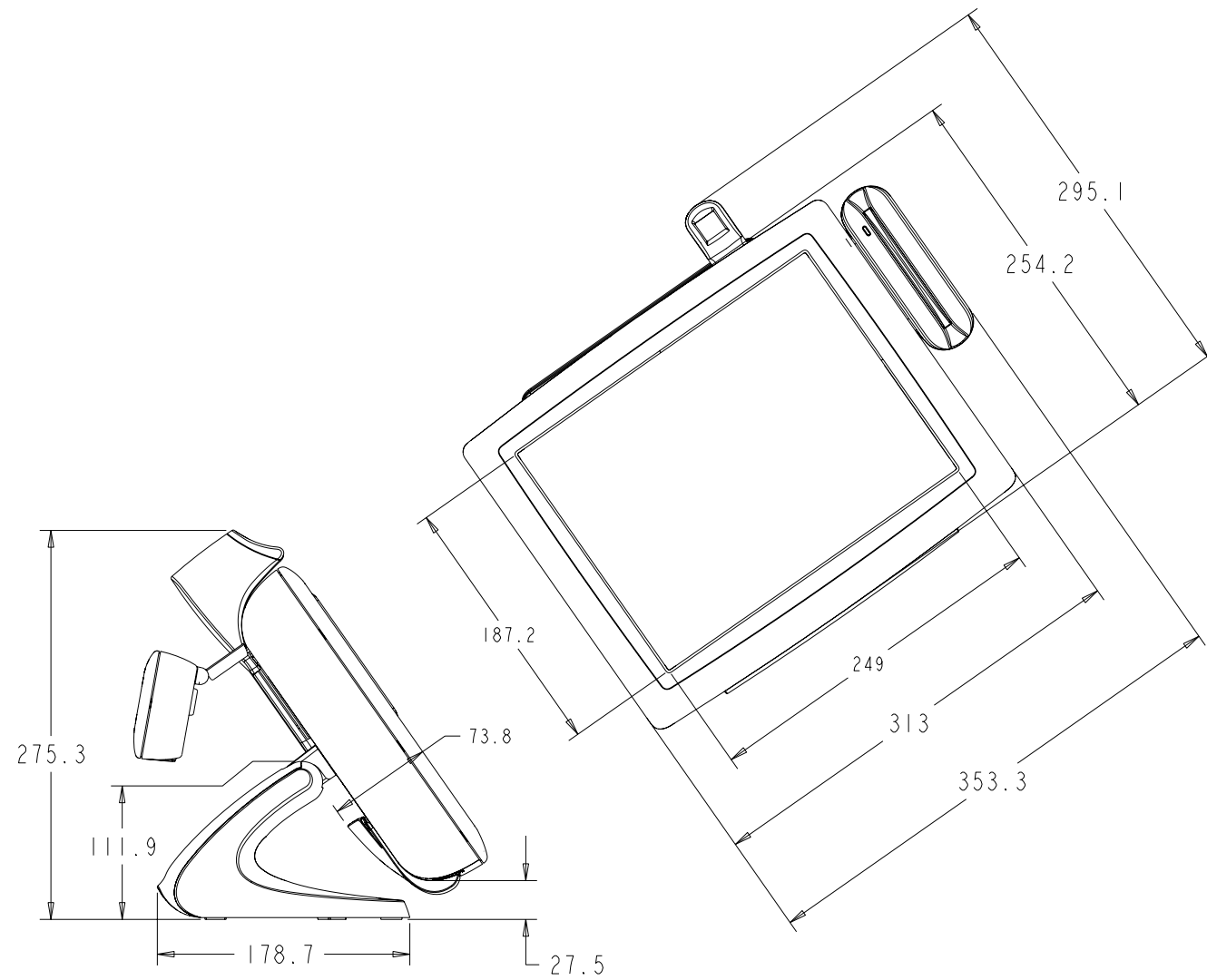
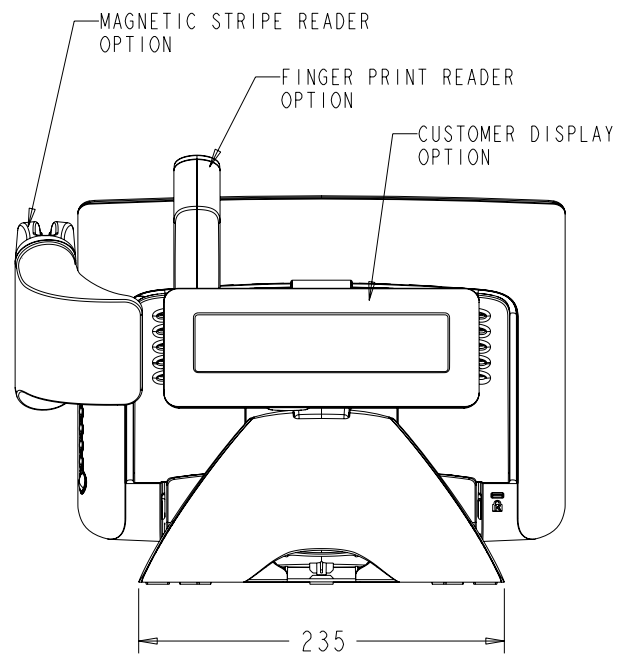


TITLE: 12.1" POS



TILT 35° FROM VERTICAL

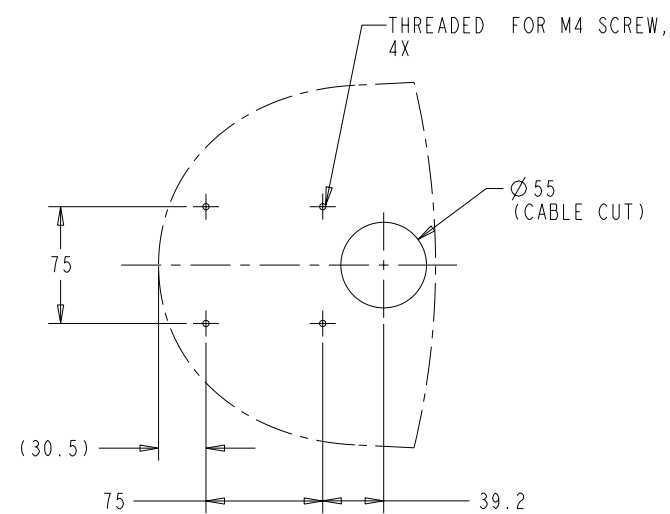
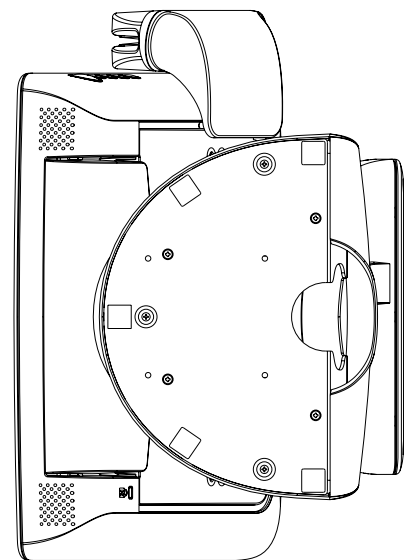
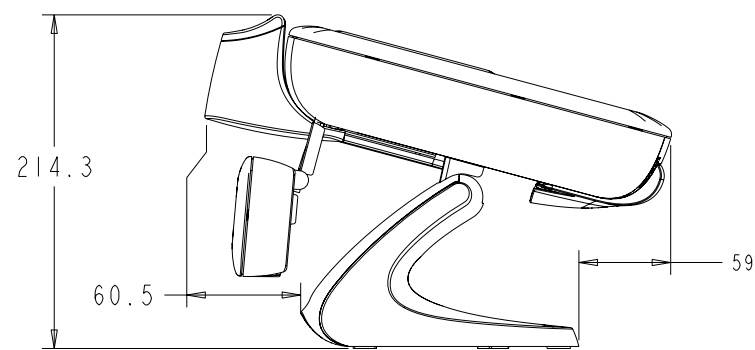


FIGURE 1: BASE MOUNTING PATTERN



TILT 75° FROM VERTICAL

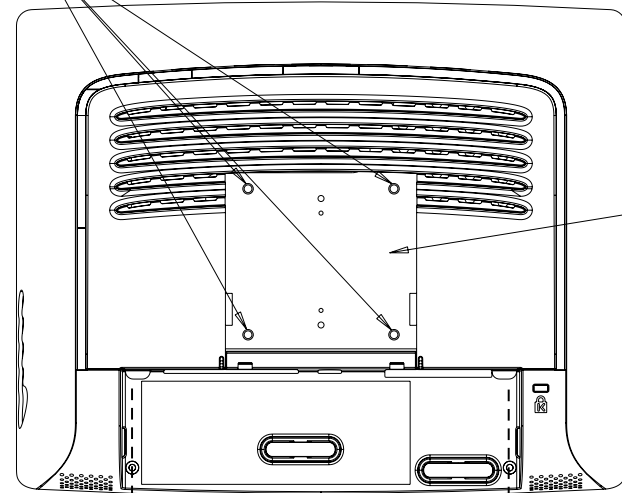
DIMENSIONS ARE IN MILLIMETERS

SHT. 1 OF 2



REMOVE THESE FOUR SCREWS
AND RETAIN FOR REASSEMBLY

FIGURE 2 : STAND AND DISPLAY SEPERATION



VESA MOUNT SURFACE
LIES 8MM BELOW PLASTIC

(BACK VIEW SHOWN WITH
STAND AND CABLE-
COVER REMOVED)

FIGURE 3: USB HUB OPTION

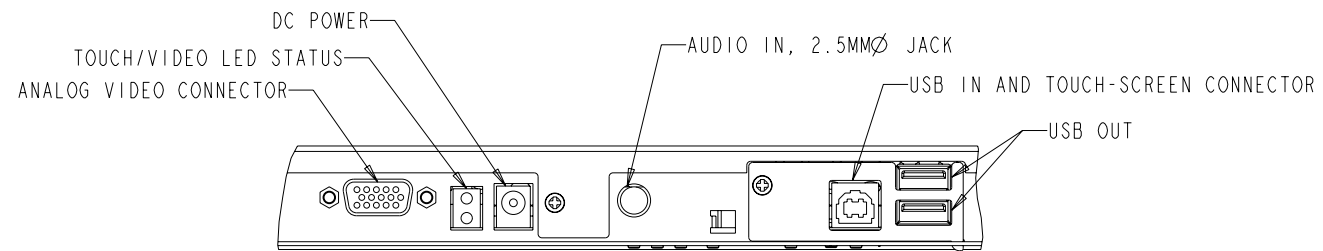


FIGURE 4: SERIAL OPTION

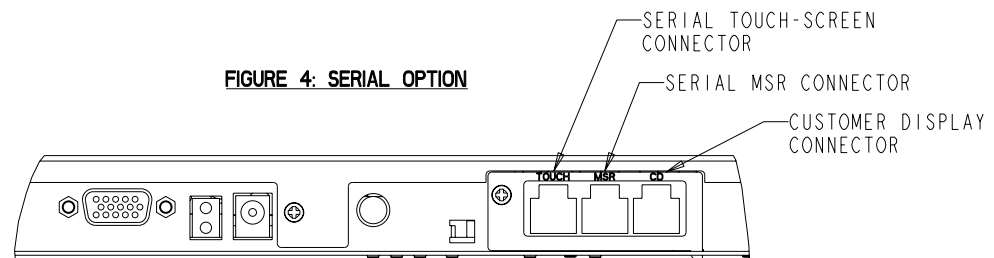
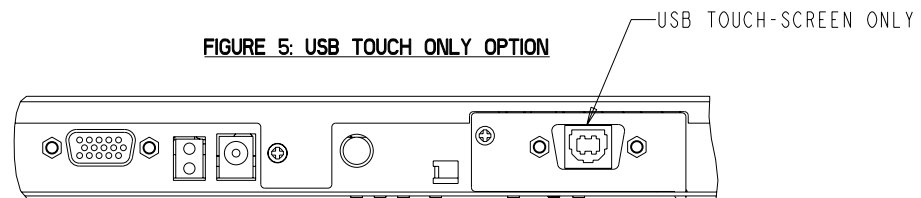
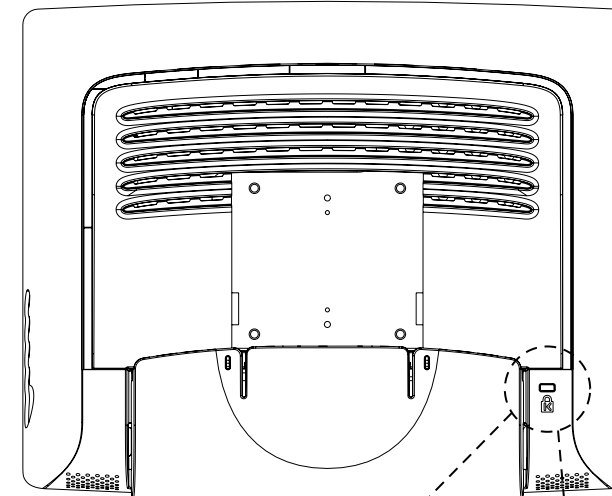


FIGURE 5: USB TOUCH ONLY OPTION

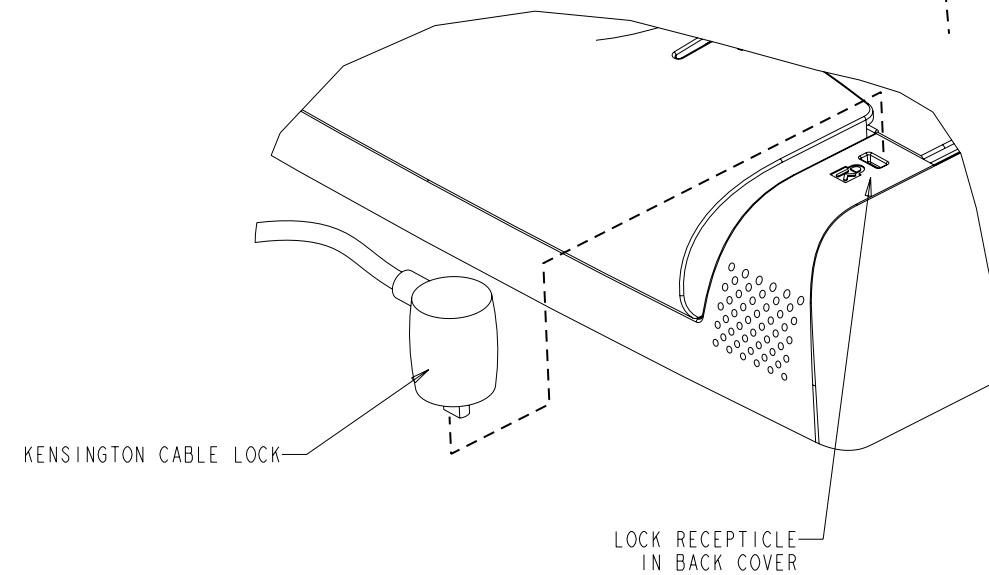


NO TOUCH OPTION ALSO AVAILABLE
(NOT SHOWN)



(BACK VIEW SHOWN
WITH STAND REMOVED)

FIGURE 6: KENSINGTON LOCK DETAIL



KENSINGTON CABLE LOCK

LOCK RECEPTICLE
IN BACK COVER