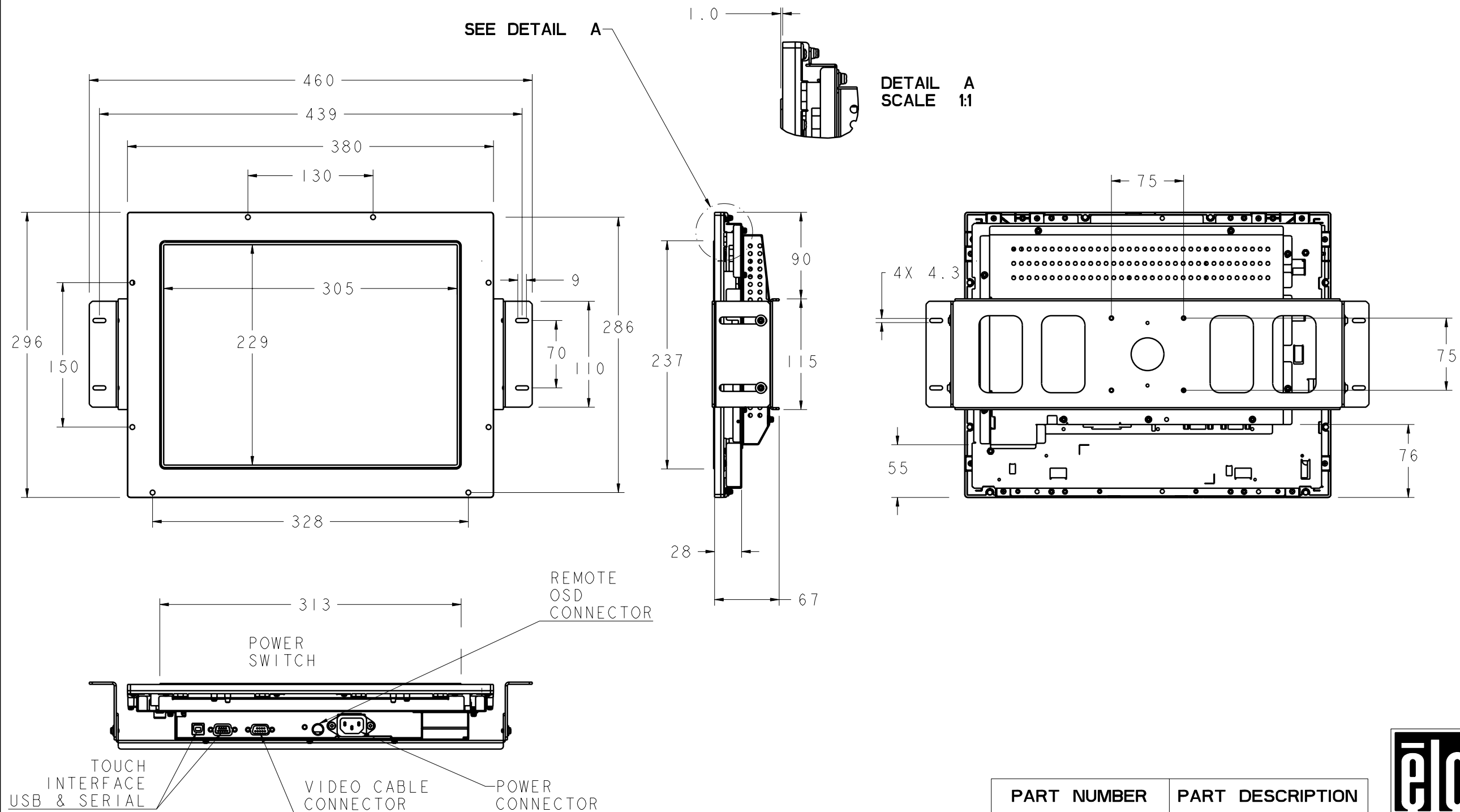


REAR MOUNT.  
MODEL ET1549L SERIES.



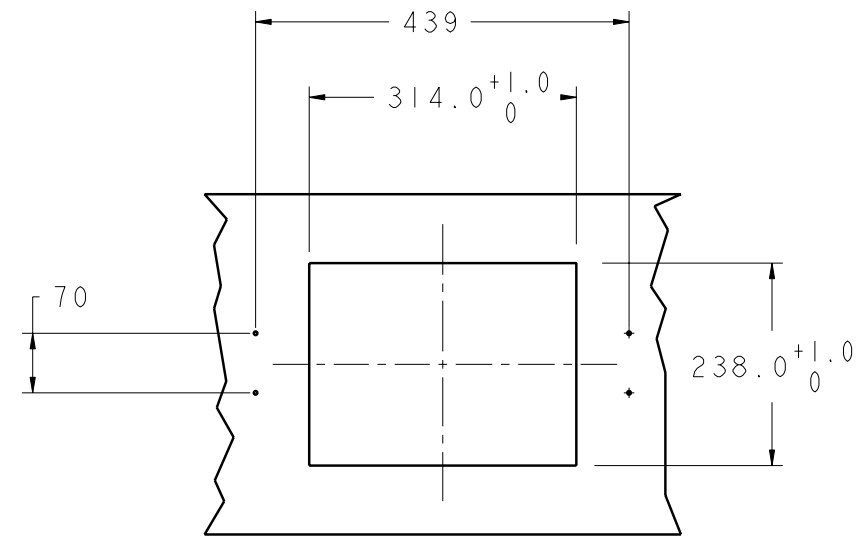
DIMENSIONS ARE IN MILLIMETERS

SHEET 1 OF 2  
SCALE 1:2

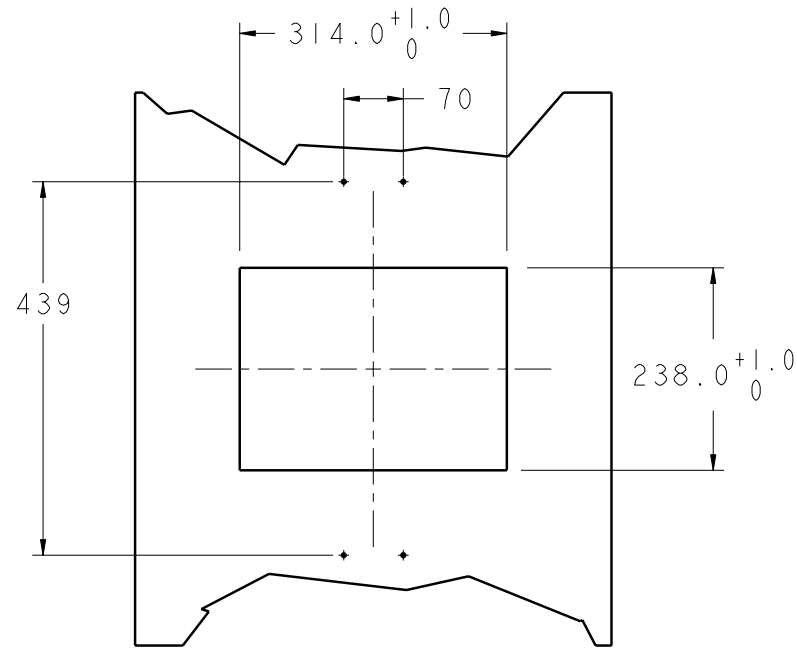
PART NUMBER	PART DESCRIPTION
E87352-000	ET1549L-8CWD-1



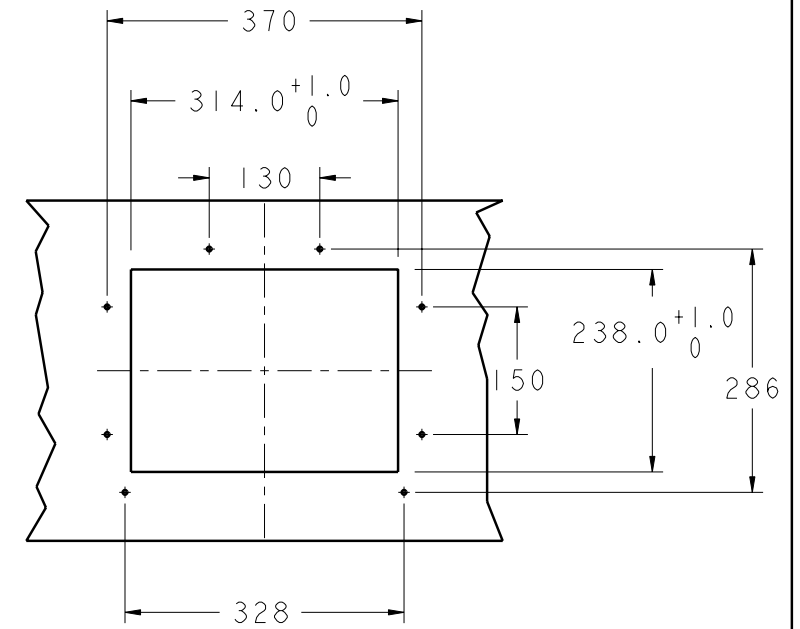
PLATE CUT OUT, REAR MOUNT.



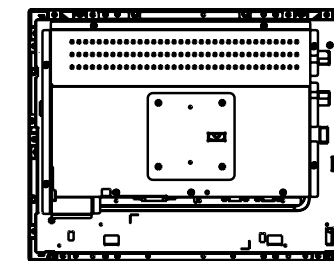
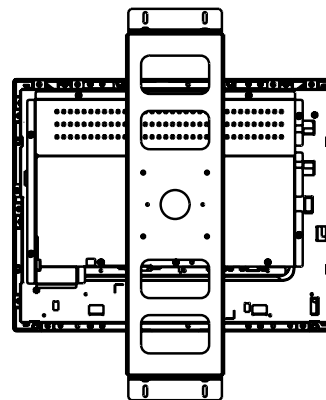
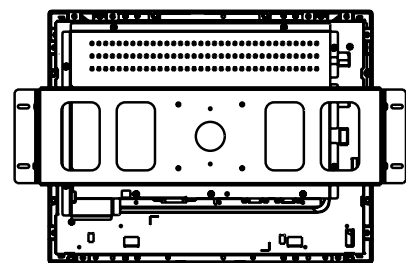
HORIZONTAL INSTALLATION



VERTICAL INSTALLATION



NO BRACKET INSTALLATION



NOTES FOR ALL MOUNTING OPTIONS:

1. ALL DRAWING CENTERS ARE THE CENTER OF VIEWABLE AREA OF LCD PANEL,
2. LCD PANEL CUTOUT DIMENSIONS IN OPTION 1 APPLIES TO ALL MOUNTING OPTIONS,
3. IF CUSTOMER KIOSK MATERIAL IS WOOD:  
4.5 mm DIA HOLES THRU FOR M4 SCREWS W/NUTS,  
OR NO THRU HOLES. SCREWS FOR WOOD 4mm DIA.
3. IF CUSTOMER KIOSK MATERIAL IS SHEET METAL:  
CONCEALED HEAD THREADED STUDS M4 W/NUTS.

NOTE:

3D FILES AVAILABLE.

DIMENSIONS ARE IN MILLIMETERS

SHEET 2 OF 2

