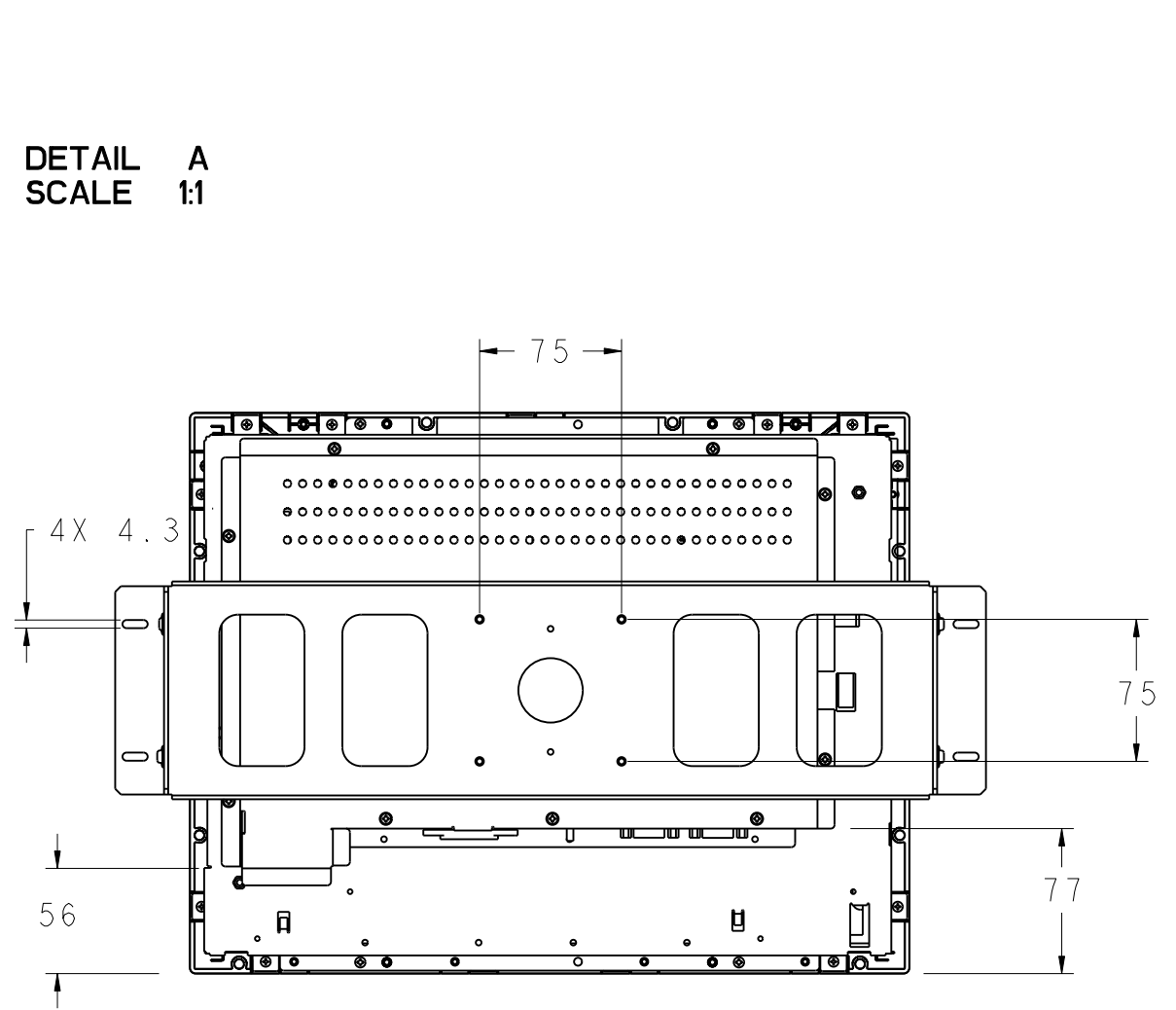
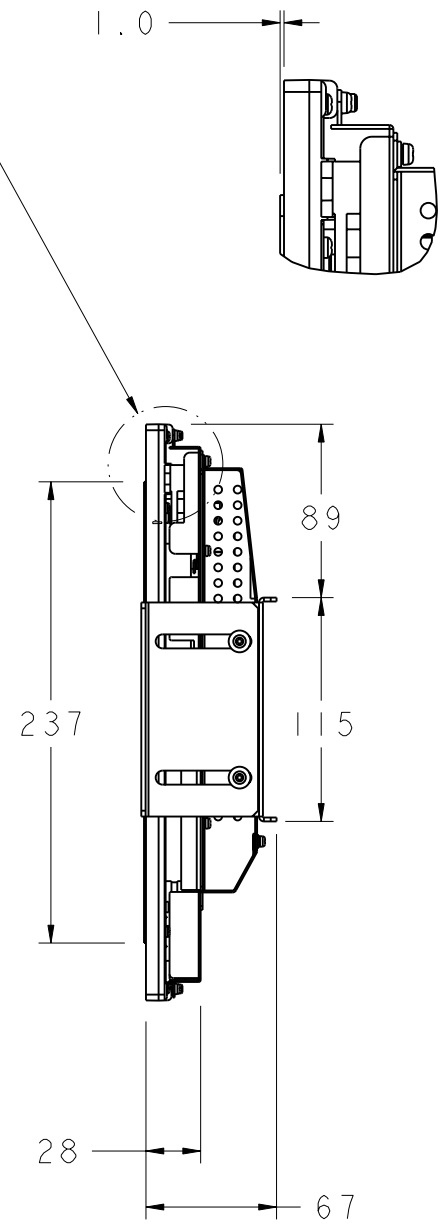
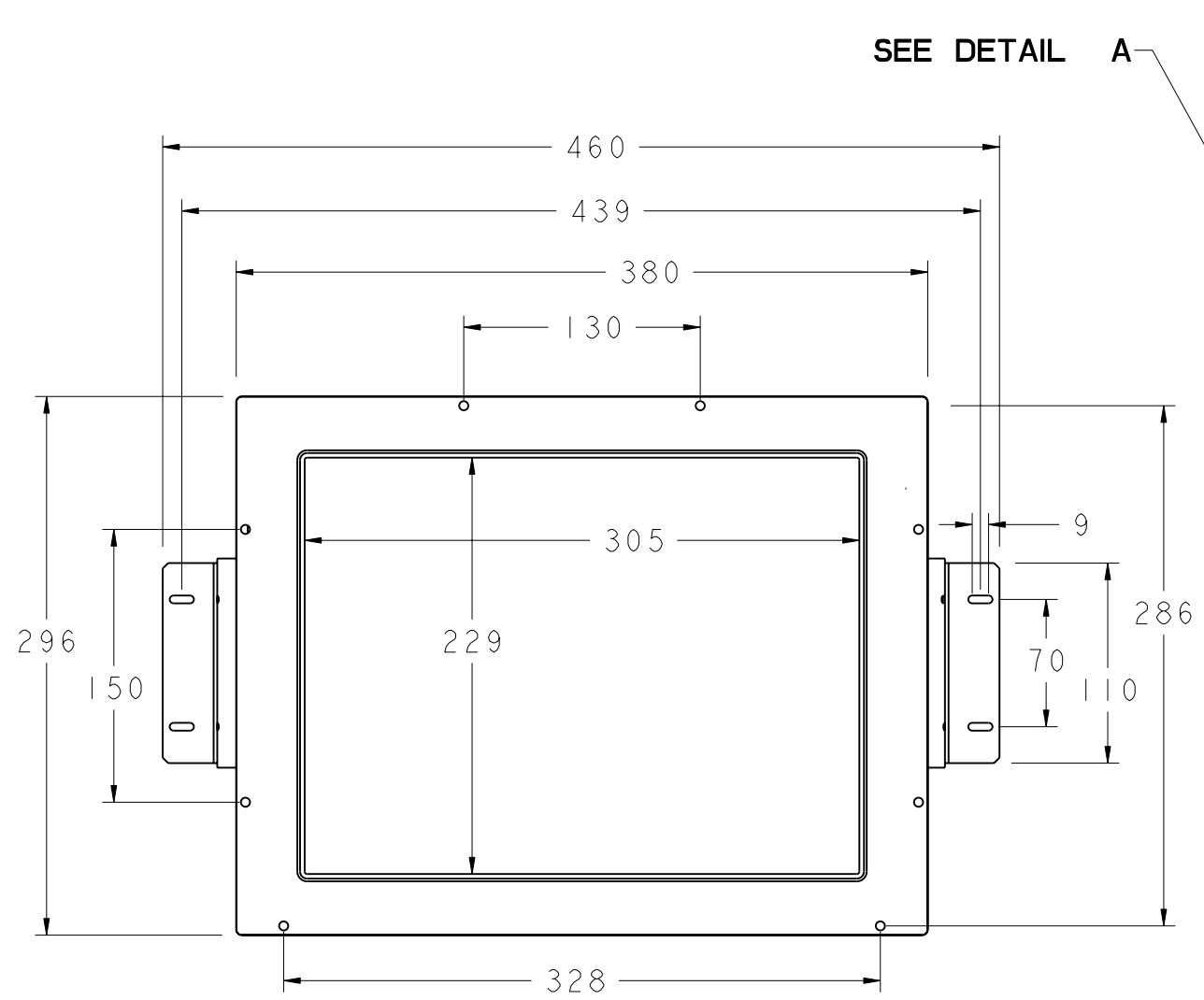
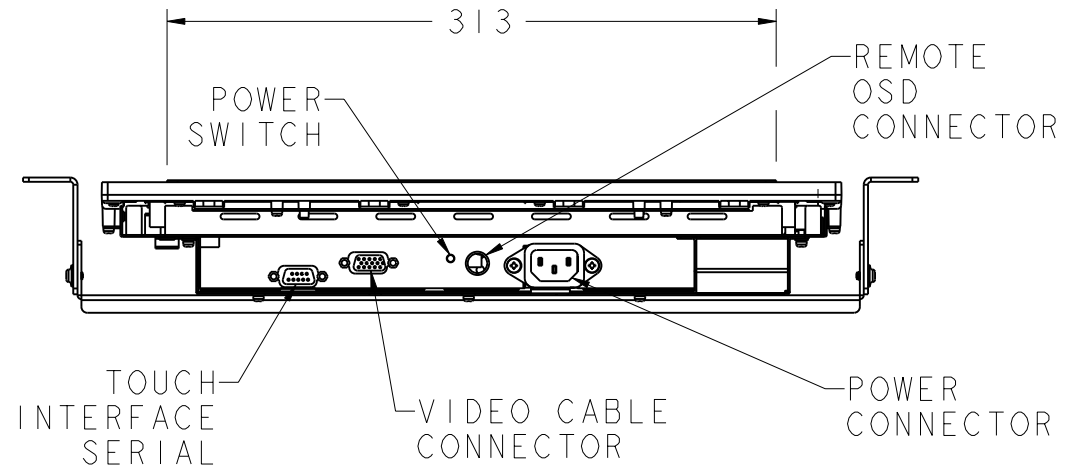


REAR MOUNT.
MODEL ET1549L SERIES.



SEE DETAIL A

DETAIL A
SCALE 1:1



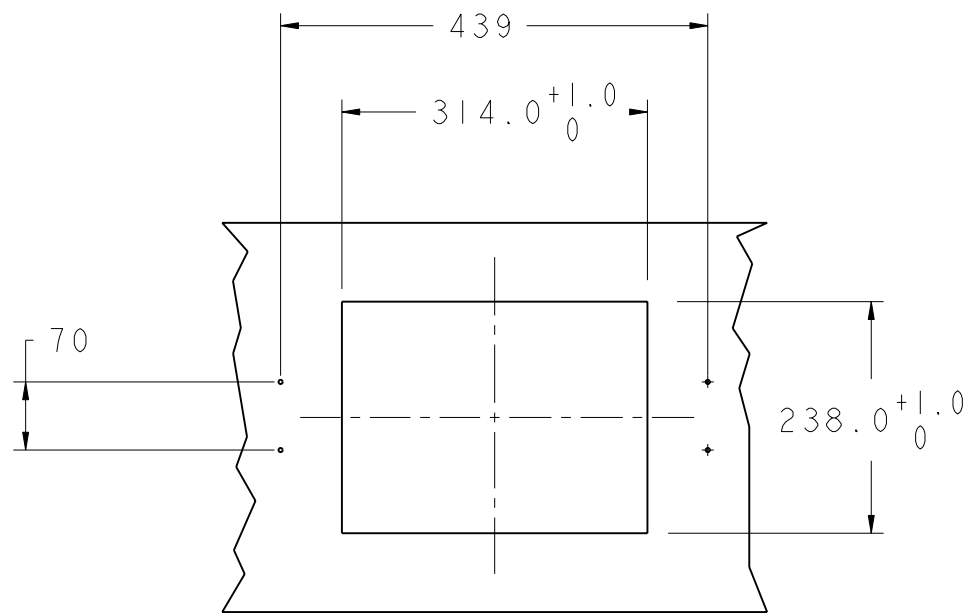
DIMENSIONS ARE IN MILLIMETERS

SHEET 1 OF 2
SCALE 1:2

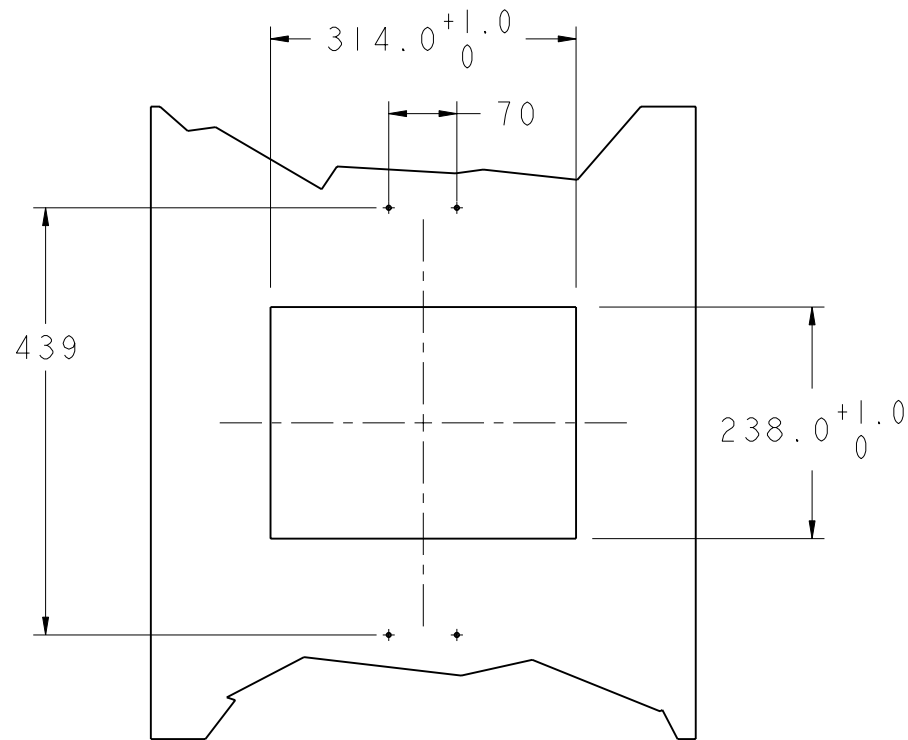
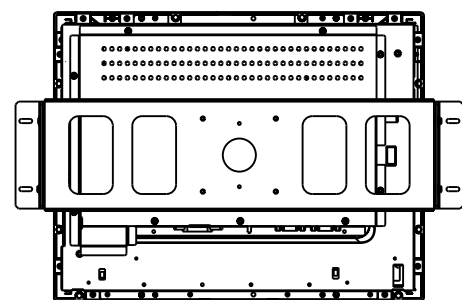
PART NUMBER	PART DESCRIPTION
C41653-000	ET1549L-8SWD-1
E87352-000	ET1549L-8UWD-1



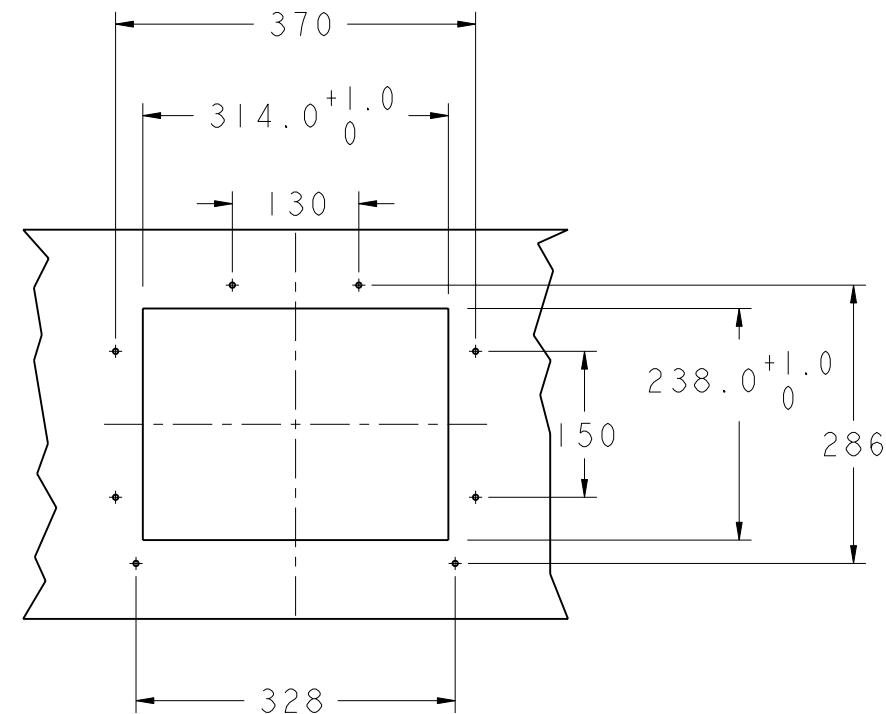
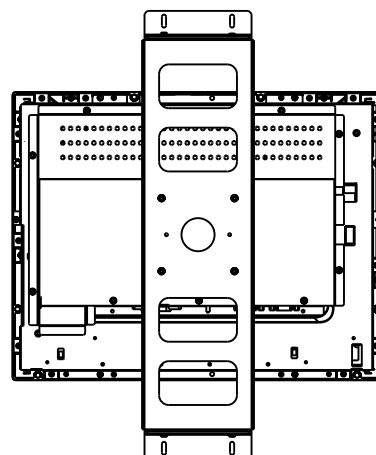
PLATE CUT OUT, REAR MOUNT.



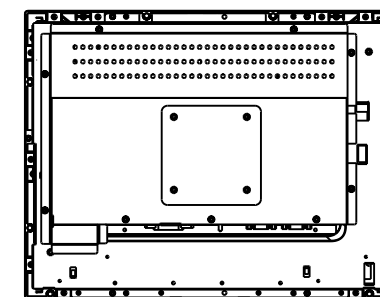
HORIZONTAL INSTALLATION



VERTICAL INSTALLATION



NO BRACKET INSTALLATION



NOTES FOR ALL MOUNTING OPTIONS:

1. ALL DRAWING CENTERS ARE THE CENTER OF VIEWABLE AREA OF LCD PANEL,
2. LCD PANEL CUTOUT DIMENSIONS IN OPTION 1 APPLIES TO ALL MOUNTING OPTIONS,
3. IF CUSTOMER KIOSK MATERIAL IS WOOD:
4.5 mm DIA HOLES THRU FOR M4 SCREWS W/NUTS,
OR NO THRU HOLES. SCREWS FOR WOOD 4mm DIA.
3. IF CUSTOMER KIOSK MATERIAL IS SHEET METAL:
CONCEALED HEAD THREADED STUDS M4 W/NUTS.

DIMENSIONS ARE IN MILLIMETERS

NOTE:

3D FILES AVAILABLE.

