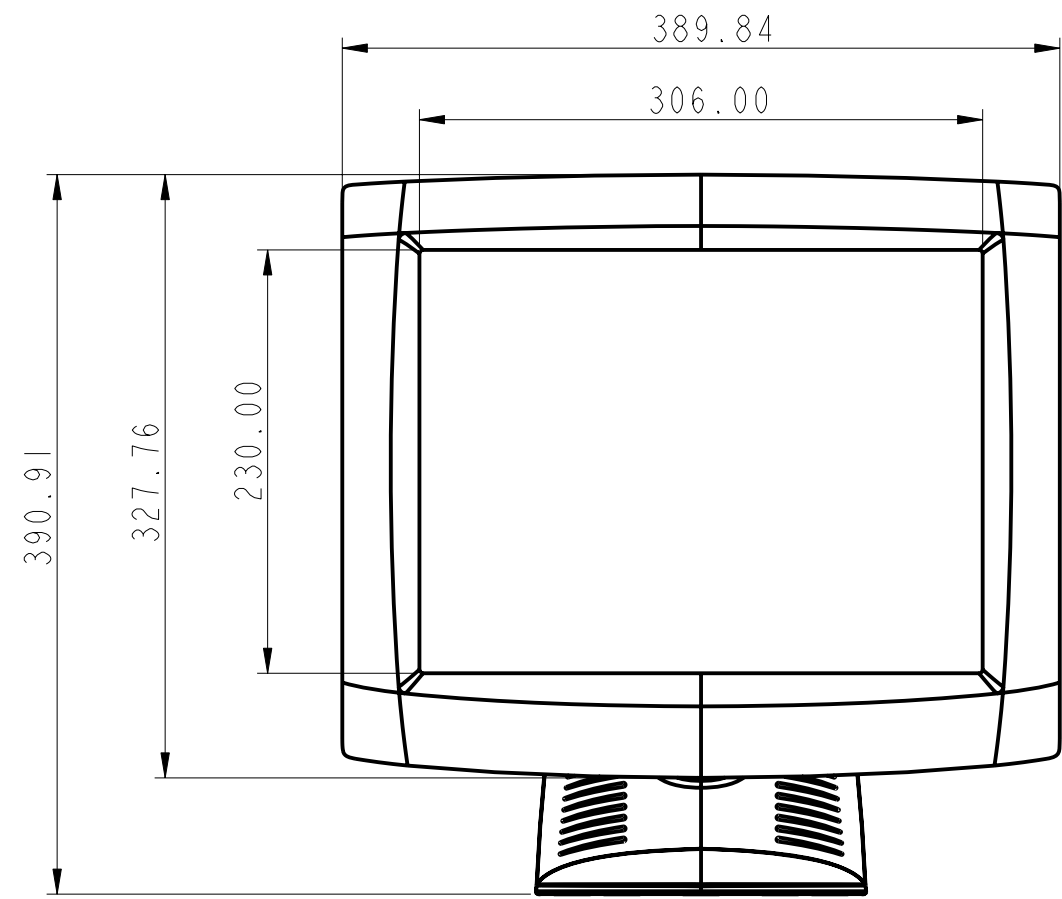
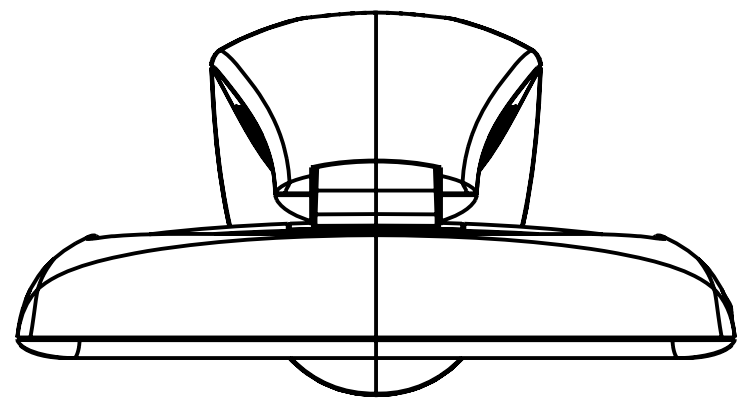
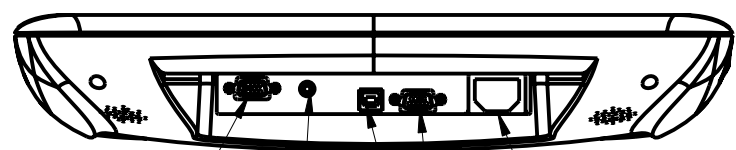
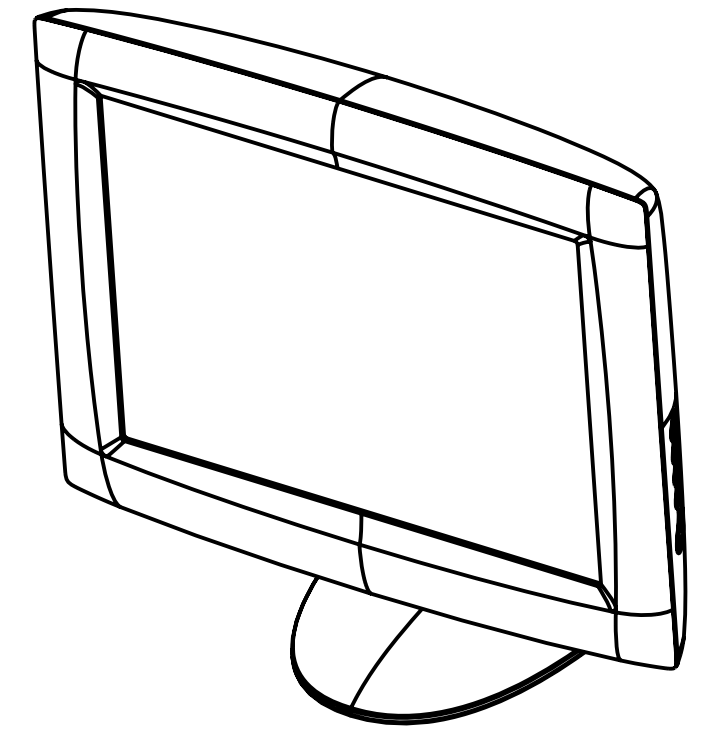
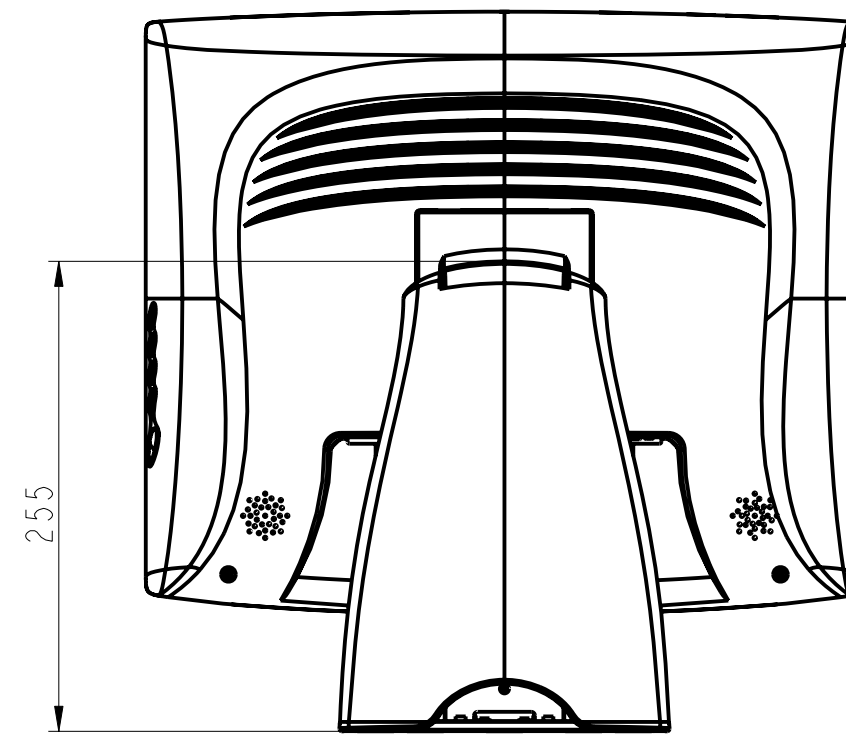
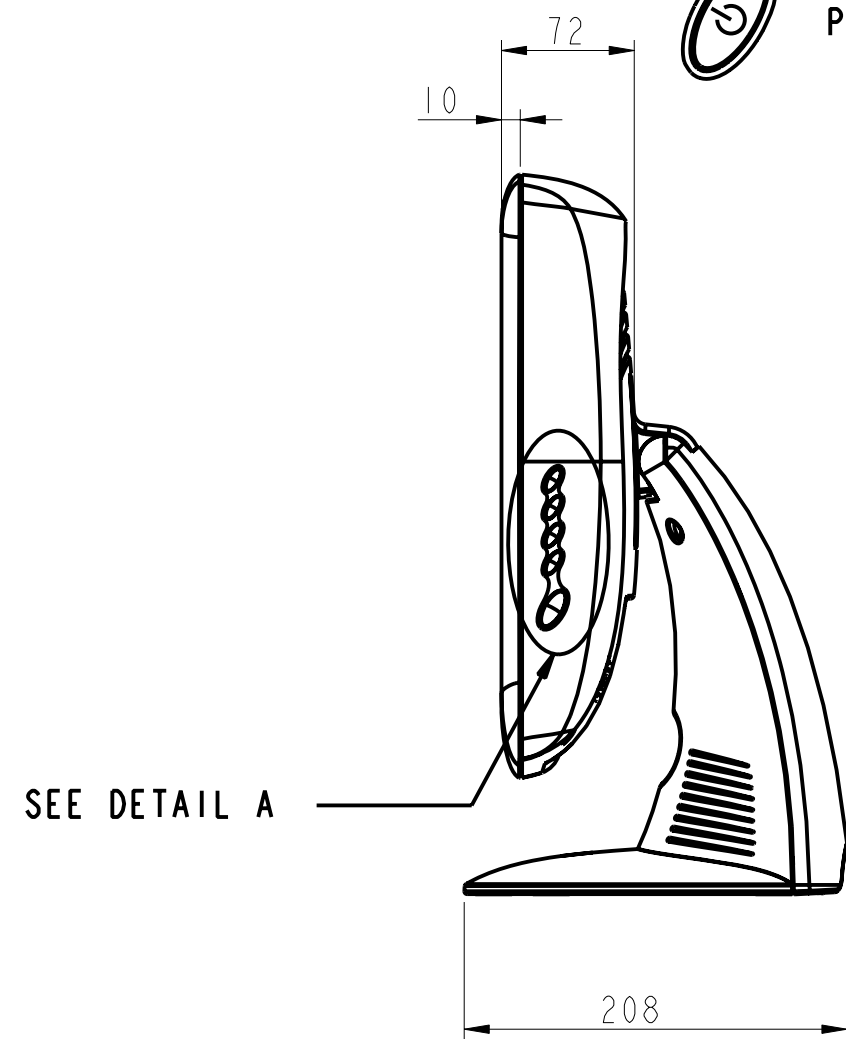
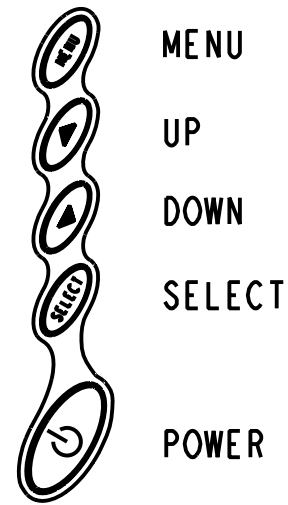


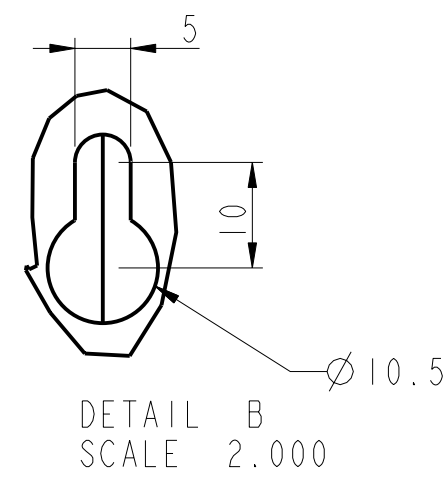
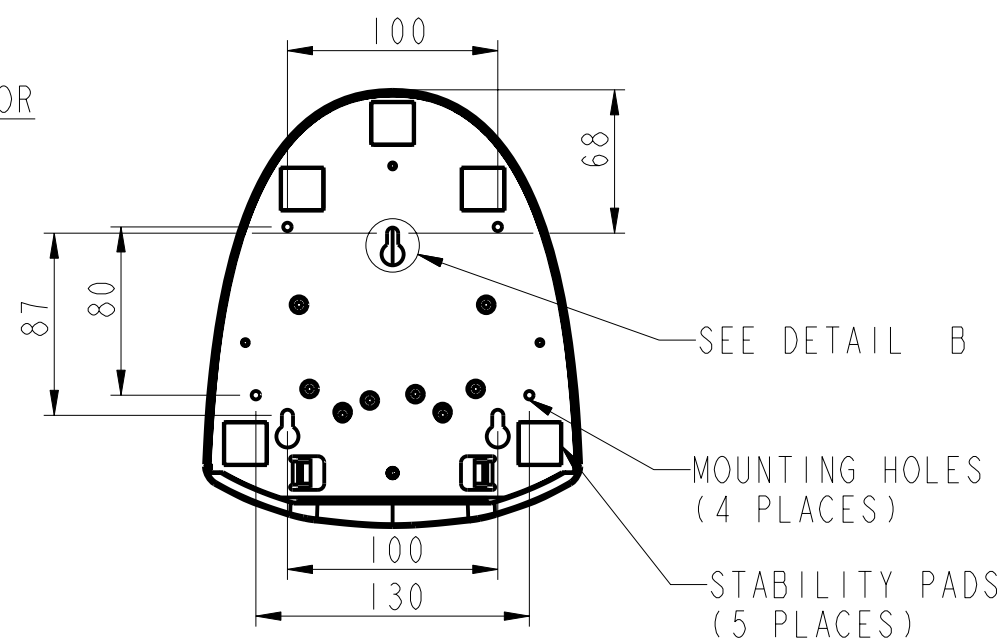
ET1525/27L LCD MONITORS



DETAIL A



VIDEO CABLE CONNECTOR
 AUDIO CONNECTOR
 POWER CONNECTOR
 TOUCH INTERFACE
 USB & SERIAL



DETAIL B
 SCALE 2.000

DIMENSIONS ARE IN MILLIMETERS/INCHES

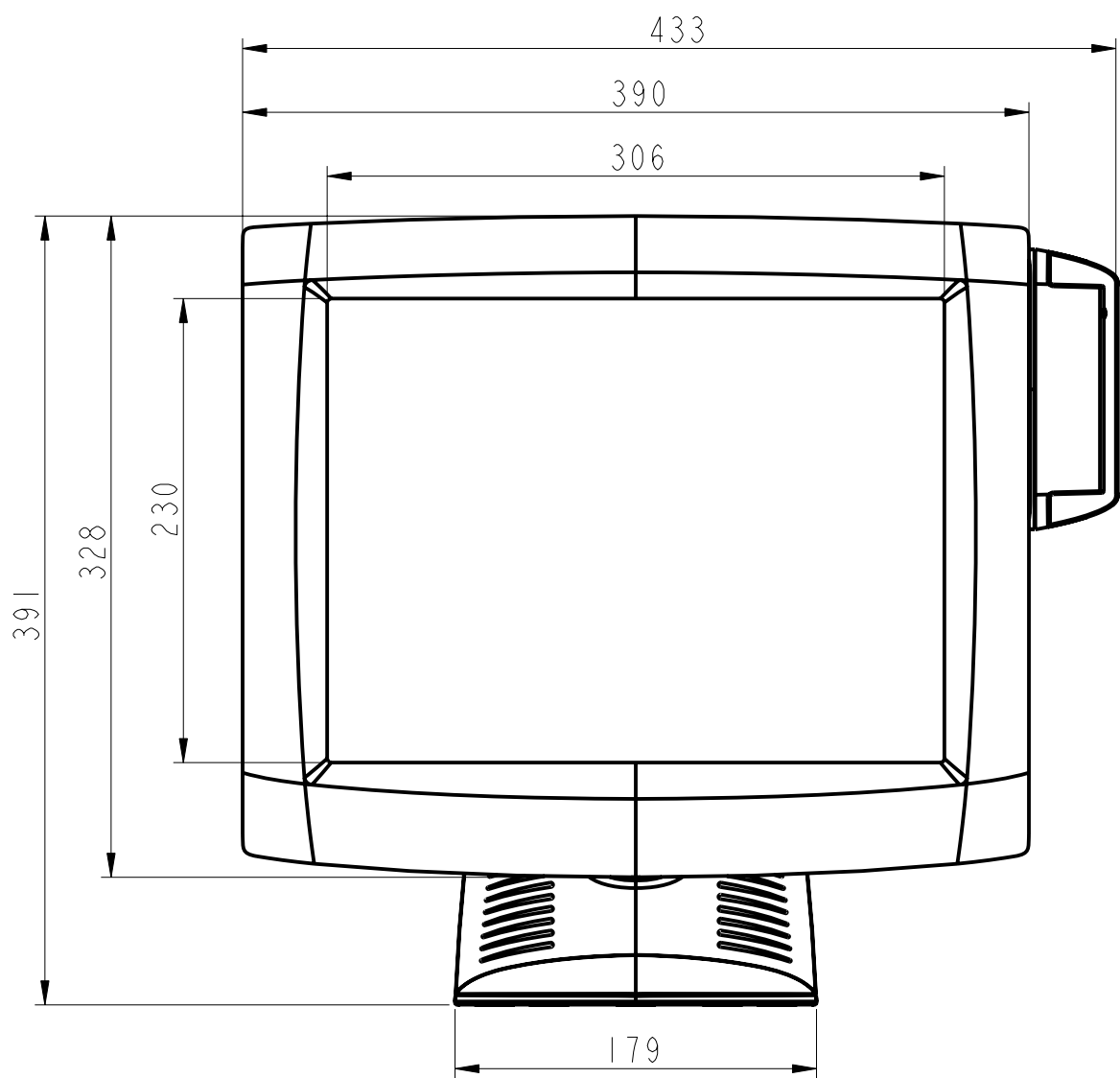
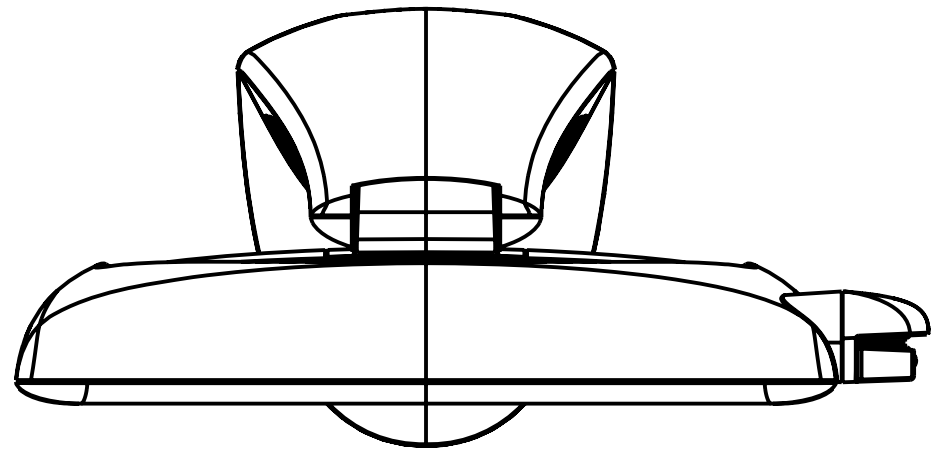
PAGE 1 OF 2

PART NUMBER	DESCRIPTION
293930-000	ET1525L-0NWC-1
F41115-000	ET1525L-3CWC-1
726256-000	ET1525L-8CWC-1
947098-000	ET1525L-7CWC-1
F91950-000	ET1525L-9SWC-1
A62620-000	ET1525L-9UWC-1
E53130-000	ET1525L-7CWC-1-NL
267912-000	ET1525L-8CWC-1-NL
407948-000	ET1527L-0NWC-1
D62208-000	ET1527L-7CWC-1
C57667-000	ET1527L-8CWC-1
C11653-000	ET1527L-8CWC-1-NL
C36469-000	ET1527L-7CWC-1-NL

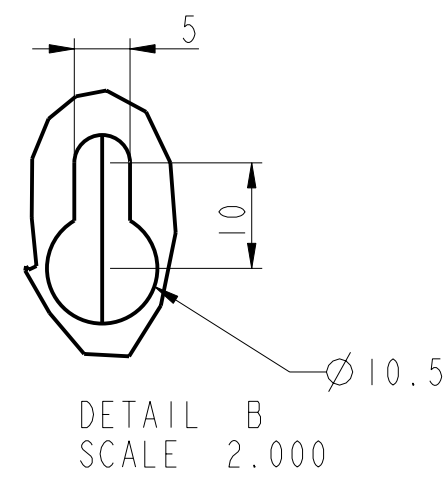
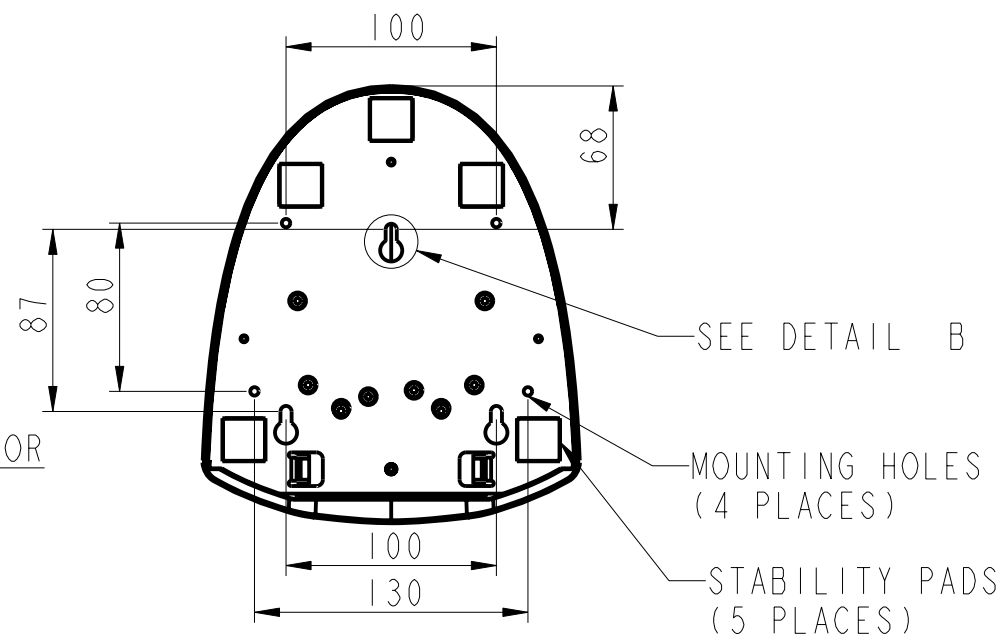
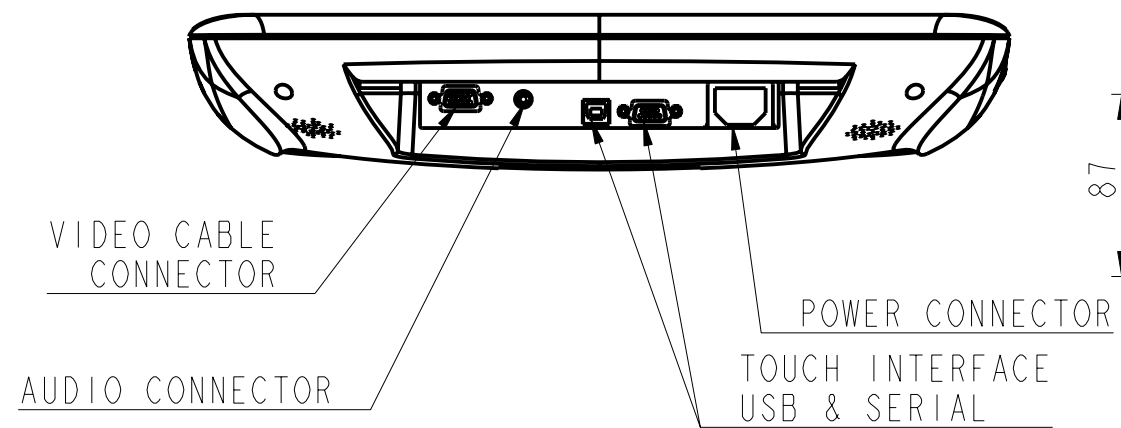
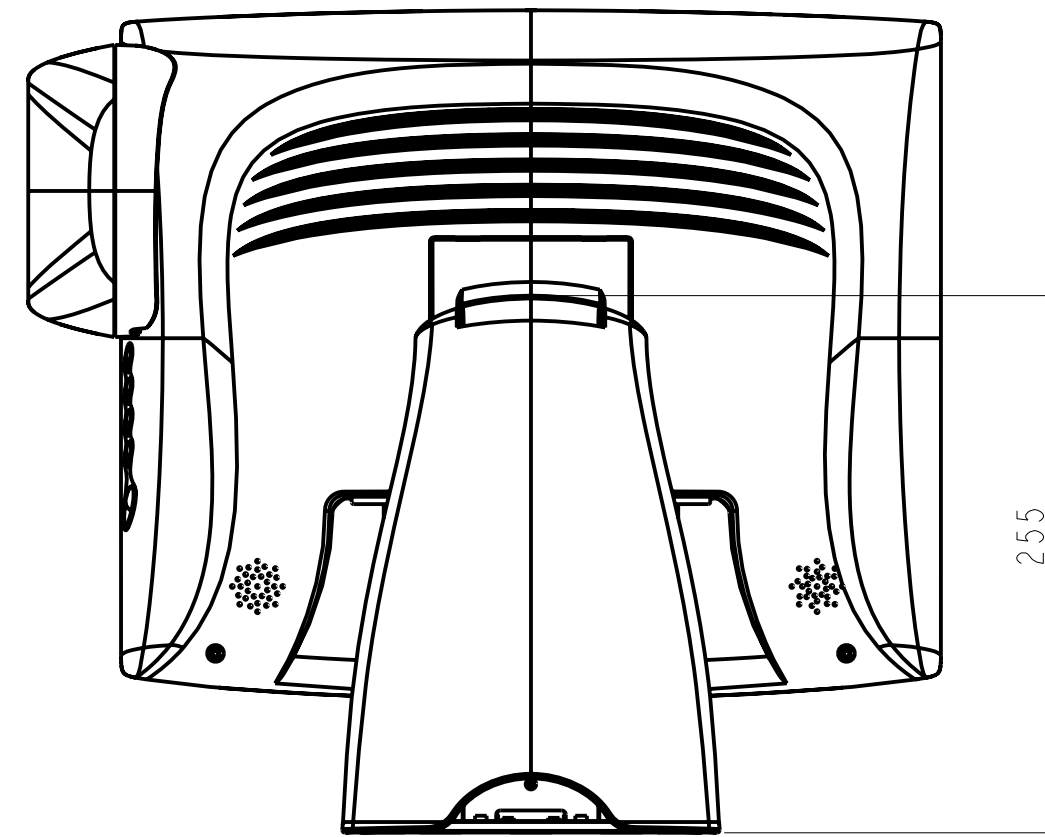
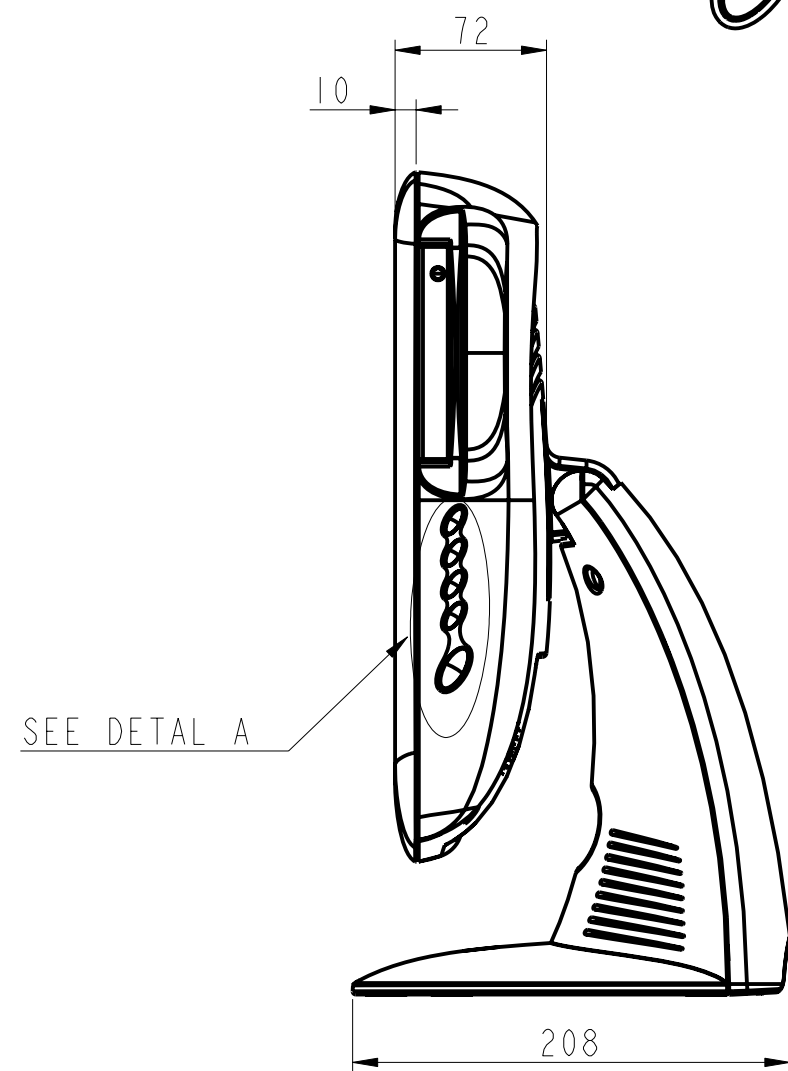
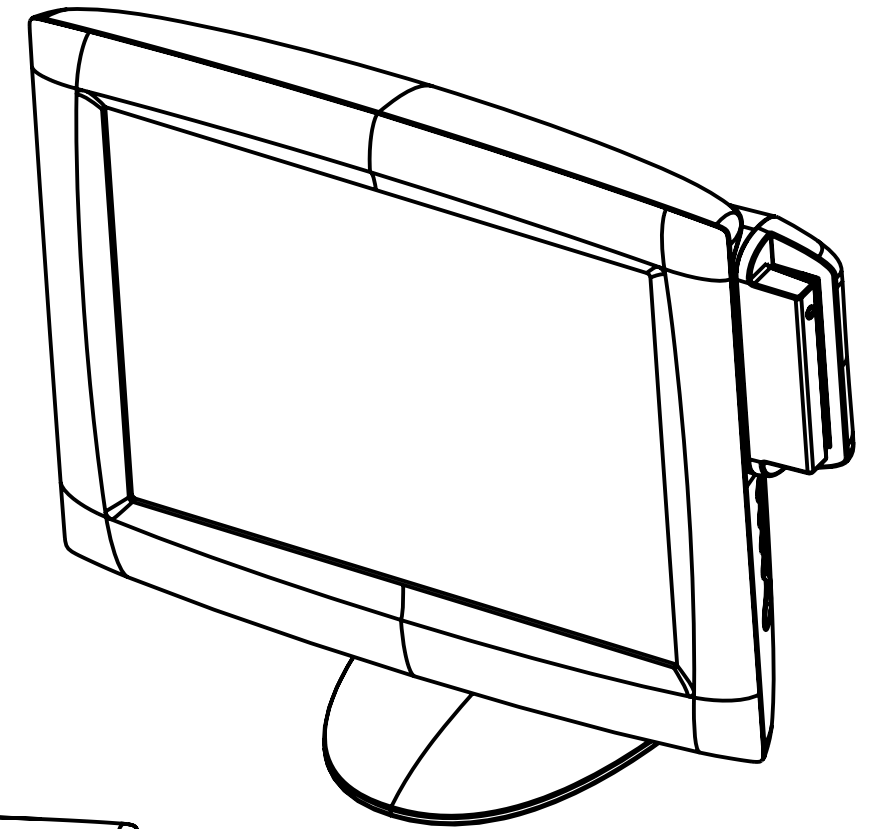
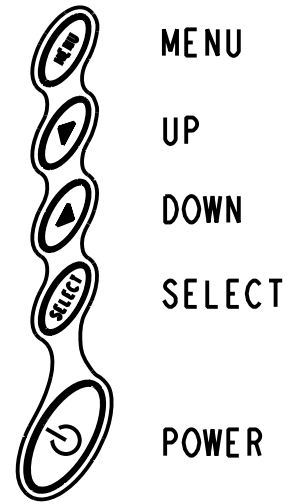


MS500330
 DATE: 11.21.05
 REV: F

ET1525L LCD MONITOR WITH MSR OPTION



DETAIL A



PART NUMBER	DESCRIPTION
A40174-000	ET1525L-7SWC-I-MSR
I39882-000	ET1525L-7UWC-I-MSR
D71579-000	ET1525L-7UWC-I-MSRKB
A85238-000	ET1525L-8SWC-I-MSR
A85217-000	ET1525L-8UWC-I-MSR
E74617-000	ET1525L-8UWC-I-MSRKB
D57925-000	ET1525L-9UWC-I-MSR
D36885-000	ET1525L-9UWC-I-MSRKB

DIMENSIONS ARE IN MILLIMETERS/INCHES



MS500330
DATE: 11.21.05
REV: F