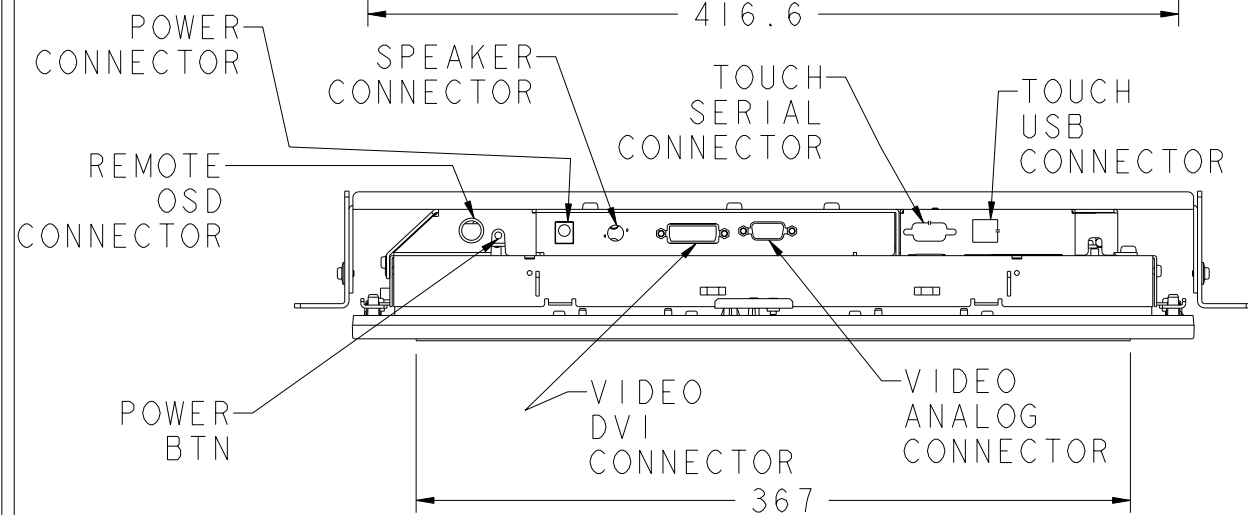
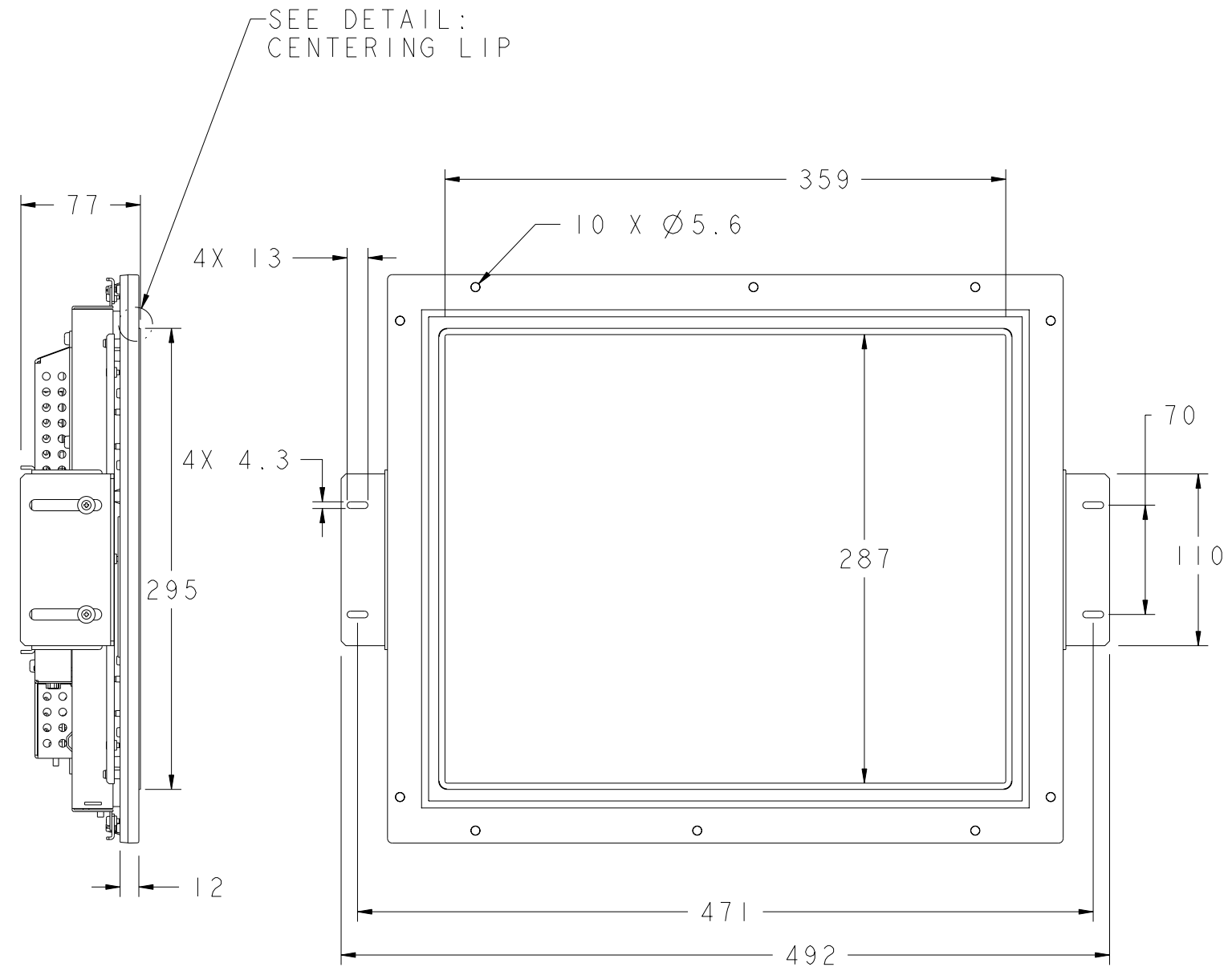
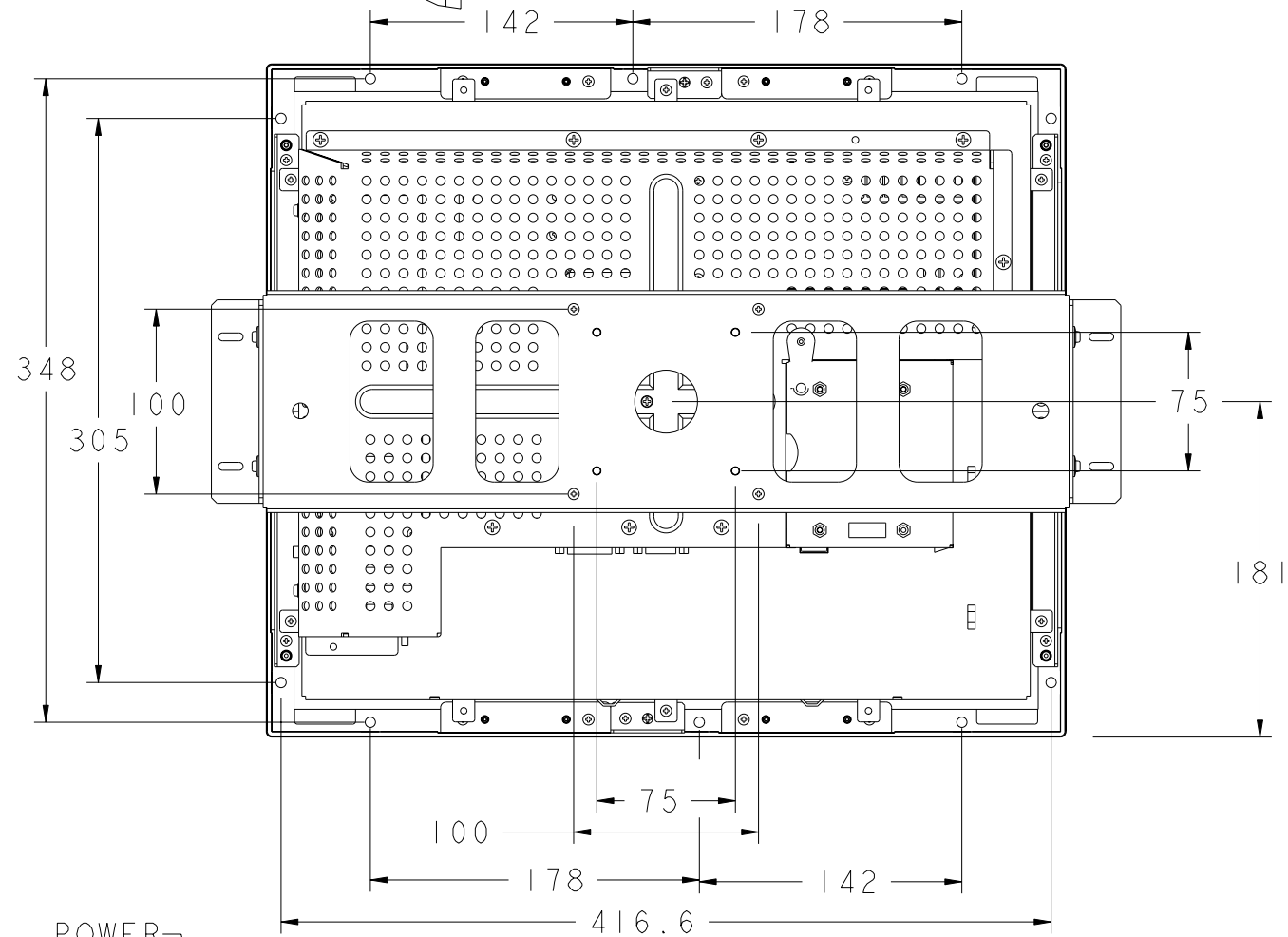


**ET1847L SERIES
REAR MOUNT KIOSK**



NOTES:

1. P/N 819602-000 FRONT/PANEL MOUNT BEZEL WITH ELO MONITOR (SEE SHT. 3 OF 3), SHIPPED SEPARATELY (SEE TABLE).
2. 3D CAD FILES AVAILABLE.

**SHT. 1 OF 4
SCALE: 1:2**

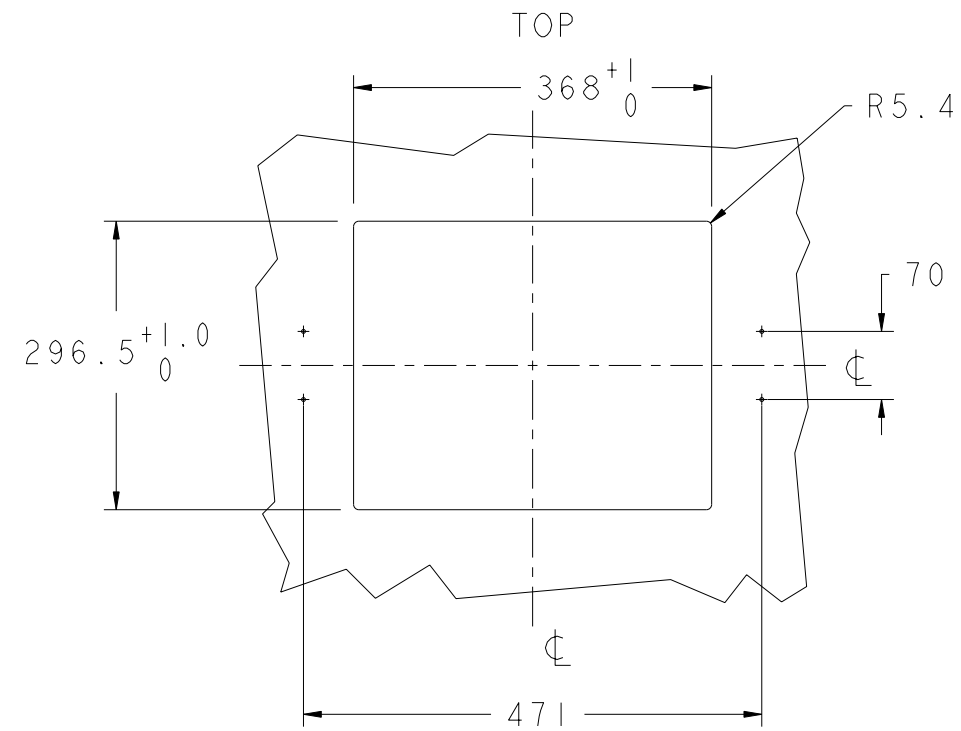
DIMENSIONS ARE IN MILLIMETERS

FRONT/PANEL MOUNT BEZEL

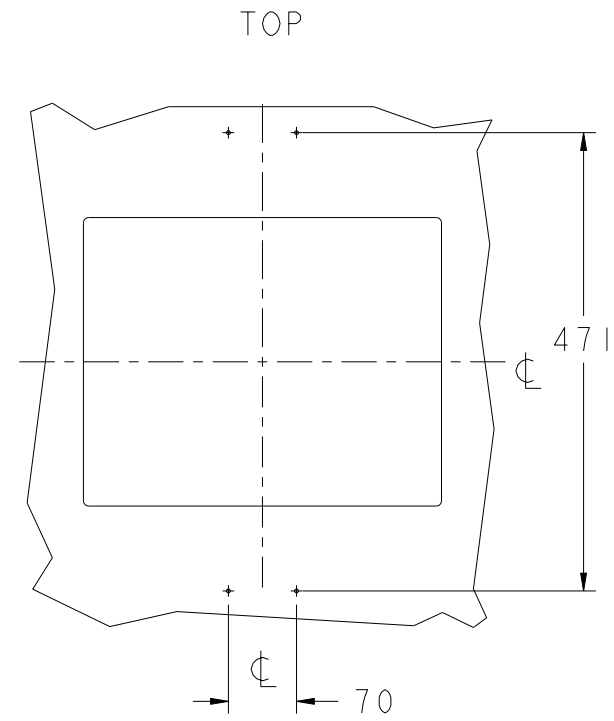
	PIP PART NUMBER	PIP DESCRIPTION
MONITOR	E47366-000	ET1847L-7SWB-1
	D60952-000	ET1847L-7UWB-1
	A61734-000	ET1847L-8SWB-1
	A81302-000	ET1847L-8UWB-1
	819602-000	BEZ-1867MODULAR-LCD



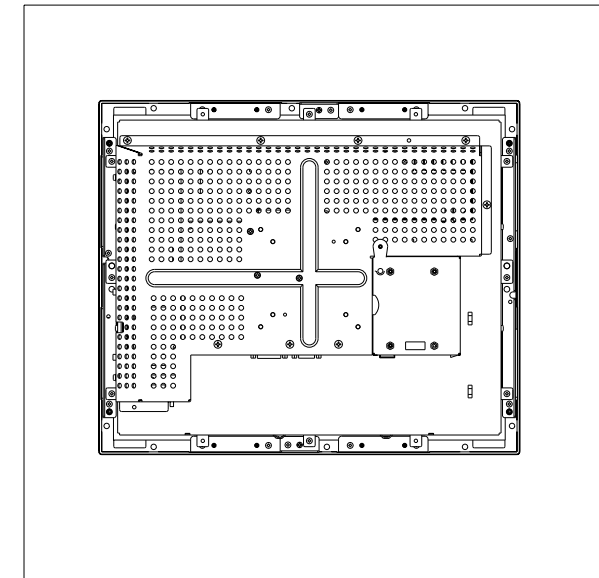
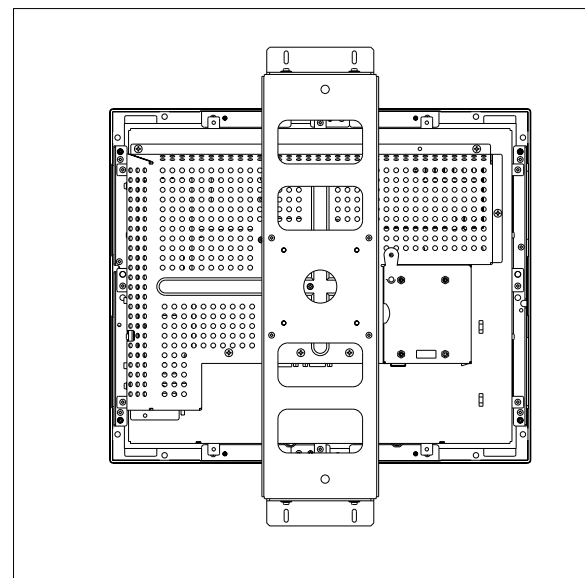
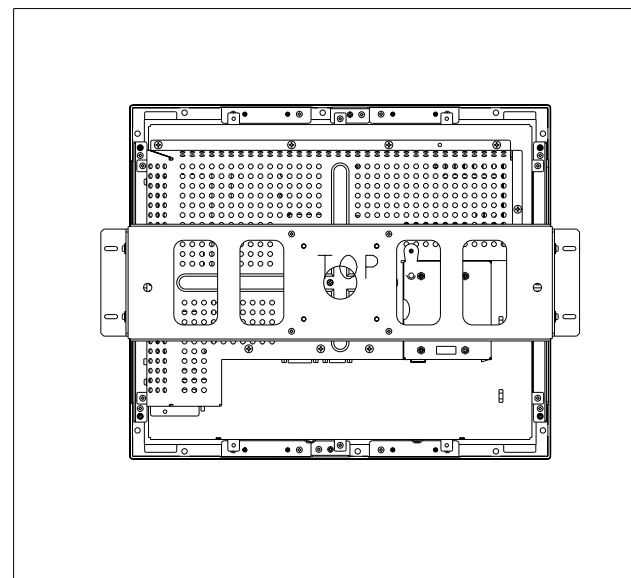
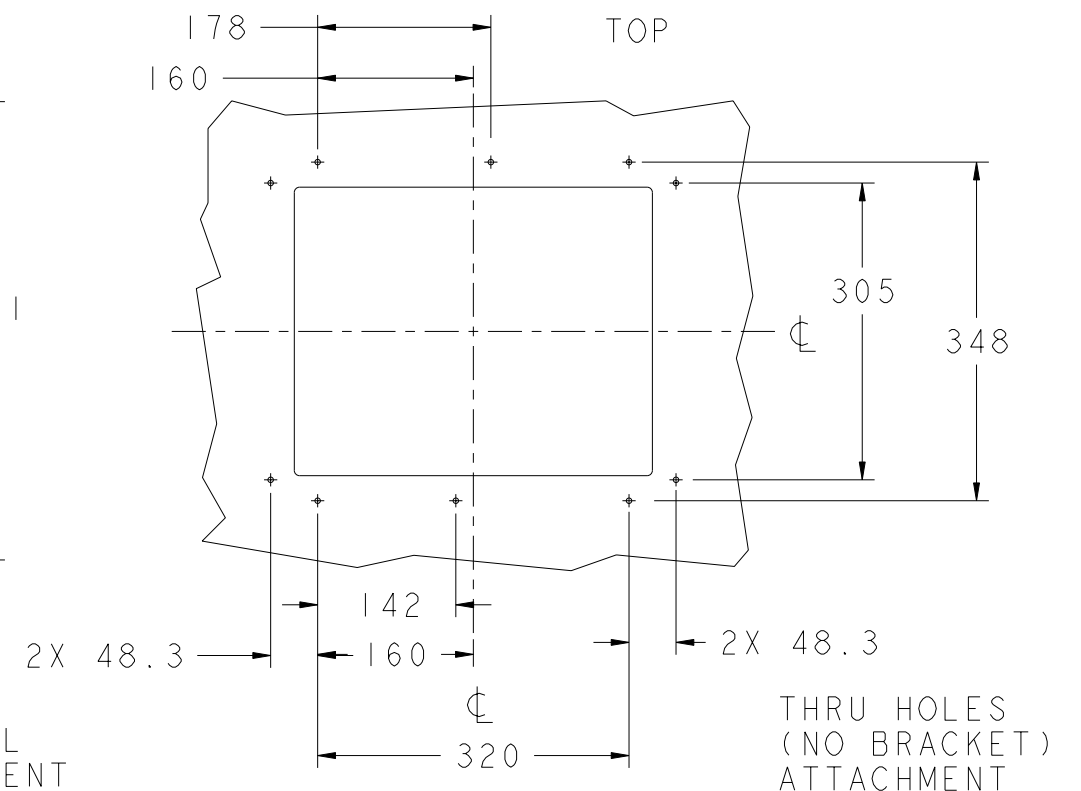
**CUSTOMER PANEL,
REAR MOUNTING OPTION**



HORIZONTAL
ATTACHMENT



VERTICAL
ATTACHMENT



NOTES FOR ALL MOUNTING OPTIONS:

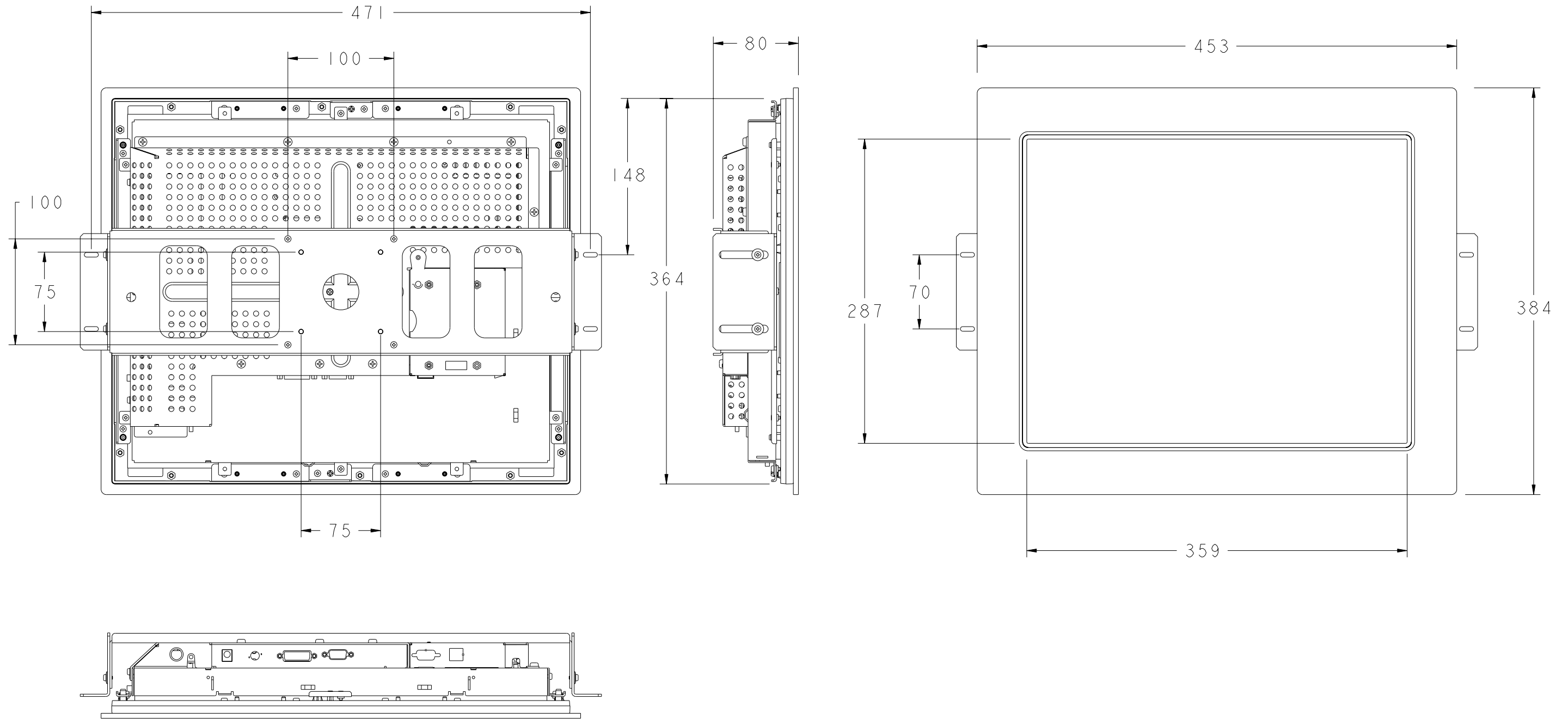
1. ALL DRAWING CENTERS ARE THE CENTER OF VIEWABLE AREA OF LCD PANEL,
2. LCD PANEL CUTOUT DIMENSIONS IN OPTION 1 APPLIES TO ALL MOUNTING OPTIONS,
3. IF CUSTOMER KIOSK MATERIAL IS WOOD:
Ø4.5 HOLES THRU FOR M4 SCREWS W/NUTS,
OR NO THRU HOLES . SCREWS FOR WOOD Ø4.
4. IF CUSTOMER KIOSK MATERIAL IS SHEET METAL:
CONCEALED HEAD THREADED STUDS M4 W/NUTS.

DIMENSIONS ARE IN MILLIMETERS

SHT. 2 OF 4
SCALE: 1 : 4



ET1867L SERIES
FRONT/PANEL MOUNT KIOSK

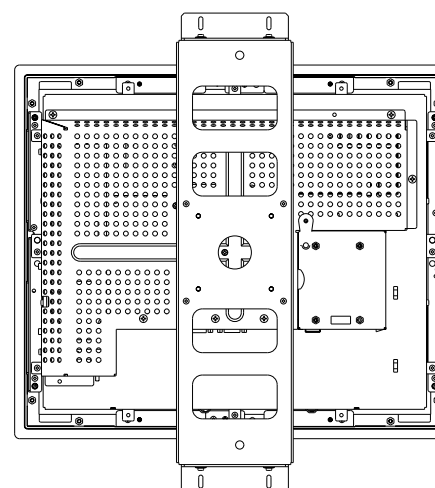
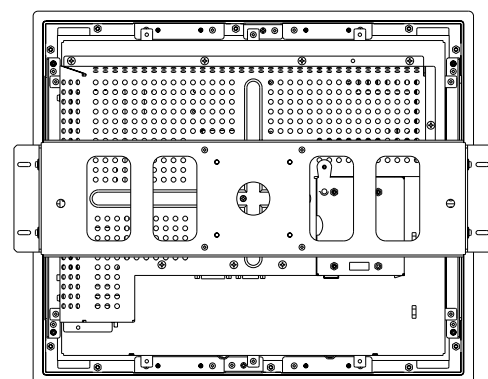
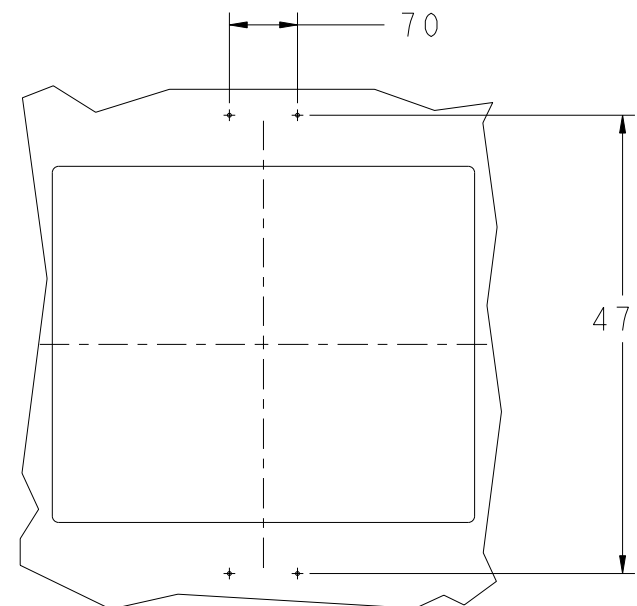
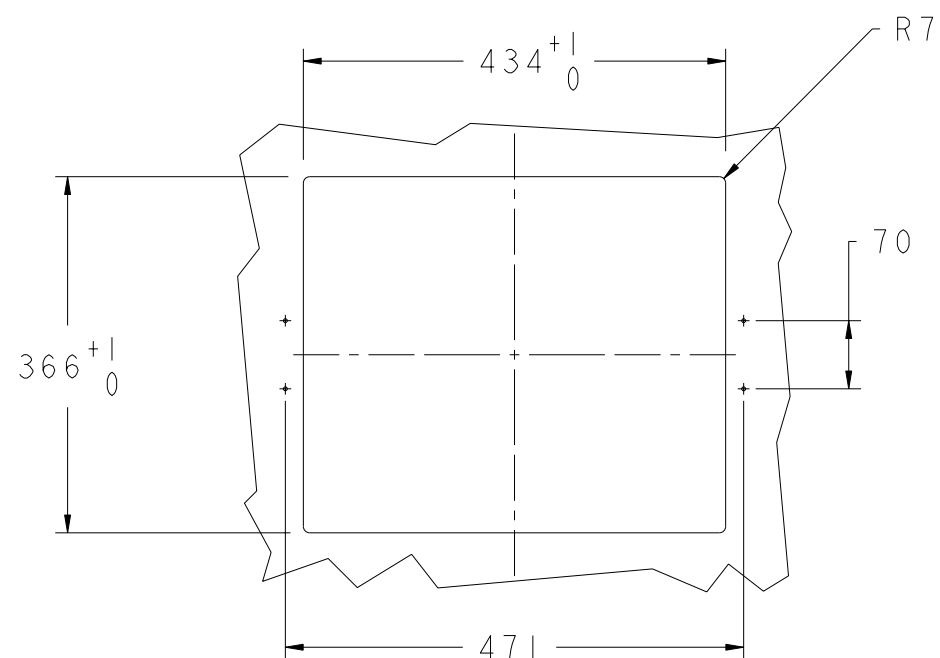


DIMENSIONS ARE IN MILLIMETERS

SHT. 3 OF 4
SCALE: 1:2



**CUSTOMER PANEL,
FRONT MOUNTING OPTION**



NOTES FOR ALL MOUNTING OPTIONS:

1. ALL DRAWING CENTERS ARE THE CENTER OF VIEWABLE AREA OF LCD PANEL,
2. LCD PANEL CUTOUT DIMENSIONS IN OPTION 1 APPLIES TO ALL MOUNTING OPTIONS,
3. IF CUSTOMER KIOSK MATERIAL IS WOOD:
Ø4.5 HOLES THRU FOR M4 SCREWS W/NUTS,
OR NO THRU HOLES . SCREWS FOR WOOD Ø4.
4. IF CUSTOMER KIOSK MATERIAL IS SHEET METAL:
CONCEALED HEAD THREADED STUDS M4 W/NUTS.

DIMENSIONS ARE IN MILLIMETERS

**SHT.4 OF 4
SCALE: 1:4**

