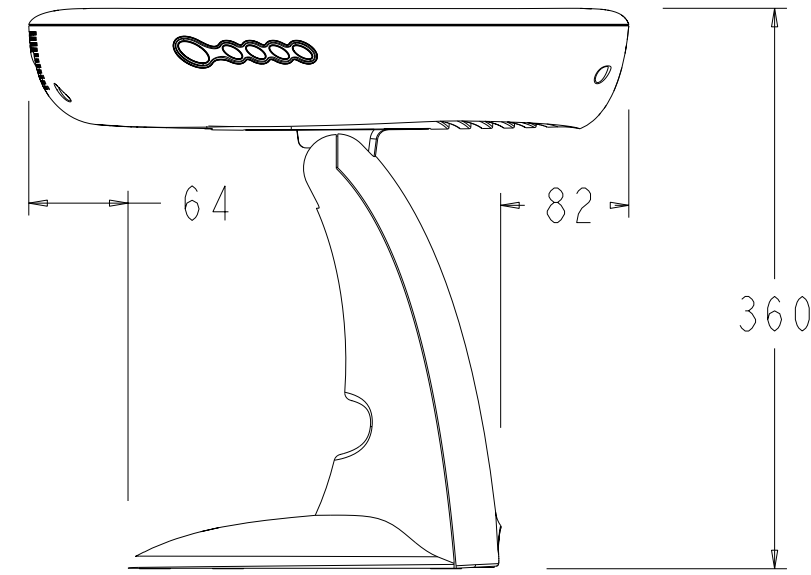
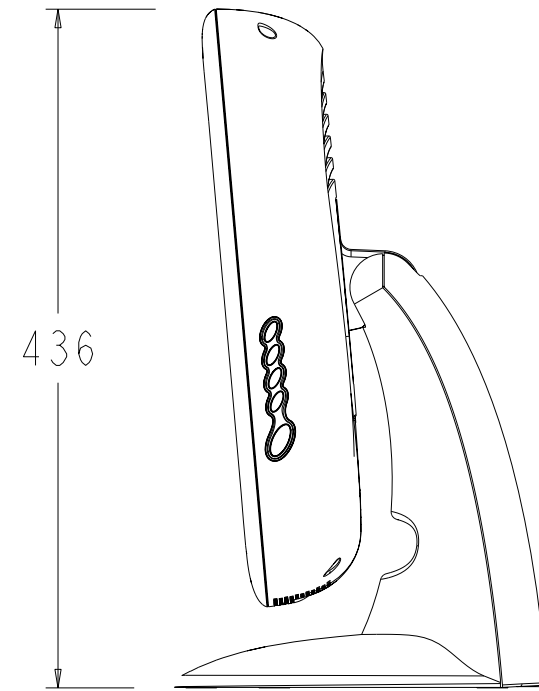
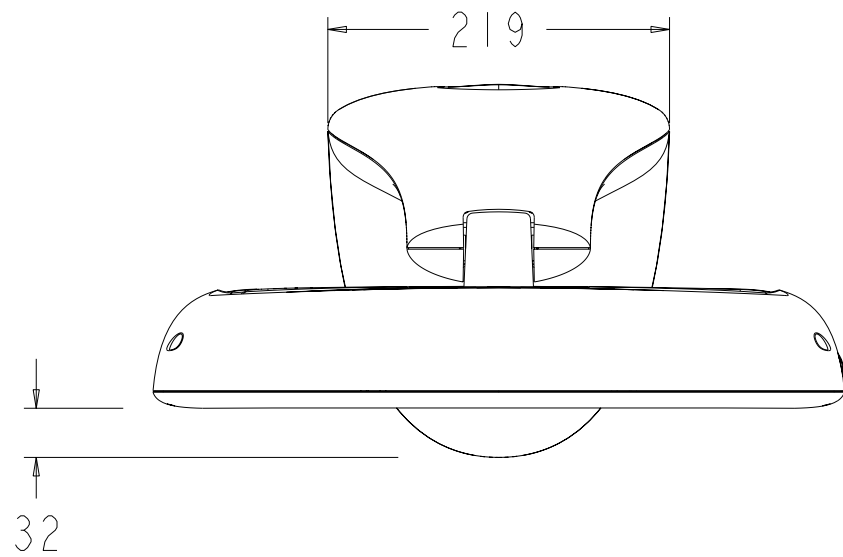


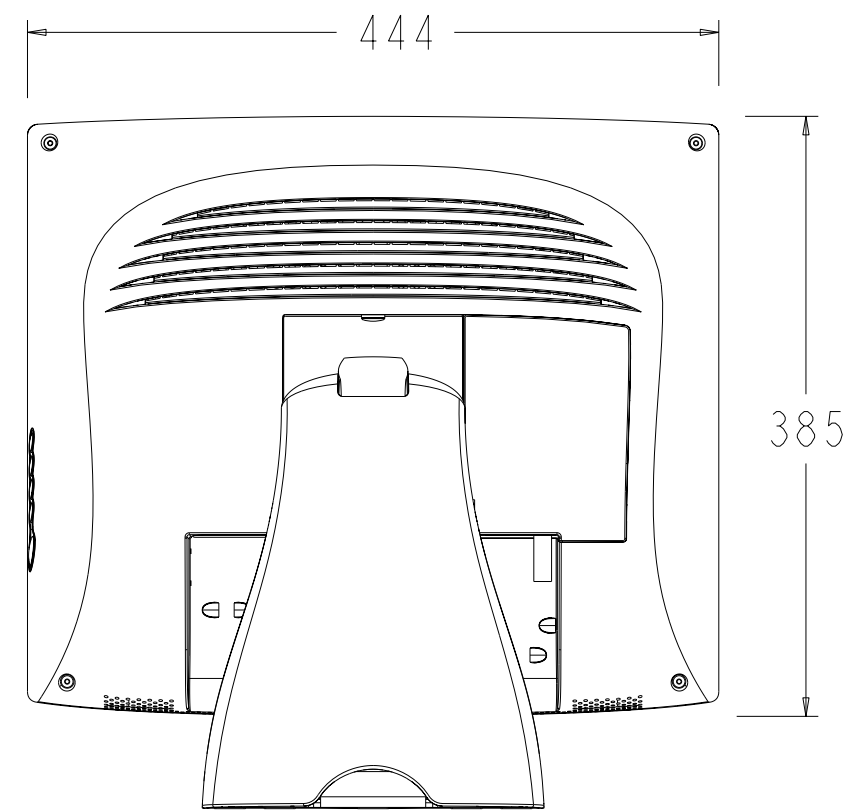
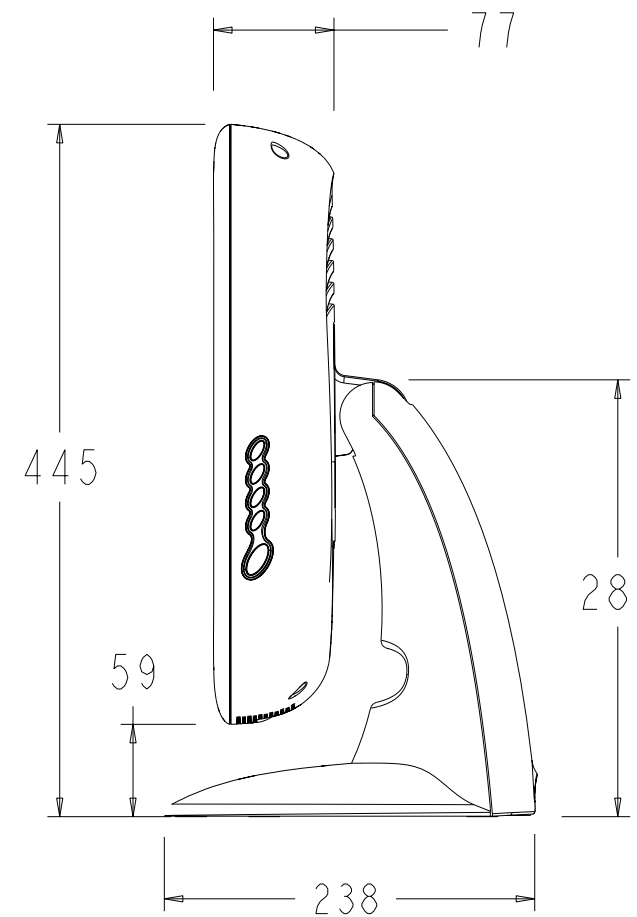
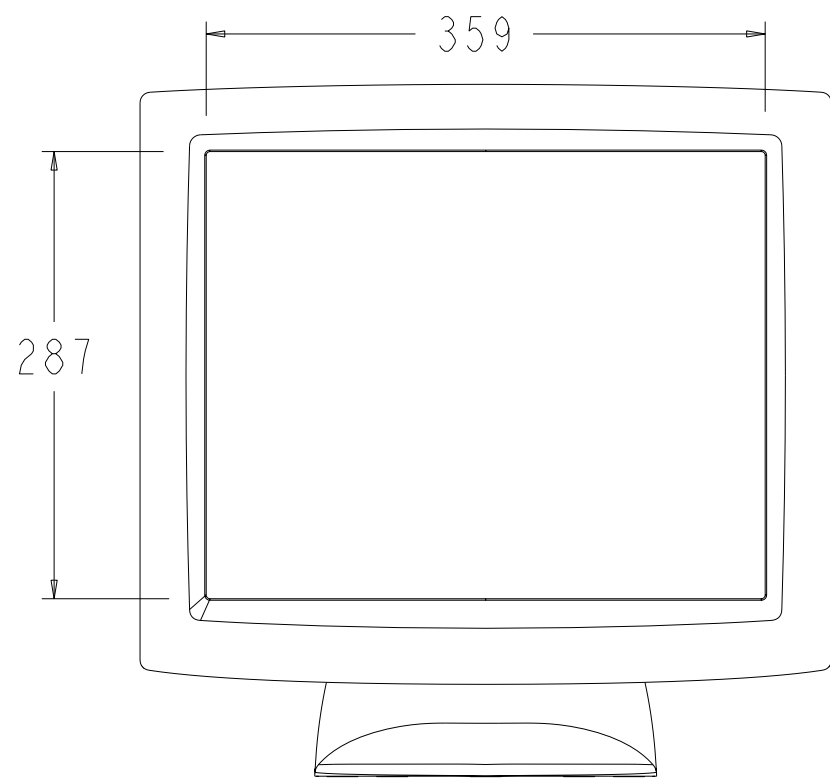
18" LCD DESKTOP MONITOR, 5000 SERIES

PART NUMBER TABULATION	
PIP NUMBER	PIP DESCRIPTION
F76629-000	ET1825L-7SWB-1
E77380-000	ET1825L-7UWB-1
A31744-000	ET1825L-8SWB-1
F30617-000	ET1825L-8UWB-1
A70125-000	ET1827L-7SWB-1
A06521-000	ET1827L-7UWB-1
A50146-000	ET1827L-8SWB-1
A46947-000	ET1827L-8UWB-1



FORWARD TILT - 5° FROM VERTICAL

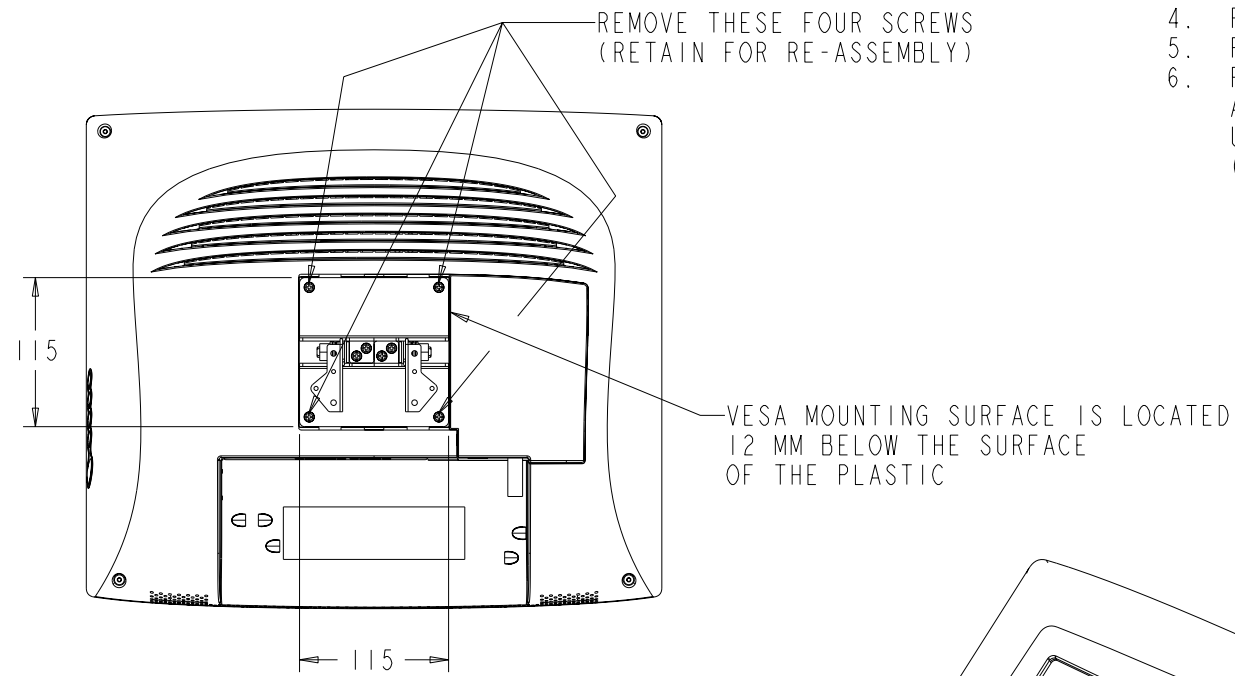
AFT TILT - 90° FROM VERTICAL



DIMENSIONS ARE IN MILLIMETERS

**18" MONITOR MOUNTING OPTIONS**

FIGURE 1: STAND AND DISPLAY SEPARATION  
(BASE REMOVED FOR EASE OF VIEW)



- MOUNTING TO A WALL:
1. REMOVE HINGE COVER LOCATED ON THE BACK OF THE MONITOR.
  2. REMOVE THE FOUR SCREWS IN ORDER TO SEPERATE THE STAND FROM THE MONITOR (SEE FIGURE 1).
  3. ROTATE THE MONITOR 180° (THIS IS NECESSARY SO MONITOR WILL NOT BE UPSIDE DOWN WHEN MOUNTED IN THE POSITION SHOWN).
  4. REINSTALL THE FOUR SCREWS.
  5. REINSTALL THE HINGE COVER.
  6. ROUTE NECESSARY CABLES THROUGH WALL (IF APPLICABLE) AND MOUNT MONITOR TO WALL USING THE TEMPLATE PROVIDED ABOVE (SEE FIGURE 2).

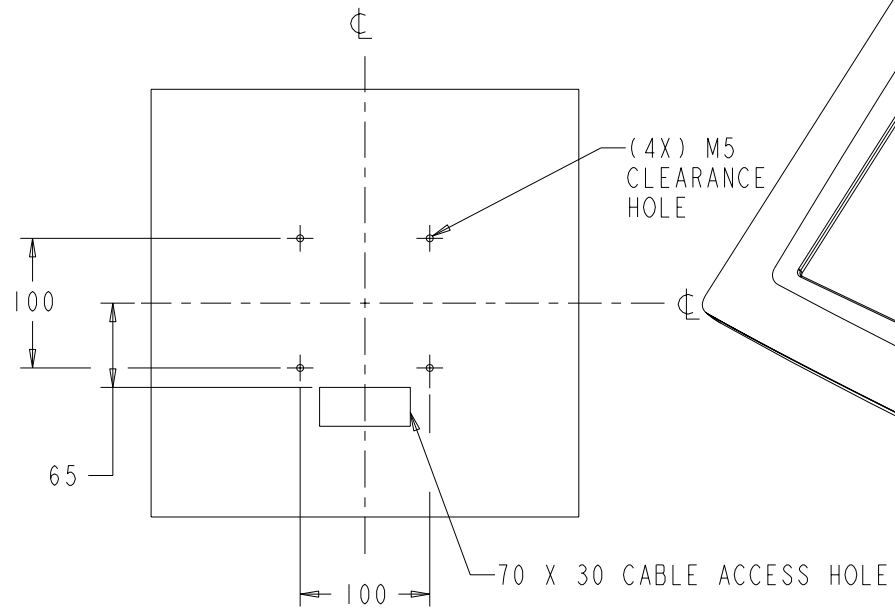
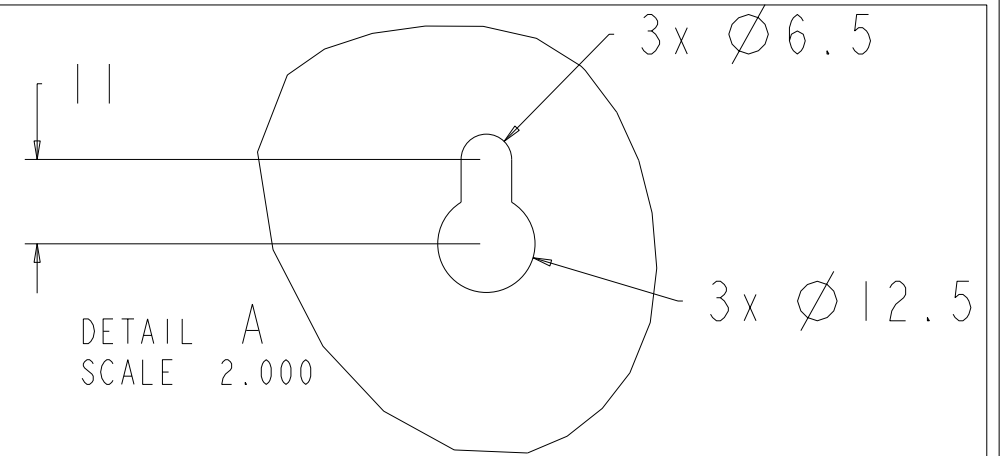


FIGURE 2: WALL MOUNT / SURFACE MOUNT TEMPLATE

DIMENSIONS ARE IN MILLIMETERS

- SECURING TO A HORIZONTAL SURFACE:
1. MOUNT TO SURFACE USING THE TEMPLATE PROVIDED IN FIGURE 2.

