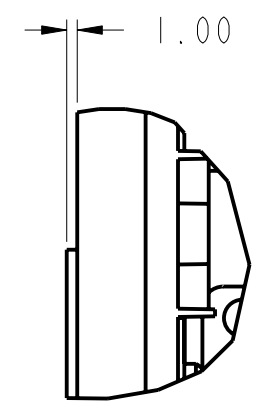
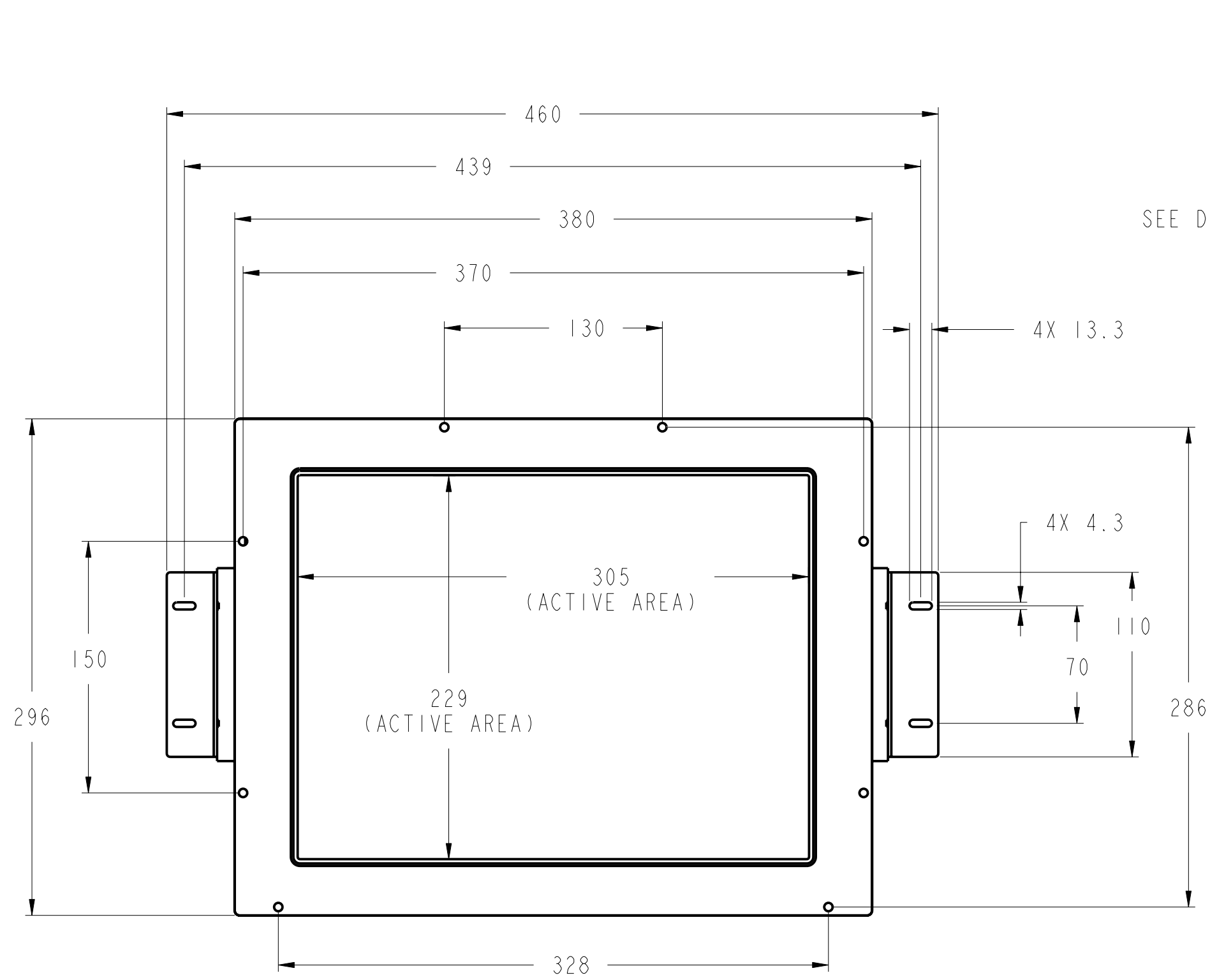
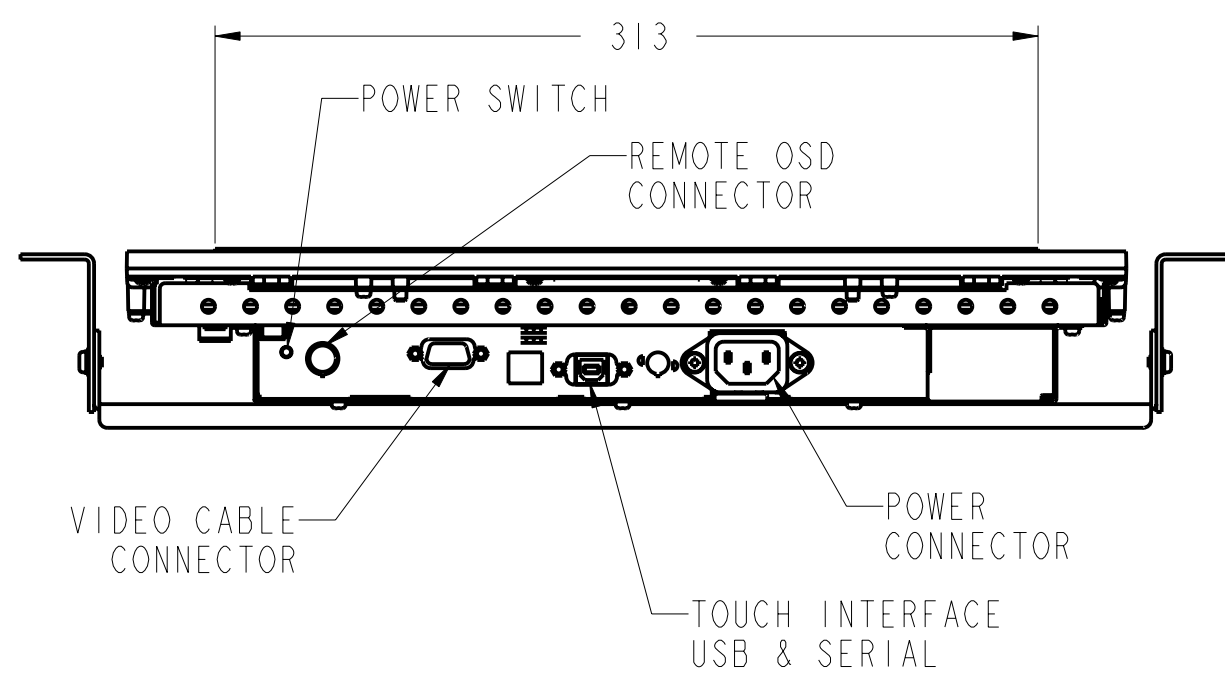
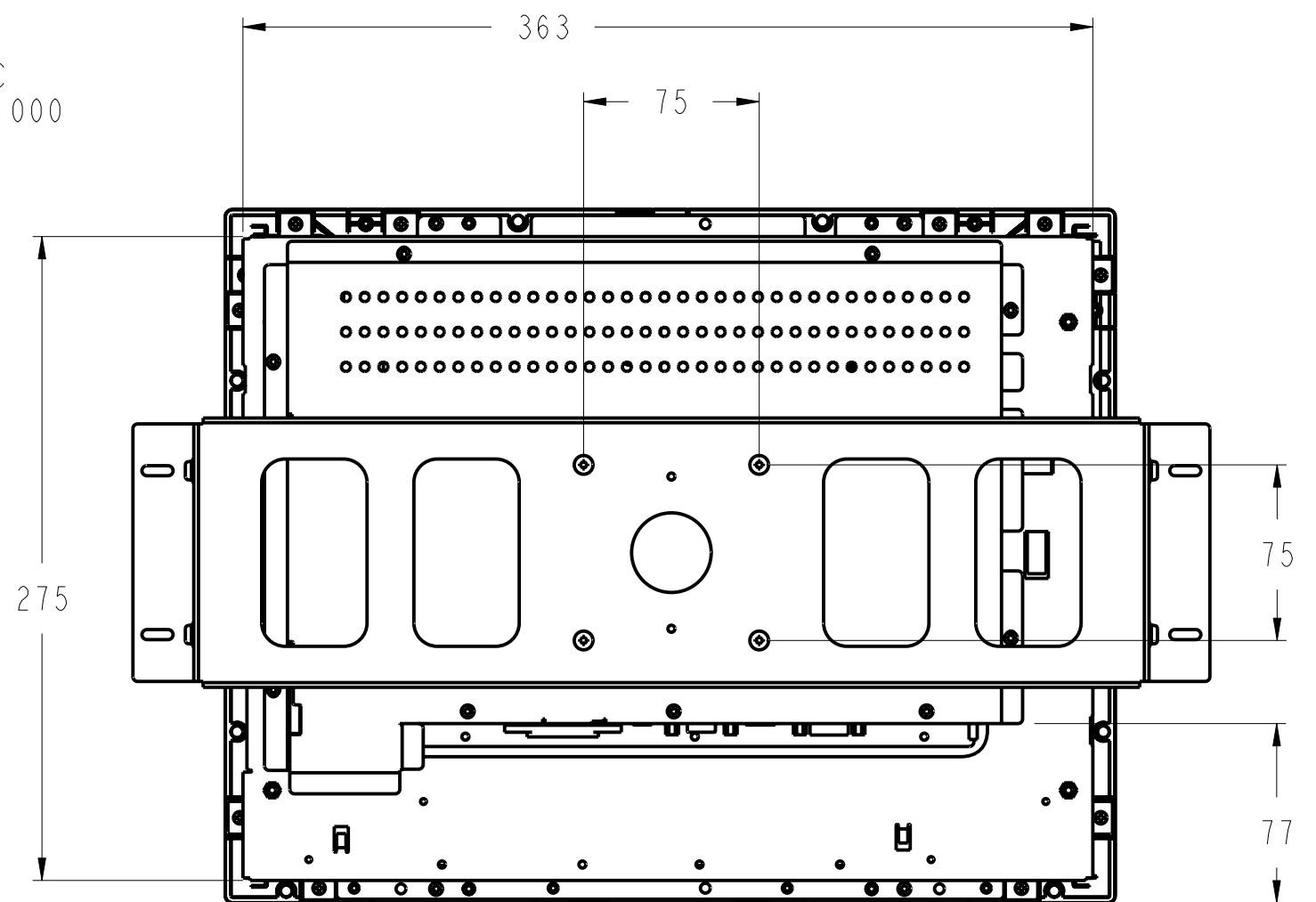
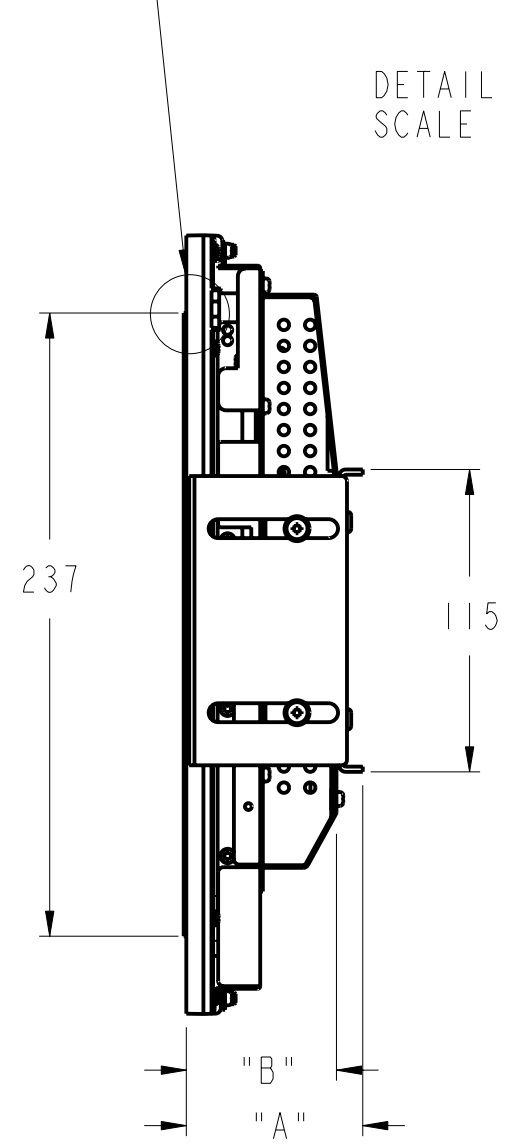


REAR MOUNT  
MODEL ET1547L SERIES



DETAIL C  
SCALE 2.000

SEE DETAIL C

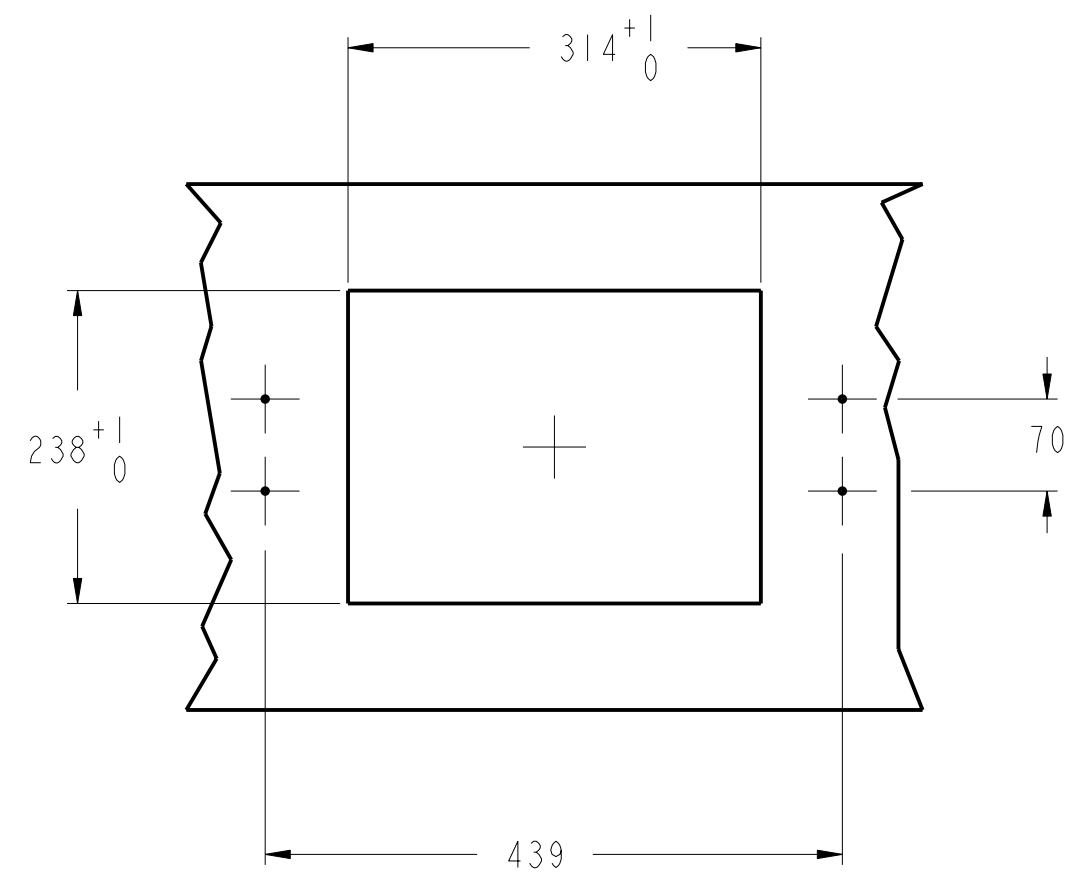


PART NUMBER	PART DESCRIPTION	"A"	"B"
056986-000	ET1547L-0NWC-1	67.3	57
C32978-000	ET1547L-7CWC-1	67.3	57
576426-000	ET1547L-8CWC-1	67.3	57
A65349-000	ET1547L-6CWC-1	70.3	60
387888-000	ET1547L-9SWC-1	70.5	61.5
F10657-000	ET1547L-9UWC-1	70.5	61.5
C59911-000	ET1547L-3CWC-1	67.3	57

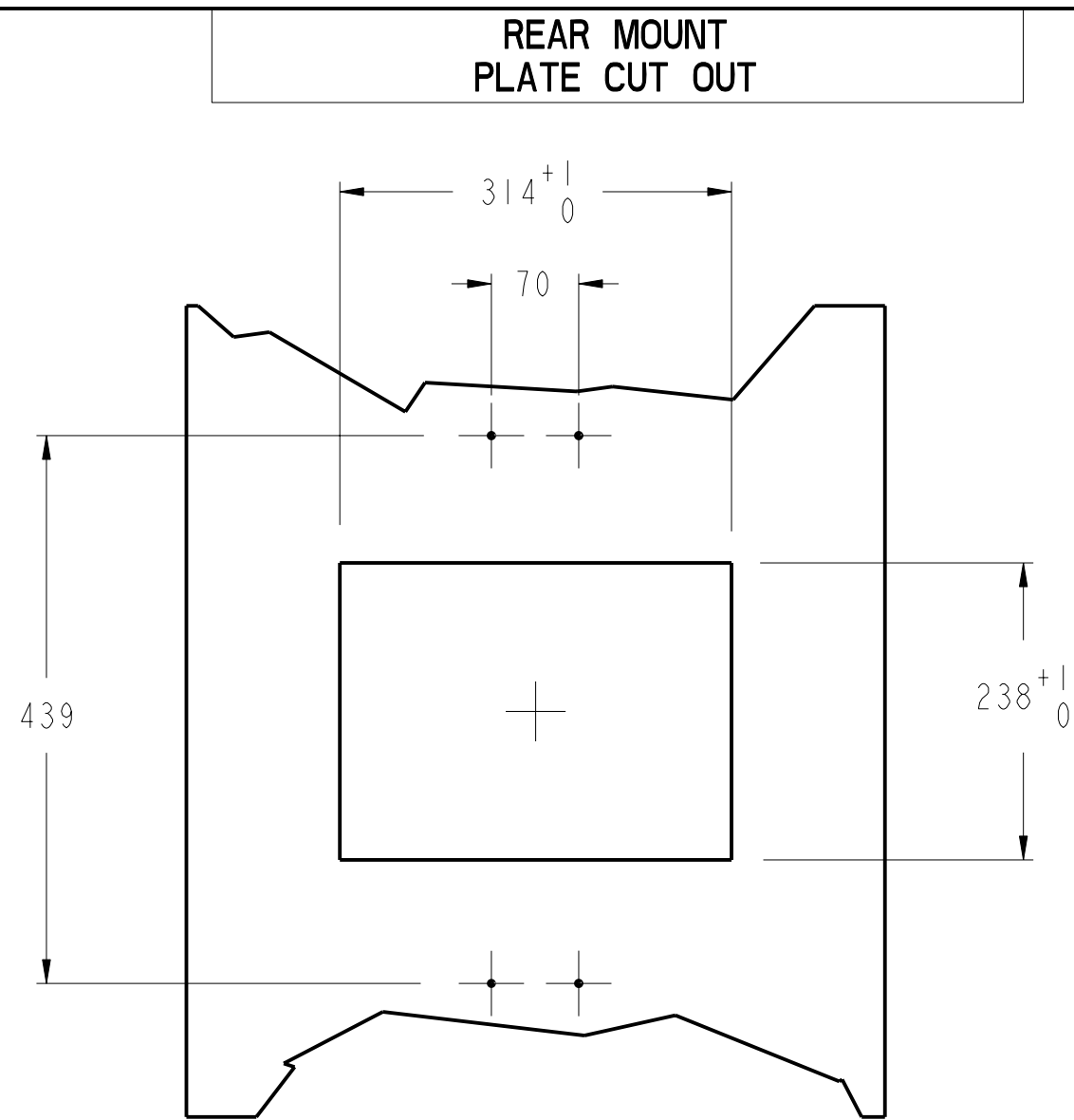
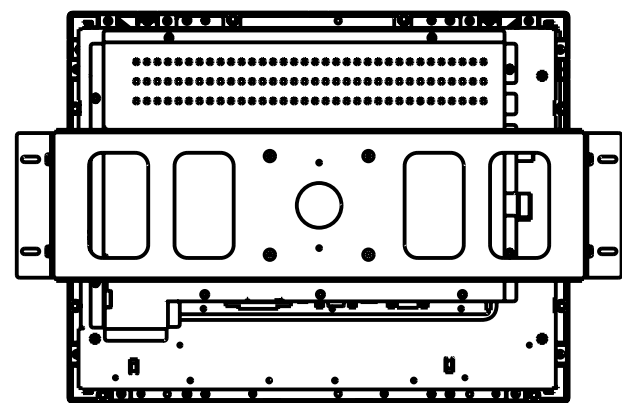
SHEET 1 OF 6  
SCALE 1:2

DIMENSIONS ARE IN MILLIMETERS

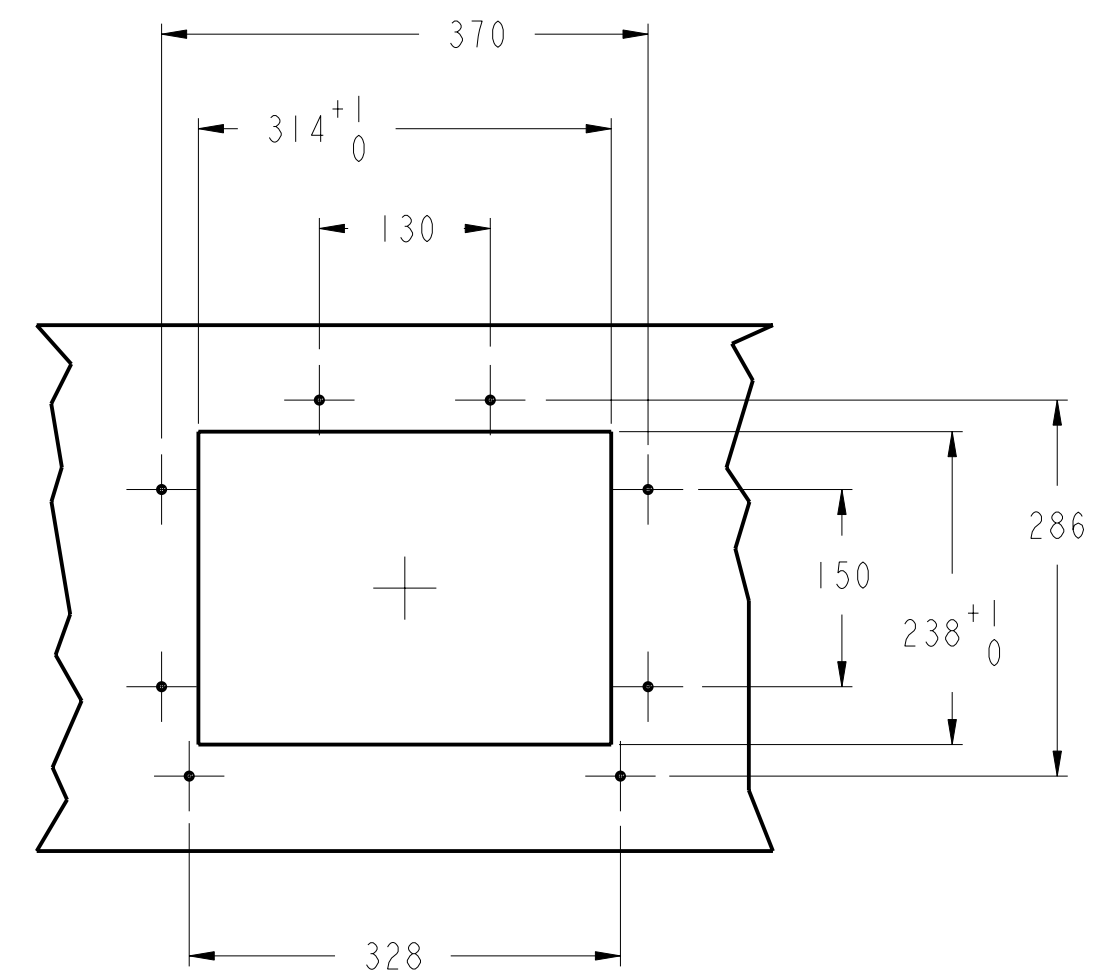
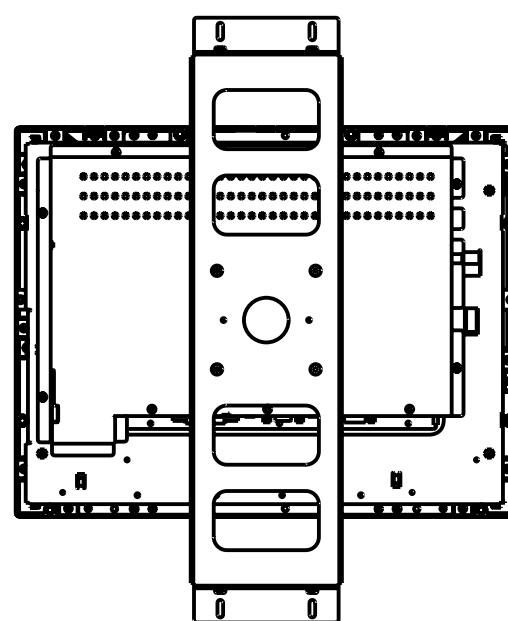




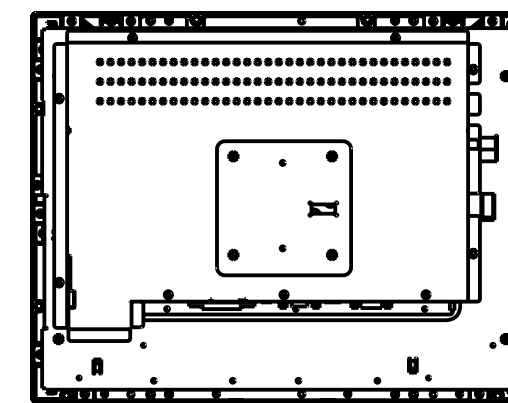
HORIZONTAL INSTALLATION



VERTICAL INSTALLATION



NO BRACKET INSTALLATION



**NOTES:**

**MATERIAL:**

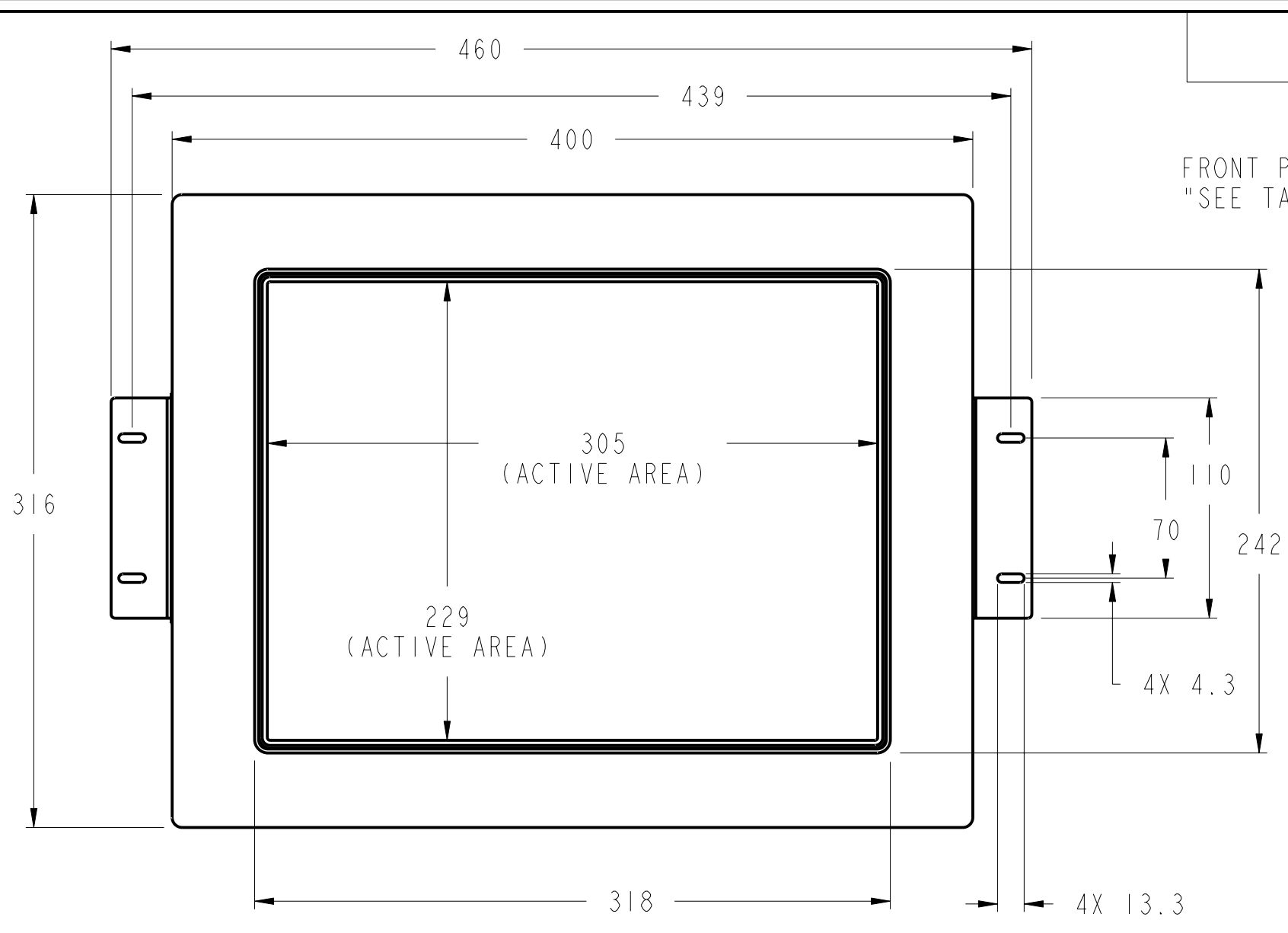
1. WOOD:  $\varnothing 4.5$  HOLES THRU FOR M4 SCREWS W/NUTS,  
OR, NO THRU HOLES, SCREWS FOR WOOD  $\varnothing 4\text{mm}$ ,
2. SHEET METAL: CONCEALED HEAD THREADED STUDS M4 W/NUTS.

DIMENSIONS ARE IN MILLIMETERS

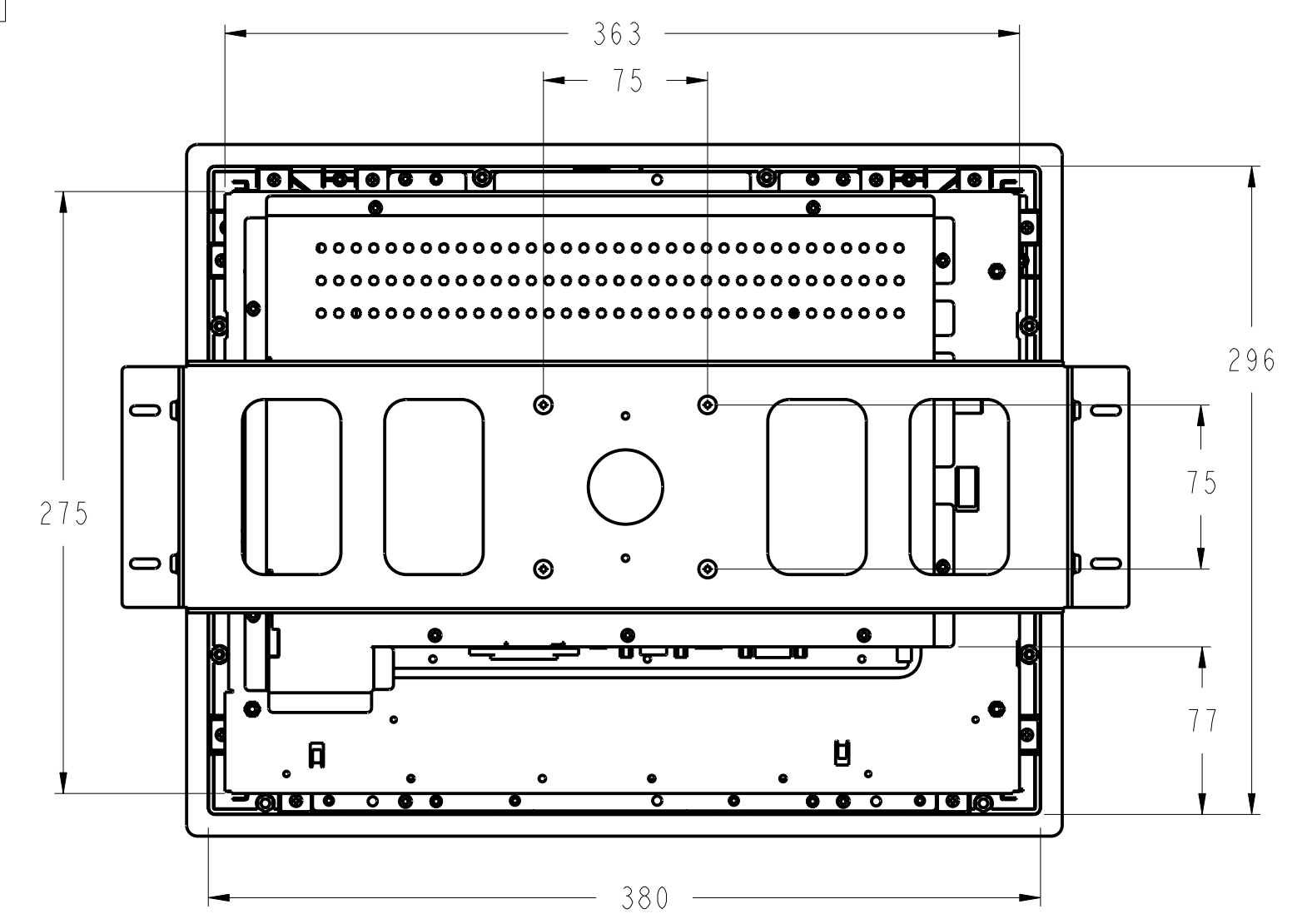
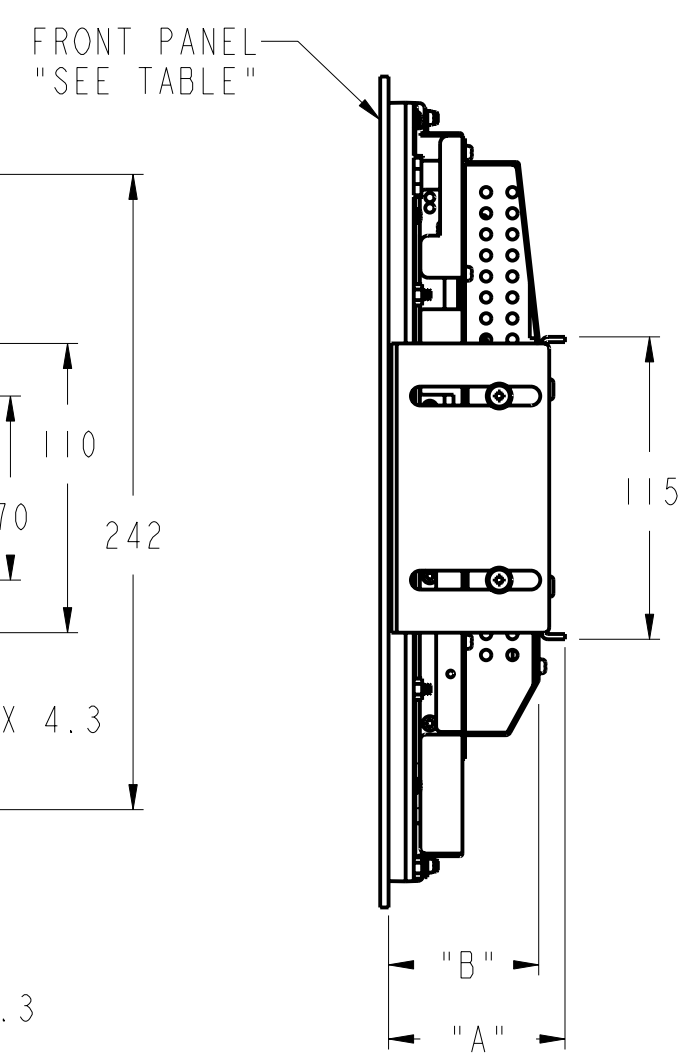
**NOTE:**

3D FILES AVAILABLE.



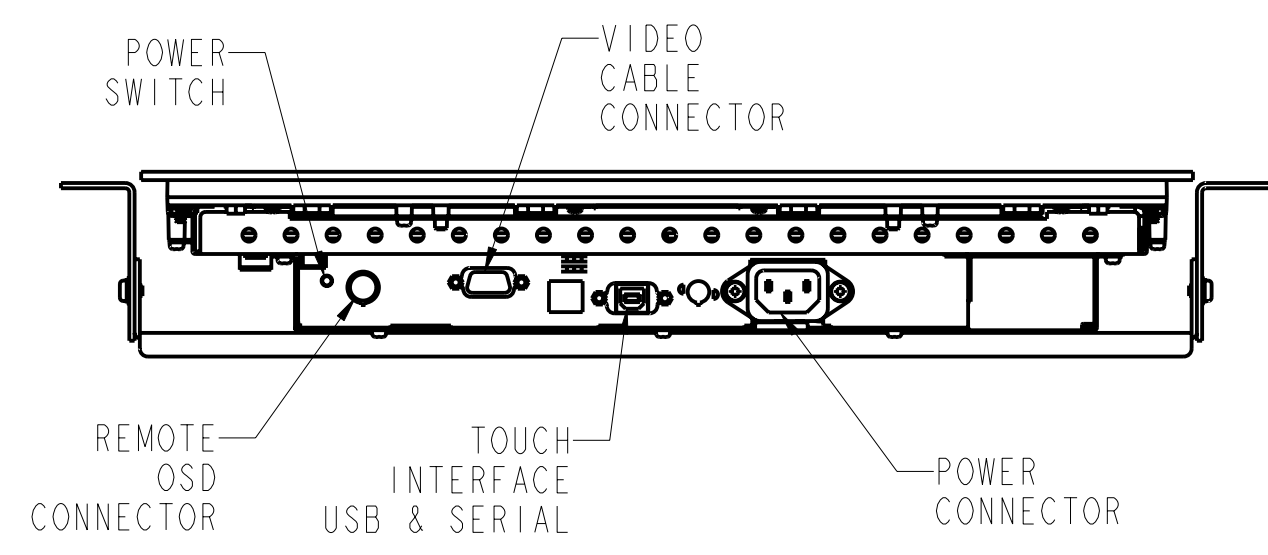


**FRONT MOUNT  
MODEL ET1567L SERIES**



**FRONT PANEL**

PIP NUMBER	PIP DESCRIPTION	MATERIAL	COUNTRY
C72404-000	ELO-PLATE-15MODULAR	3mm THICK ALUMINUM BLACK ANODIZED	NORTH AMERICA ONLY
A82804-000	ELO-BEZEL-15MOD-SST2-BK	2mm THICK STAINLESS STEEL BLACK POWDERCOAT	EURO ONLY
D82339-000	ELO-BEZEL-15MOD-SST2	2mm THICK STAINLESS STEEL BRUSHED FINISH	EURO ONLY



**USE WITH ELO MONITORS**

PART NUMBER	*PART DESCRIPTION*	"A"	"B"
851660-000	ET1567L-0NWC-1	67.3	57
432574-000	ET1567L-7CWC-1	67.3	57
252302-000	ET1567L-8CWC-1	67.3	57
073496-000	ET1567L-6CWC-1	70.3	60

PART NUMBER	PART DESCRIPTION	"A"	"B"
056986-000	ET1547L-0NWC-1	67.3	57
C32978-000	ET1547L-7CWC-1	67.3	57
576426-000	ET1547L-8CWC-1	67.3	57
A65349-000	ET1547L-6CWC-1	70.3	60
387888-000	ET1547L-9SWC-1	70.5	61.5
F10657-000	ET1547L-9UWC-1	70.5	61.5
C59911-000	ET1547L-3CWC-1	67.3	57

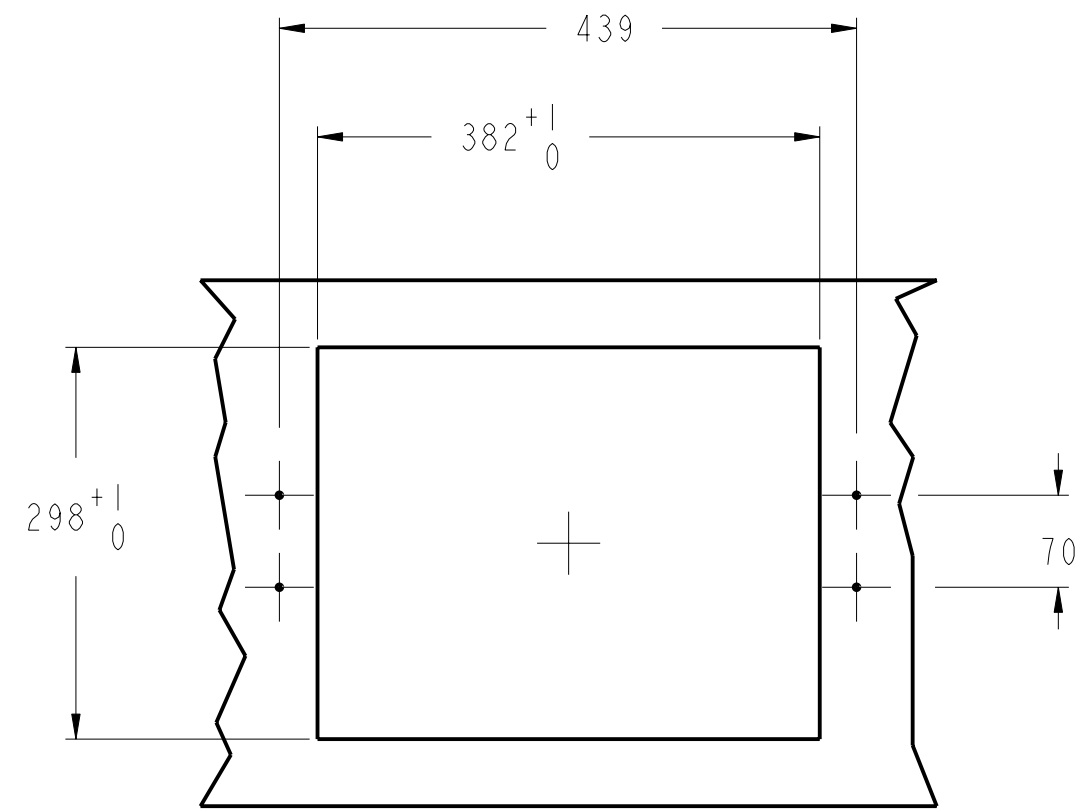
\*1567L SERIES MONITOR COMES WITH FRONT MOUNT BEZEL C72404-000 PRE-ASSEMBLED

DIMENSIONS ARE IN MILLIMETERS

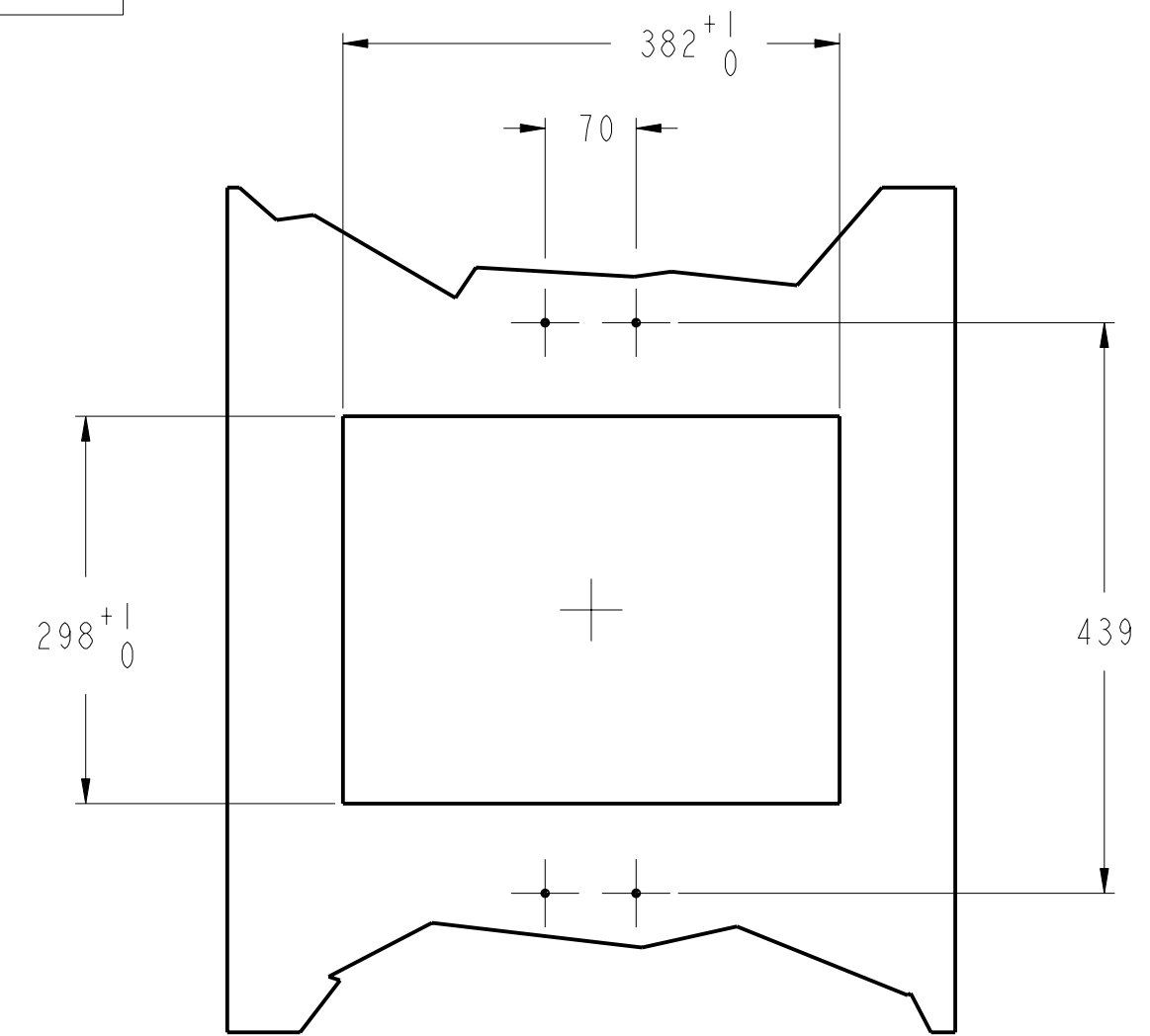
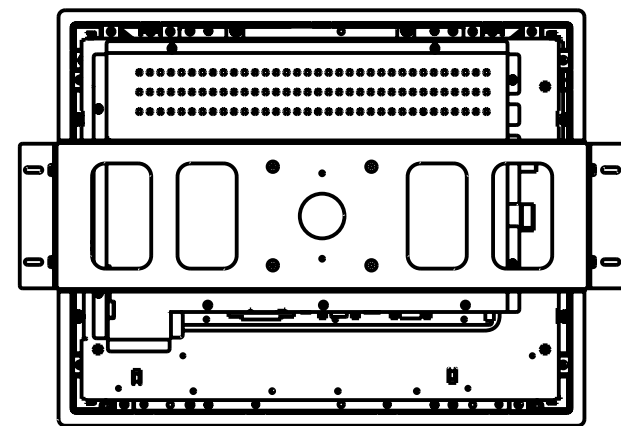
SHEET 3 OF 6  
SCALE 1:2



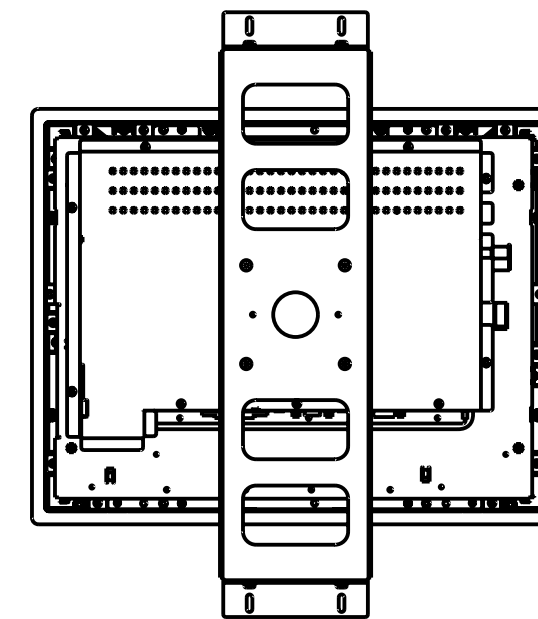
FRONT MOUNT  
PLATE CUT OUT



HORIZONTAL INSTALLATION



VERTICAL INSTALLATION



NOTES:

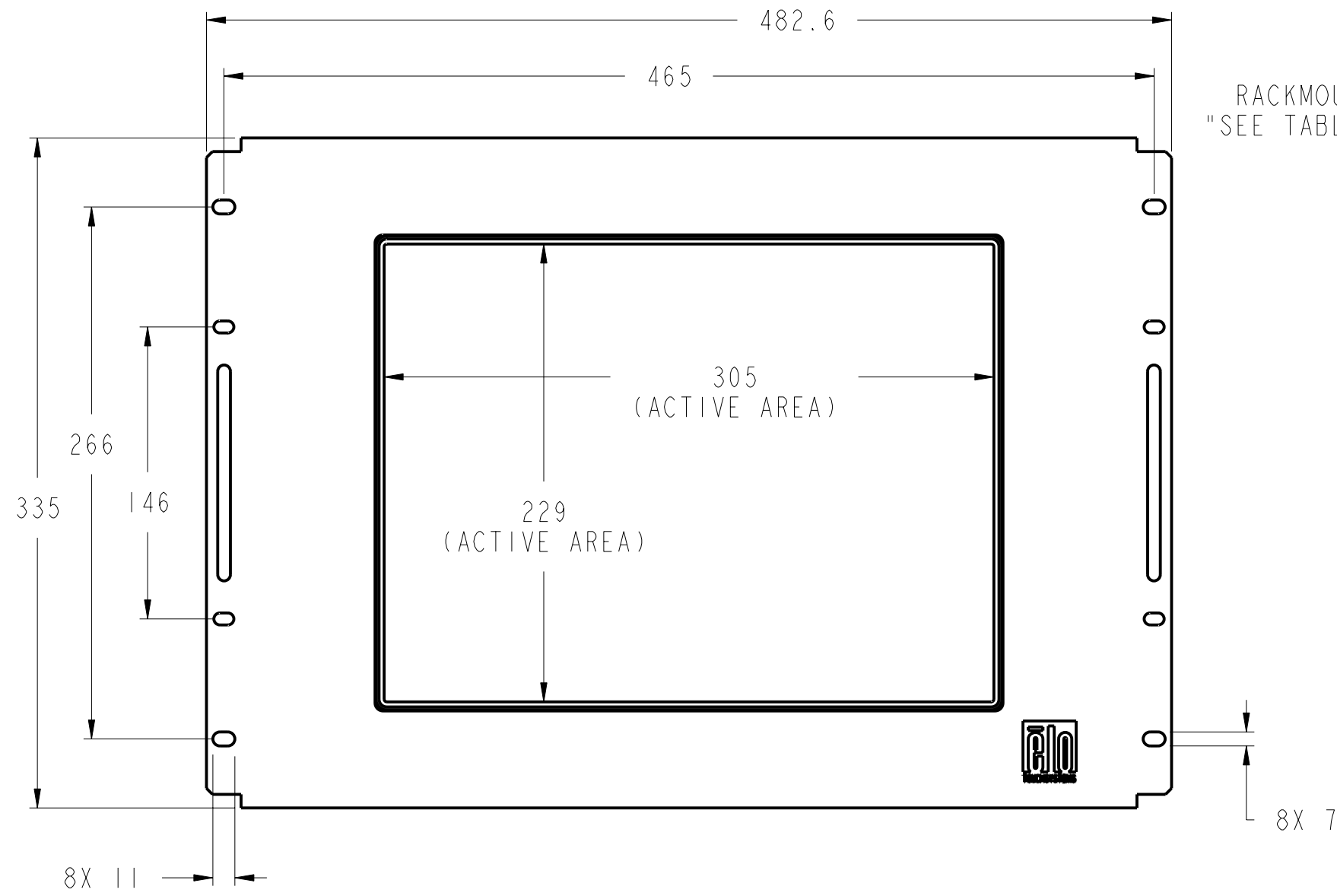
MATERIAL:

1. WOOD:  $\varnothing 4.5$  HOLES THRU FOR M4 SCREWS W/NUTS,  
OR, NO THRU HOLES, SCREWS FOR WOOD  $\varnothing 4\text{mm}$ ,
2. SHEET METAL: CONCEALED HEAD THREADED STUDS M4 W/NUTS.

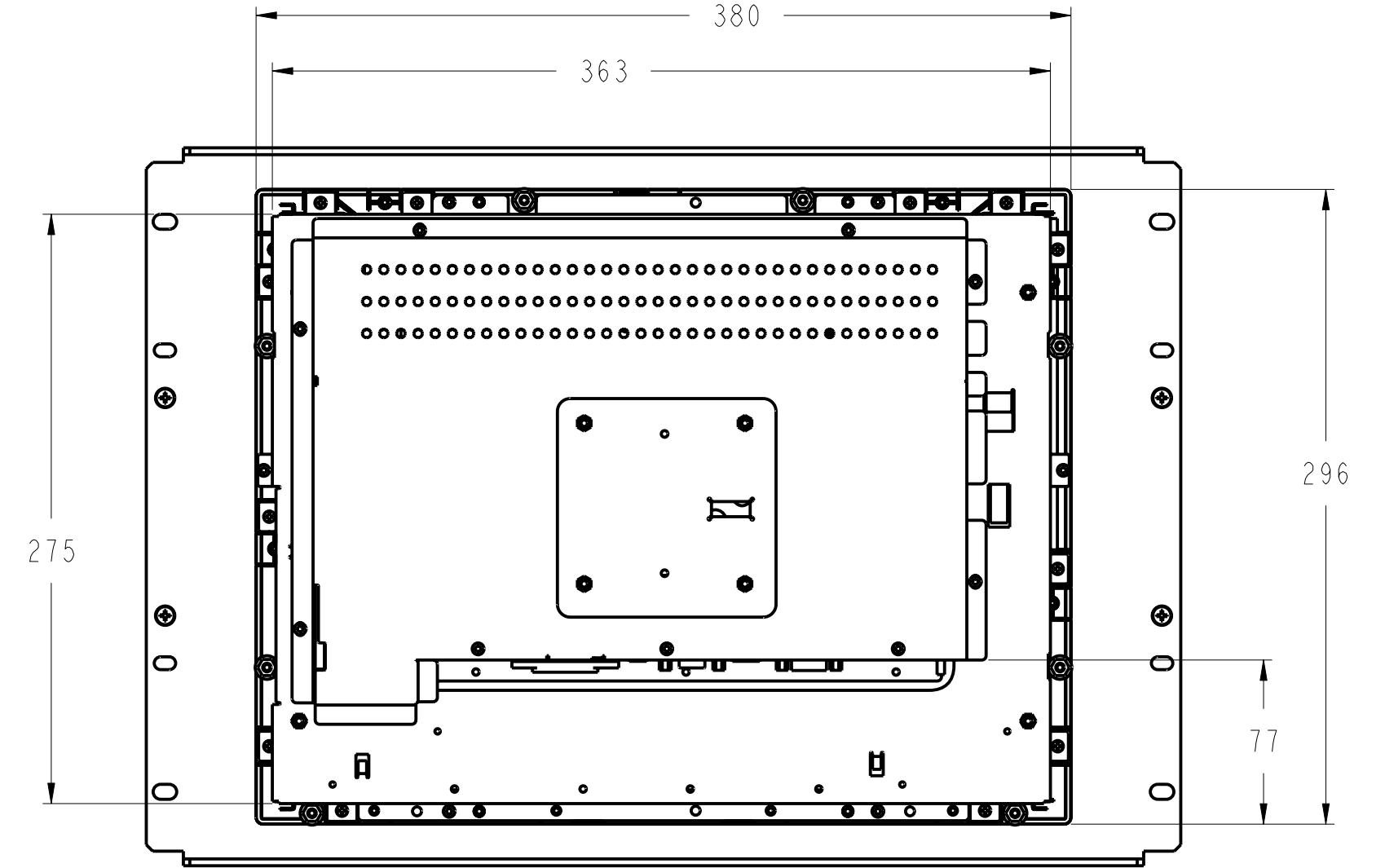
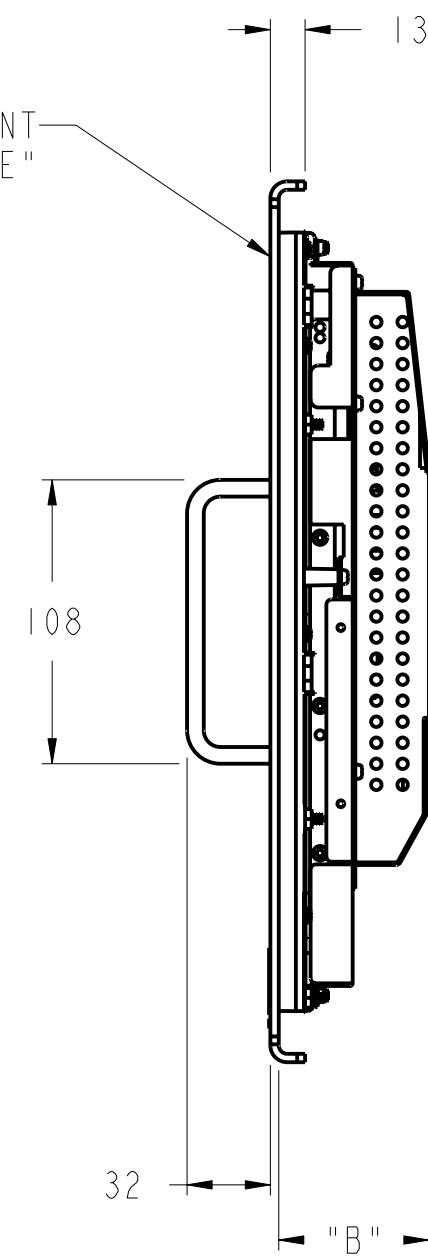
DIMENSIONS ARE IN MILLIMETERS

NOTE:  
3D FILES AVAILABLE.

RACKMOUNT  
 MODEL ET1547L SERIES  
 FOR 19" COMPUTER RACKS  
 (NORTH AMERICA ONLY)



RACKMOUNT  
 "SEE TABLE"

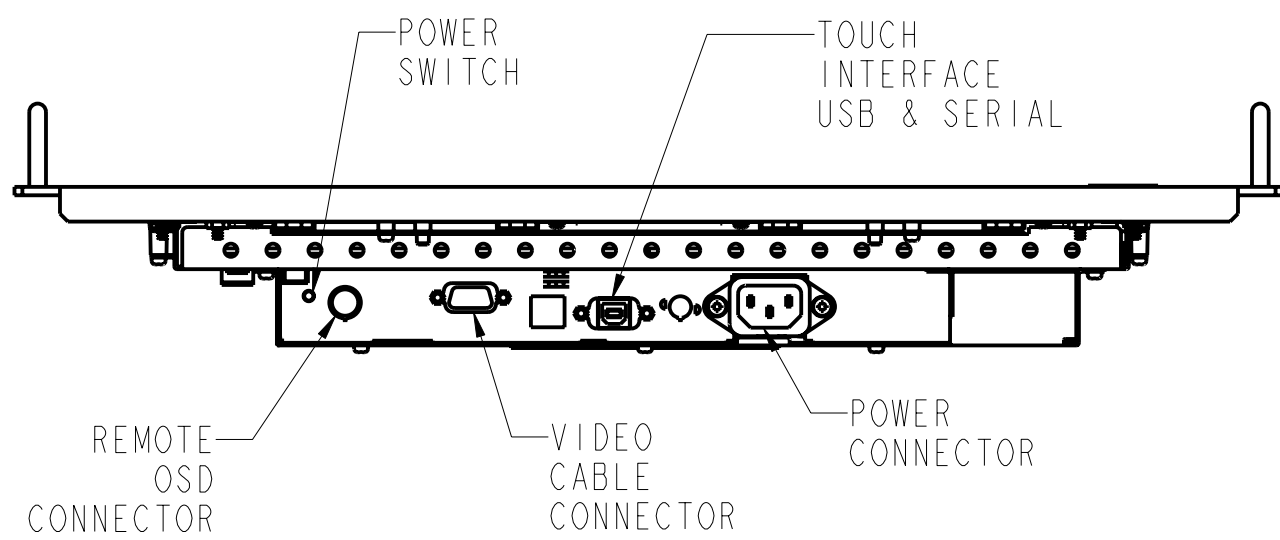


RACKMOUNT

PIP NUMBER	PIP DESCRIPTION
D84822-000	ELO-15INCH-RACKMOUNT-BKT

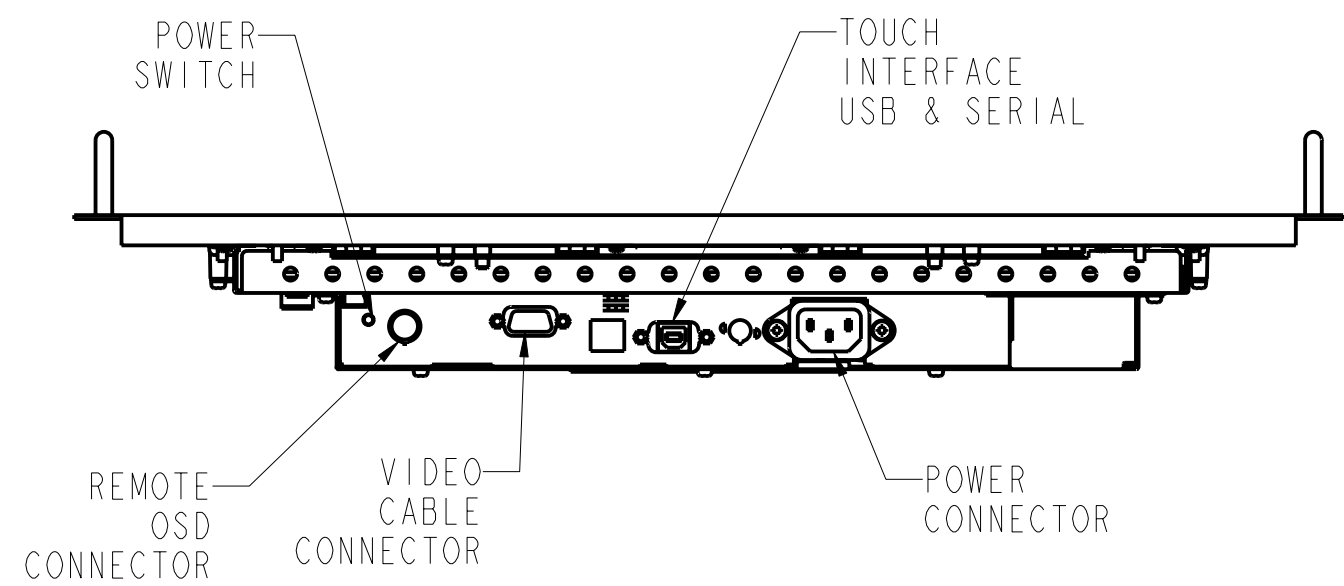
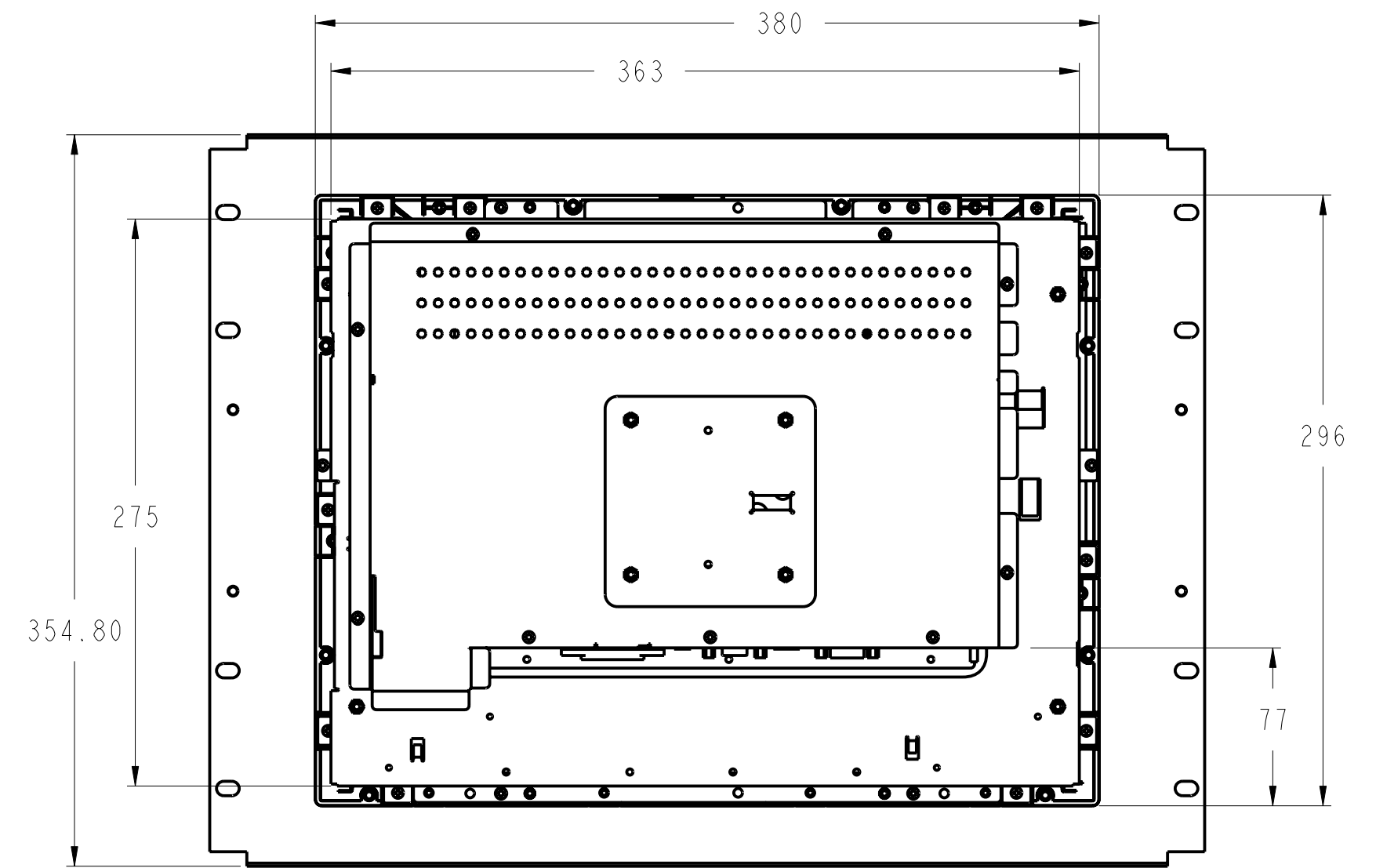
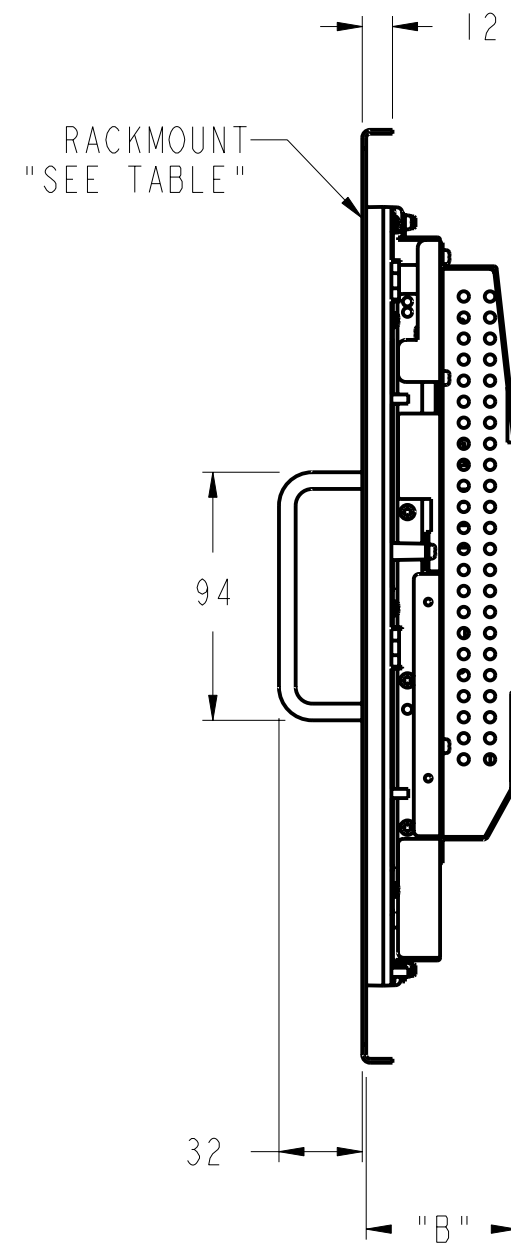
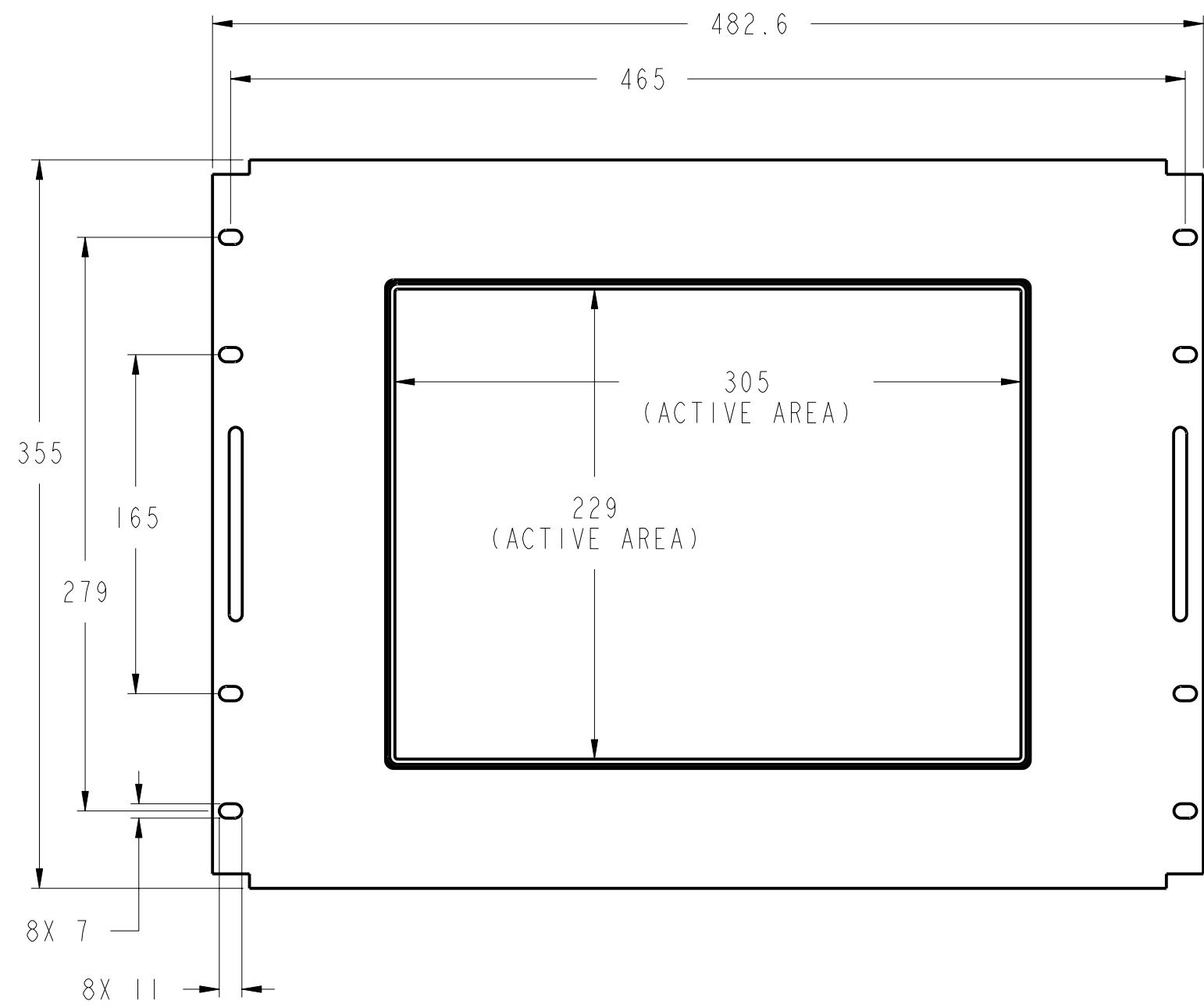
USE WITH ELO MONITORS

PART NUMBER	PART DESCRIPTION	"B"
056986-000	ET1547L-0NWC-1	57
A65349-000	ET1547L-6CWC-1	57
C32978-000	ET1547L-7CWC-1	57
576426-000	ET1547L-8CWC-1	60
387888-000	ET1547L-9SWC-1	61.5
F10657-000	ET1547L-9UWC-1	61.5
C59911-000	ET1547L-3CWC-1	57



DIMENSIONS ARE IN MILLIMETERS

RACKMOUNT  
 MODEL ET1547L SERIES  
 FOR 19" COMPUTER RACKS  
 (EUROPE ONLY)



PIP NUMBER	PIP DESCRIPTION
F40623-000	ELO-BEZEL-15MOD-RACK2-DG

USE WITH ELO MONITORS

PART NUMBER	PART DESCRIPTION	"B"
056986-000	ET1547L-0NWC-1	57
A65349-000	ET1547L-6CWC-1	57
C32978-000	ET1547L-7CWC-1	57
576426-000	ET1547L-8CWC-1	60
387888-000	ET1547L-9SWC-1	61.5
F10657-000	ET1547L-9UWC-1	61.5
C59911-000	ET1547L-3CWC-1	60

DIMENSIONS ARE IN MILLIMETERS

SHEET 6 OF 6  
 SCALE 1:2

