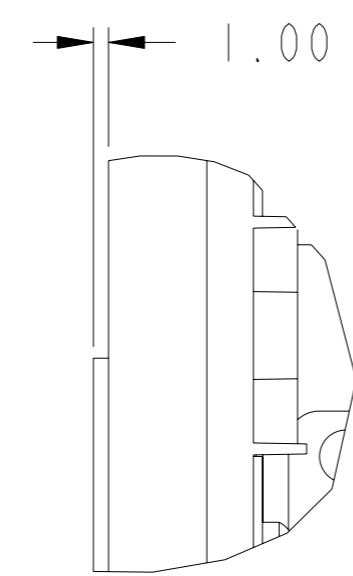
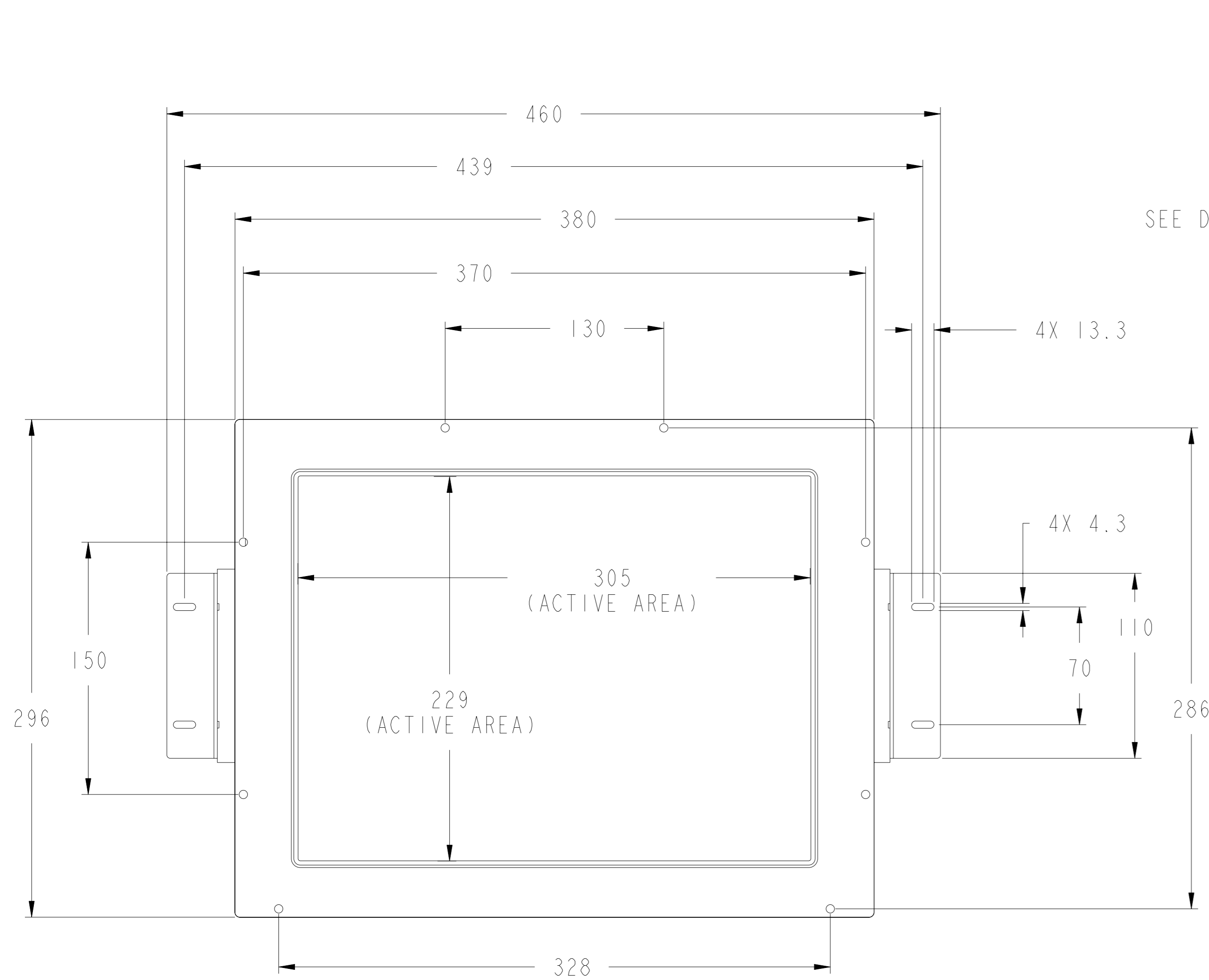
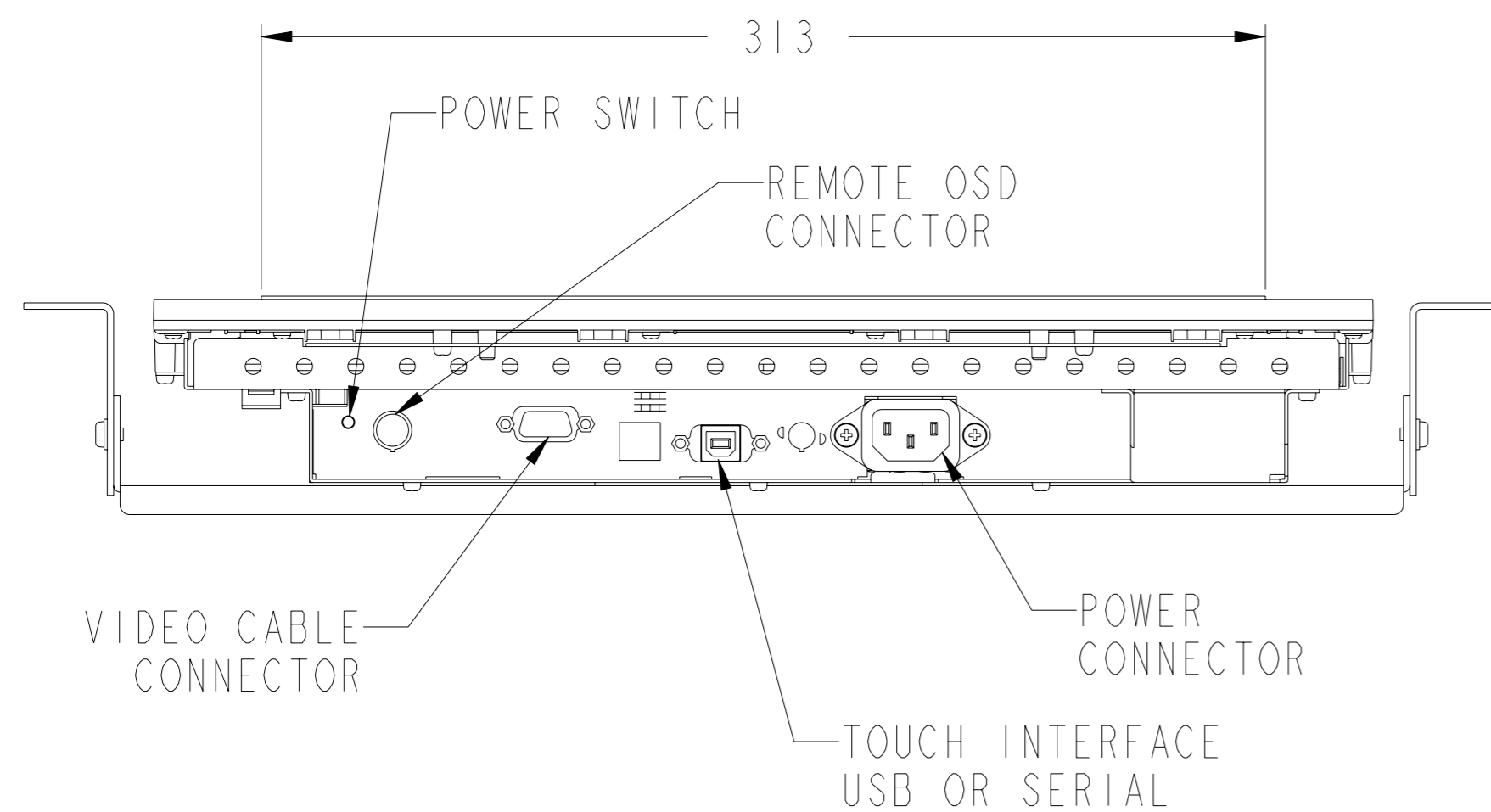
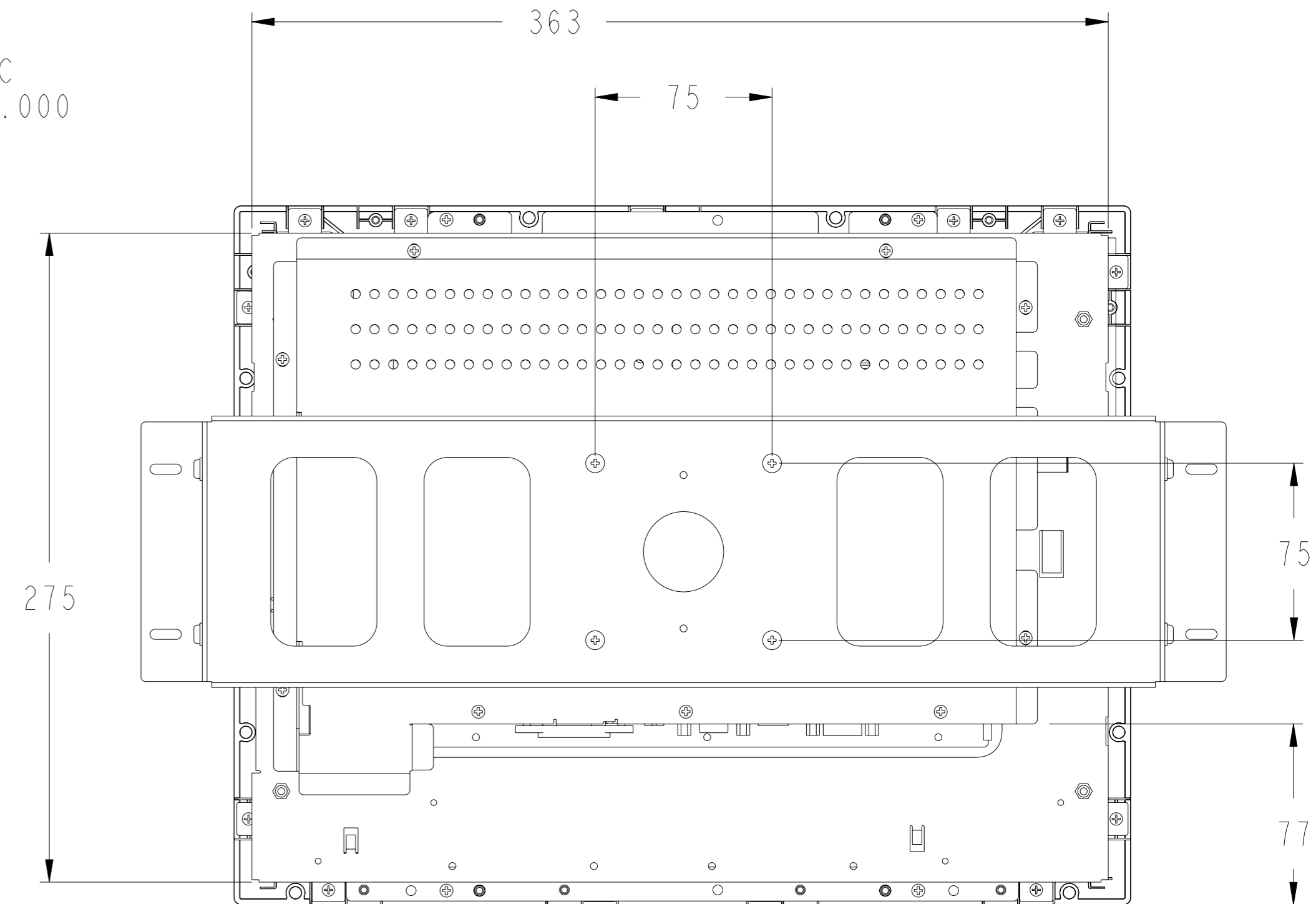
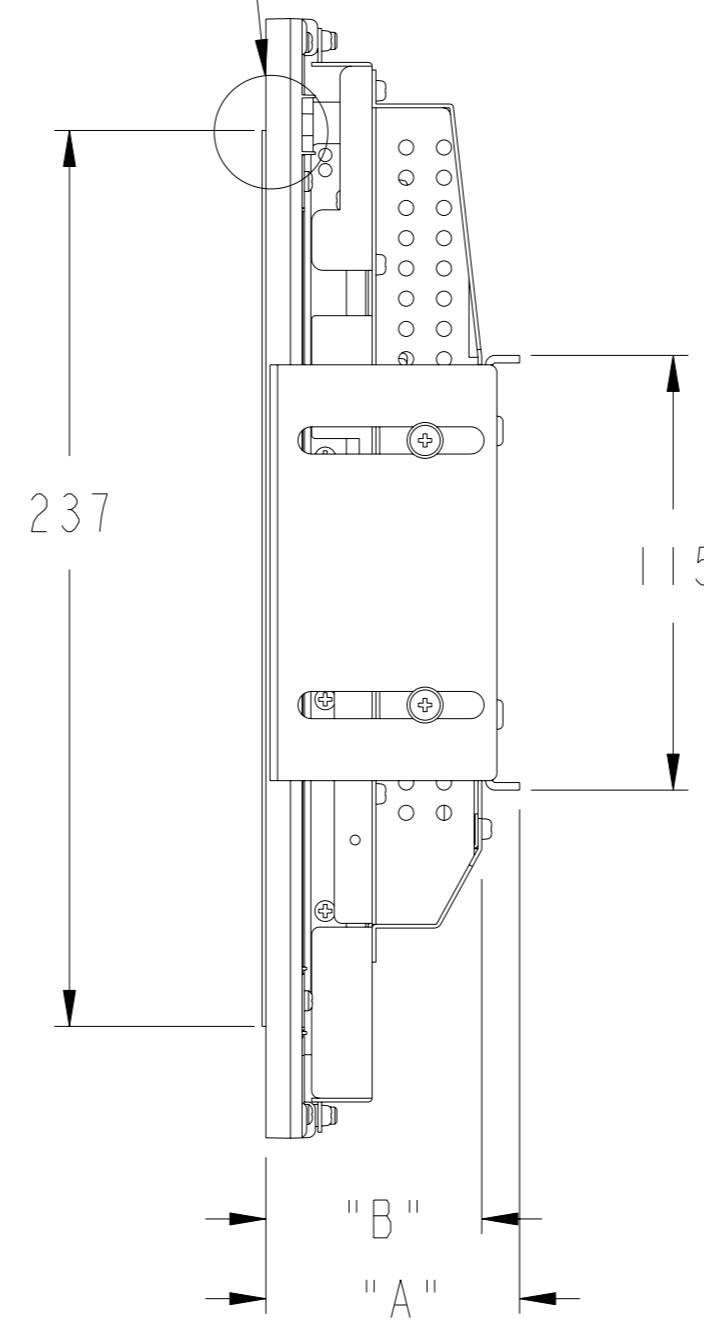


REAR MOUNT  
MODEL ET1547L SERIES



DETAIL C  
SCALE 2.000

SEE DETAIL C



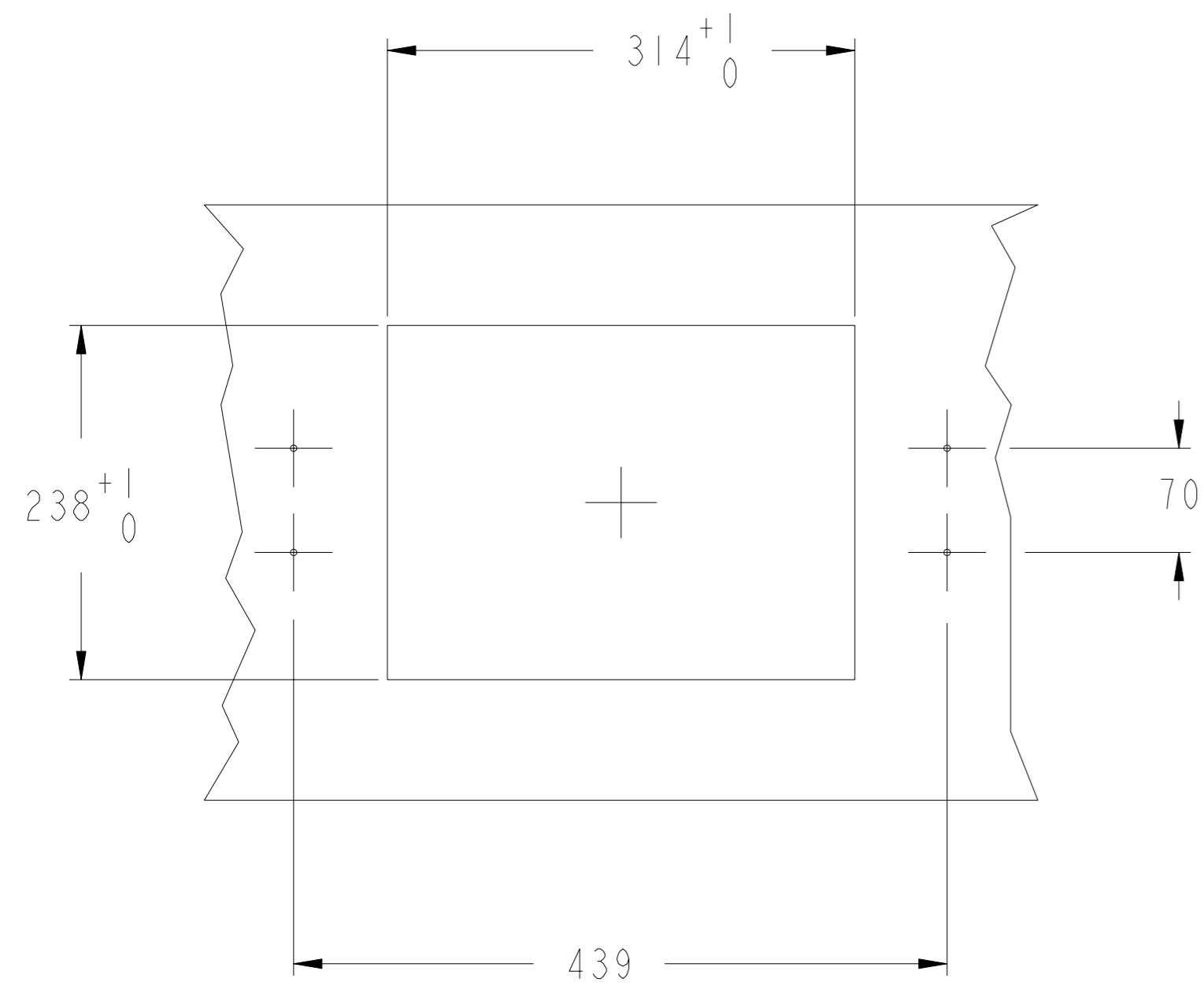
PART NUMBER	PART DESCRIPTION	"A"	"B"
056986-000	ET1547L-0NWC-1	67.3	57
516452-000	ET1547L-7SWC-1	67.3	57
C32978-000	ET1547L-7UWC-1	67.3	57
823428-000	ET1547L-8SWC-1	67.3	57
576426-000	ET1547L-8UWC-1	67.3	57
C80308-000	ET1547L-6SWC-1	70.3	60
A65349-000	ET1547L-6UWC-1	70.3	60
387888-000	ET1547L-9SWC-1	70.5	61.5
F10657-000	ET1547L-9UWC-1	70.5	61.5
C59911-000	ET1547L-3CWC-1	67.3	57

SHEET 1 OF 6  
SCALE 1:2

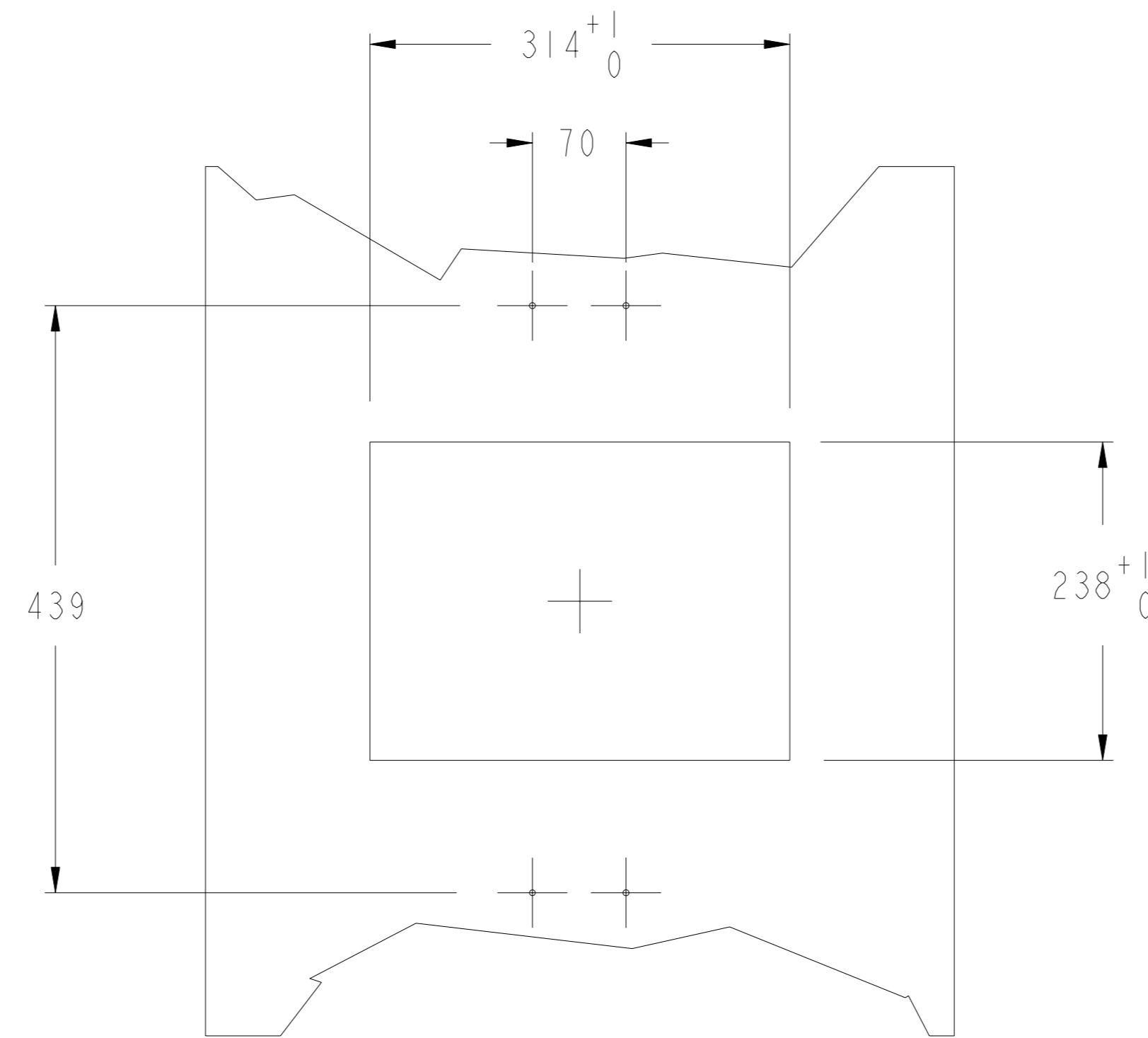


DIMENSIONS ARE IN MILLIMETERS

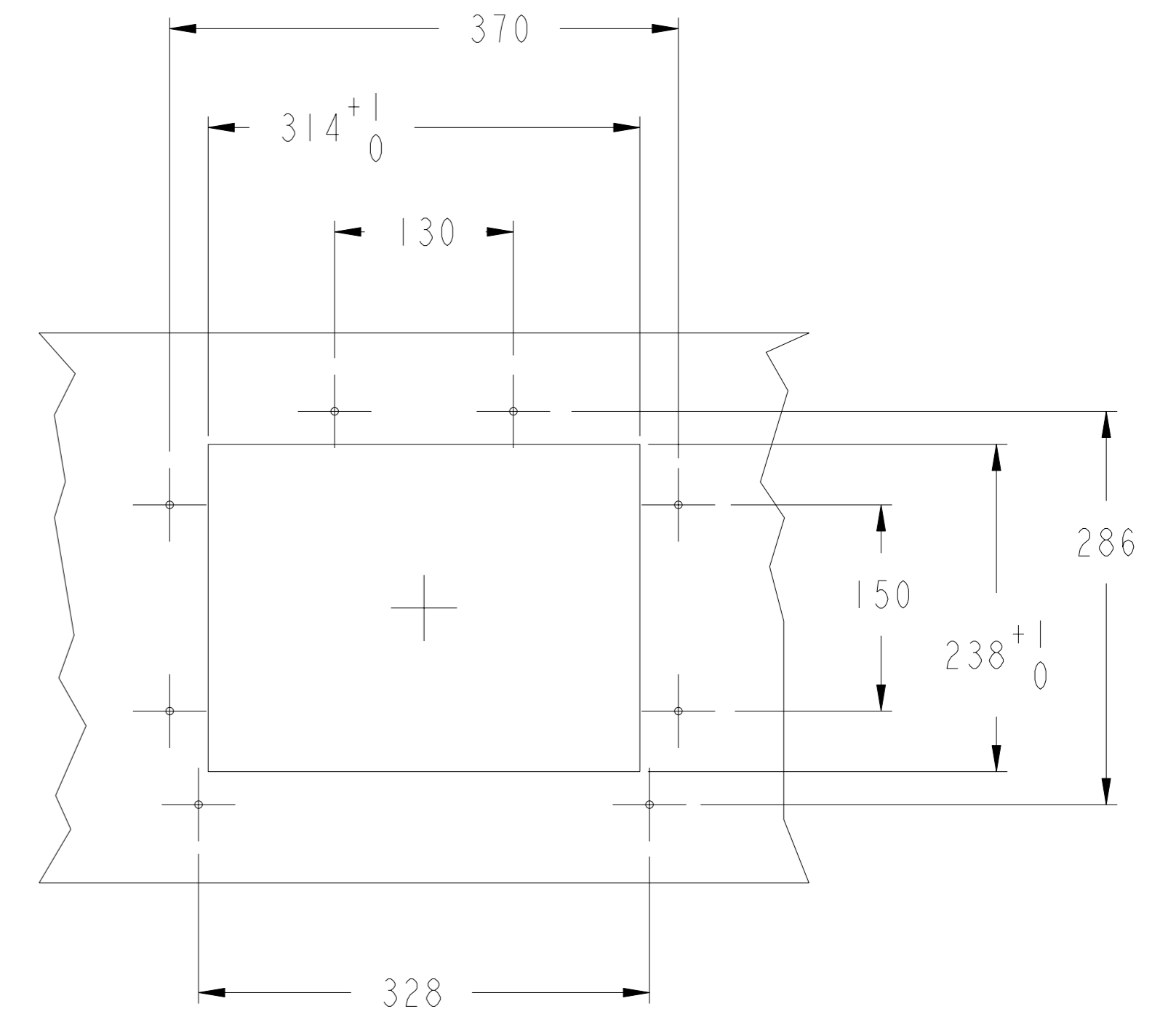
REAR MOUNT  
PLATE CUT OUT



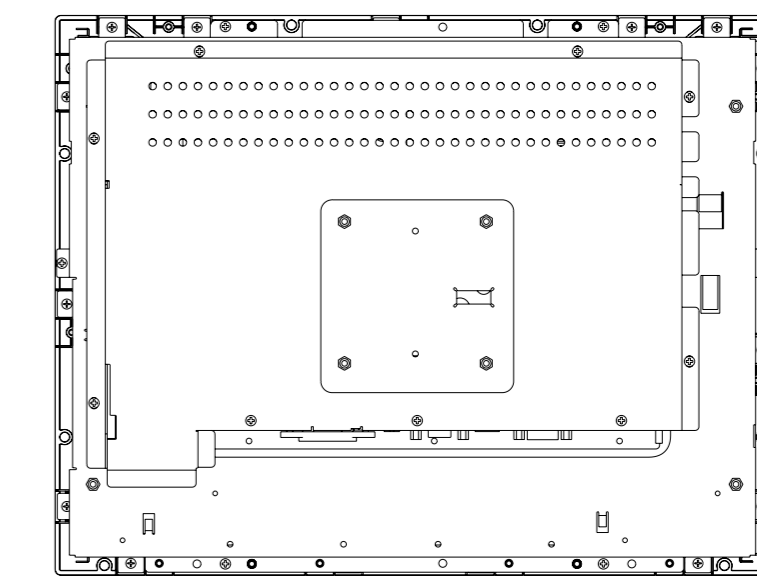
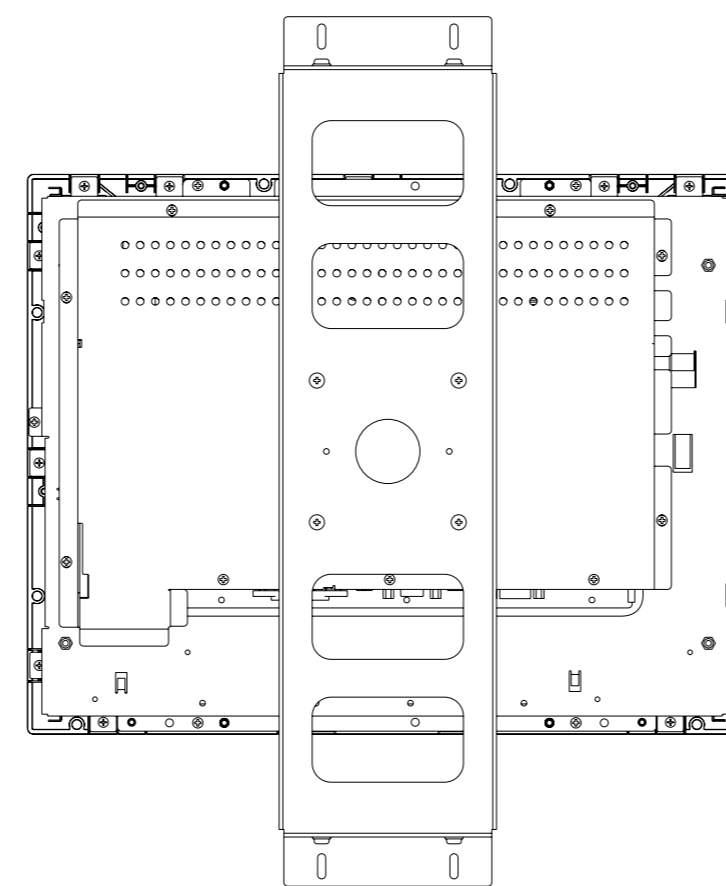
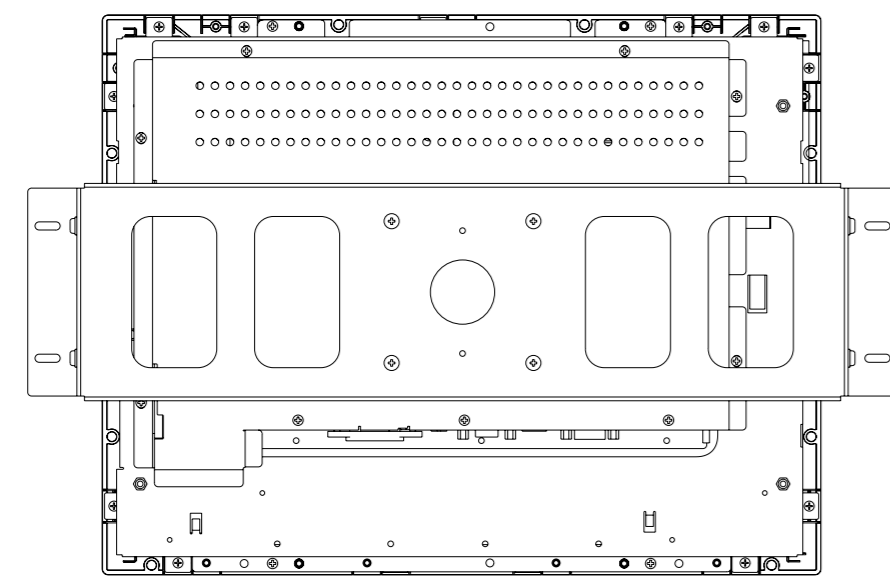
HORIZONTAL INSTALLATION



VERTICAL INSTALLATION



NO BRACKET INSTALLATION



NOTES:

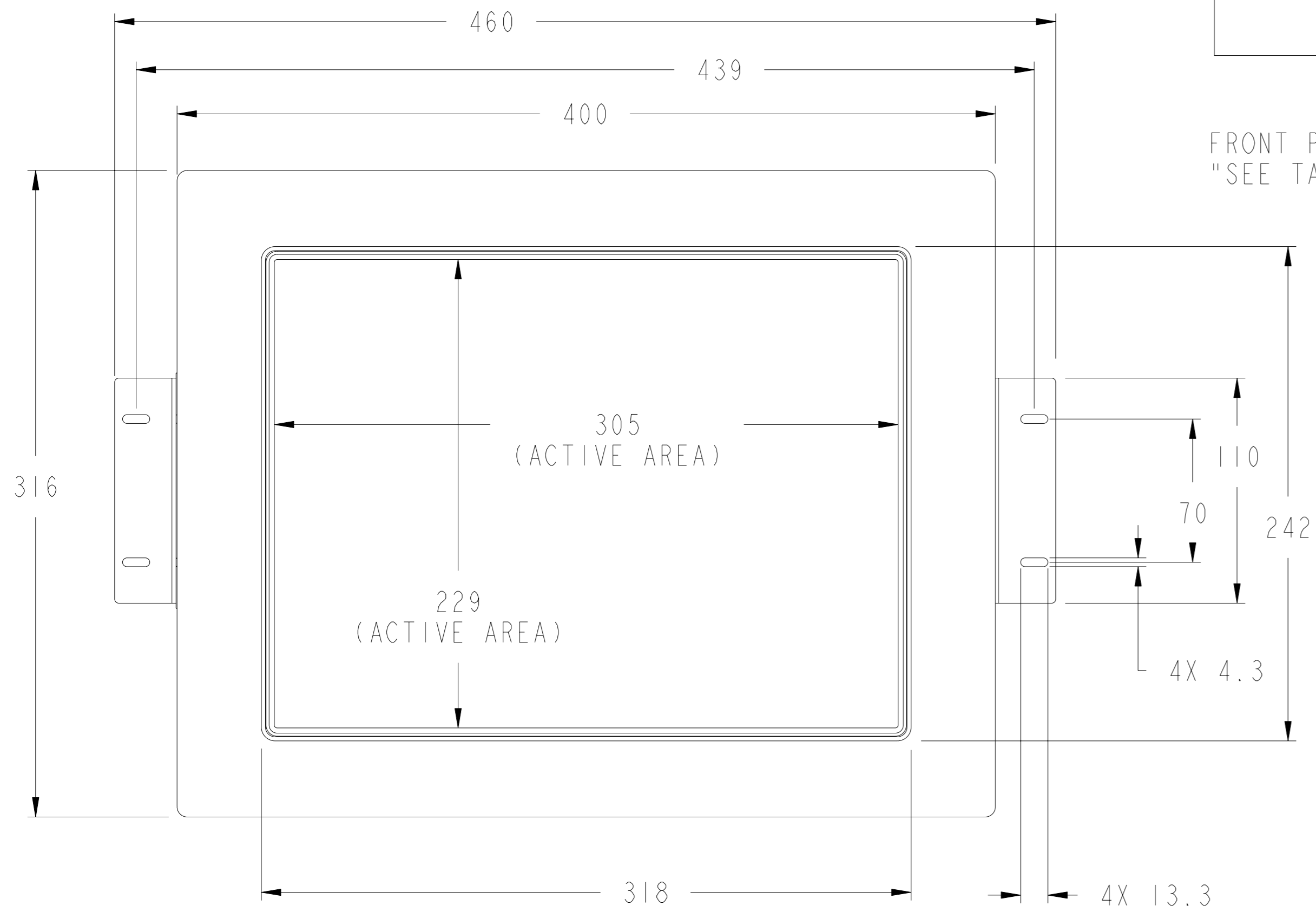
MATERIAL:

1. WOOD:  $\varnothing$ 4.5 HOLES THRU FOR M4 SCREWS W/NUTS, OR, NO THRU HOLES, SCREWS FOR WOOD  $\varnothing$ 4mm,
2. SHEET METAL: CONCEALED HEAD THREADED STUDS M4 W/NUTS.

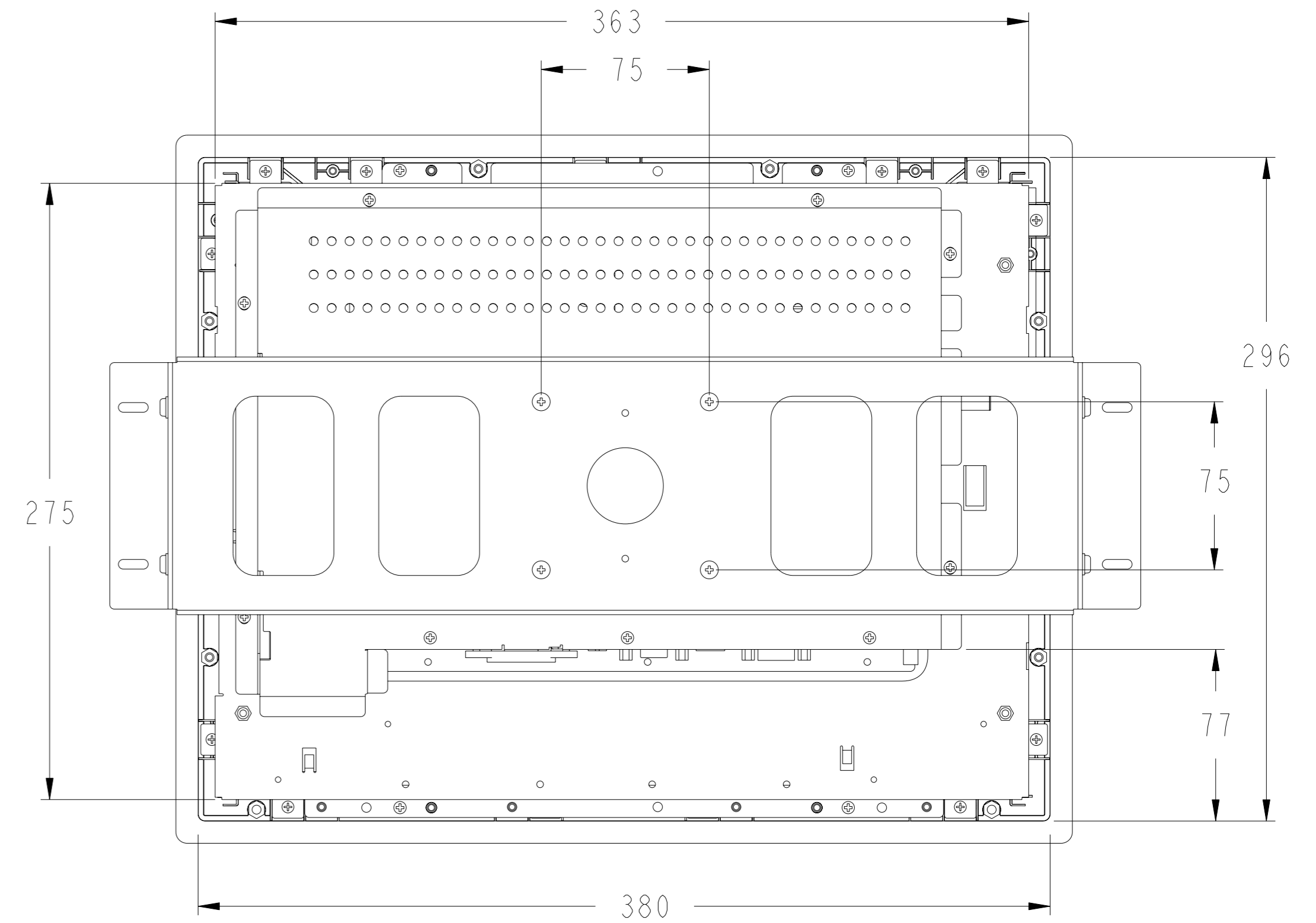
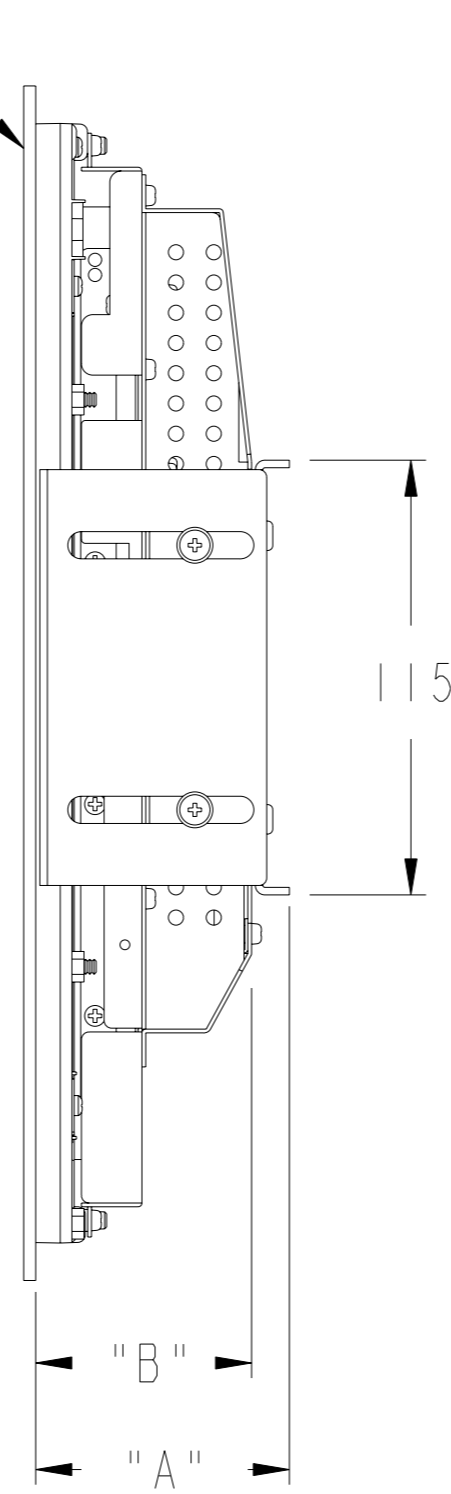
NOTE:

3D FILES AVAILABLE.

**FRONT MOUNT  
MODEL ET1567L SERIES**

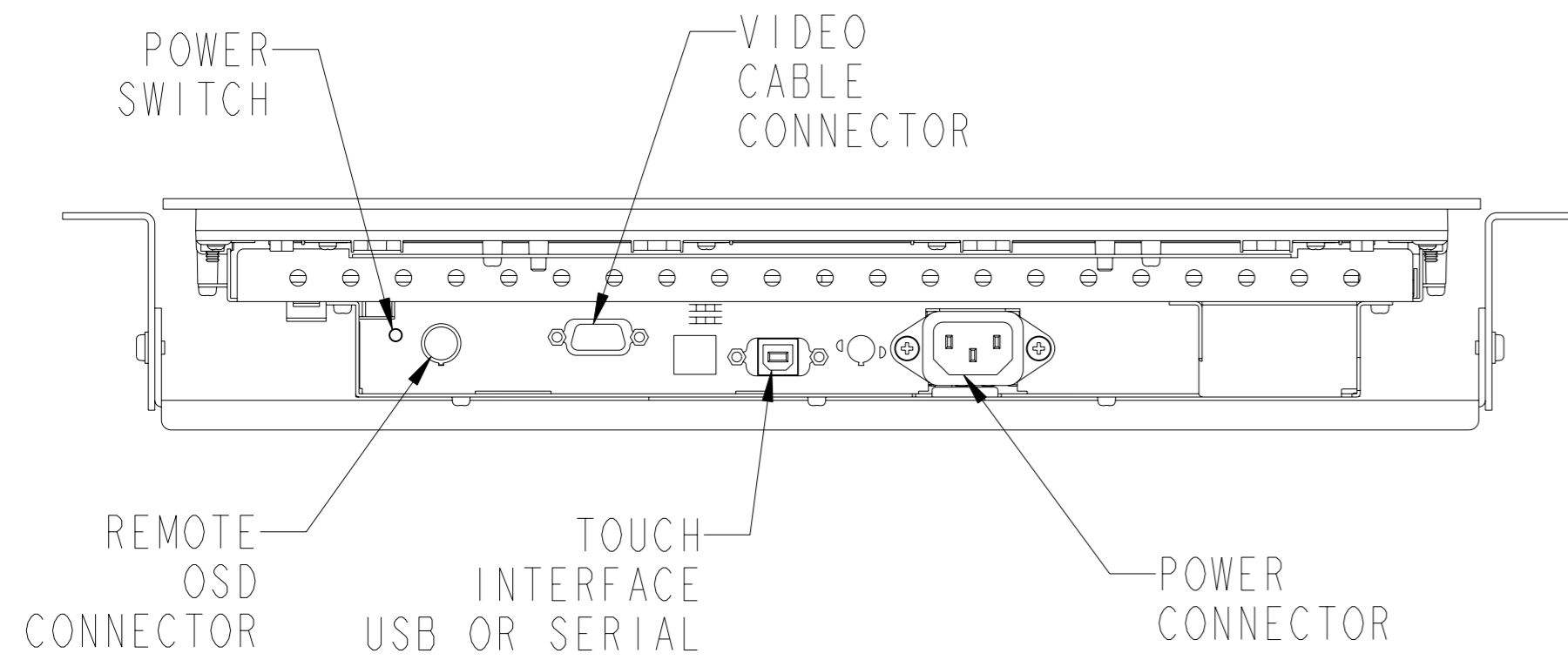


FRONT PANEL  
"SEE TABLE"



**FRONT PANEL**

PIP NUMBER	PIP DESCRIPTION	MATERIAL	COUNTRY
C72404-000	ELO-PLATE-15MODULAR	3mm THICK ALUMINUM BLACK ANODIZED	NORTH AMERICA ONLY
A82804-000	ELO-BEZEL-15MOD -SST2-BK	2mm THICK STAINLESS STEEL BLACK POWDERCOAT	EURO ONLY
D82339-000	ELO-BEZEL-15MOD -SST2	2mm THICK STAINLESS STEEL BRUSHED FINISH	EURO ONLY



**USE WITH ELO MONITORS**

PART NUMBER	*PART DESCRIPTION*	"A"	"B"
851660-000	ET1567L-0NWC-1	67.3	57
057710-000	ET1567L-7SWC-1	67.3	57
432574-000	ET1567L-7UWC-1	67.3	57
046906-000	ET1567L-8SWC-1	67.3	57
252302-000	ET1567L-8UWC-1	67.3	57
463718-000	ET1567L-6SWC-1	70.3	60
073496-000	ET1567L-6UWC-1	70.3	60

PART NUMBER	PART DESCRIPTION	"A"	"B"
056986-000	ET1547L-0NWC-1	67.3	57
516452-000	ET1547L-7SWC-1	67.3	57
C32978-000	ET1547L-7UWC-1	67.3	57
823428-000	ET1547L-8SWC-1	67.3	57
576426-000	ET1547L-8UWC-1	67.3	57
C80308-000	ET1547L-6SWC-1	70.3	60
A65349-000	ET1547L-6UWC-1	70.3	60
387888-000	ET1547L-9SWC-1	70.5	61.5
F10657-000	ET1547L-9UWC-1	70.5	61.5
C59911-000	ET1547L-3CWC-1	67.3	57

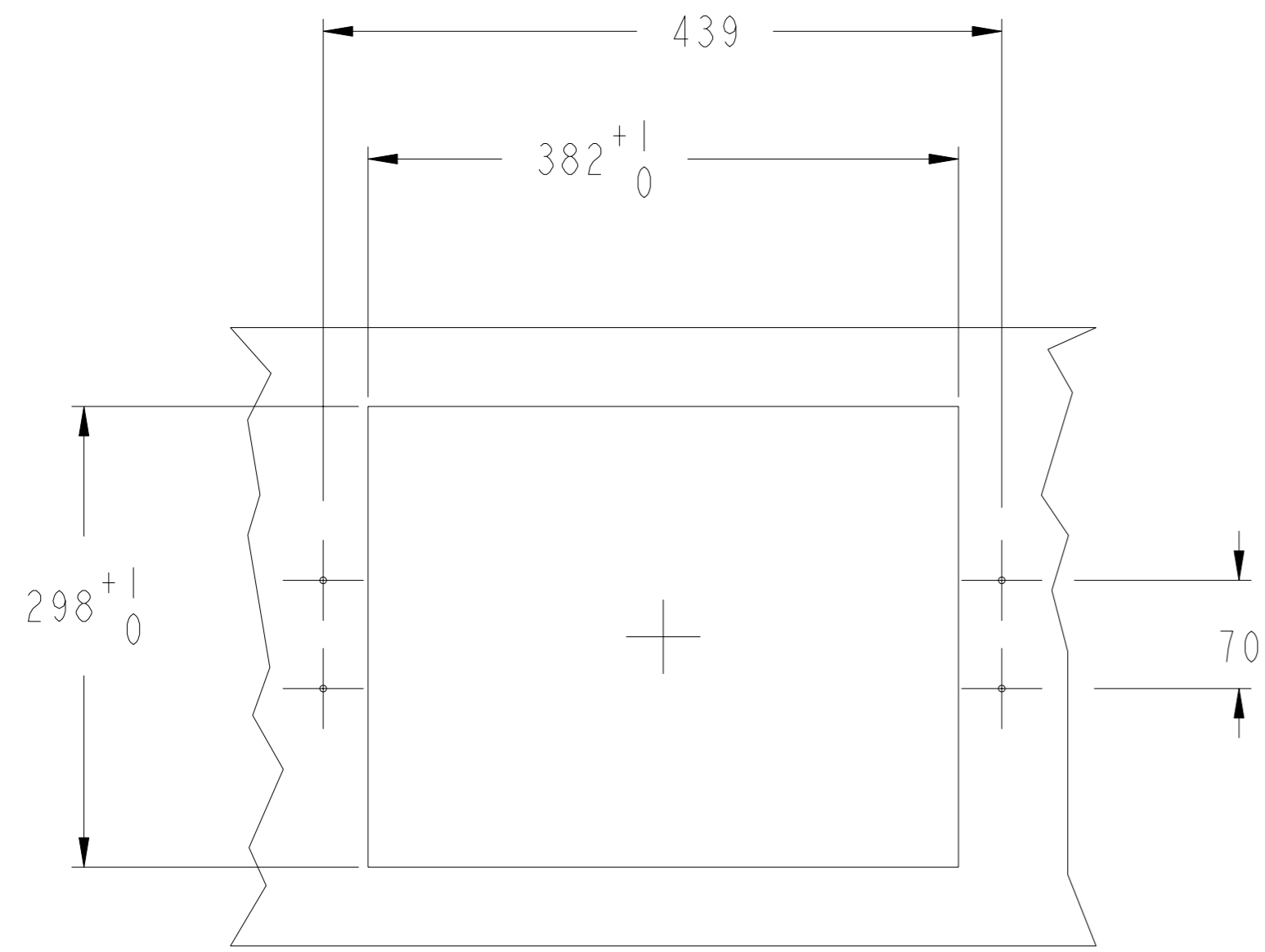
\*1567L SERIES MONITOR COMES WITH FRONT MOUNT BEZEL C72404-000 PRE-ASSEMBLED

DIMENSIONS ARE IN MILLIMETERS

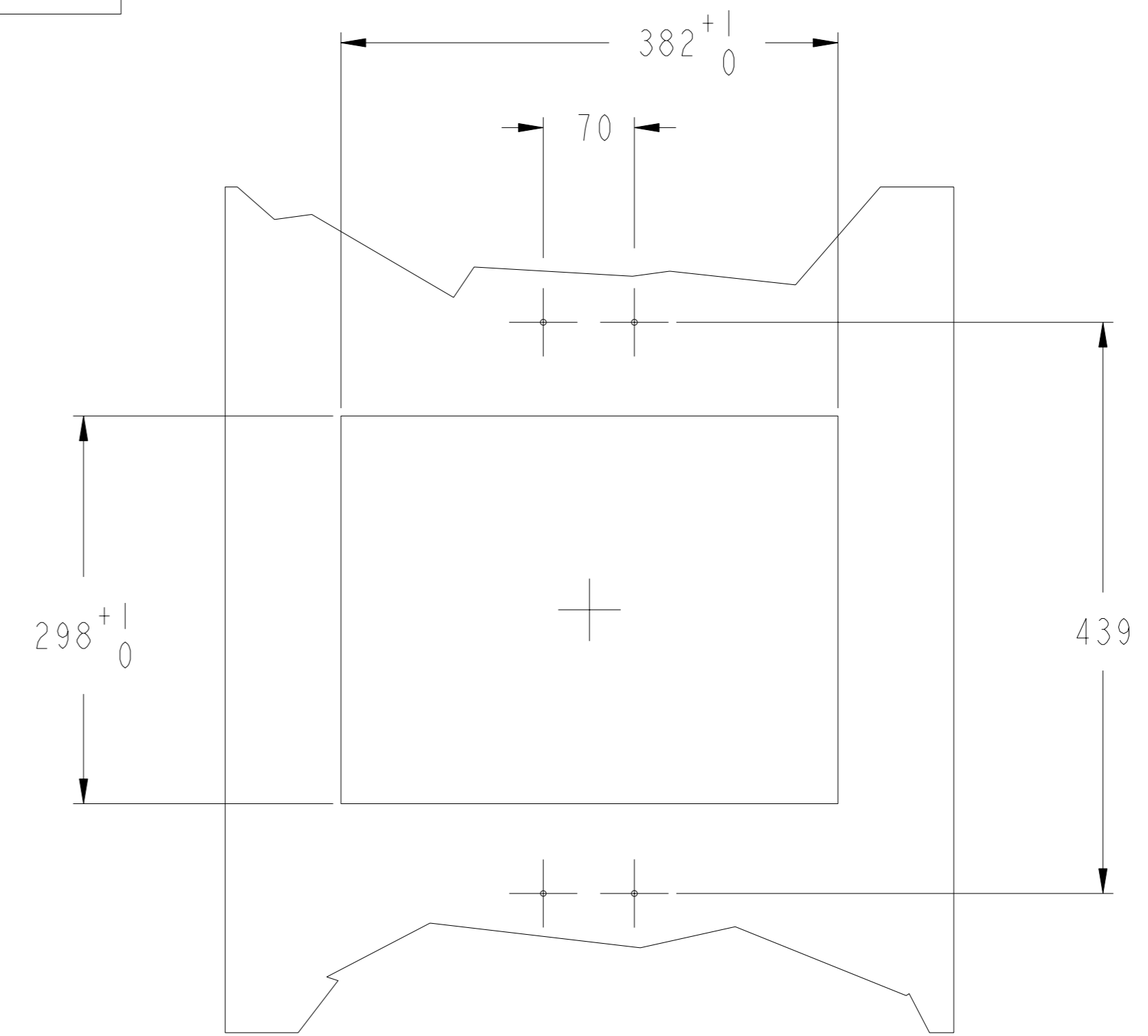
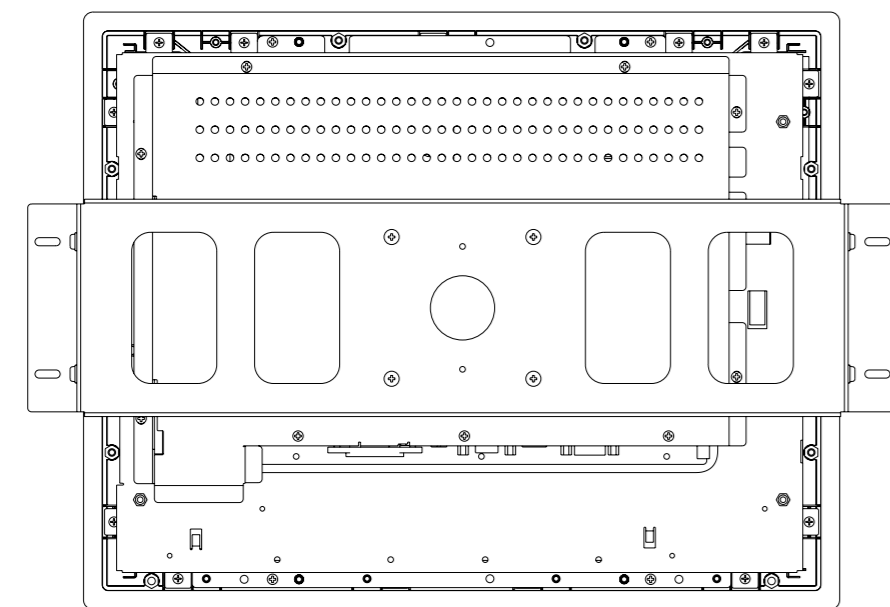
SHEET 3 OF 6  
SCALE 1:2



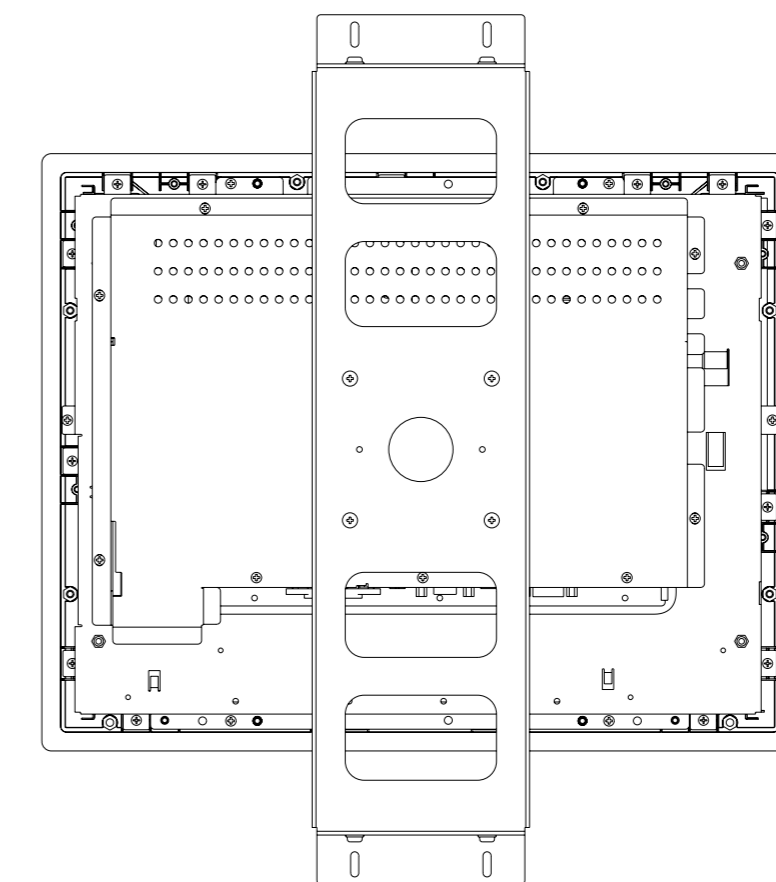
FRONT MOUNT  
PLATE CUT OUT



HORIZONTAL INSTALLATION



VERTICAL INSTALLATION



NOTES:

MATERIAL:

1. WOOD:  $\varnothing 4.5$  HOLES THRU FOR M4 SCREWS W/NUTS,  
OR, NO THRU HOLES, SCREWS FOR WOOD  $\varnothing 4\text{mm}$ ,
2. SHEET METAL: CONCEALED HEAD THREADED STUDS M4 W/NUTS.

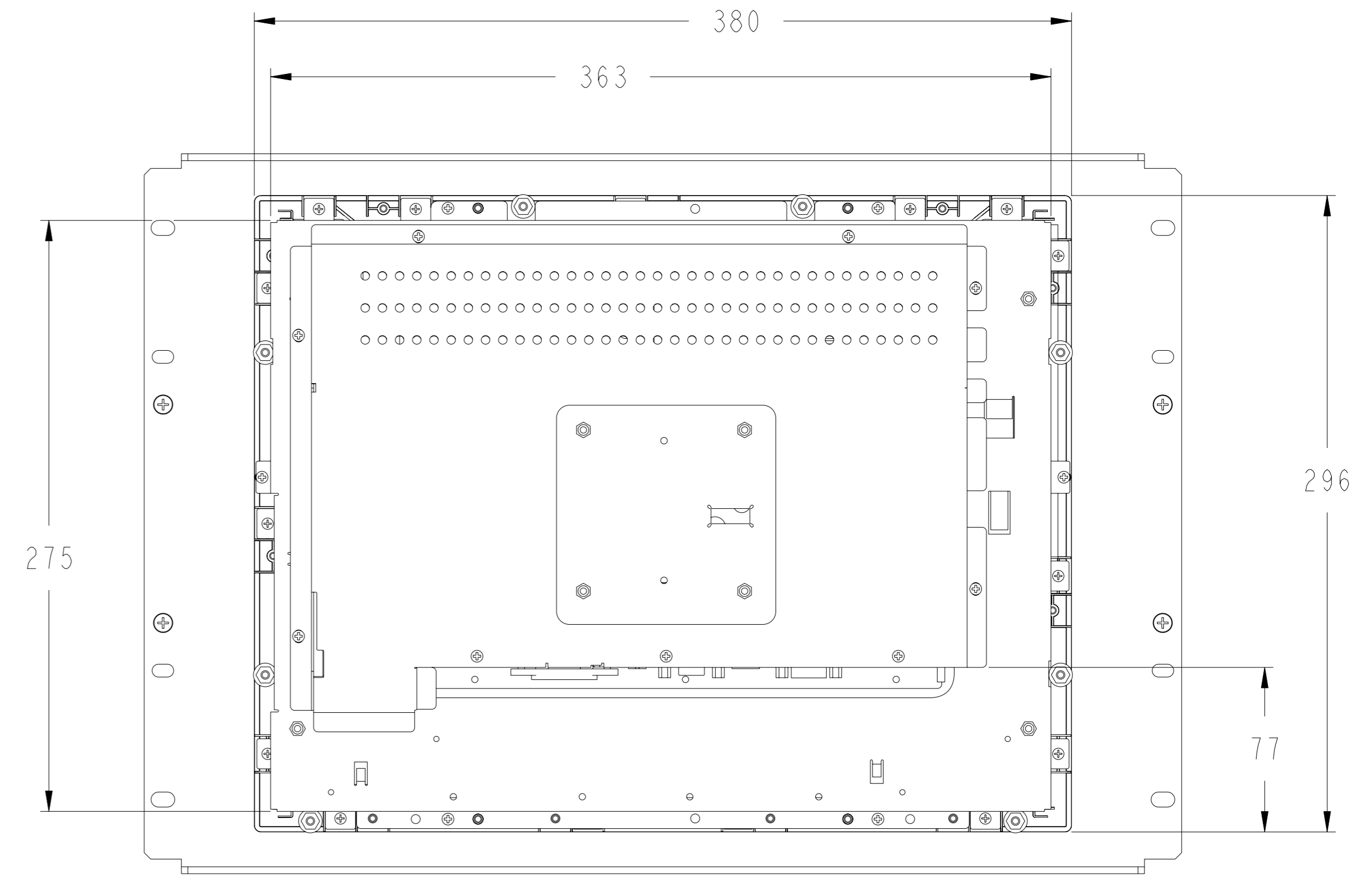
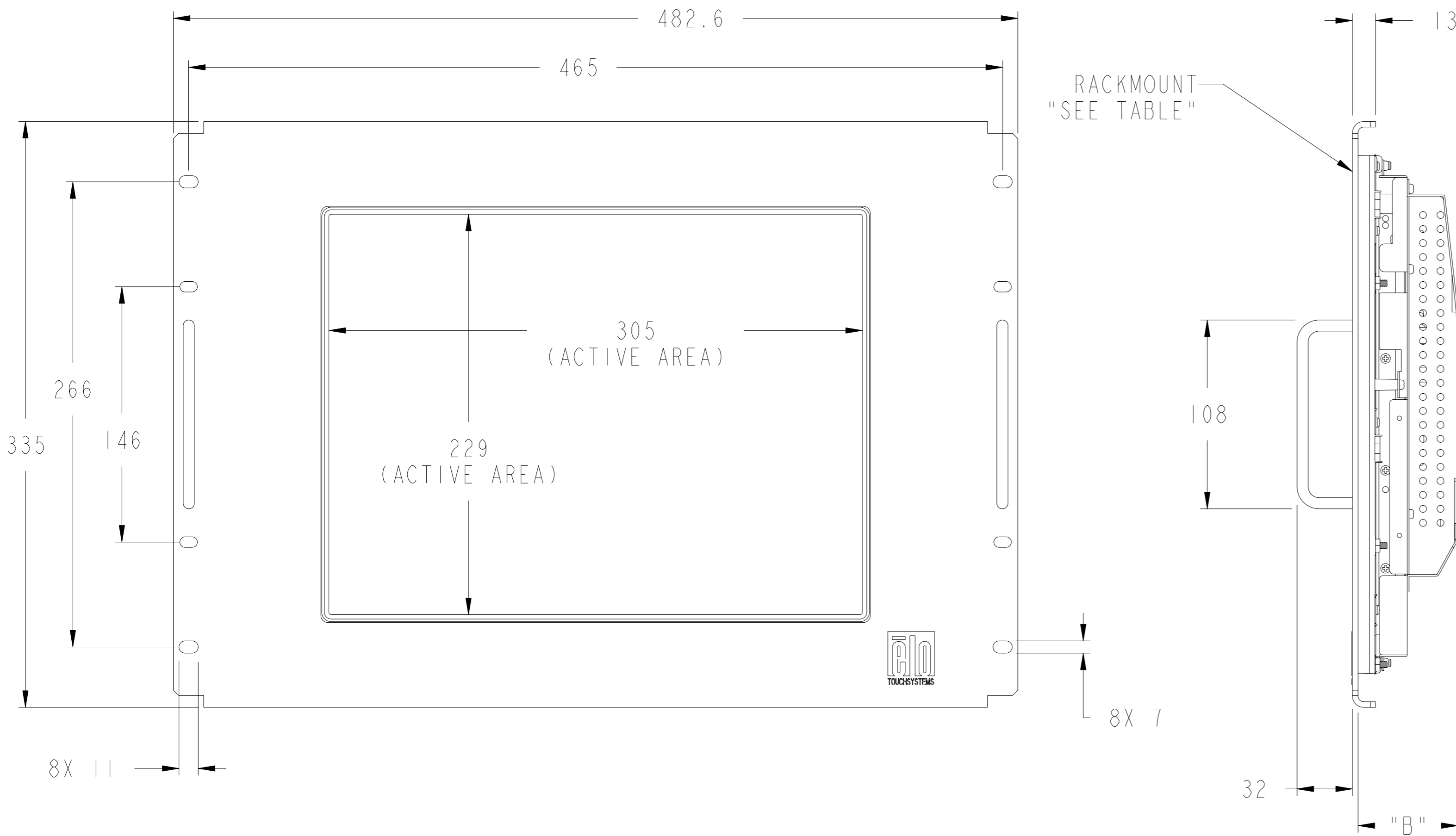
DIMENSIONS ARE IN MILLIMETERS

SHEET 4 OF 6

NOTE:

3D FILES AVAILABLE.

**RACKMOUNT  
MODEL ET1547L SERIES  
FOR 19" COMPUTER RACKS  
(NORTH AMERICA ONLY)**

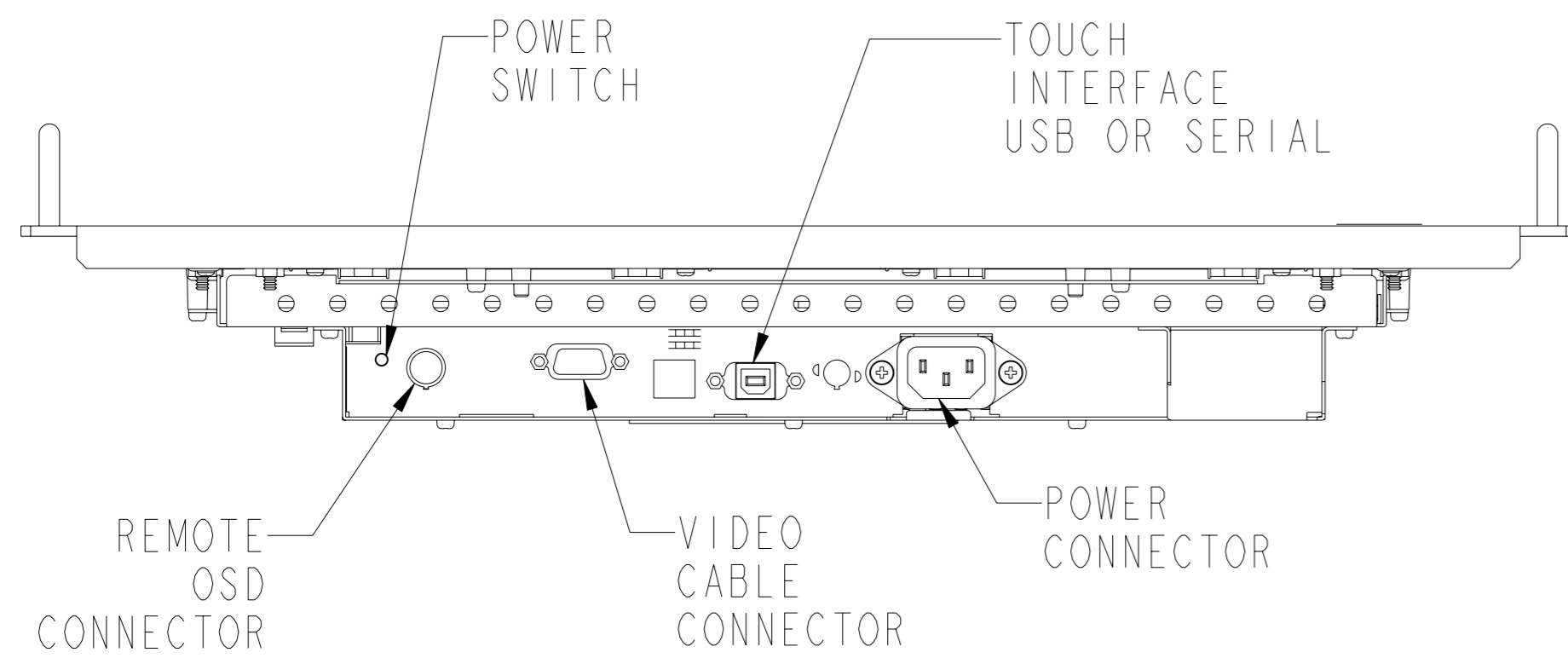


**RACKMOUNT**

PIP NUMBER	PIP DESCRIPTION
D84822-000	ELO-15INCH-RACKMOUNT-BKT

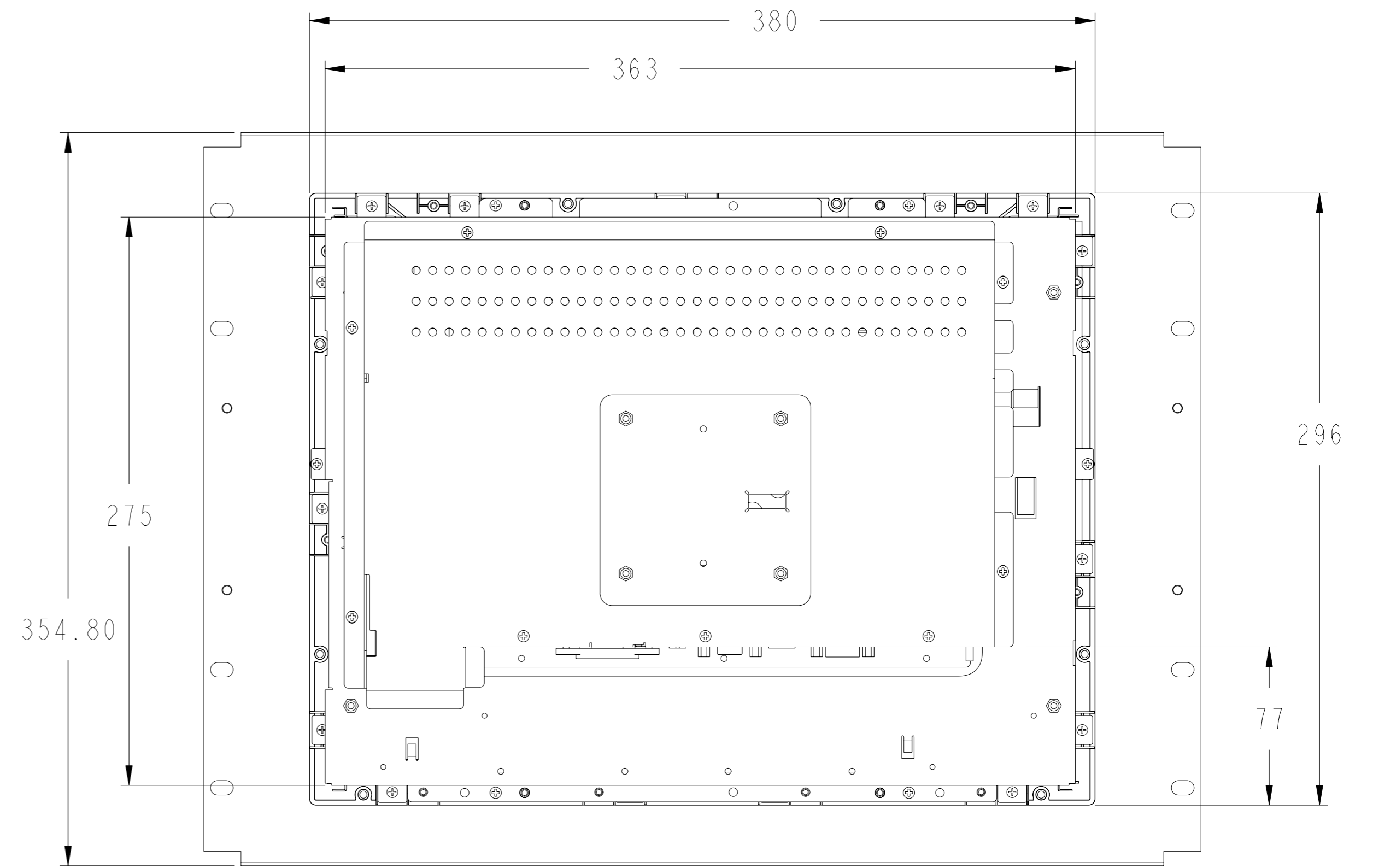
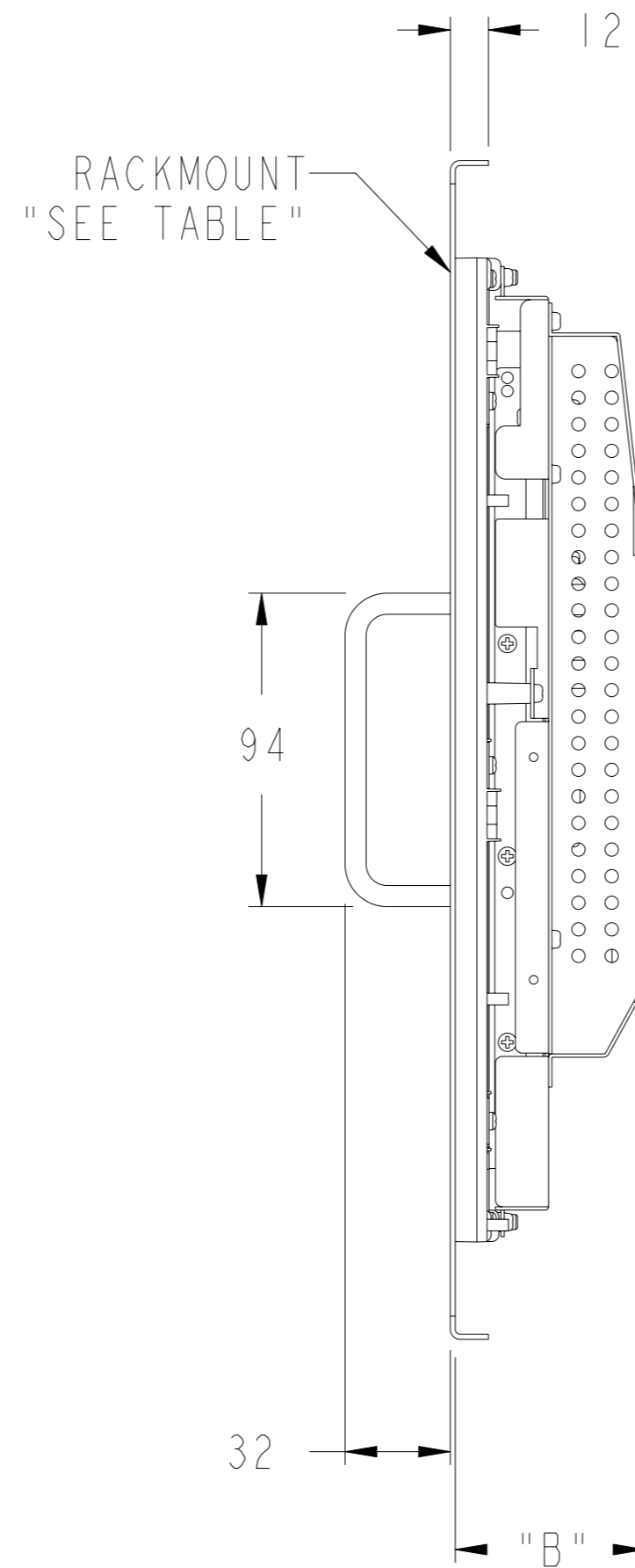
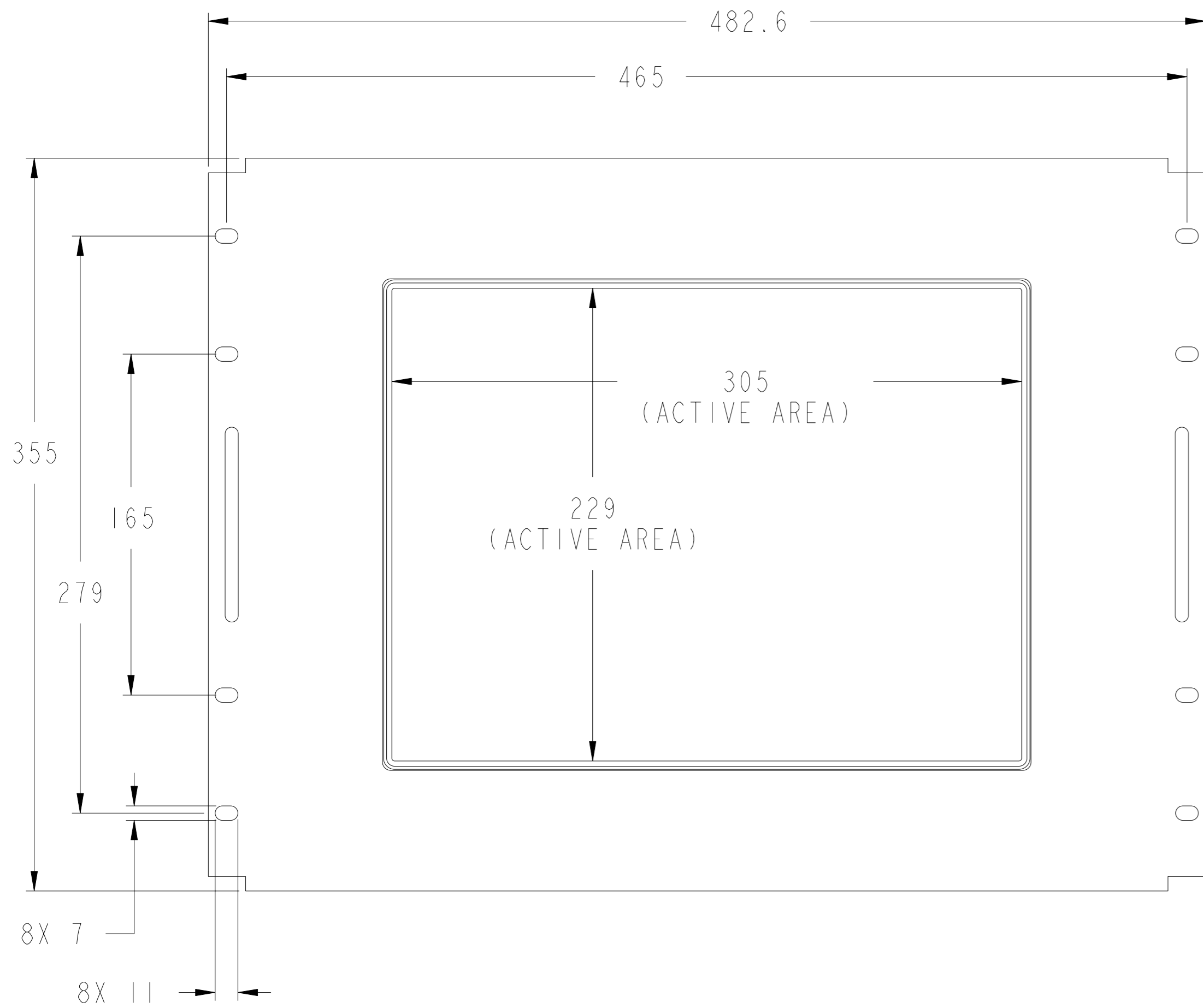
**USE WITH ELO MONITORS**

PART NUMBER	PART DESCRIPTION	"B"
056986-000	ET1547L-0NWC-1	57
C80308-000	ET1547L-6SWC-1	57
A65349-000	ET1547L-6UWC-1	57
516452-000	ET1547L-7SWC-1	57
C32978-000	ET1547L-7UWC-1	57
823428-000	ET1547L-8SWC-1	60
576426-000	ET1547L-8UWC-1	60
387888-000	ET1547L-9SWC-1	61.5
F10657-000	ET1547L-9UWC-1	61.5
F10657-000	ET1547L-9UWC-1	57
C59911-000	ET1547L-3CWC-1	57



DIMENSIONS ARE IN MILLIMETERS

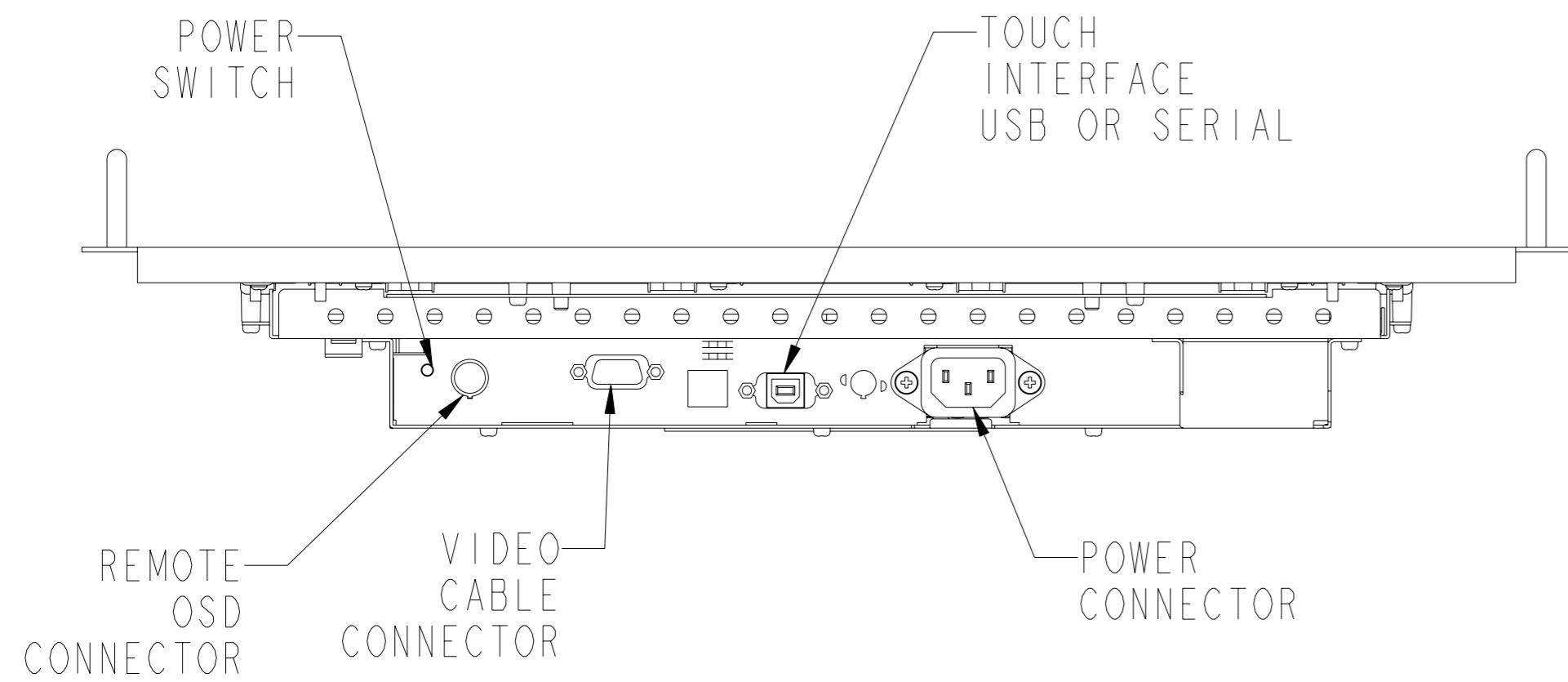
**RACKMOUNT  
MODEL ET1547L SERIES  
FOR 19" COMPUTER RACKS  
(EUROPE ONLY)**



PIP NUMBER	PIP DESCRIPTION
F40623-000	ELO-BEZEL-15MOD-RACK2-DG

**USE WITH ELO MONITORS**

PART NUMBER	PART DESCRIPTION	"B"
056986-000	ET1547L-0NWC-1	57
C80308-000	ET1547L-6SWC-1	57
A65349-000	ET1547L-6UWC-1	57
516452-000	ET1547L-7SWC-1	57
C32978-000	ET1547L-7UWC-1	57
823428-000	ET1547L-8SWC-1	60
576426-000	ET1547L-8UWC-1	60
387888-000	ET1547L-9SWC-1	61.5
F10657-000	ET1547L-9UWC-1	61.5
C59911-000	ET1547L-3CWC-1	60



DIMENSIONS ARE IN MILLIMETERS