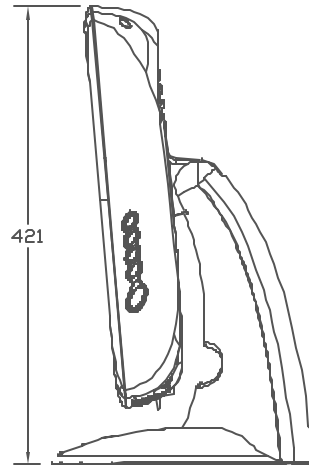
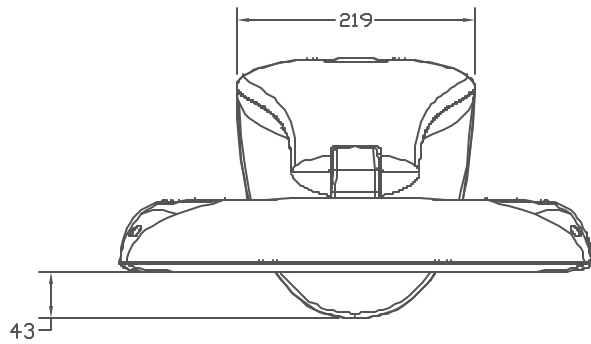
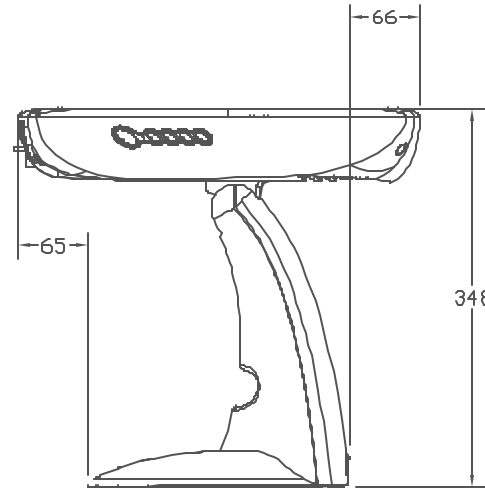


17" LCD DESKTOP MONITOR, 3000 SERIES

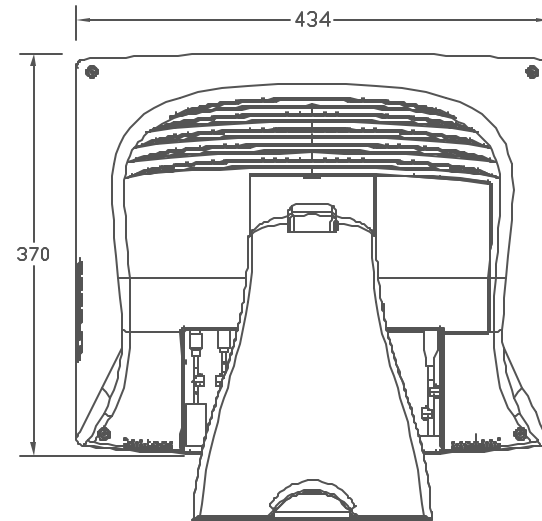
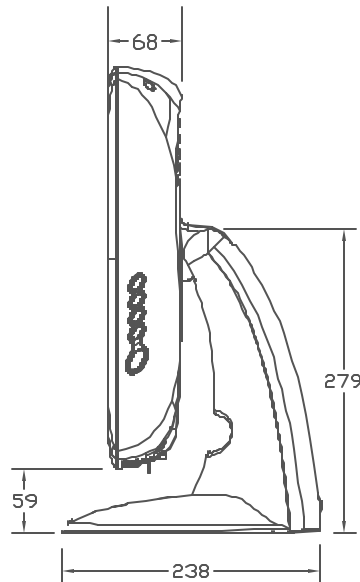
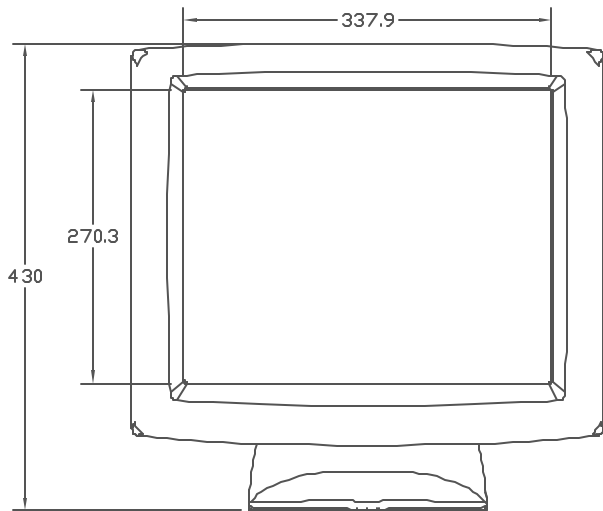


FORWARD TILT - 5° FROM VERTICAL



AFT TILT - 90° FROM VERTICAL

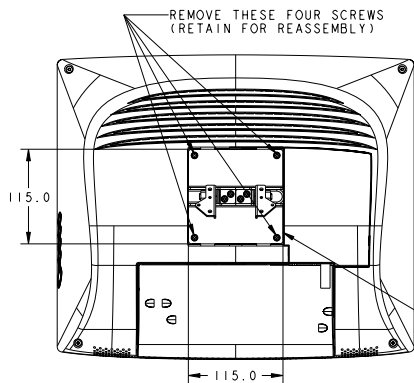
| PART NUMBER TABULATION |                   |
|------------------------|-------------------|
| PIP NUMBER             | PIP DESCRIPTION   |
| 889D4B-000             | ET1725L-0NVB-L    |
| 954174-000             | ET1725L-7SWB-L    |
| 14613B-000             | ET1725L-7SVB-1-NL |
| 069914-000             | ET1725L-7UWB-L    |
| 942352-000             | ET1725L-7UVB-1-NL |
| D00403-000             | ET1725L-8SWB-L    |
| 471972-000             | ET1725L-8SVB-1-NL |
| 442072-000             | ET1725L-8UWB-L    |
| 460028-000             | ET1725L-8UVB-1-NL |
|                        |                   |
| E89964-000             | ET1727L-0NVB-L    |
| 482392-000             | ET1727L-7SWB-L    |
| E27258-000             | ET1727L-7UWB-L    |
| 033055-000             | ET1727L-8SWB-L    |
| 869B90-000             | ET1727L-8UWB-L    |



DIMENSIONS ARE IN MILLIMETERS/INCHES

ET1725L/ ET1727L MONITOR MOUNTING OPTIONS

**FIGURE 1) STAND AND DISPLAY SEPARATION**  
(BASE REMOVED FOR EASE OF VIEW)



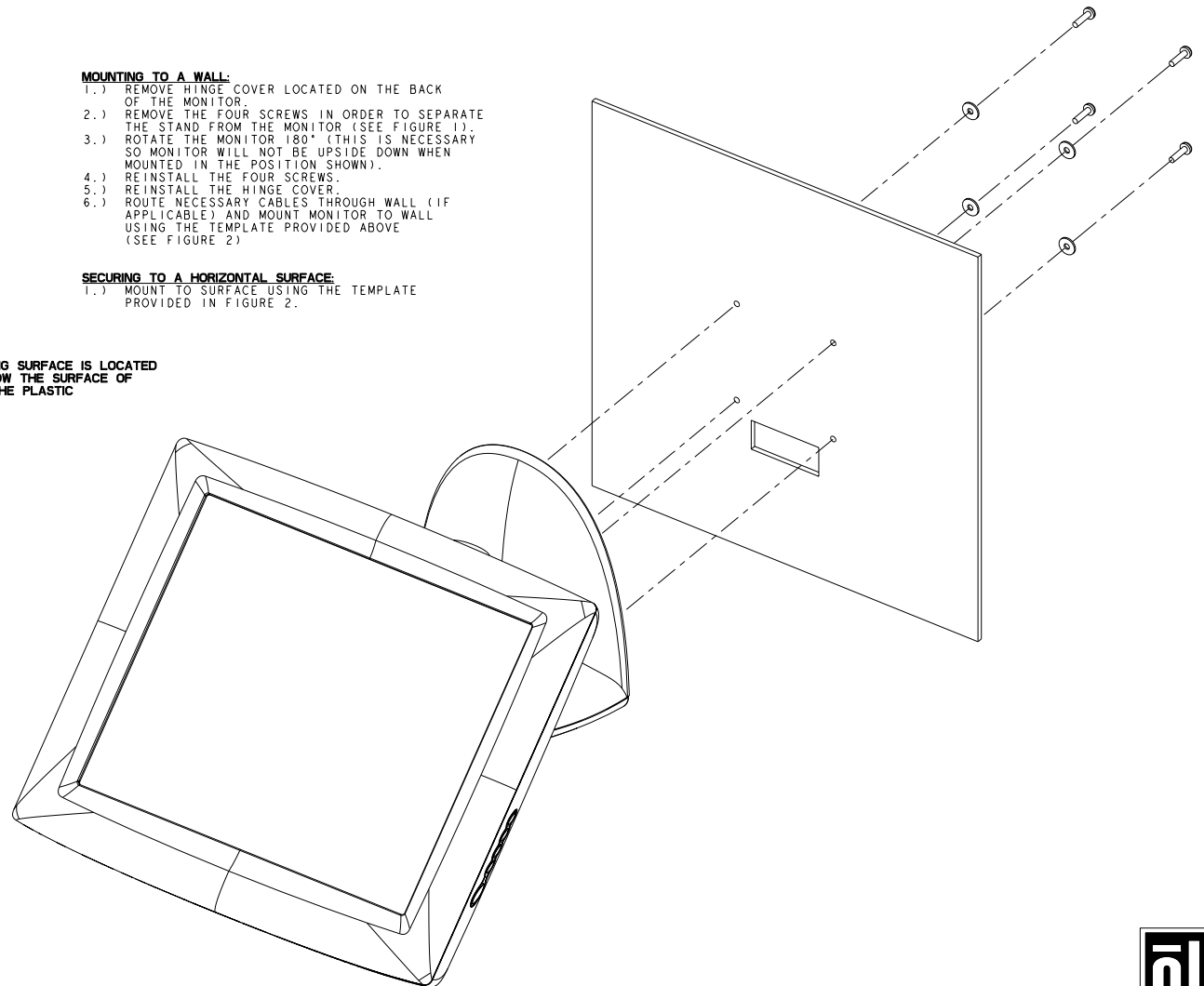
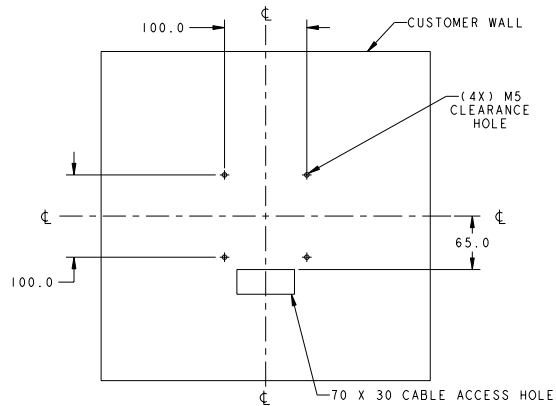
**MOUNTING TO A WALL:**

- 1.) REMOVE HINGE COVER LOCATED ON THE BACK OF THE MONITOR.
- 2.) REMOVE THE FOUR SCREWS IN ORDER TO SEPARATE THE STAND FROM THE MONITOR (SEE FIGURE 1).
- 3.) ROTATE THE MONITOR 180° (THIS IS NECESSARY SO MONITOR WILL NOT BE UPSIDE DOWN WHEN MOUNTED IN THE POSITION SHOWN).
- 4.) REINSTALL THE FOUR SCREWS.
- 5.) REINSTALL THE HINGE COVER.
- 6.) ROUTE NECESSARY CABLES THROUGH WALL (IF APPLICABLE) AND MOUNT MONITOR TO WALL USING THE TEMPLATE PROVIDED ABOVE (SEE FIGURE 2)

**SECURING TO A HORIZONTAL SURFACE:**

- 1.) MOUNT TO SURFACE USING THE TEMPLATE PROVIDED IN FIGURE 2.

**FIGURE 2) WALL MOUNT/ SURFACE MOUNT TEMPLATE**



DIMENSIONS ARE IN MILLIMETERS

SHEET 2 OF 2