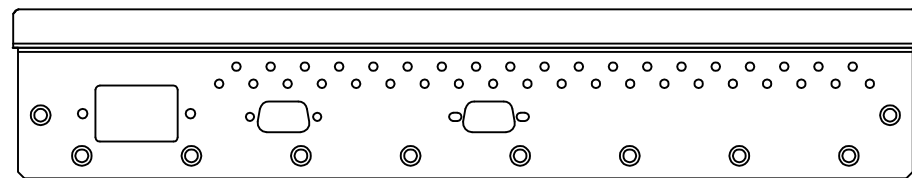
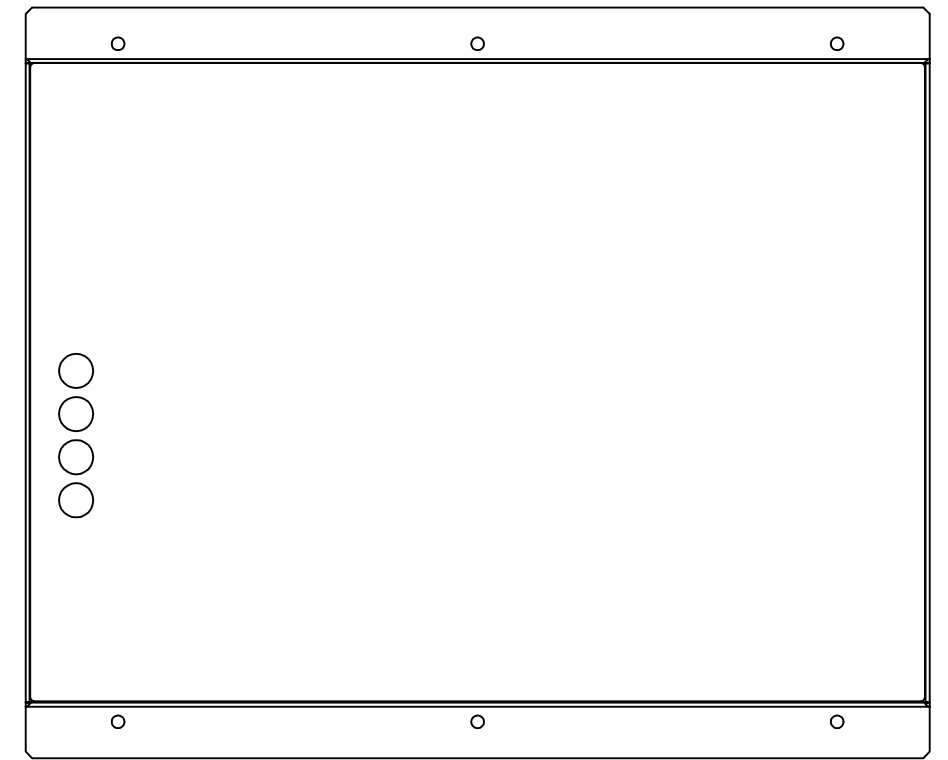
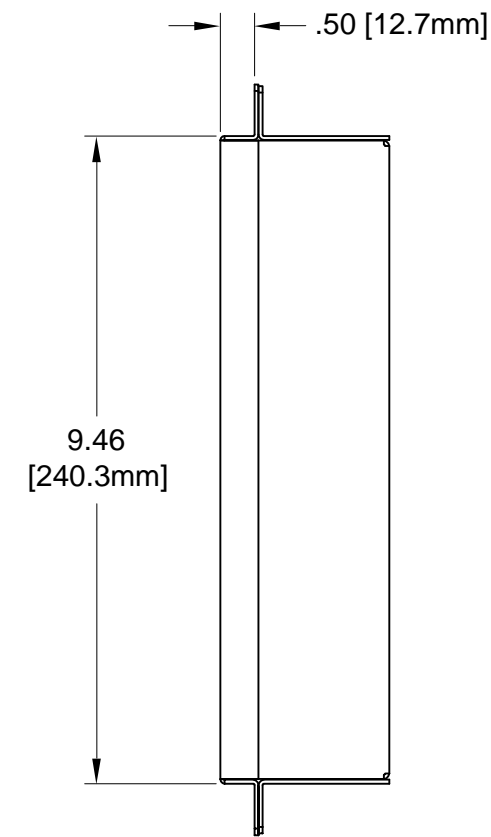
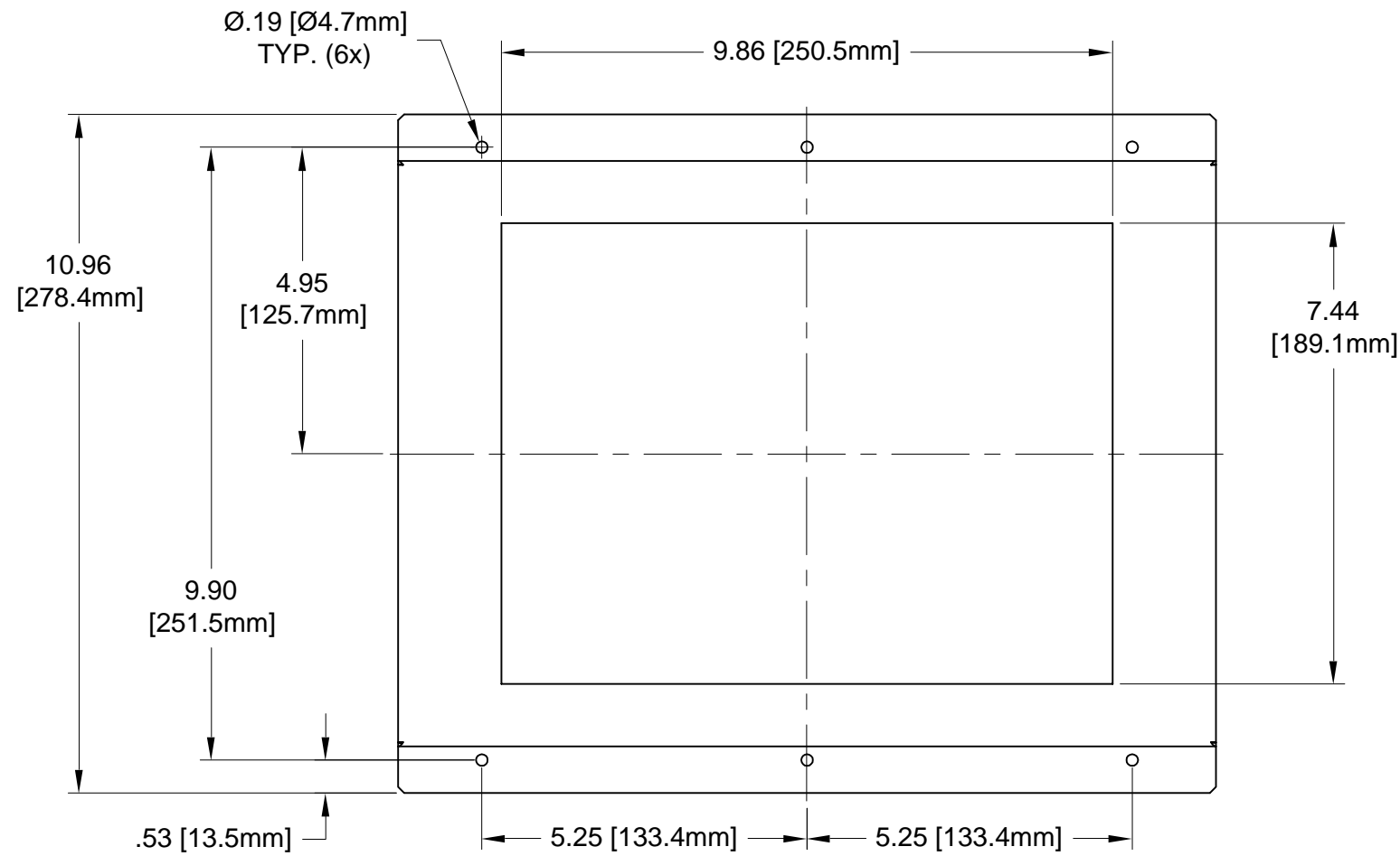
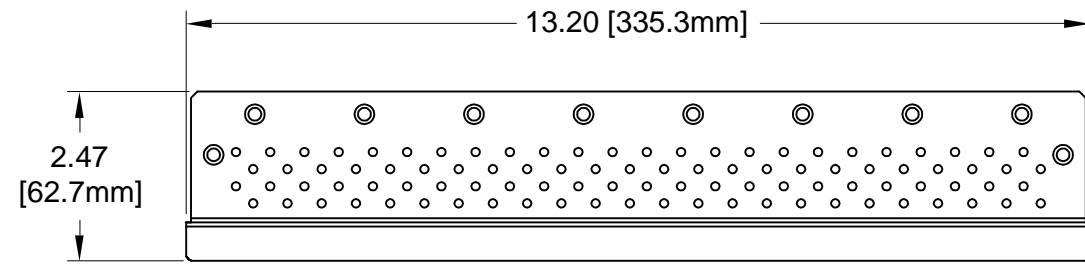


12.1" Rear Mount LCD Touchmonitor



PART NUMBER TABULATION		
PIP NUMBER	PIP DESCRIPTION	
E14601-000	ET1246L-7SWB-1	SERIAL
C02490-000	ET1246L-8SWB-1	
E77251-000	ET1246L-6SWB-1	
C71607-000	ET1246L-7UWB-1	USB
F64532-000	ET1246L-8UWB-1	
D74971-000	ET1246L-6UWB-1	

DIMENSIONS ARE IN INCHES/MILLIMETERS
DRAWING NOT TO SCALE