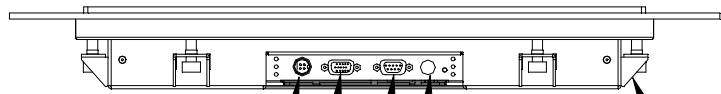
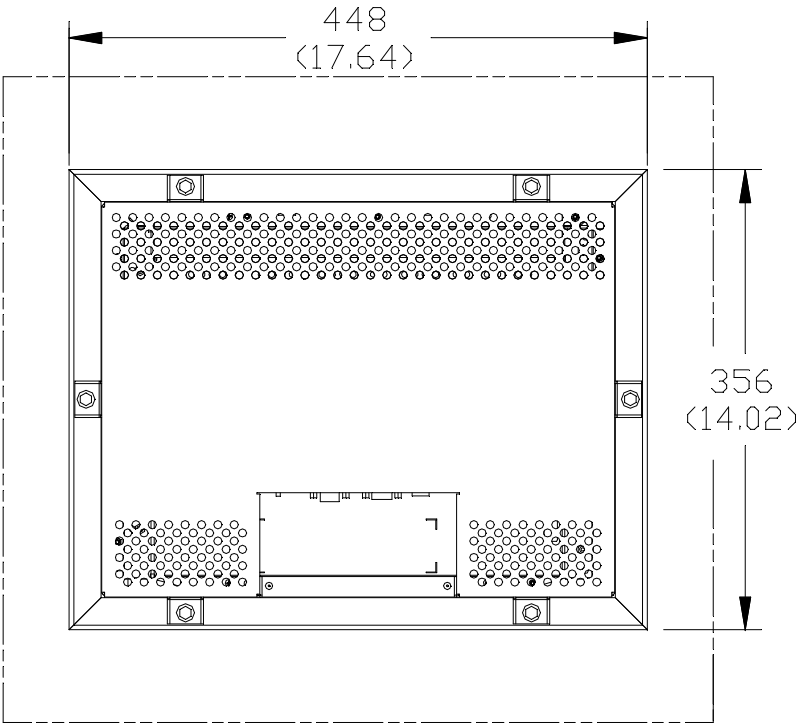
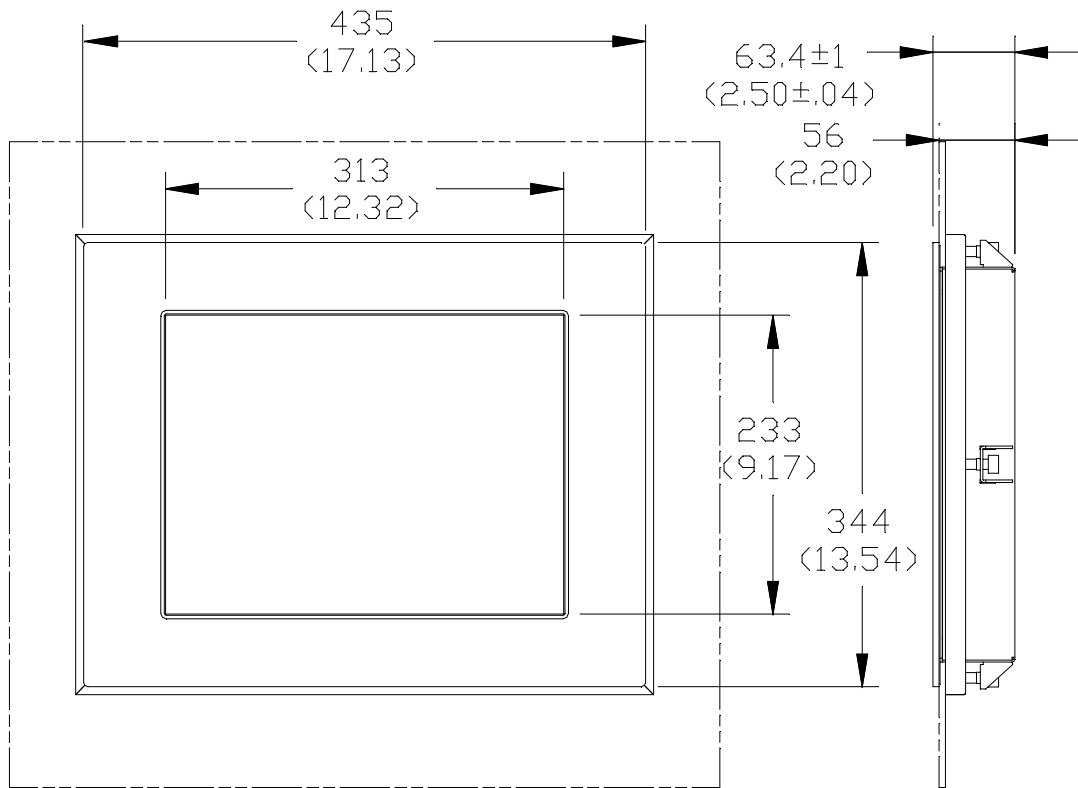


ENTUITIVE 1566L  
15" LCD PANEL MOUNT TOUCHMONITOR

ITEM	P/N
844378-000	ET1566L-7SWA-1



POWER CONNECTOR

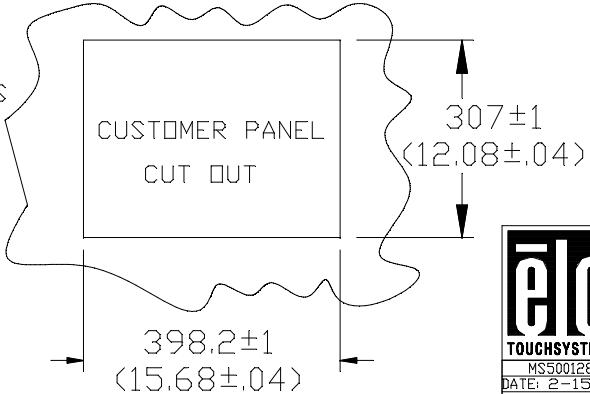
VIDEO CABLE  
CONNECTOR

TOUCH INTERFACE

OSD CONNECTOR

6X INSTALLATION BRACKETS  
WITH M8 SOCKET HEAD CAP  
SCREWS

REFERENCE  
CUSTOMER PANEL  
MAXIMUM THICKNESS IS  
12.7mm (.50)



DIMENSIONS ARE IN MILLIMETERS<INCHES>