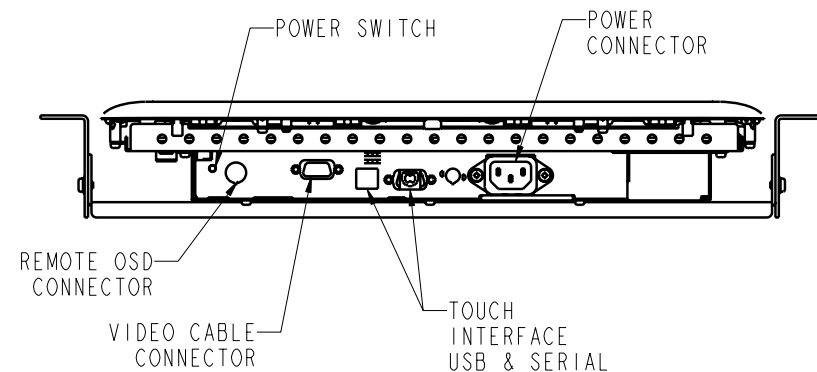
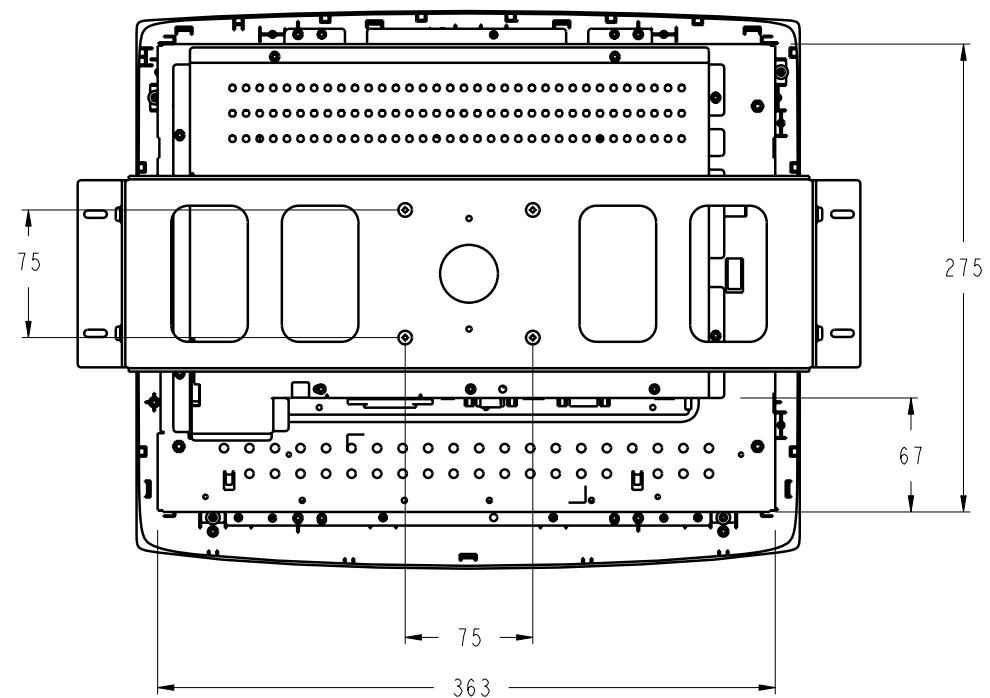
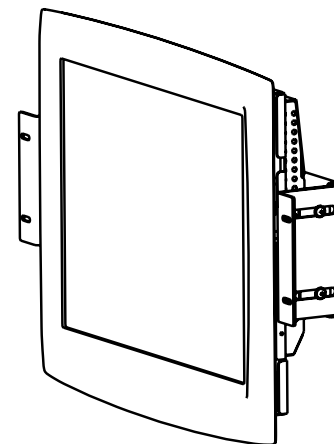
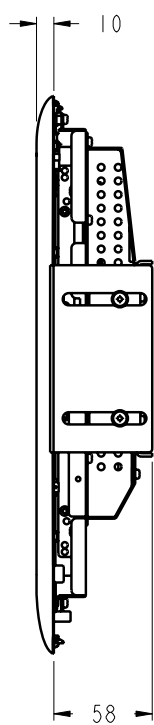
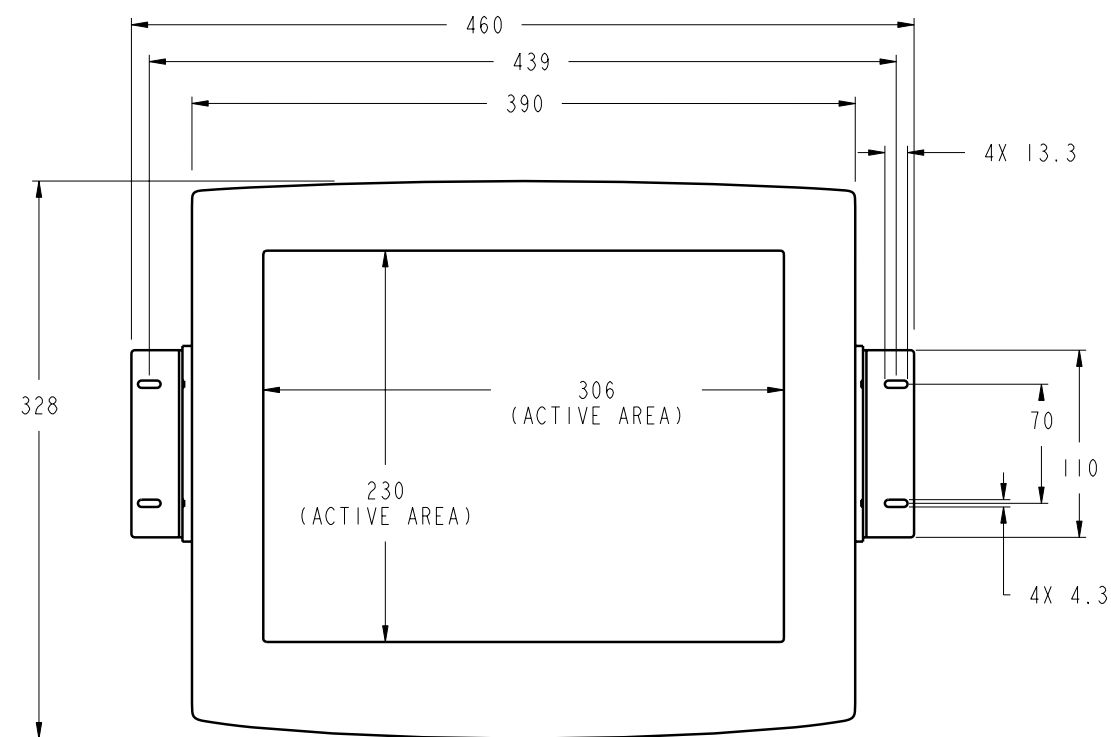


1545L LCD REAR MOUNT  
MARKETING DRAWING



SHT. 1 OF 2

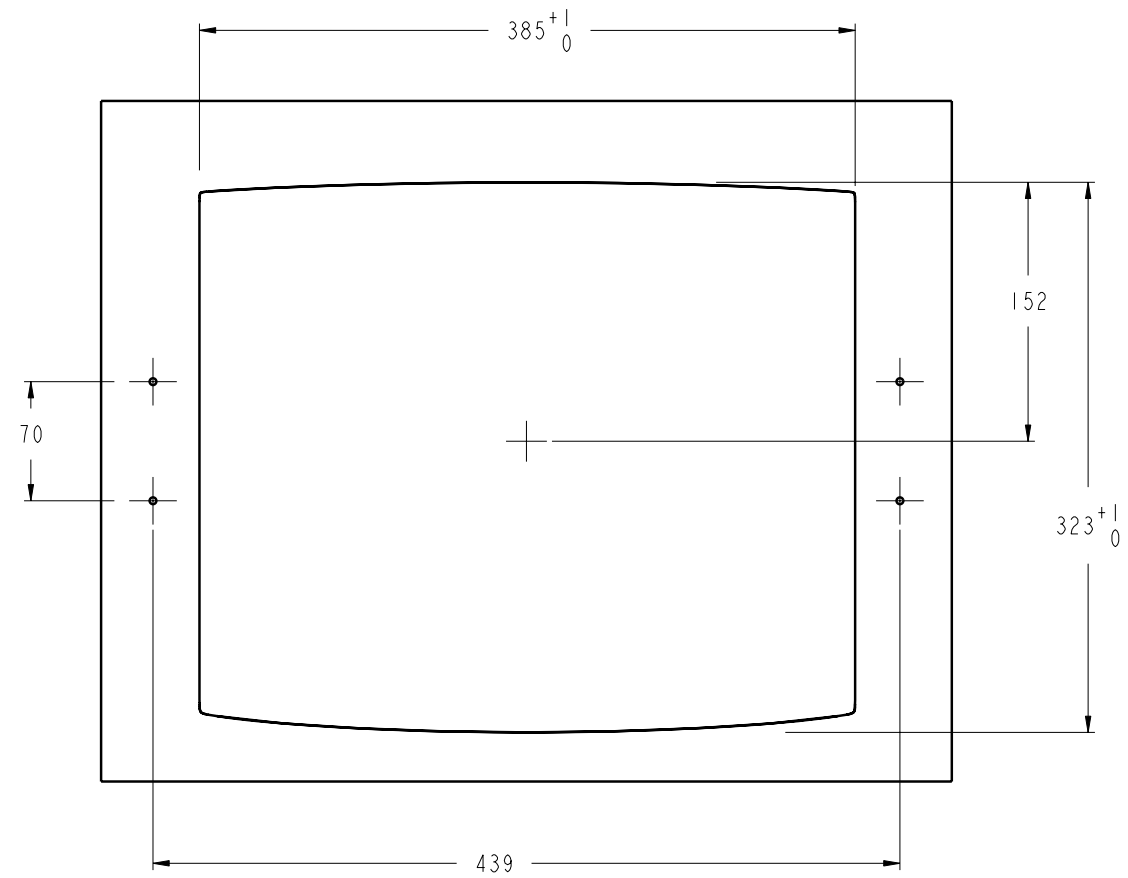
NOTE:  
3D CAD FILES ARE AVAILABLE

PART NUMBER	DESCRIPTION
518812-000	ET1545L-8CWC-I
E90518-000	ET1545L-8CWC-I-NL



DIMENSIONS ARE IN MILLIMETERS/INCHES

1545L LCD MONITOR  
FRONT CUT OUT



FRONT MOUNT

NOTE:  
USE CAD FILES (DWG) TO CUT HOLES.  
ARCHS ARE COMPOUND SPLINES.

DIMENSIONS ARE IN MILLIMETERS/INCHES

SHEET 2 OF 2

