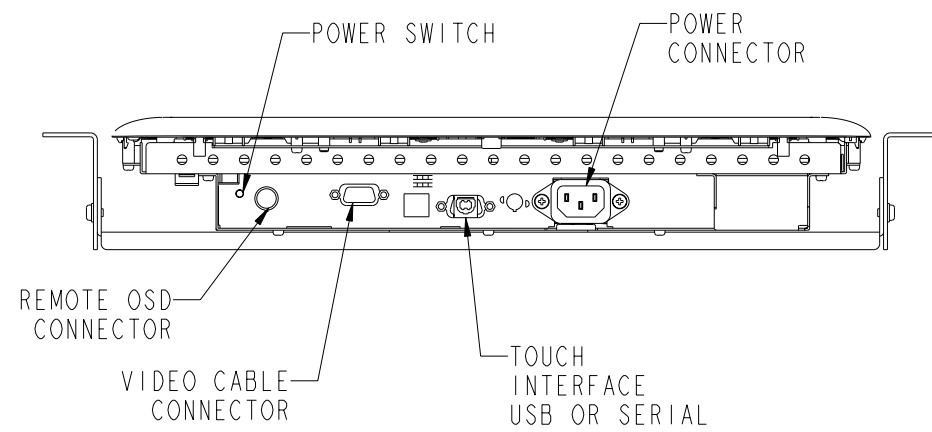
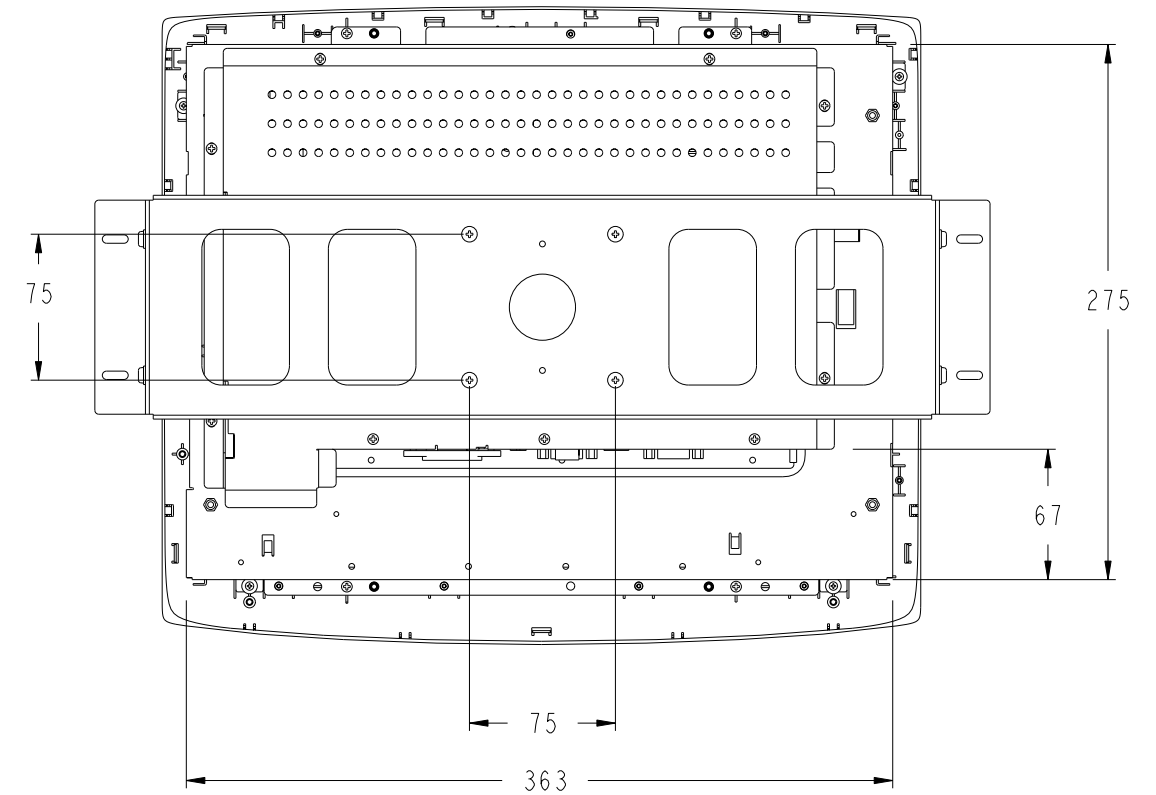
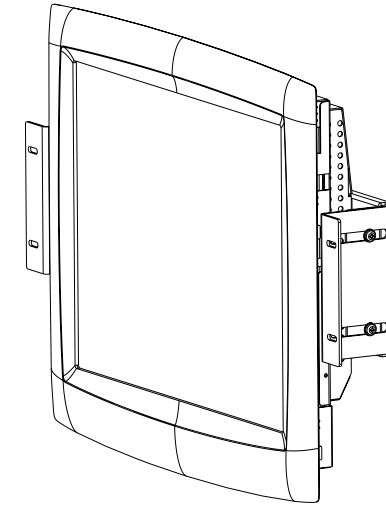
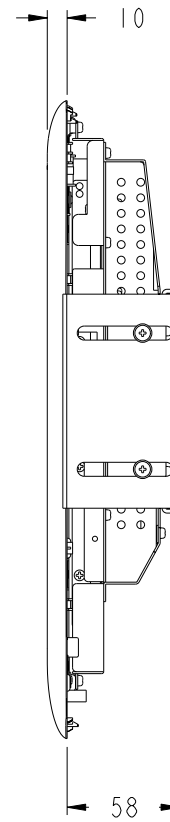
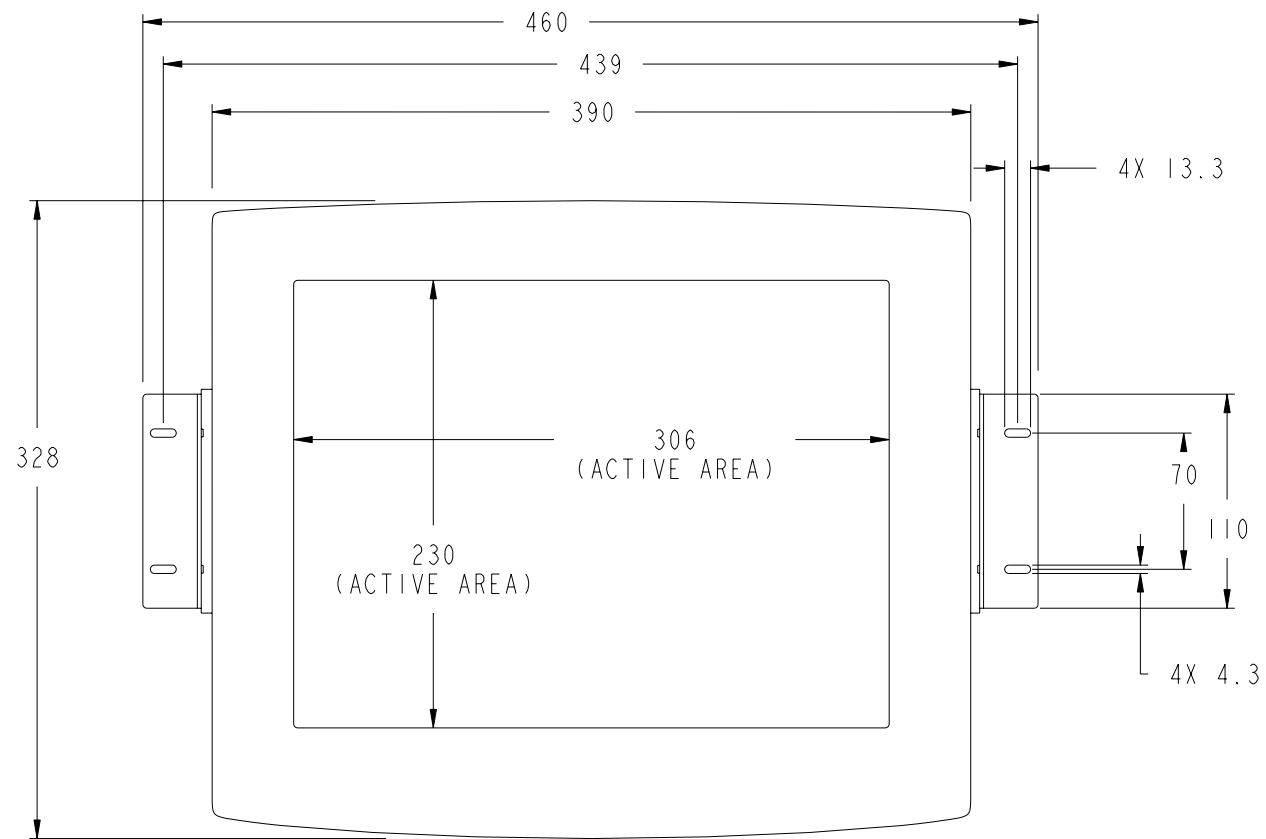


1545L LCD REAR MOUNT
MARKETING DRAWING



NOTE:
3D CAD FILES ARE AVAILABLE

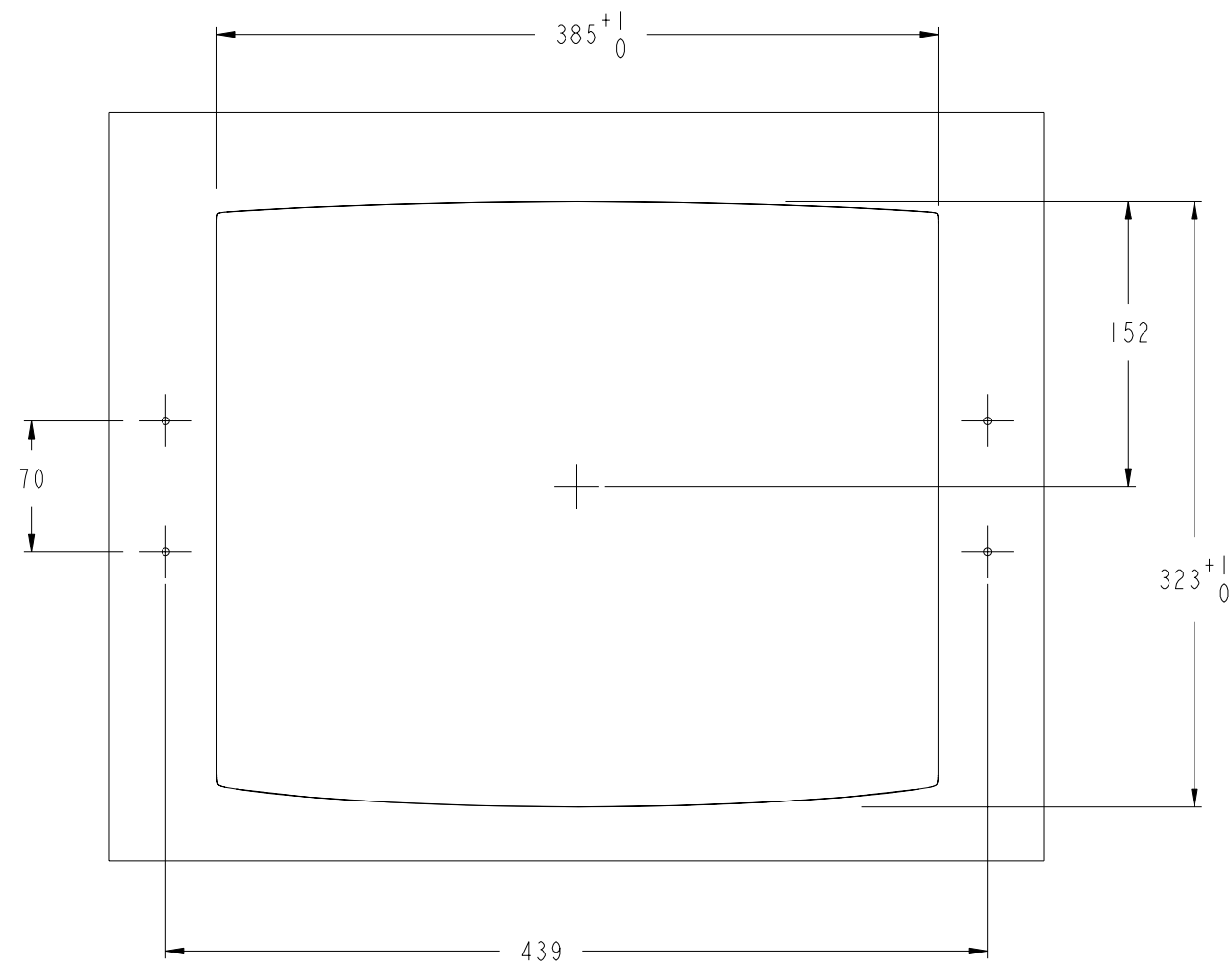
SHT. 1 OF 2

DIMENSIONS ARE IN MILLIMETERS/INCHES

PART NUMBER	DESCRIPTION
E70581-000	ET1545L-8SWC-1
518812-000	ET1545L-8UWC-1
E90518-000	ET1545L-8SWC-1-NL



1545L LCD MONITOR
FRONT CUT OUT



FRONT MOUNT

NOTE:
USE CAD FILES (DWG) TO CUT HOLES.
ARCHS ARE COMPOUND SPLINES.

DIMENSIONS ARE IN MILLIMETERS/INCHES

SHEET 2 OF 2

