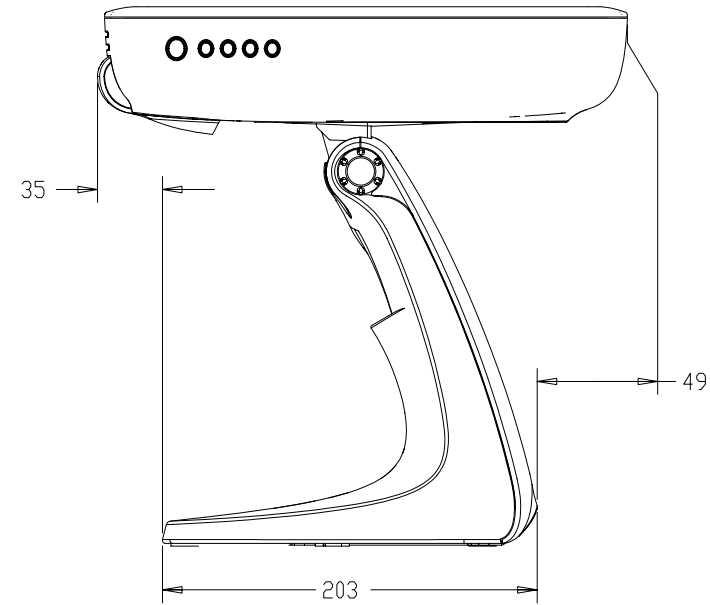


TILT: -5° FROM VERT.



TILT: 90° FROM VERT.

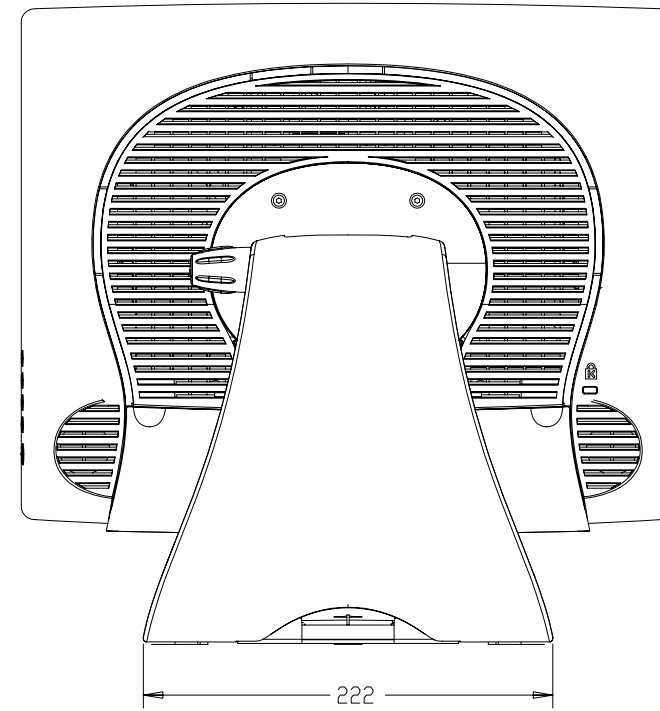
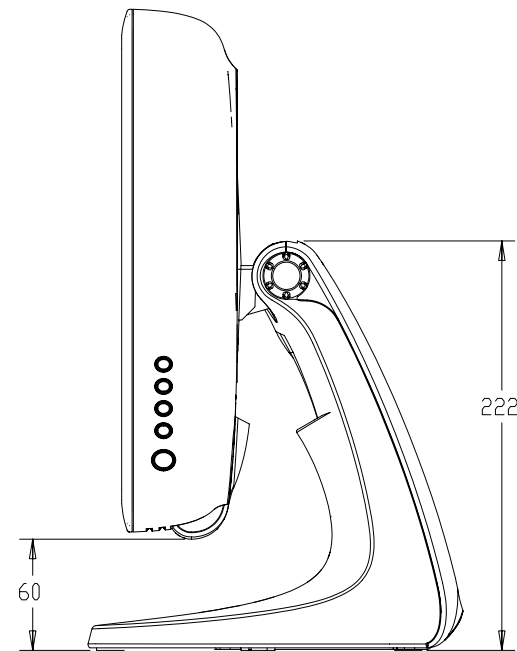
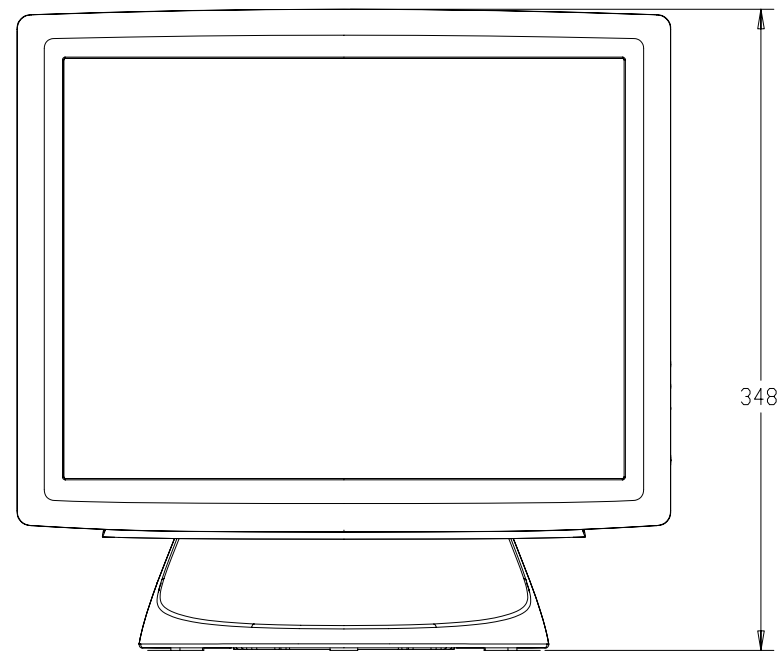
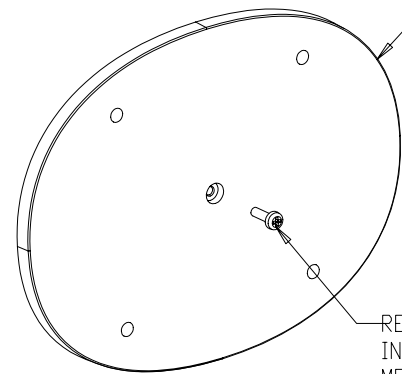


FIGURE 1: VESA PLATE (PIP# E295293 WITH 4 M4X16, CROSS, RECESSED PAN HEAD WITH CAPTURED WASHER.



REMOVE STAND AND INSTALL PLATE TO ALLOW MOUNTING SURFACE TO BE FLUSH WITH THE BACK COVER USING M3X10 PAN HEAD SCREW PROVIDED IN THE VESA MOUNTING PLATE KIT. WARNING: DO NOT BLOCK MONITOR VENTILATION.

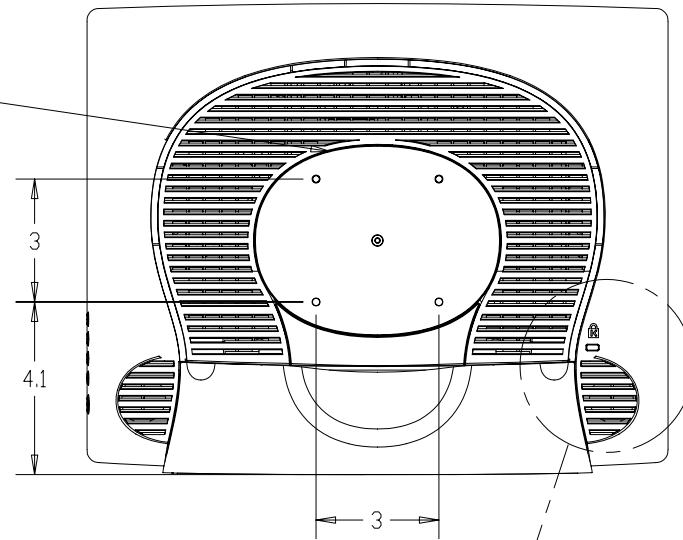
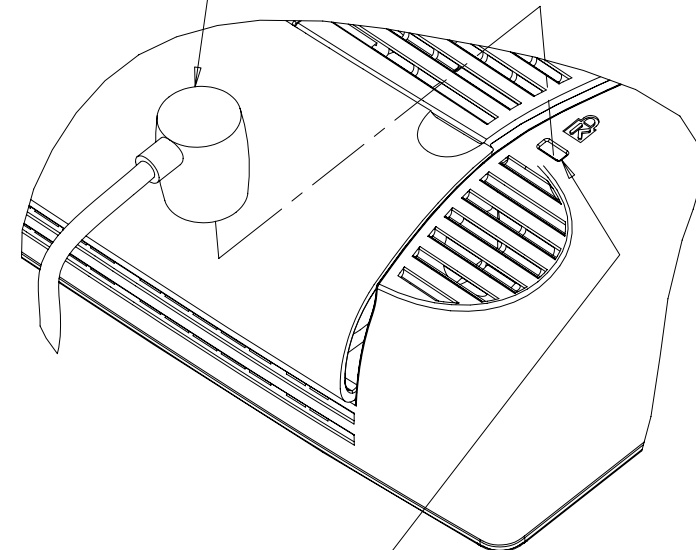


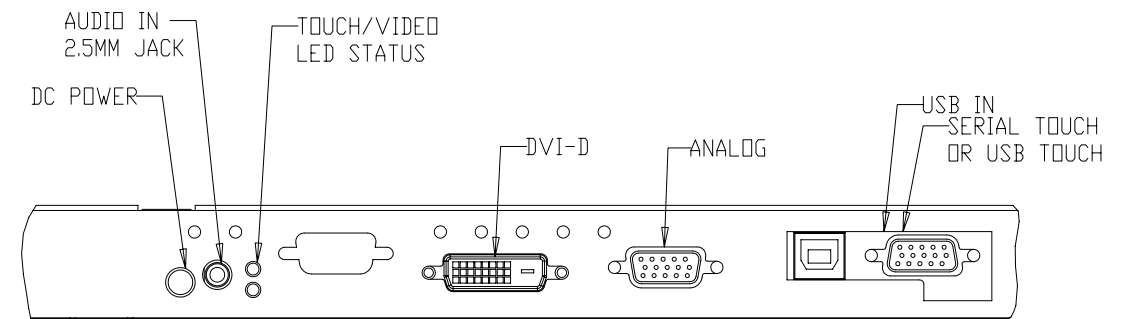
FIGURE 3: KENSINGTON LOCK DETAIL

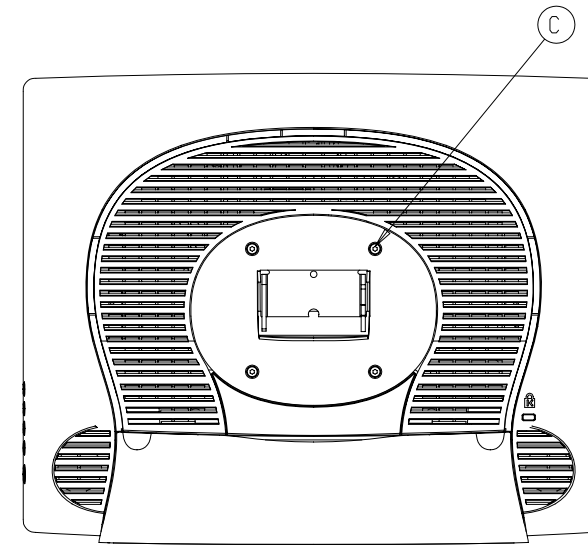
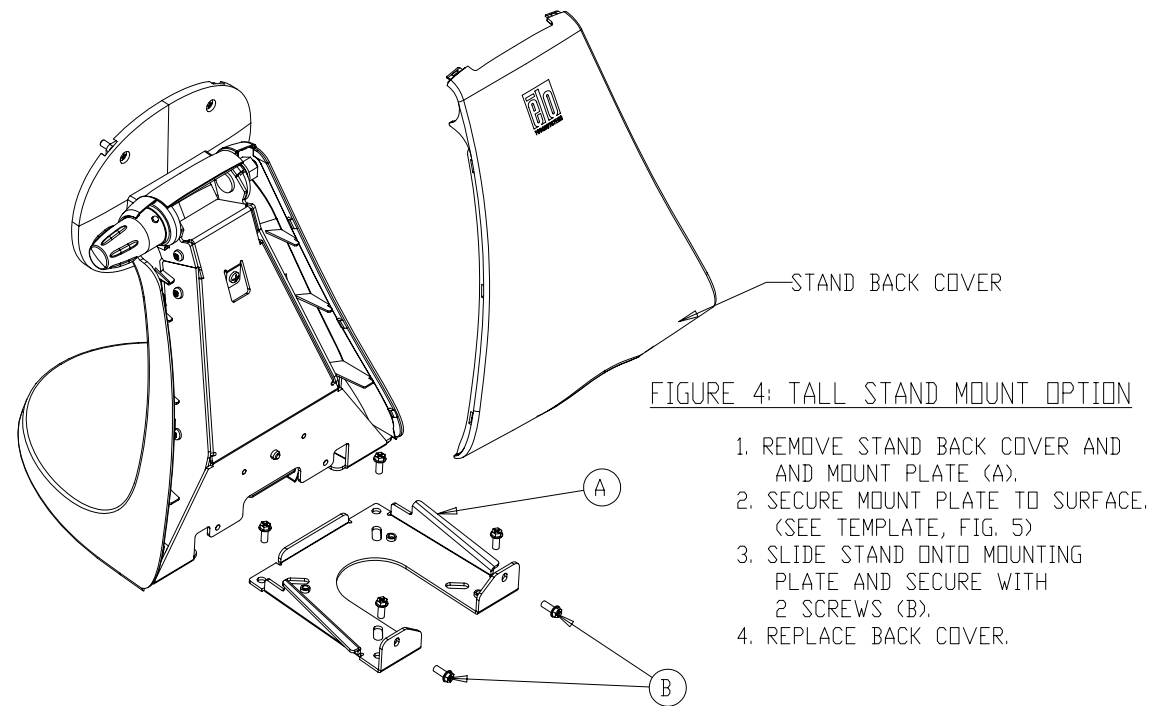
KENSINGTON CABLE LOCK (BY OTHERS)



LOCK RECEPTICAL IN BACK COVER

FIGURE 2: CONNECTIONS





MOUNTING TO A WALL:

1. REMOVE THE FOUR SCREWS (C) IN ORDER TO SEPARATE THE STAND FROM THE MONITOR.
2. ROTATE THE MONITOR 180° (SO MONITOR WILL NOT BE UPSIDE DOWN WHEN MOUNTED IN THE POSITION SHOWN).
3. REINSTALL THE FOUR SCREWS (C).
4. ROUTE CABLES THROUGH CUTOUT (IF APPLICABLE) AND MOUNT MONITOR TO WALL USING THE TEMPLATES PROVIDED.

FIGURE 5: TALL STAND MOUNT TEMPLATE

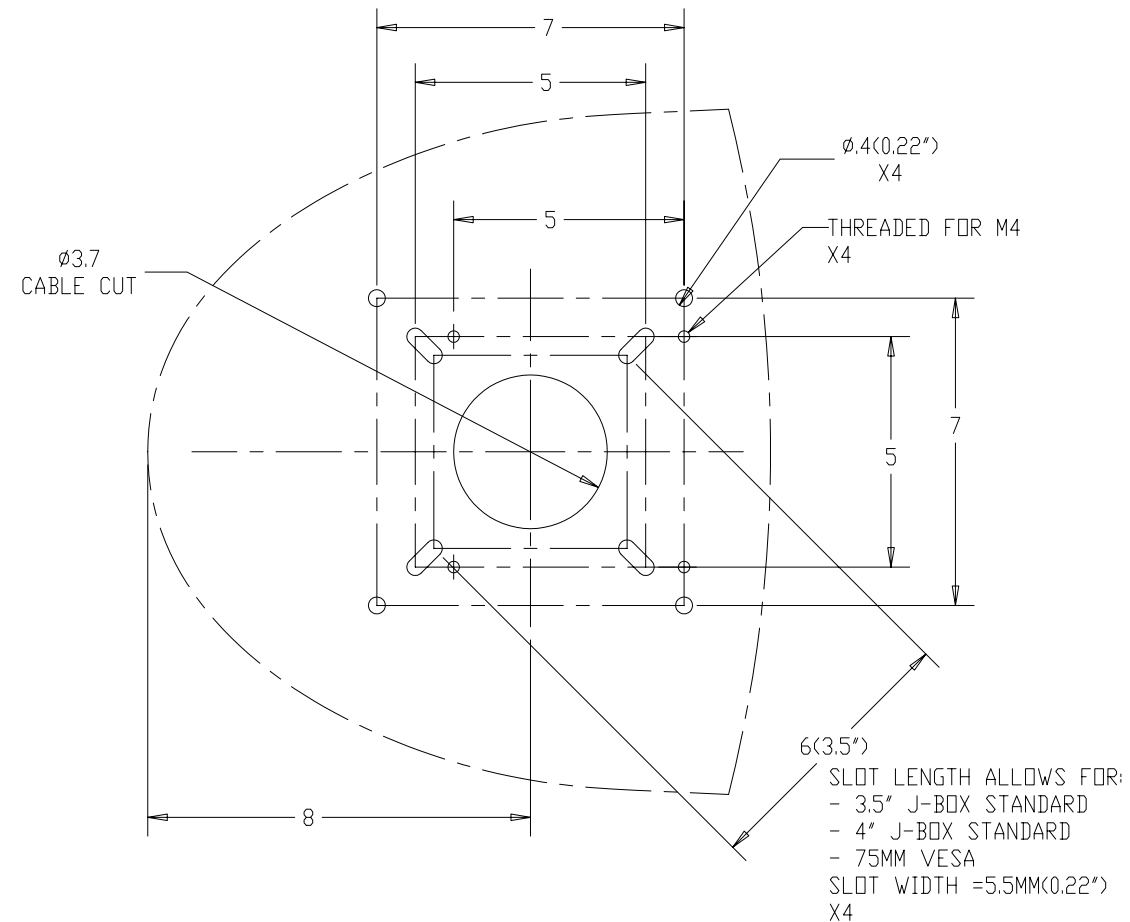


FIGURE 6: TALL STAND WALL MOUNT

SEE FIG. 4 AND TEMPLATE FIG.5
FOR FRONT MOUNT OPTION.
SEE TEMPLATE FIG.5 FOR REAR MOUNT OPTION.

