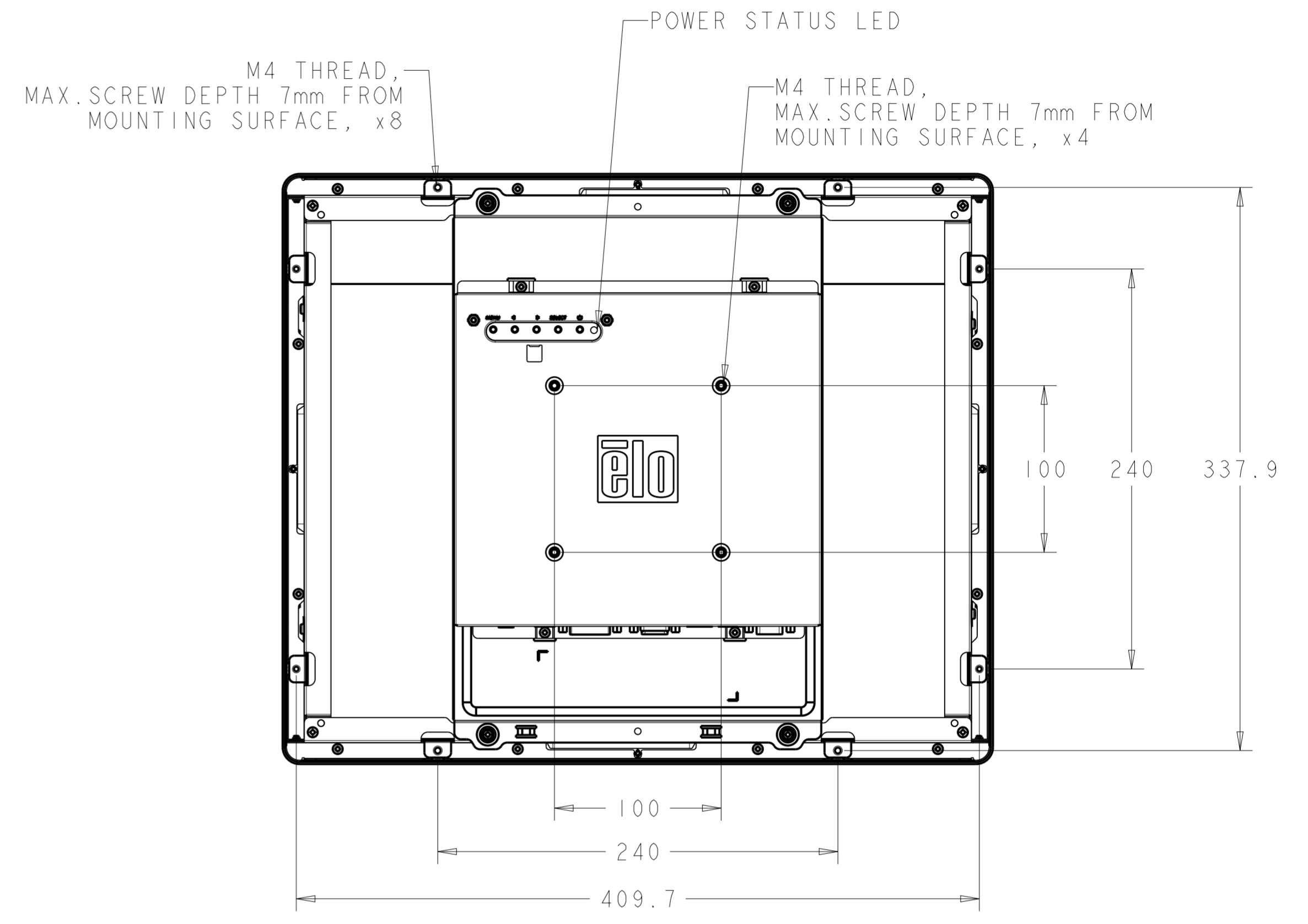
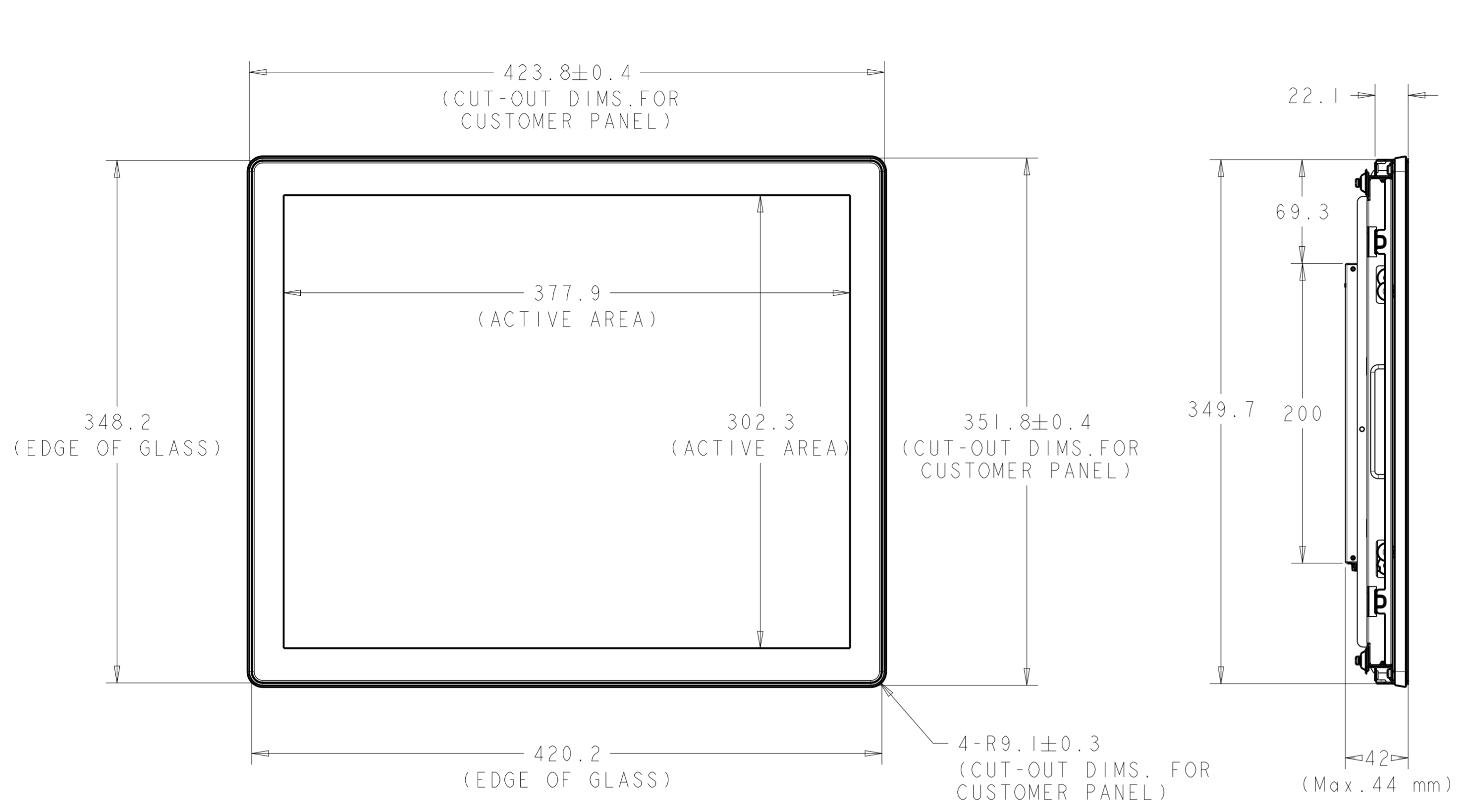
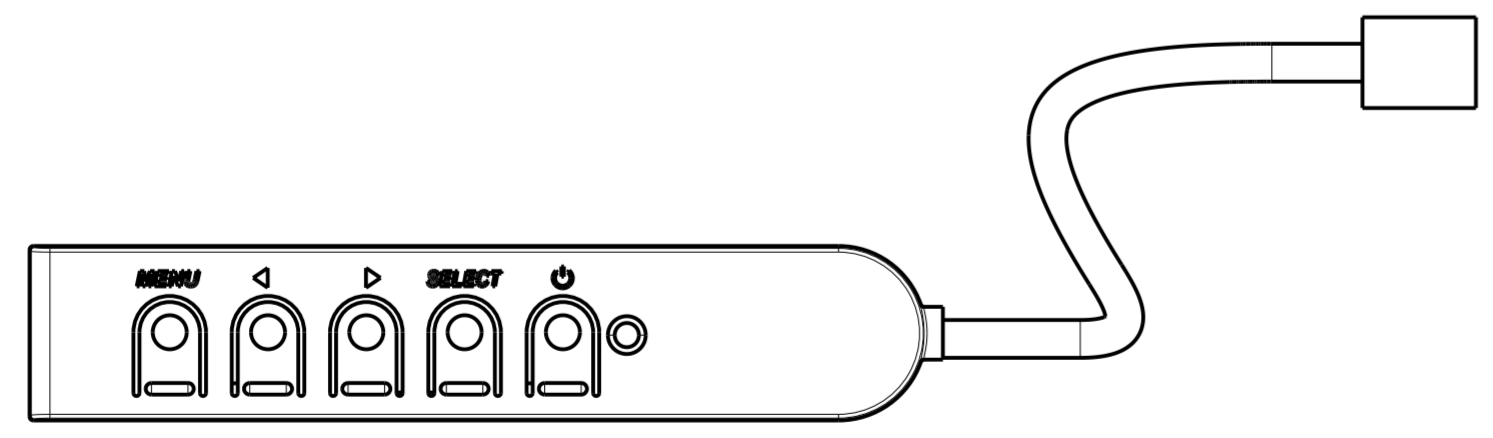


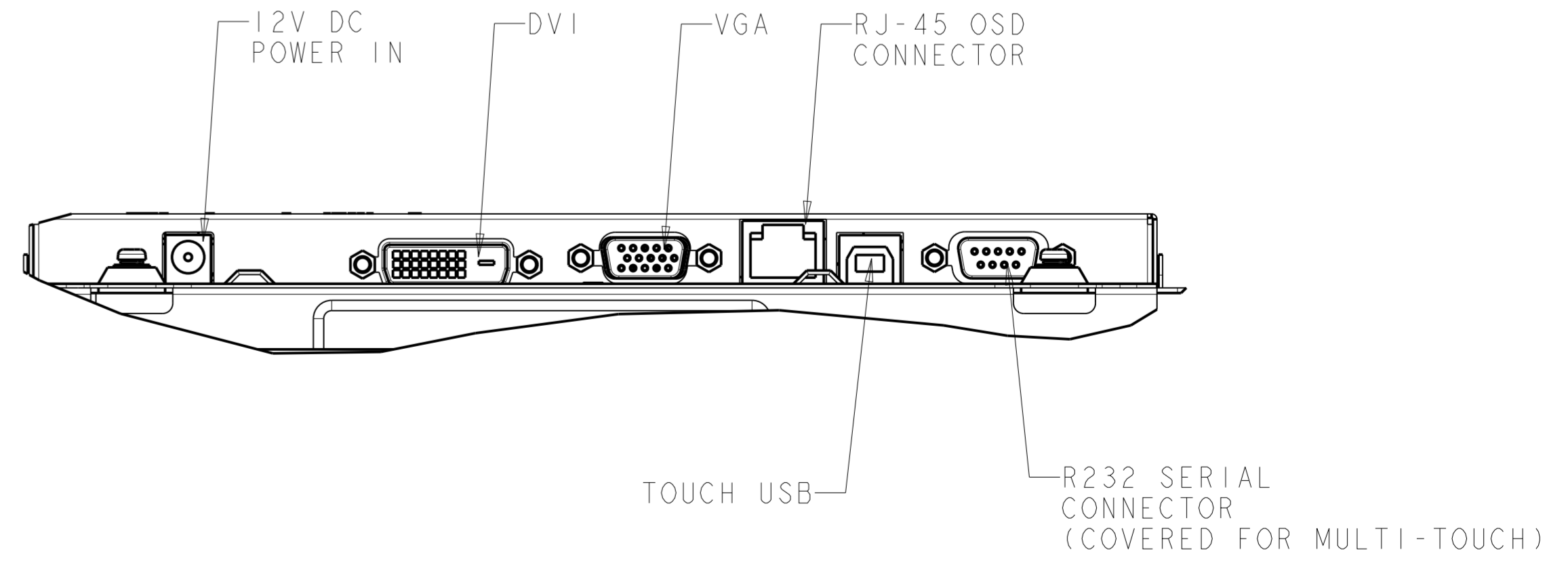
ITOUCH MODELS / NO TOUCH (ZB) ONLY



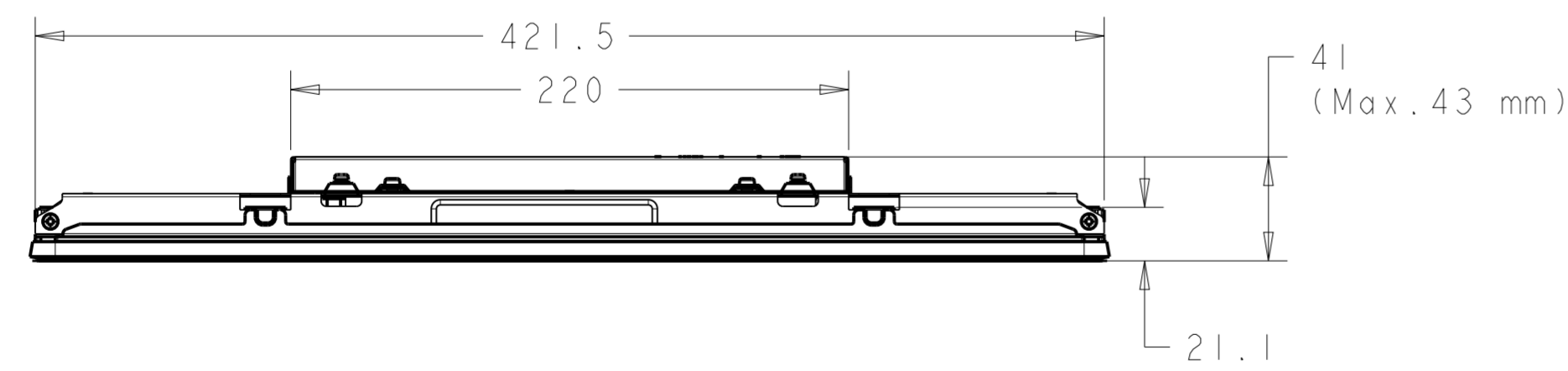
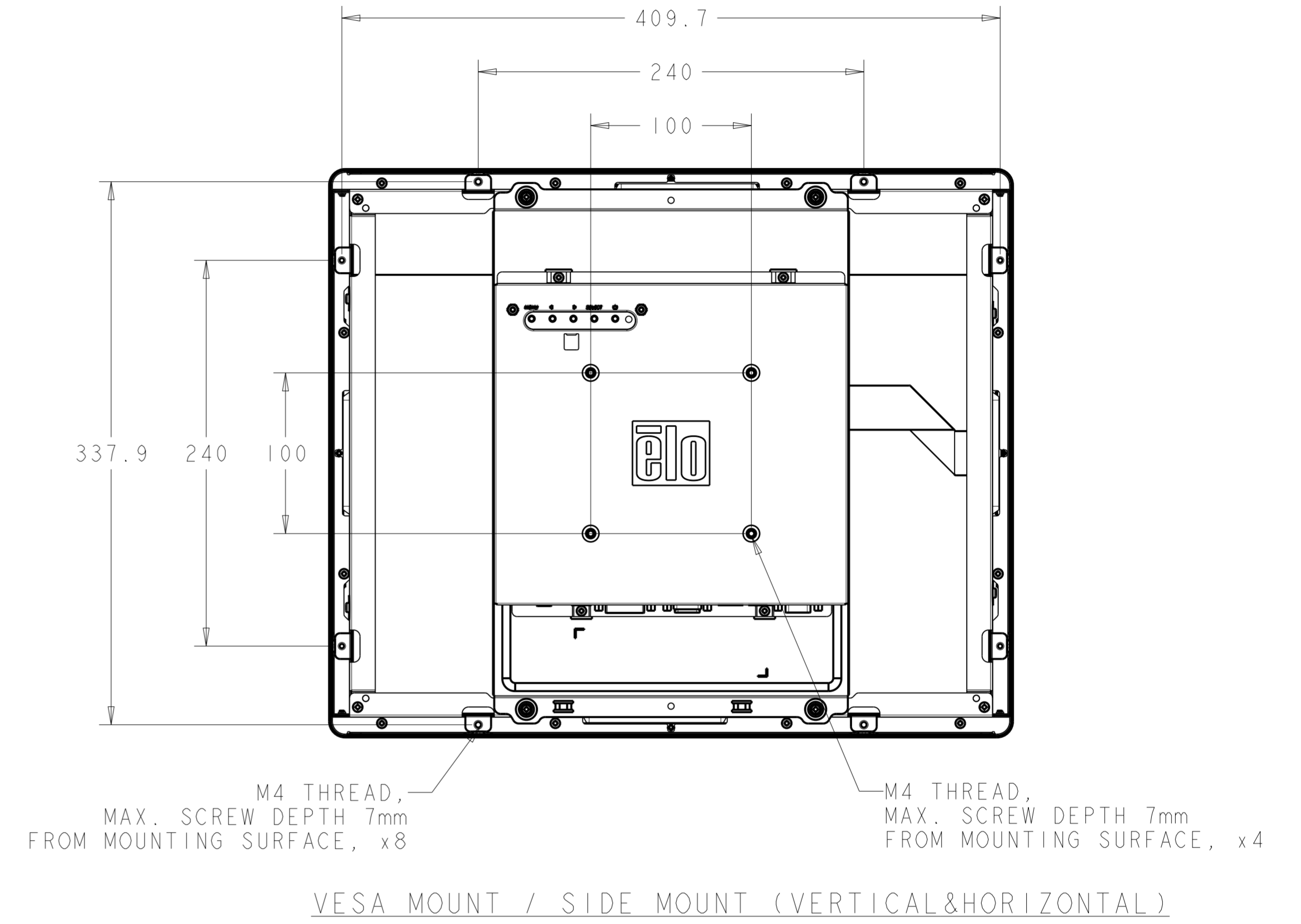
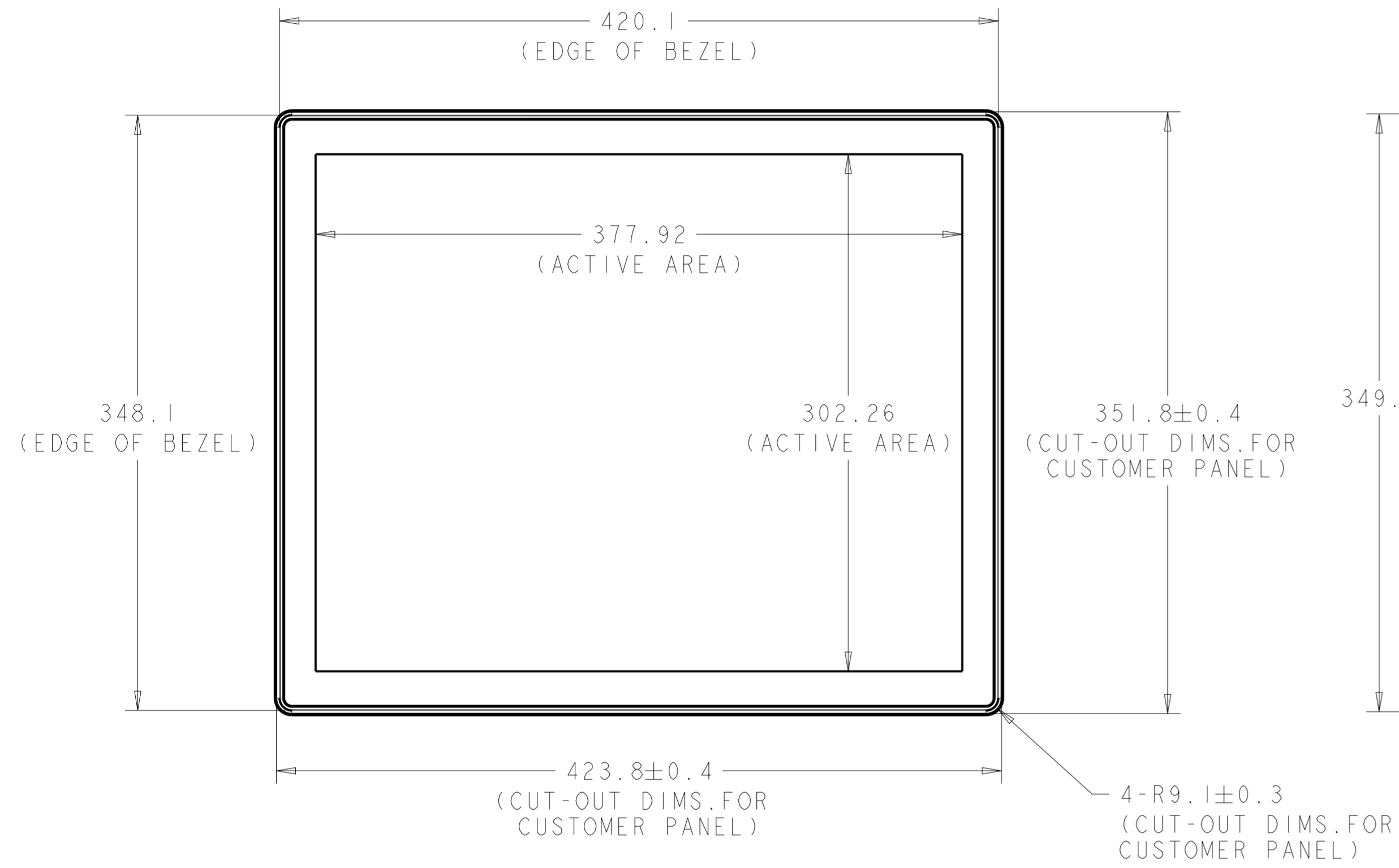
VESA MOUNT / SIDE MOUNT (VERTICAL&HORIZONTAL)



OPTIONAL OSD REMOTE P/N E483757
(ORDERED SEPARATELY)



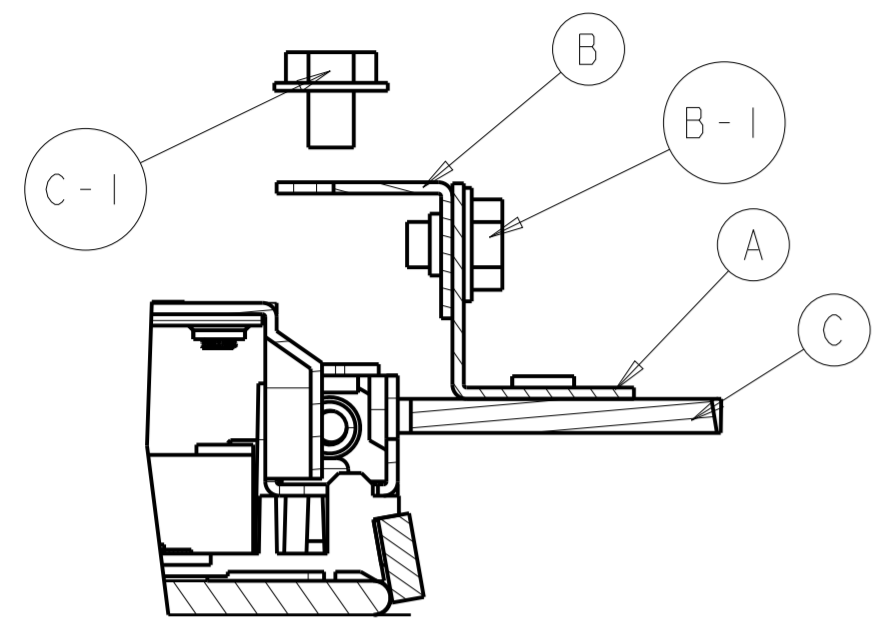
PROJECTED CAPACITIVE MODEL ONLY



PROJECTED CAPACITIVE / iTOUCH MODELS

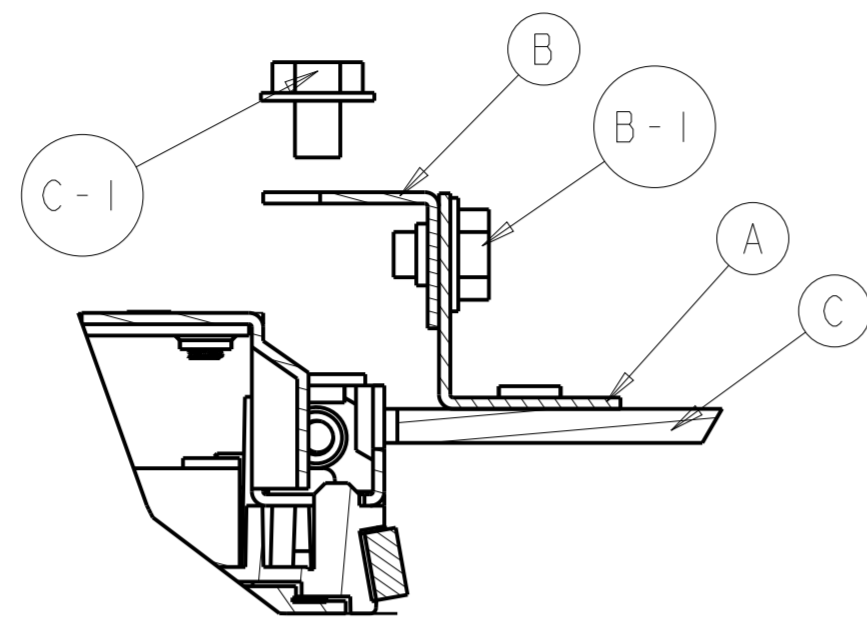
MOUNTING WITH ADJUSTABLE FLUSH BRACKETS (2 KITS PROVIDED)

iTOUCH MOUNT INSTALLATION



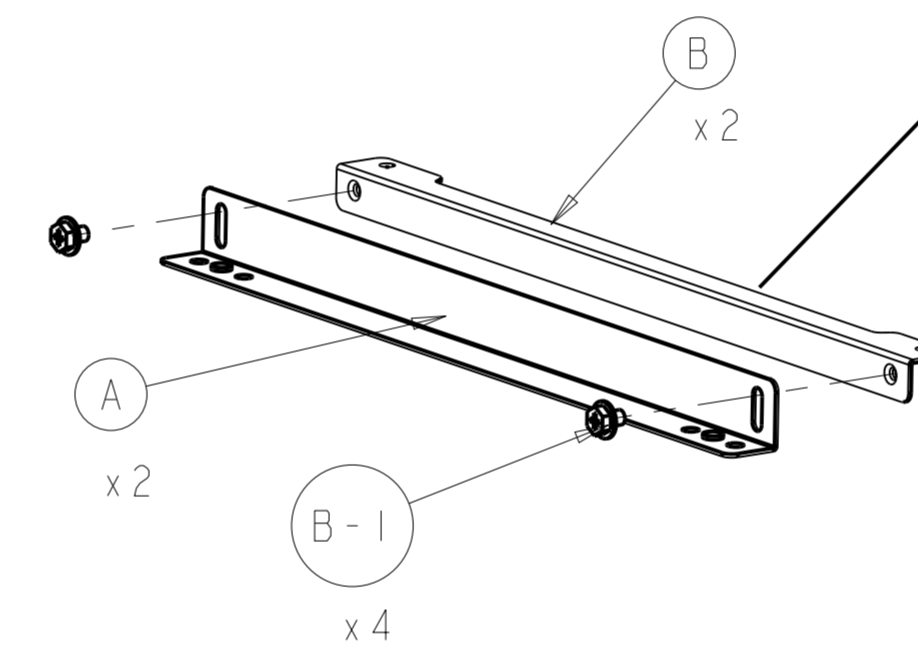
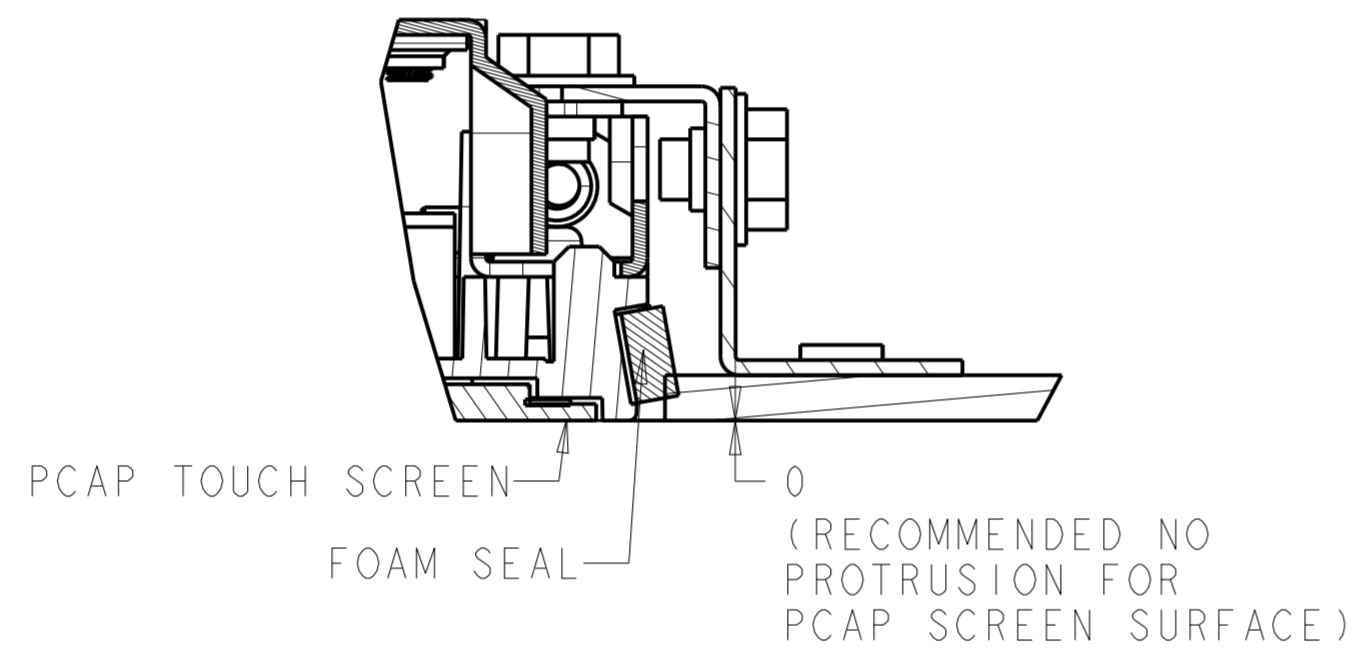
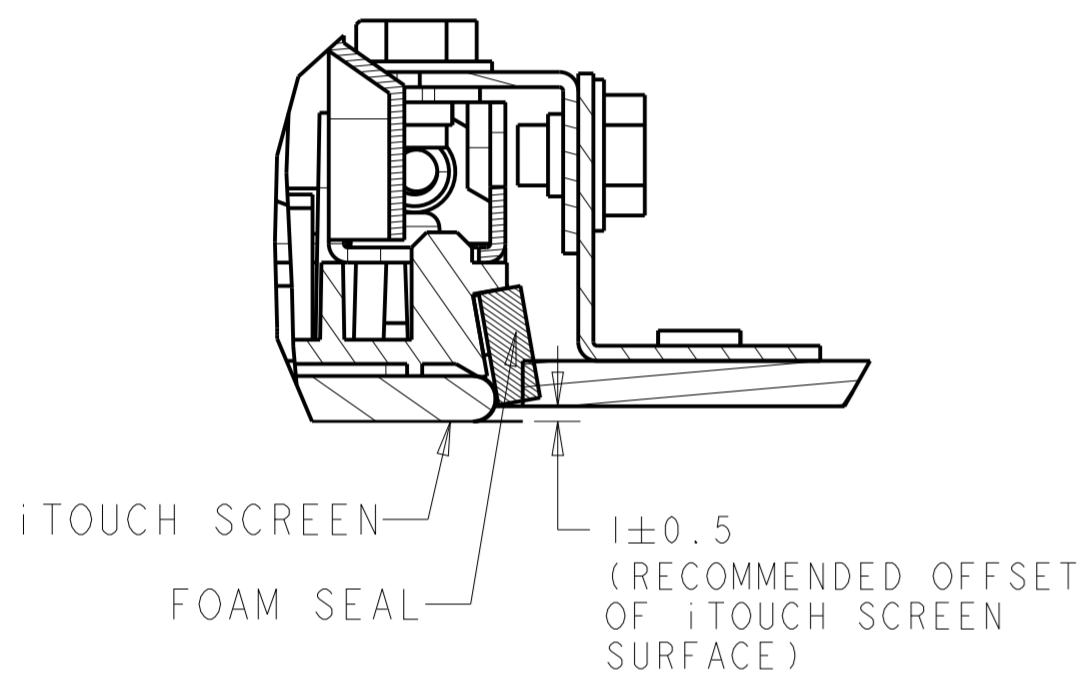
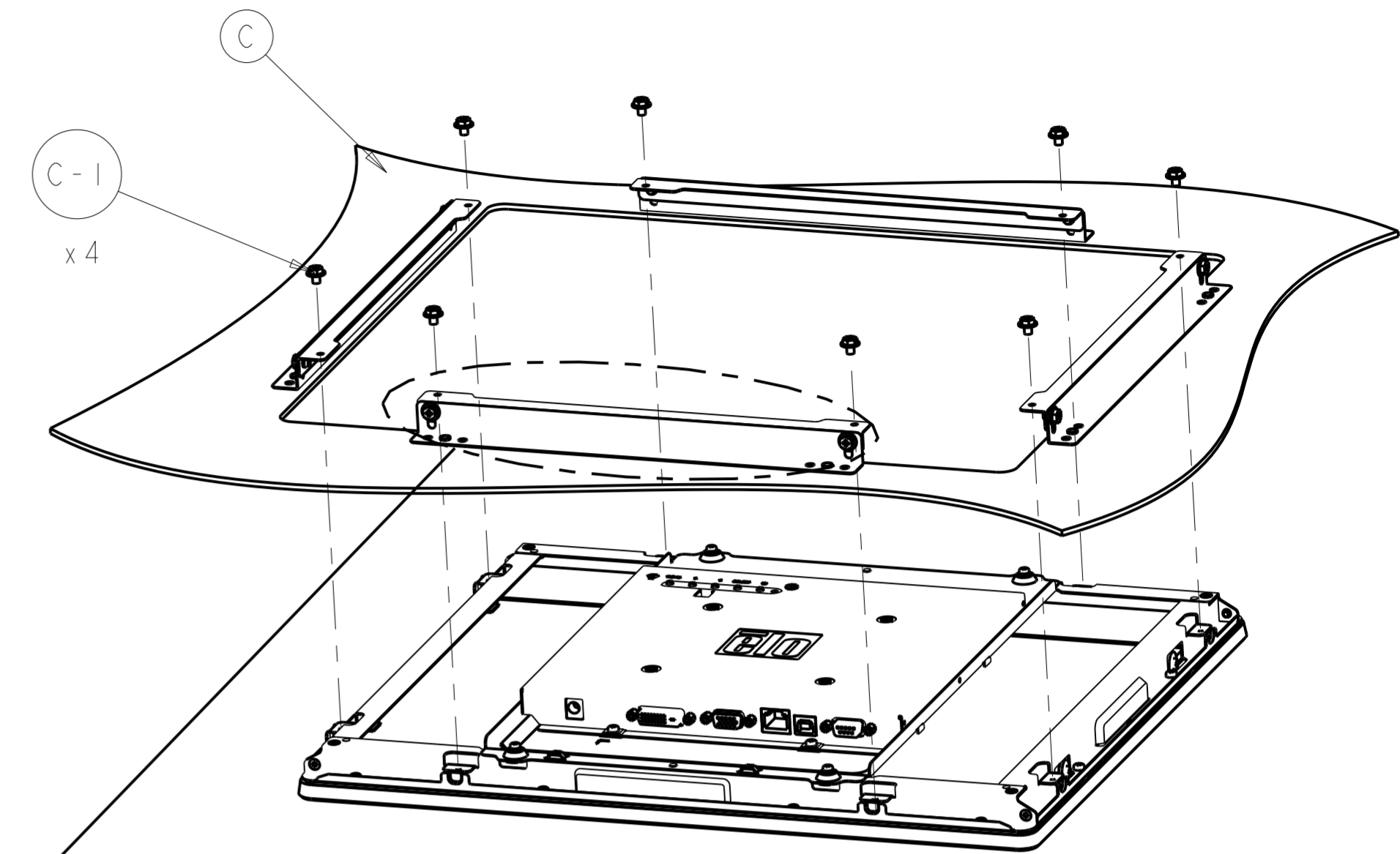
SECTION A-A
SCALE 3:2

PCAP MOUNT INSTALLATION



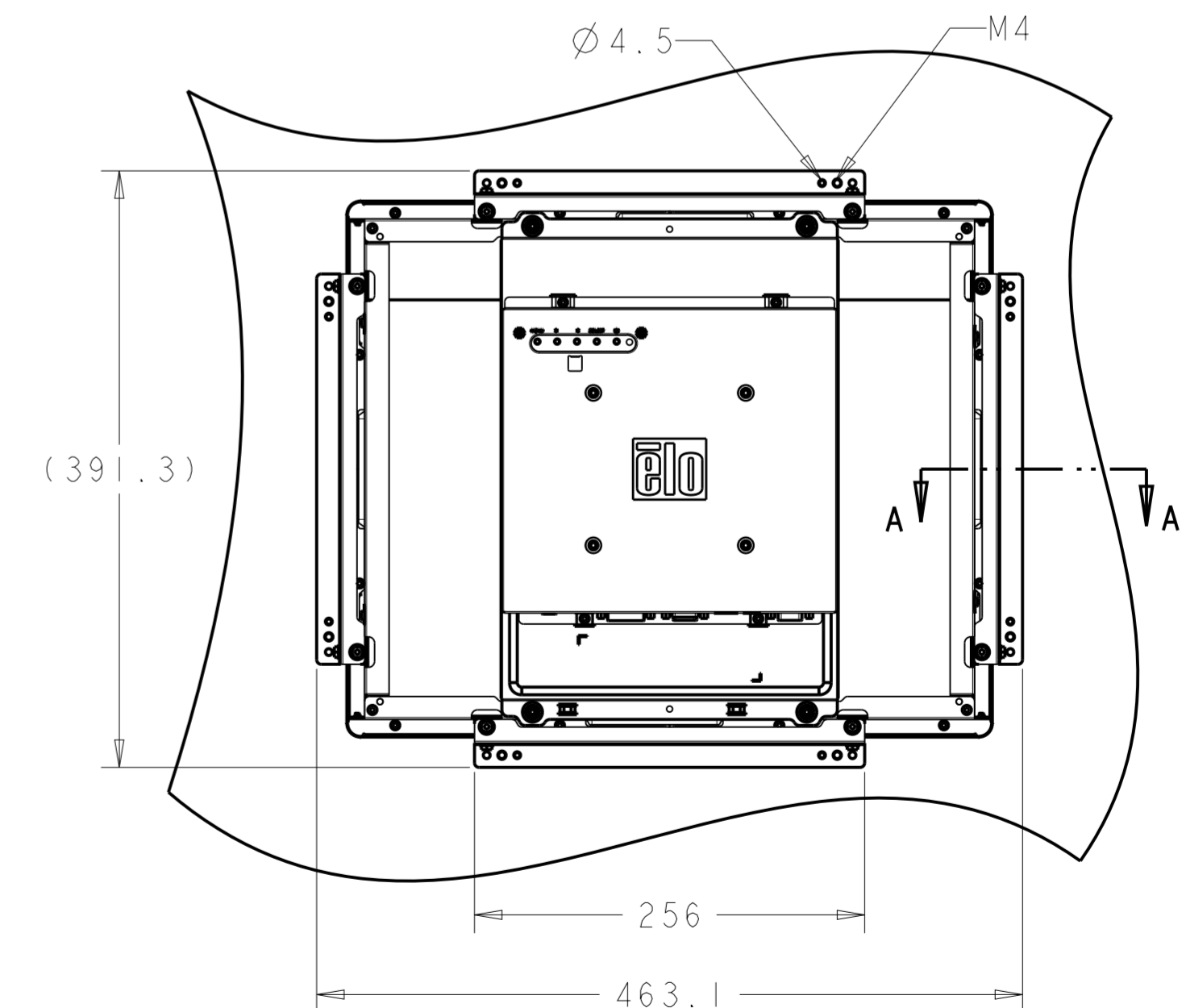
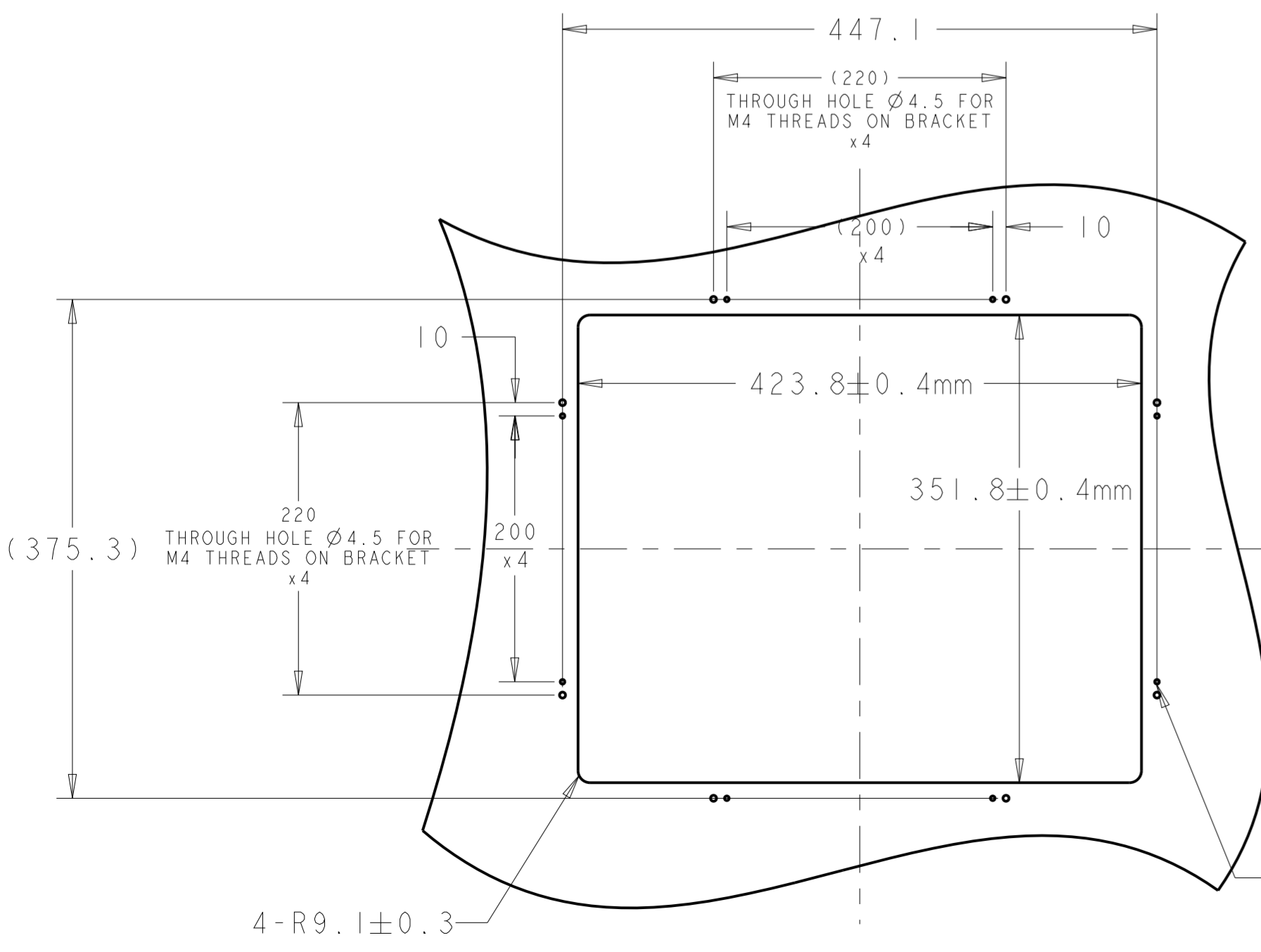
SECTION A-A
SCALE 3:2

- INSTALLATION NOTES:
1. ATTACHED BRACKET "A" TO CUSTOMER PANEL "C" PER DRAWING.
 2. ATTACHED BRACKET "B" TO BRACKET "A" WITH M4 HEX HEAD SCREWS "B-1" (INCLUDED).
 3. PLACE TOUCH MONITOR INTO CUSTOMER PANEL OPENING, TAKING CARE NOT TO DAMAGE FOAM SEAL.
 4. FOR iTOUCH MODELS, ADJUST DEPTH OF BRACKETS "B" SO MONITOR IS SLIGHTLY PROTRUDED OF CUSTOMER PANEL (1+/-0.5MM).
FOR PCAP MODELS, ADJUST DEPTH OF BRACKETS "B" SO MONITOR IS FLUSH WITH CUSTOMER PANEL.
 5. SECURE TOUCH MONITOR TO BRACKET "B" + "A" FROM BEHIND WITH M4 HEX HEAD SCREWS "C-1" (INCLUDE), BRACKET "B" MAY NEED A LITTLE ADJUSTMENT AHEAD IF THE MOUNTING HOLES NOT MATCHING FULLY.



RECOMMENDED CUSTOMER PANEL CUT-OUT

CUSTOMER PANEL:
MIN THICKNESS = 3mm
MAX THICKNESS = 10mm



- NOTES:
1. THE PROVIDED 2 KITS(4PCS) BRACKETS CAN BE APPLIED IN HORIZONTAL (TOP/BOTTOM SIDES) OR IN VERTICAL DIRECTION (LEFT /RIGHT SIDES) PER APPLICATION. THE MOUNT HOLES SELECTION ON CUSTOMER PANEL ALSO MATCHING WITH THE APPLICATION.

DIMENSIONS ARE IN MILLIMETERS