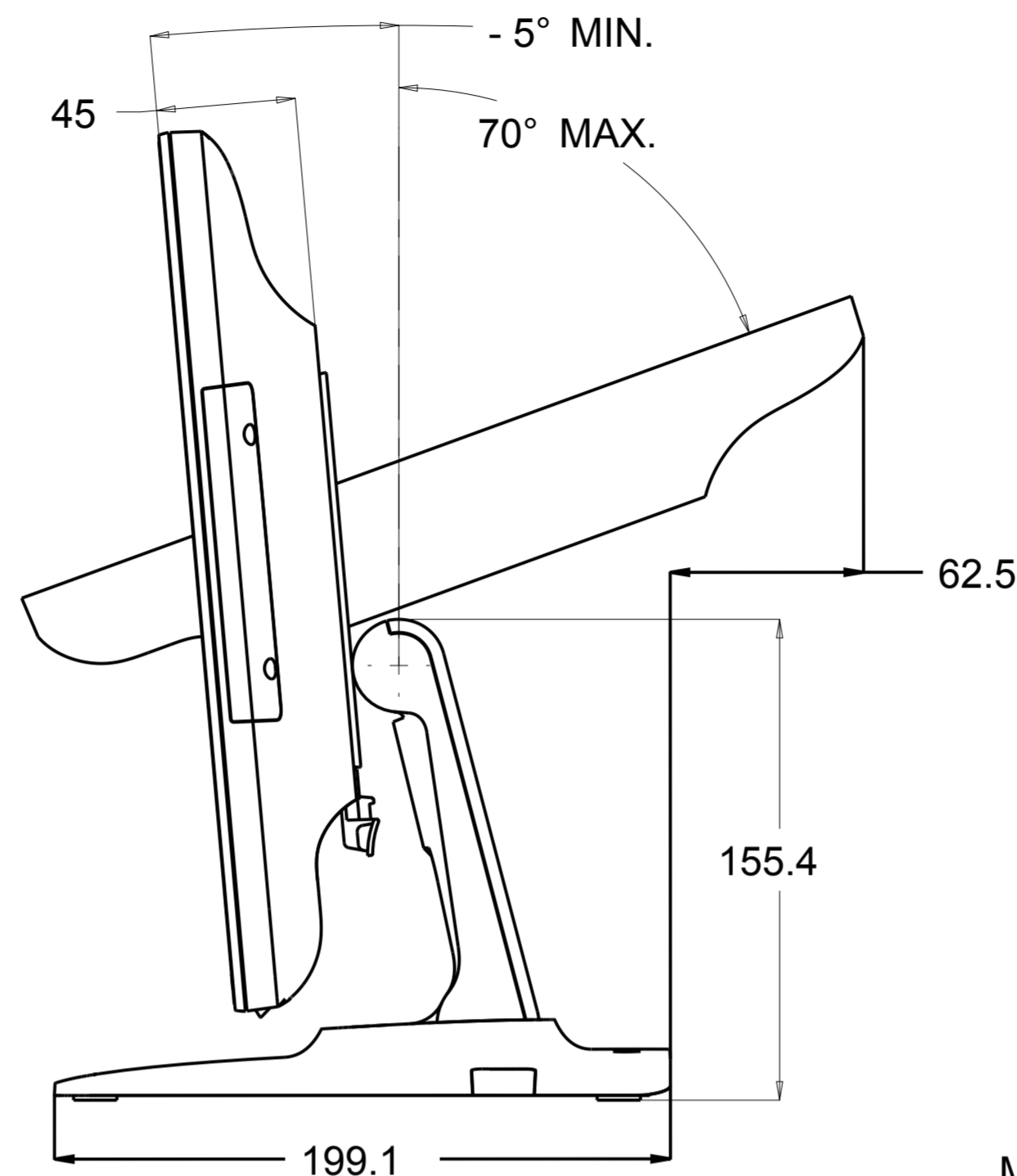
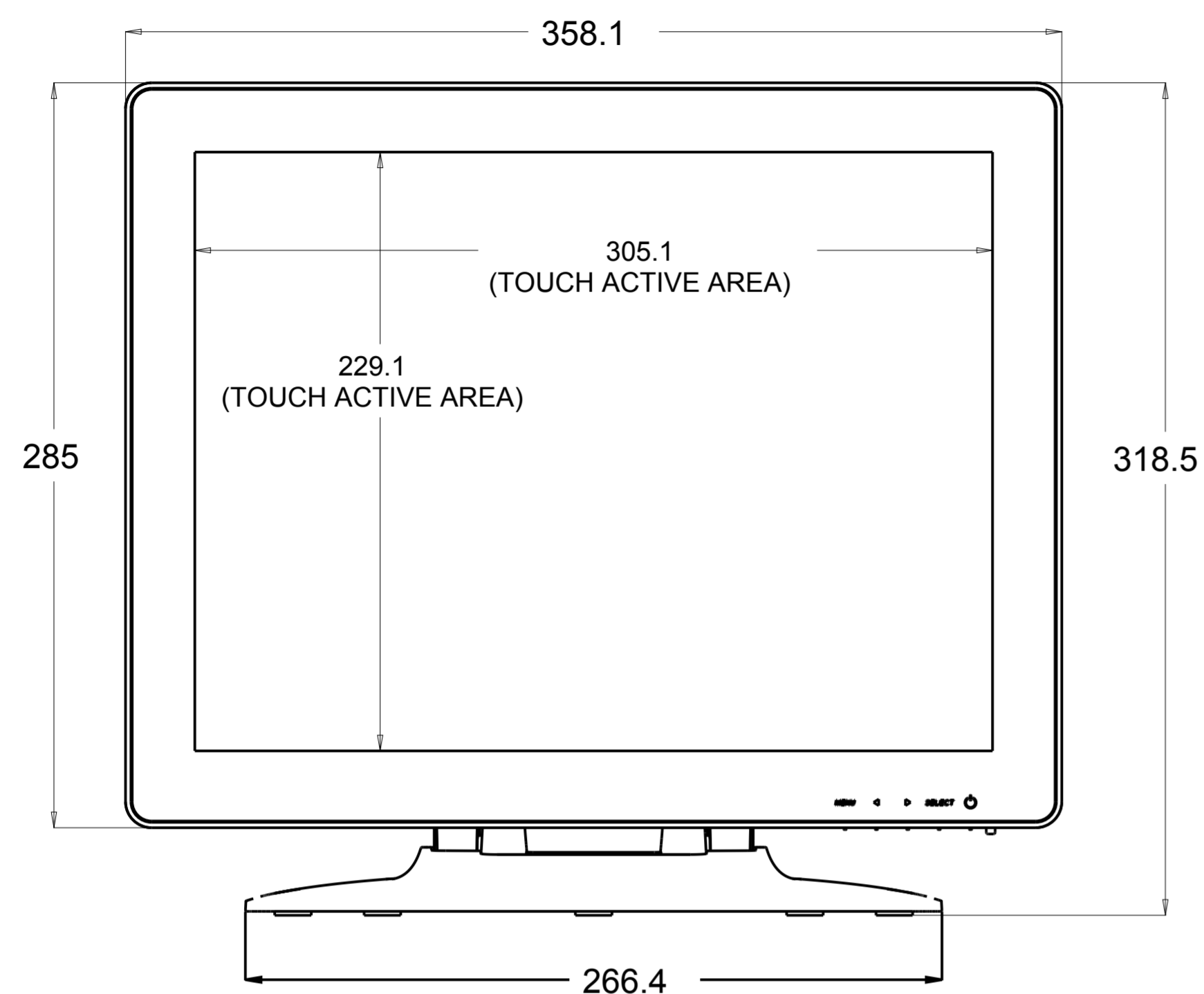
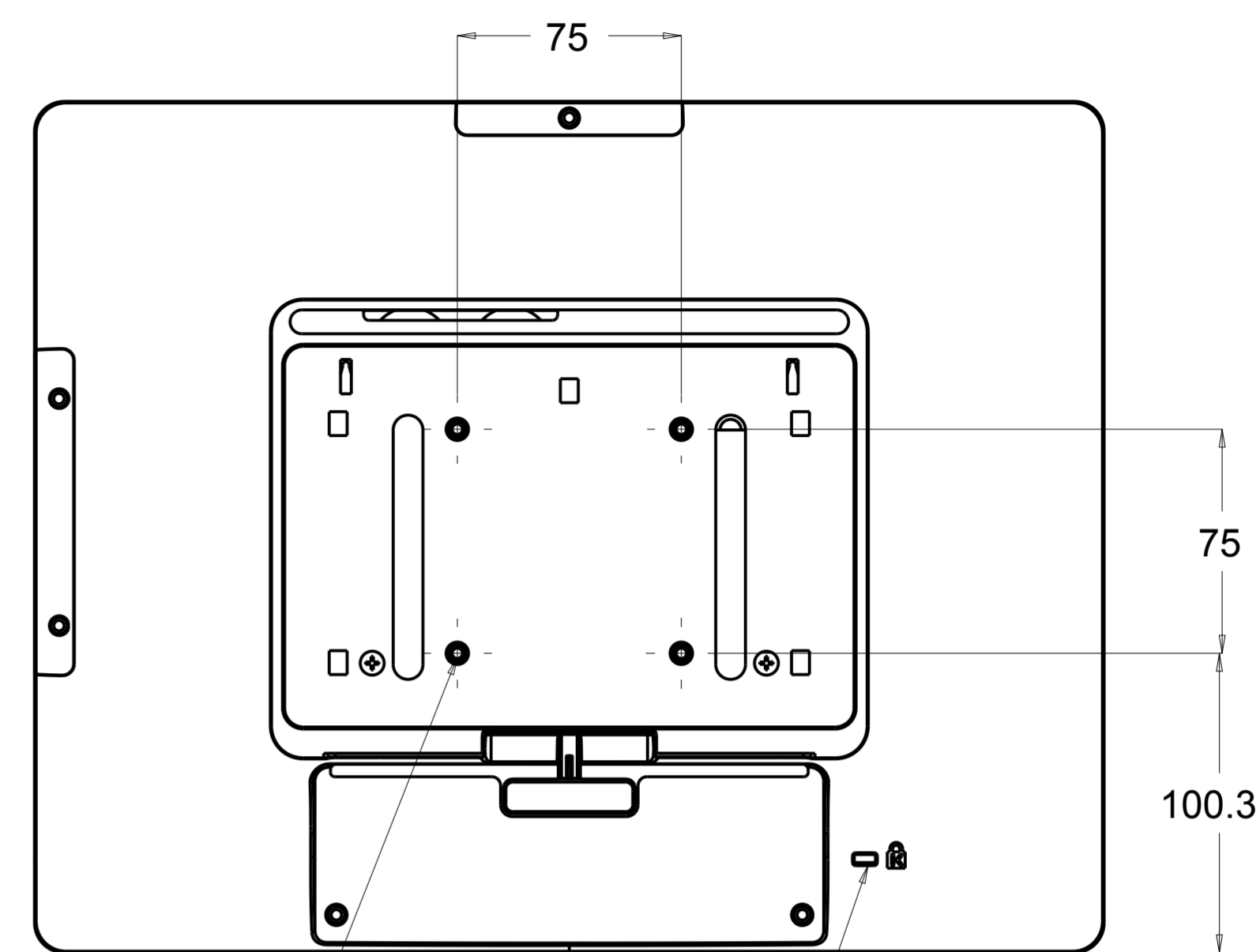


SEE PG. 2 FOR 1723
SEE PG. 3 FOR ACCESSORIES

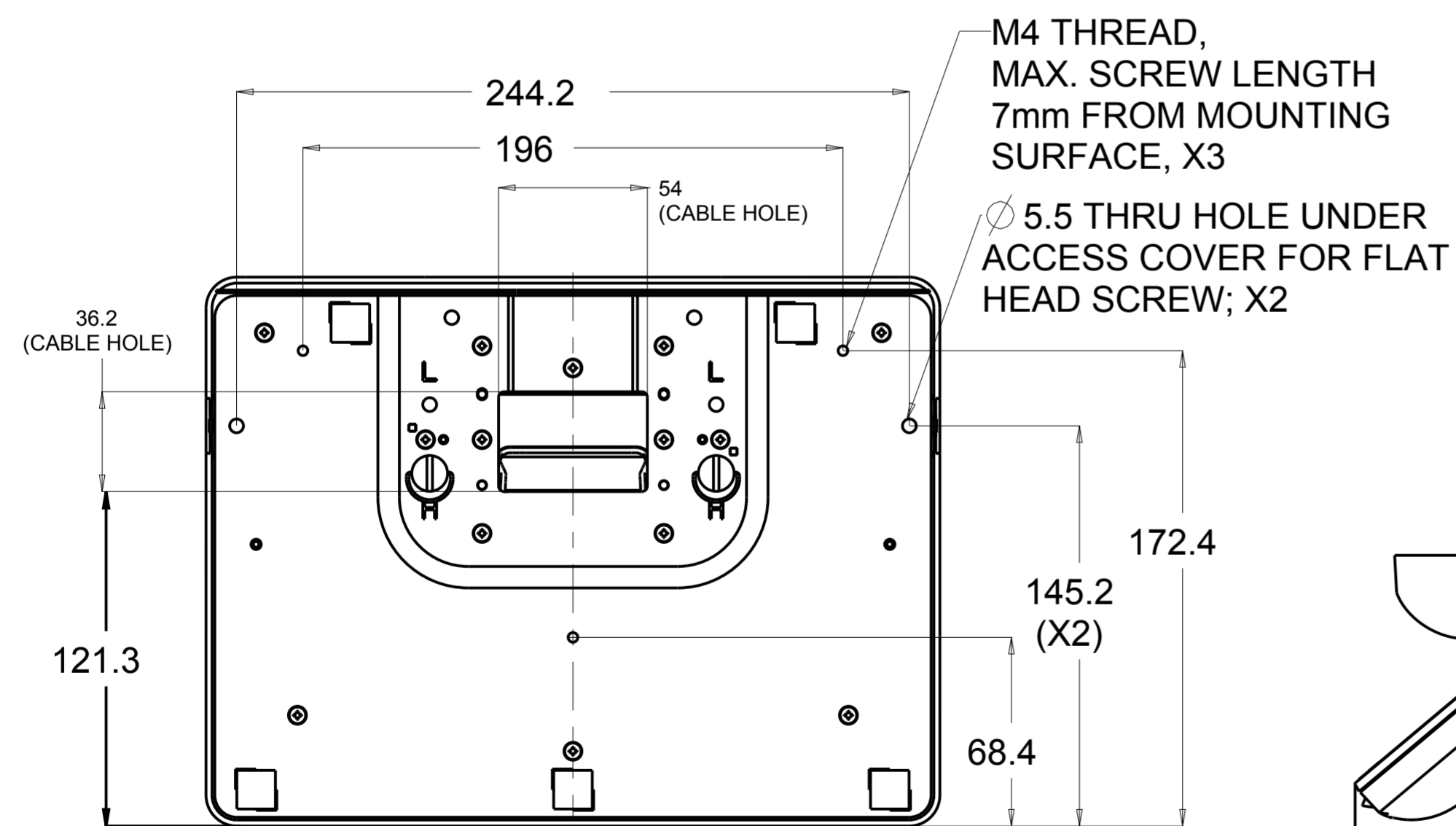


DISPLAY ANGLE RANGE
IN HIGH POSITION



M4 THREAD,
MAX. SCREW LENGTH
7mm FROM MOUNTING
SURFACE, X4

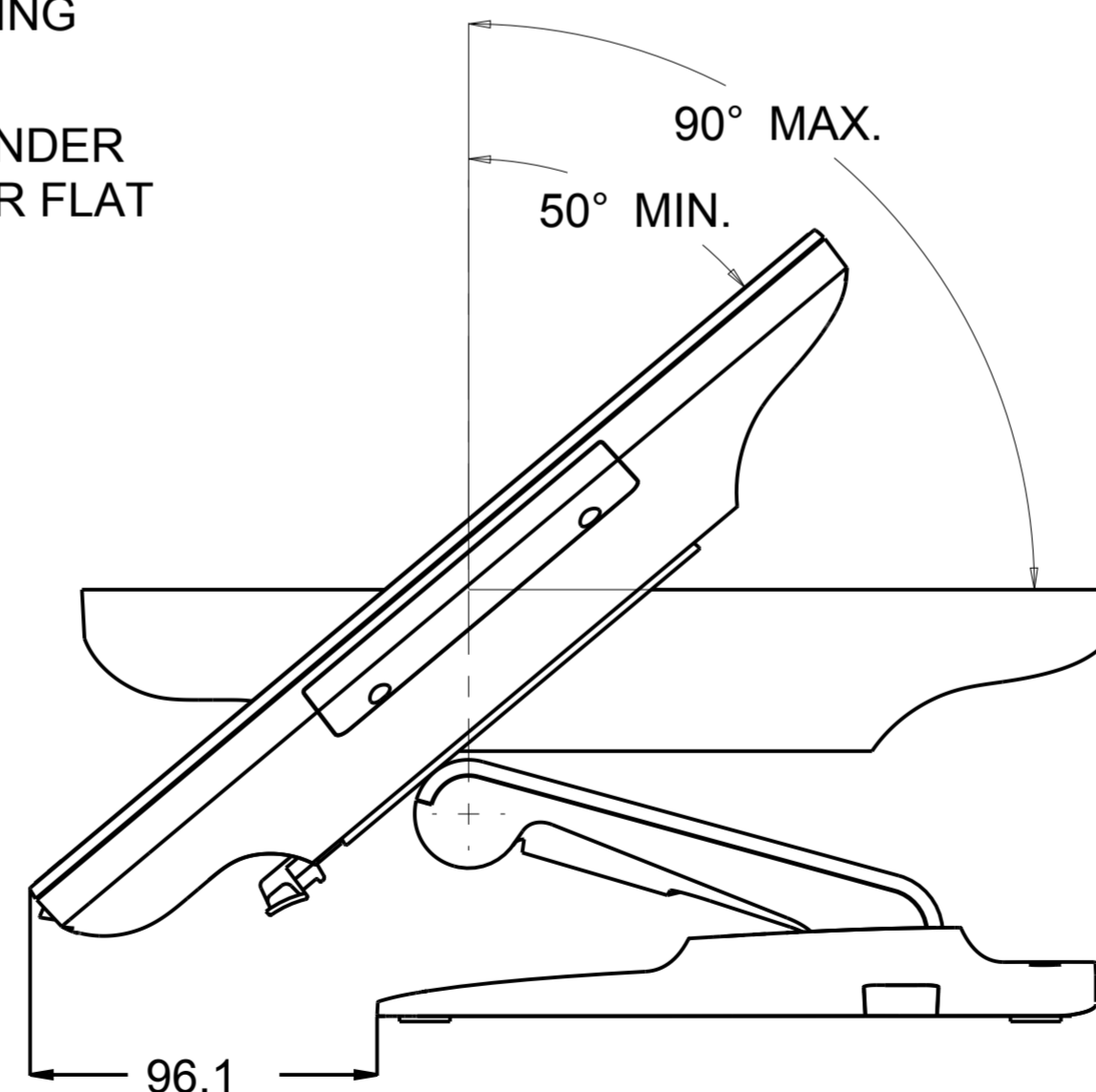
KENSINGTON LOCK
RECEPTICAL



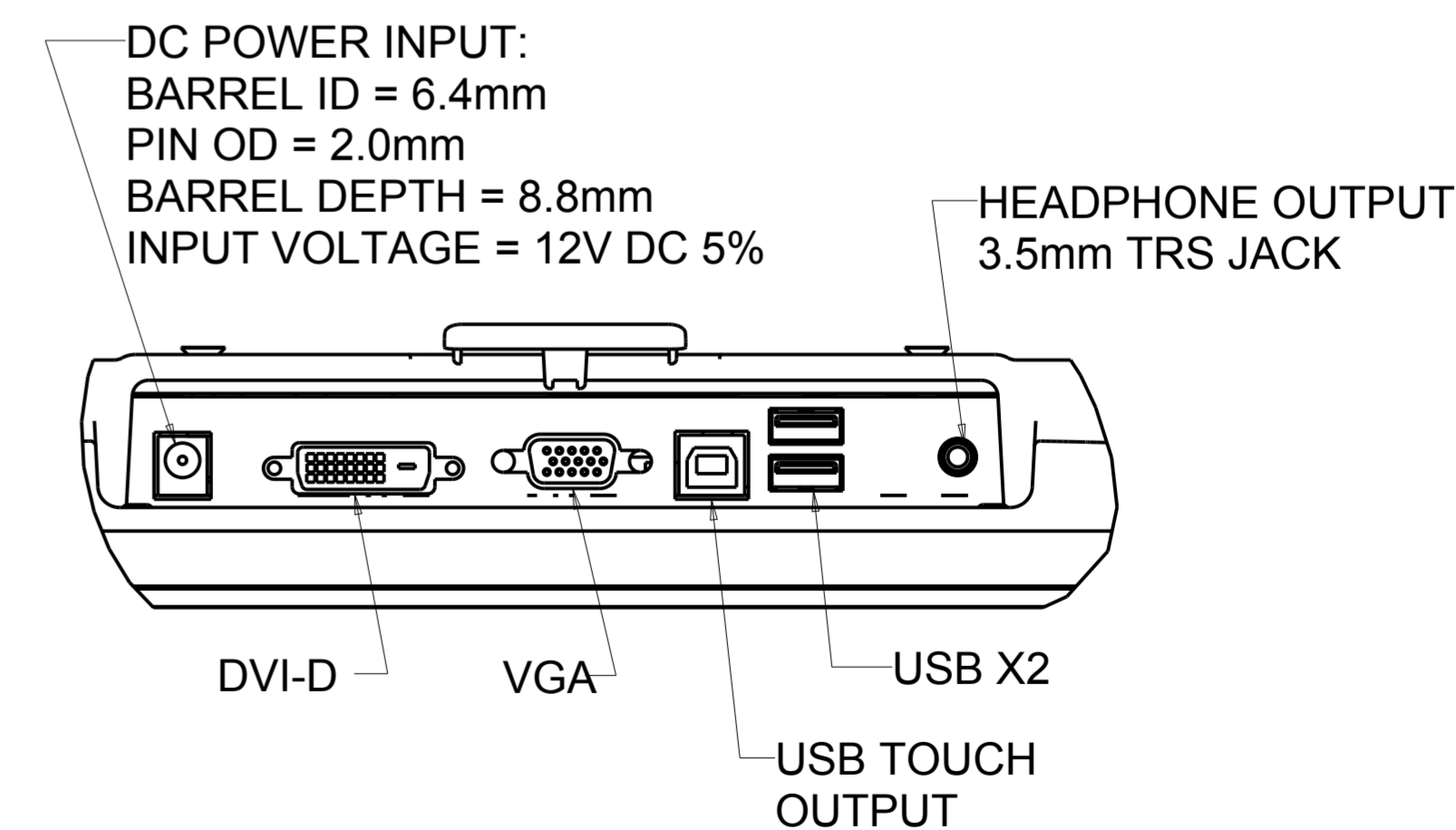
1523 STAND BOTTOM VIEW

M4 THREAD,
MAX. SCREW LENGTH
7mm FROM MOUNTING
SURFACE, X3

5.5 THRU HOLE UNDER
ACCESS COVER FOR FLAT
HEAD SCREW; X2

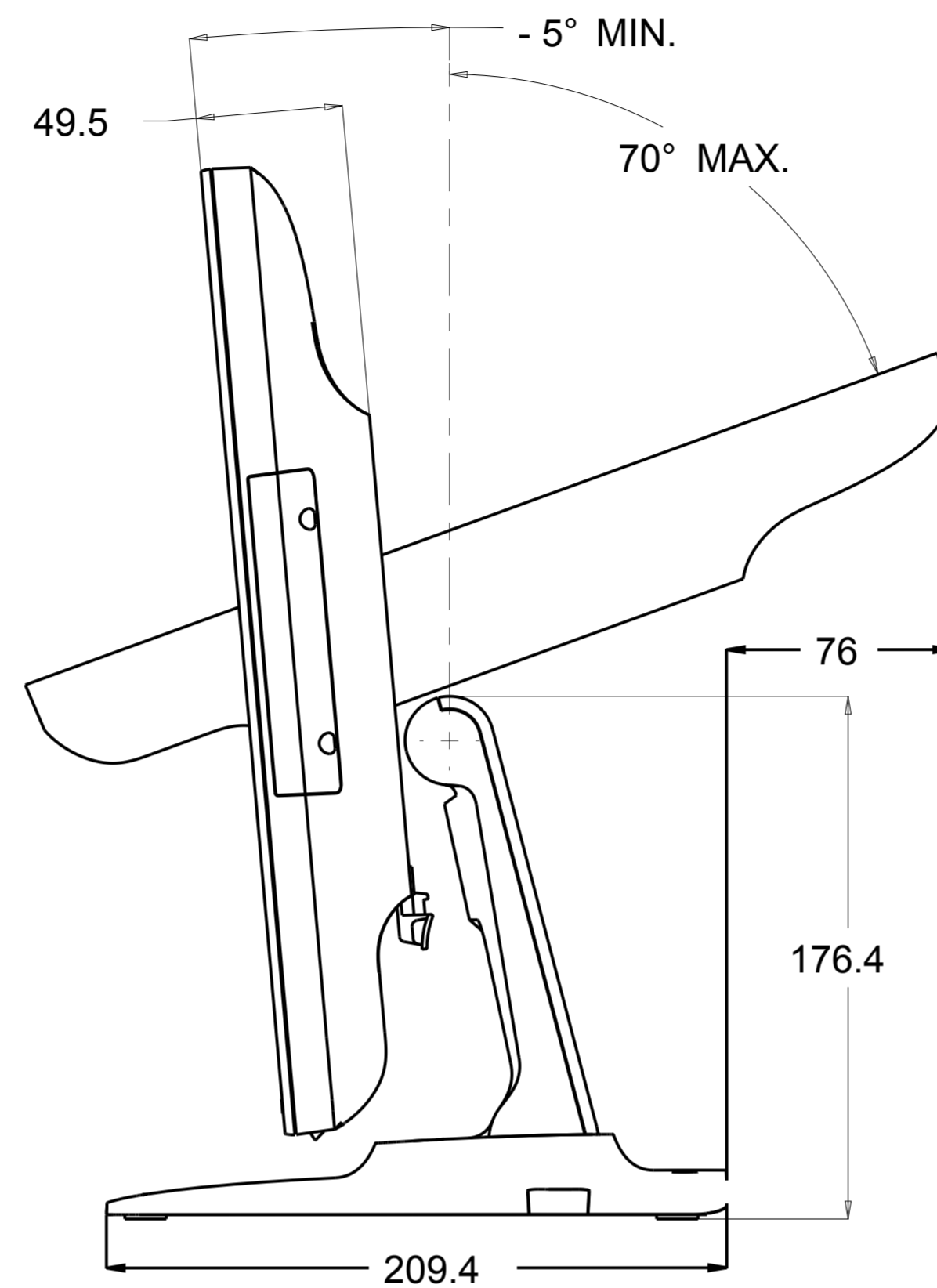
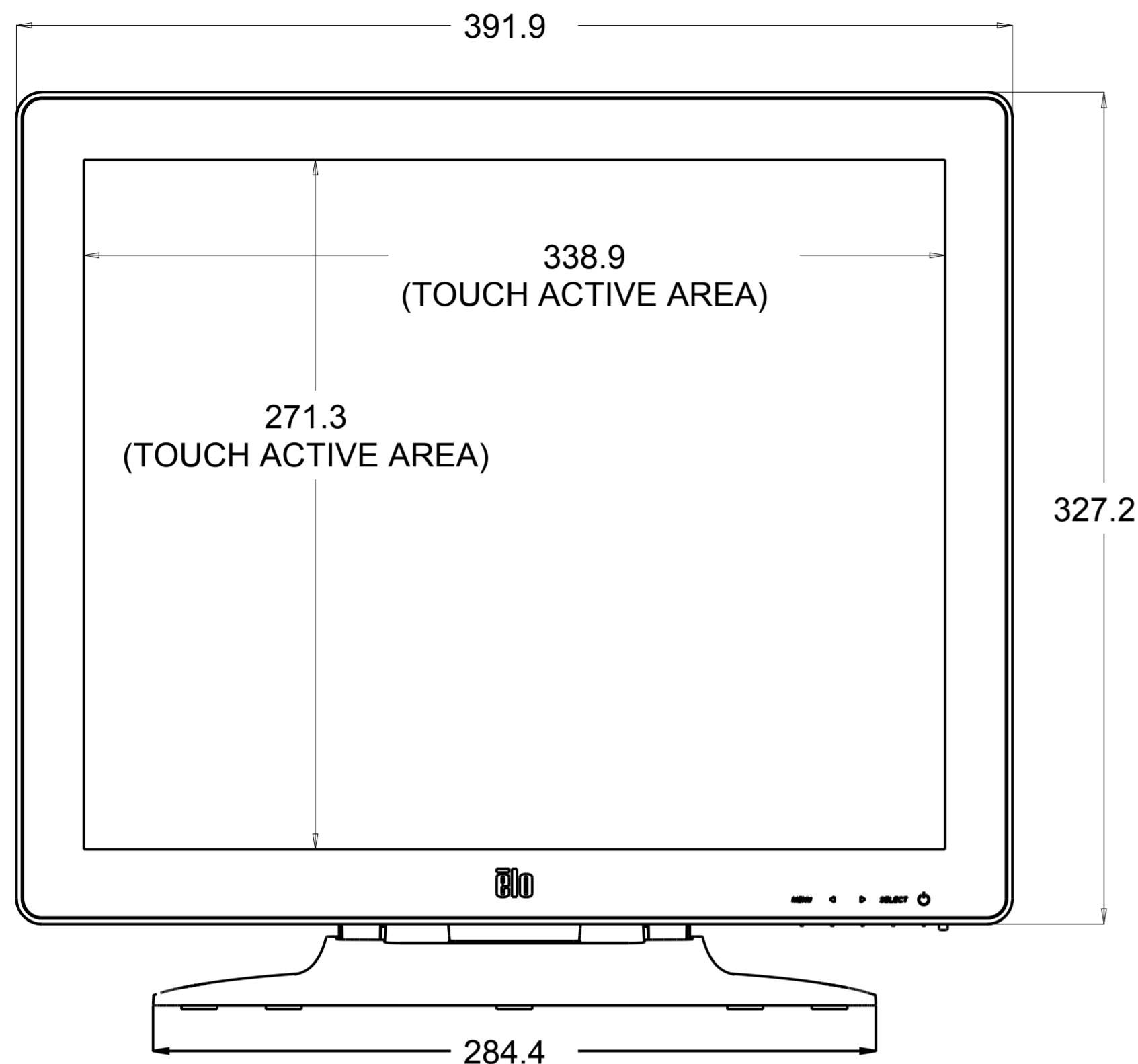


DISPLAY ANGLE RANGE
IN LOW POSITION

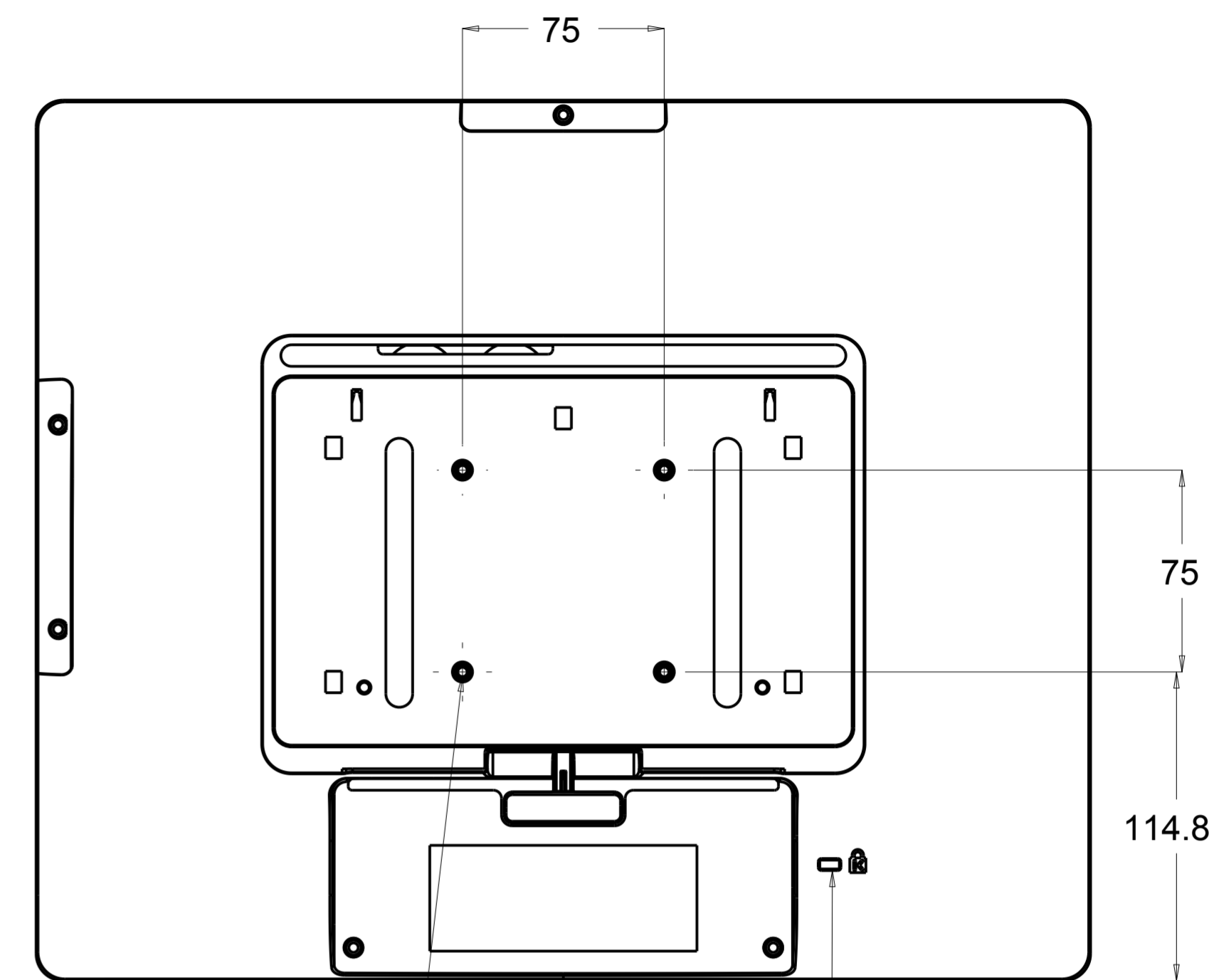


1523 / 1723 INPUTS / OUTPUTS

SEE PG. 1 FOR 1523

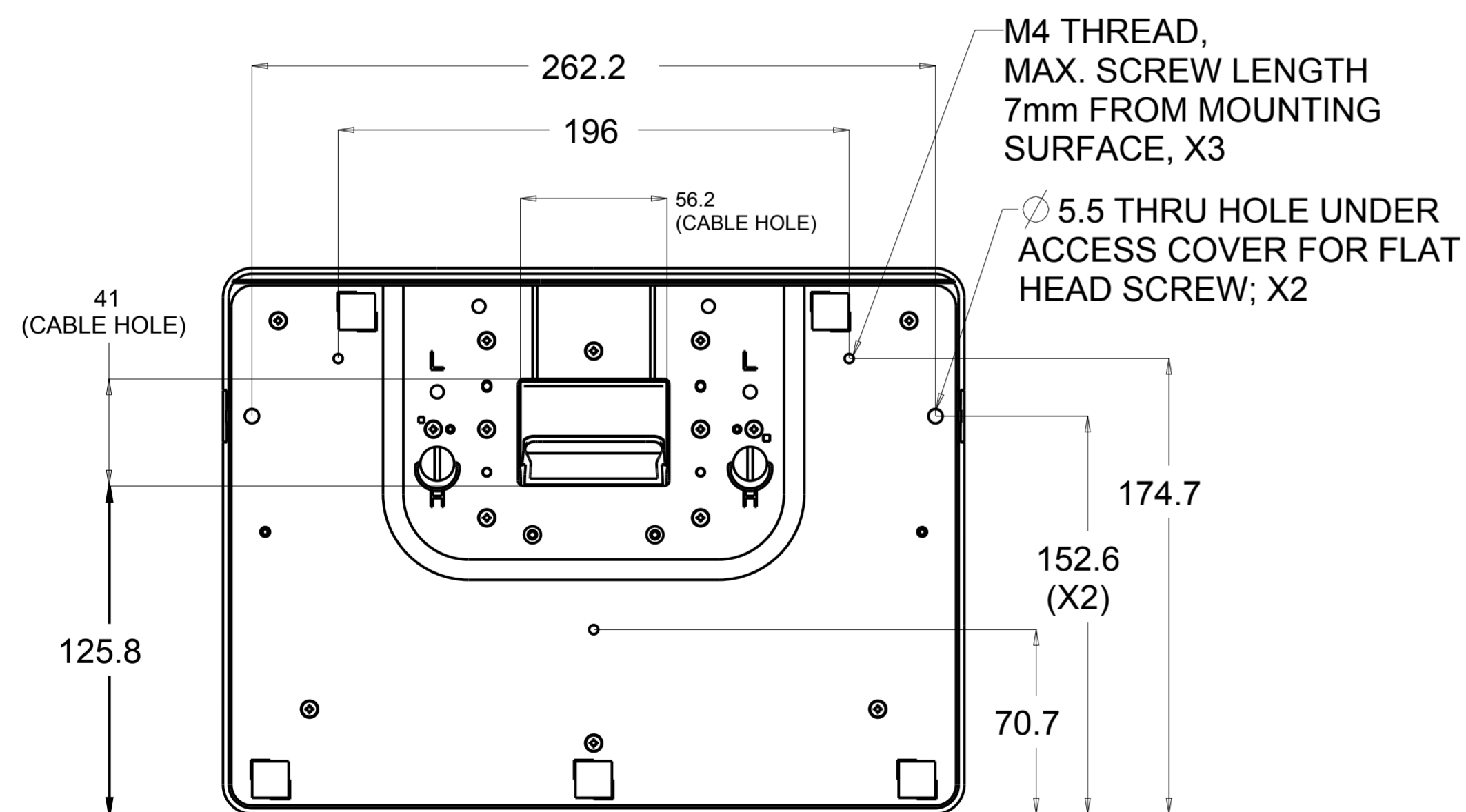


DISPLAY ANGLE RANGE
IN HIGH POSITION



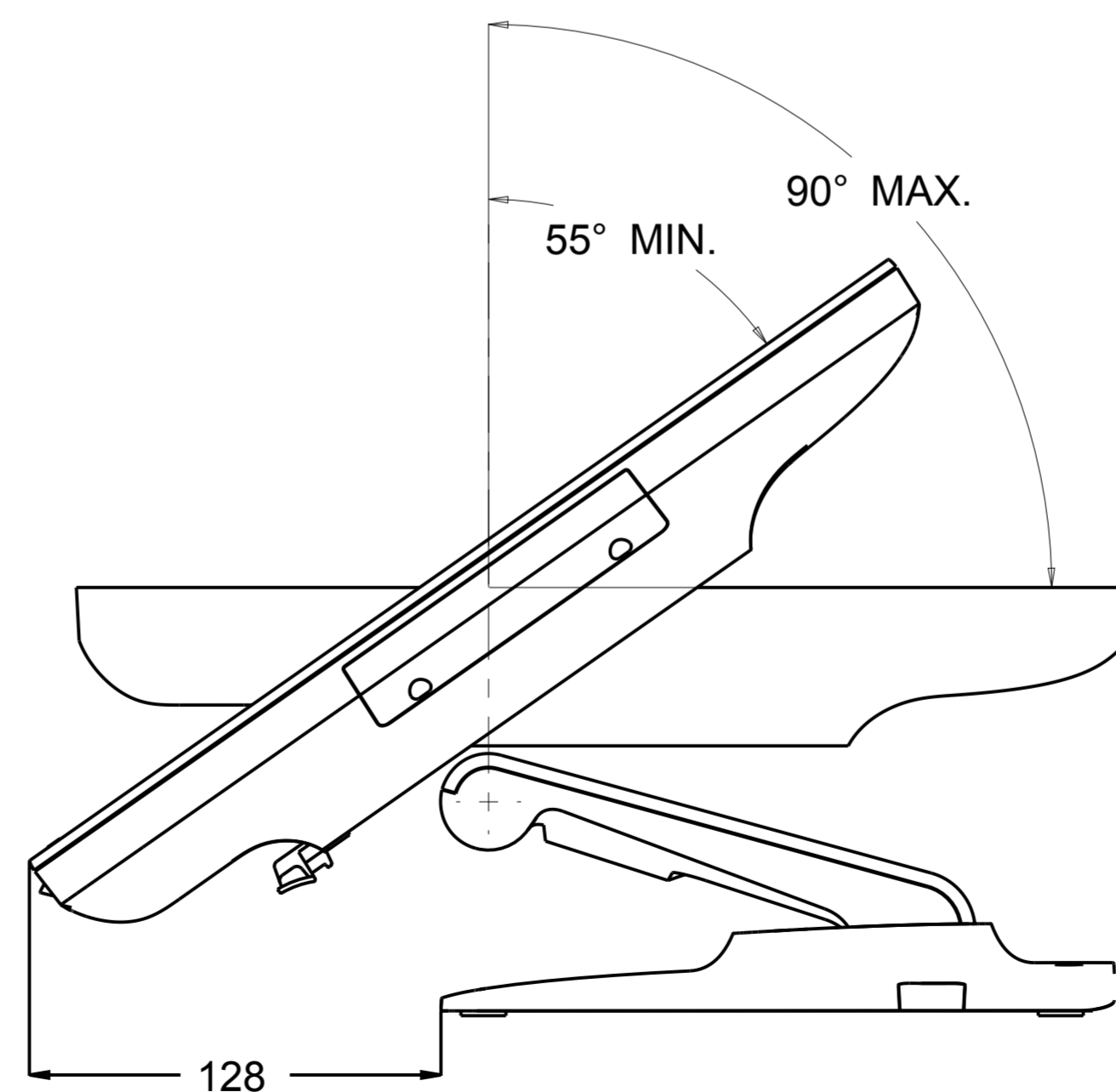
M4 THREAD,
MAX. SCREW LENGTH
7mm FROM MOUNTING
SURFACE, X4

KENSINGTON LOCK
RECEPTICAL



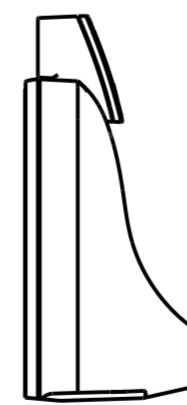
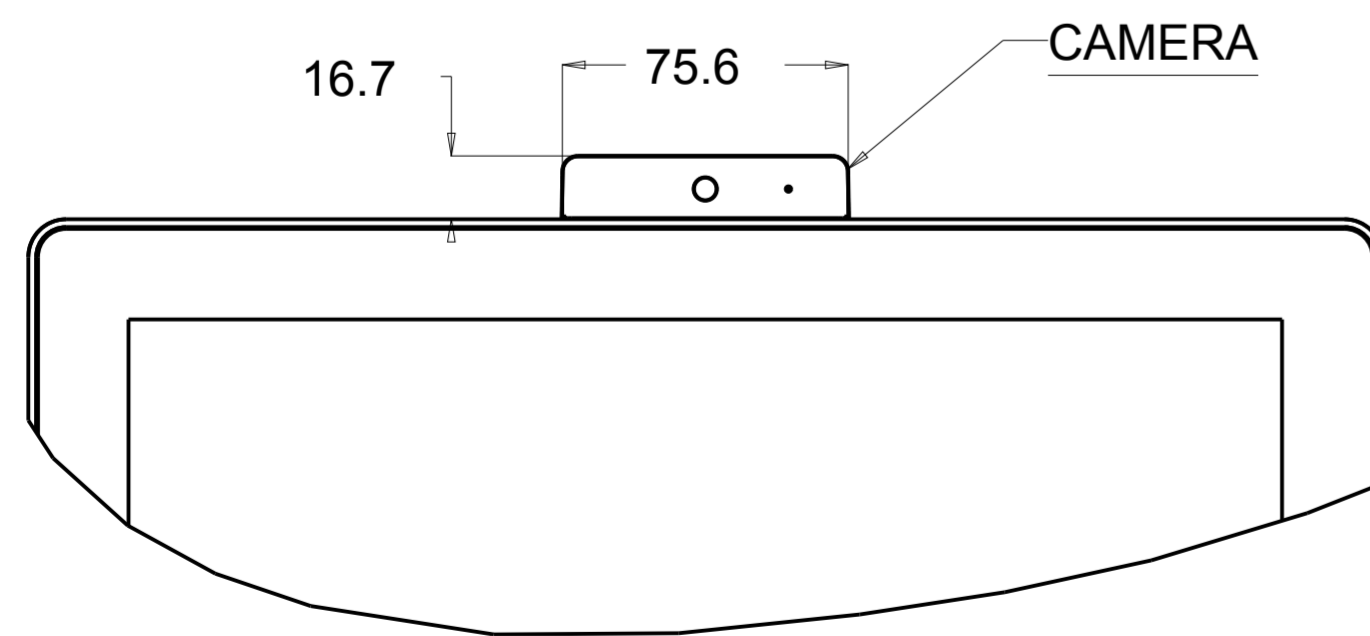
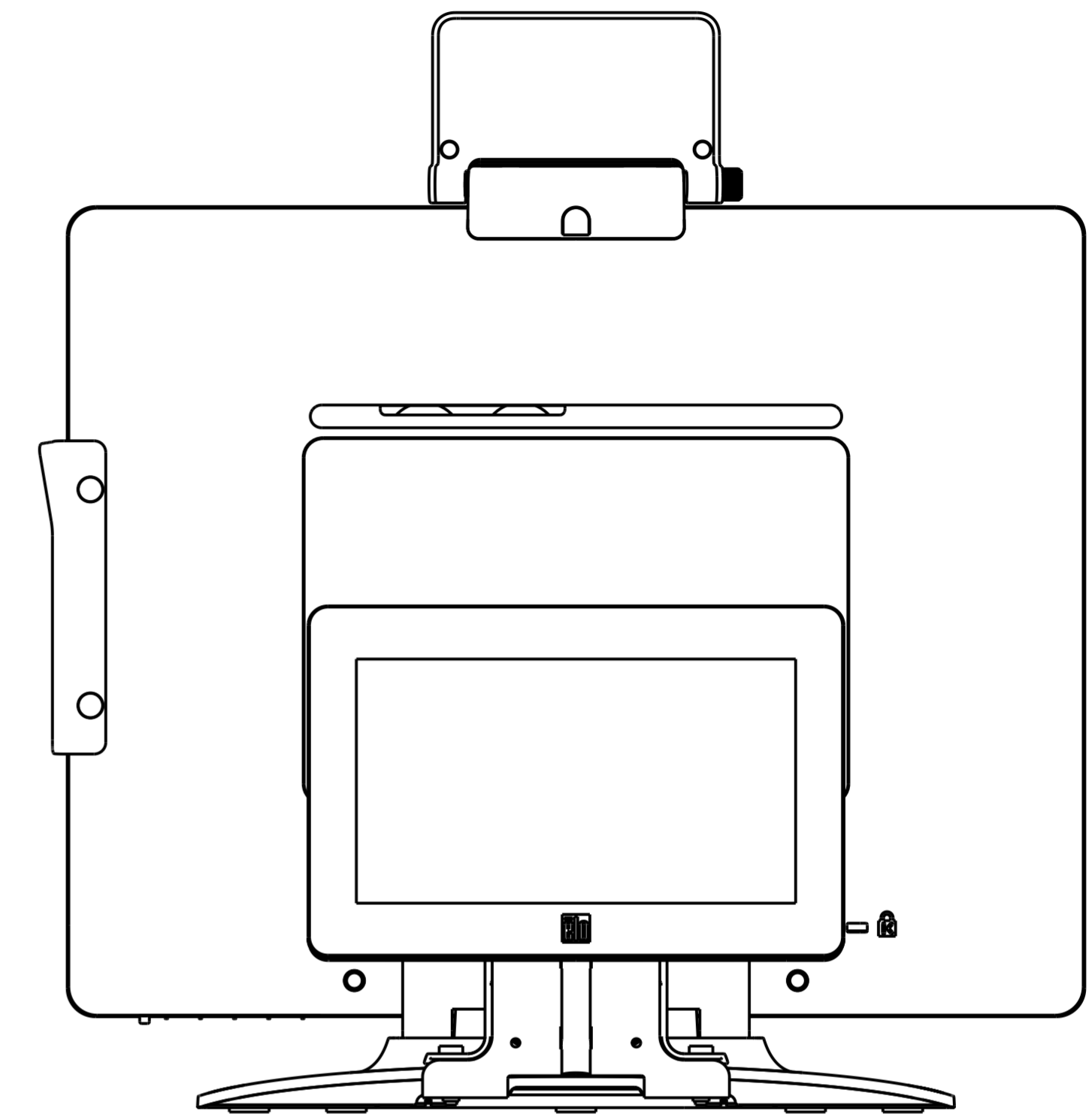
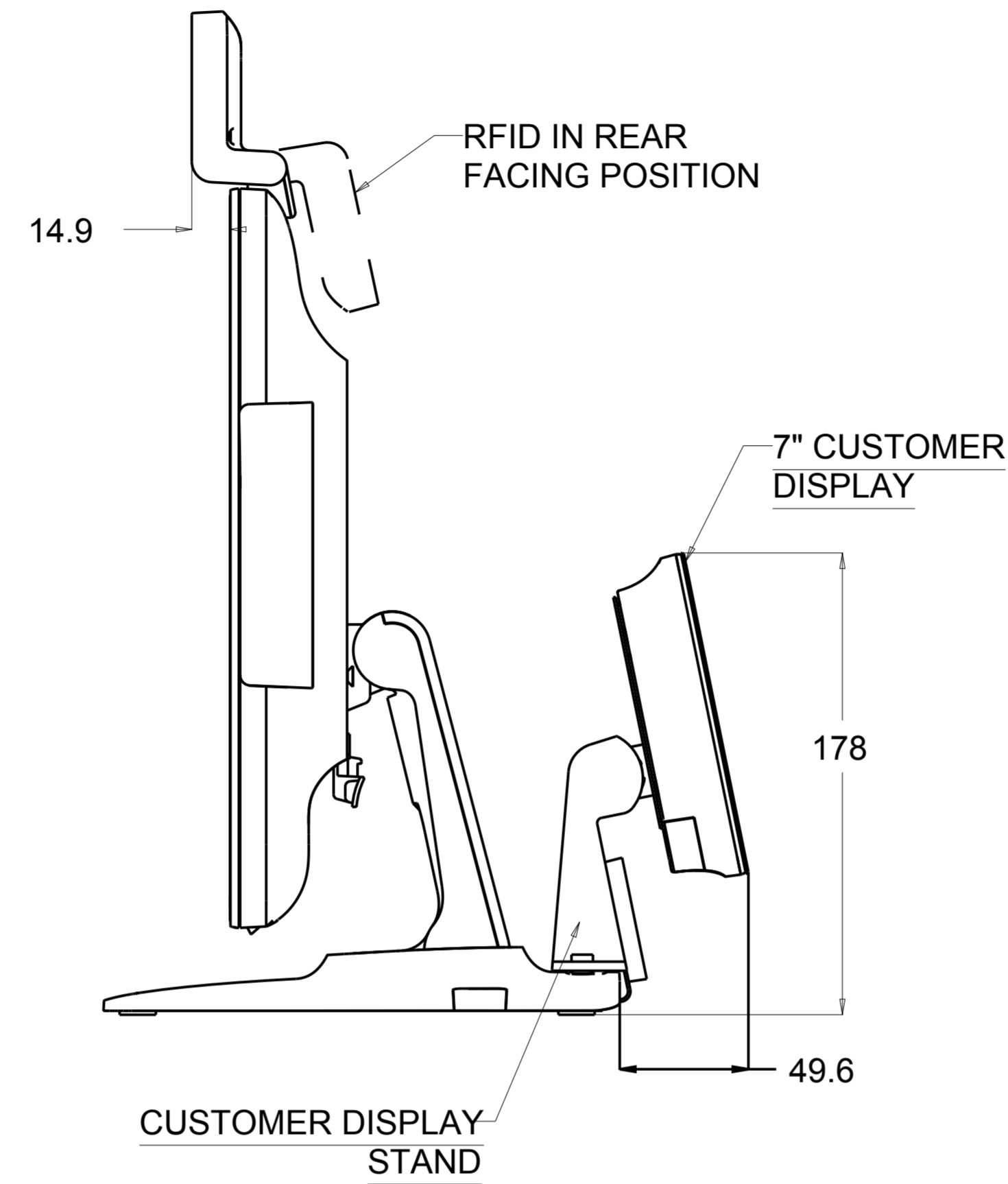
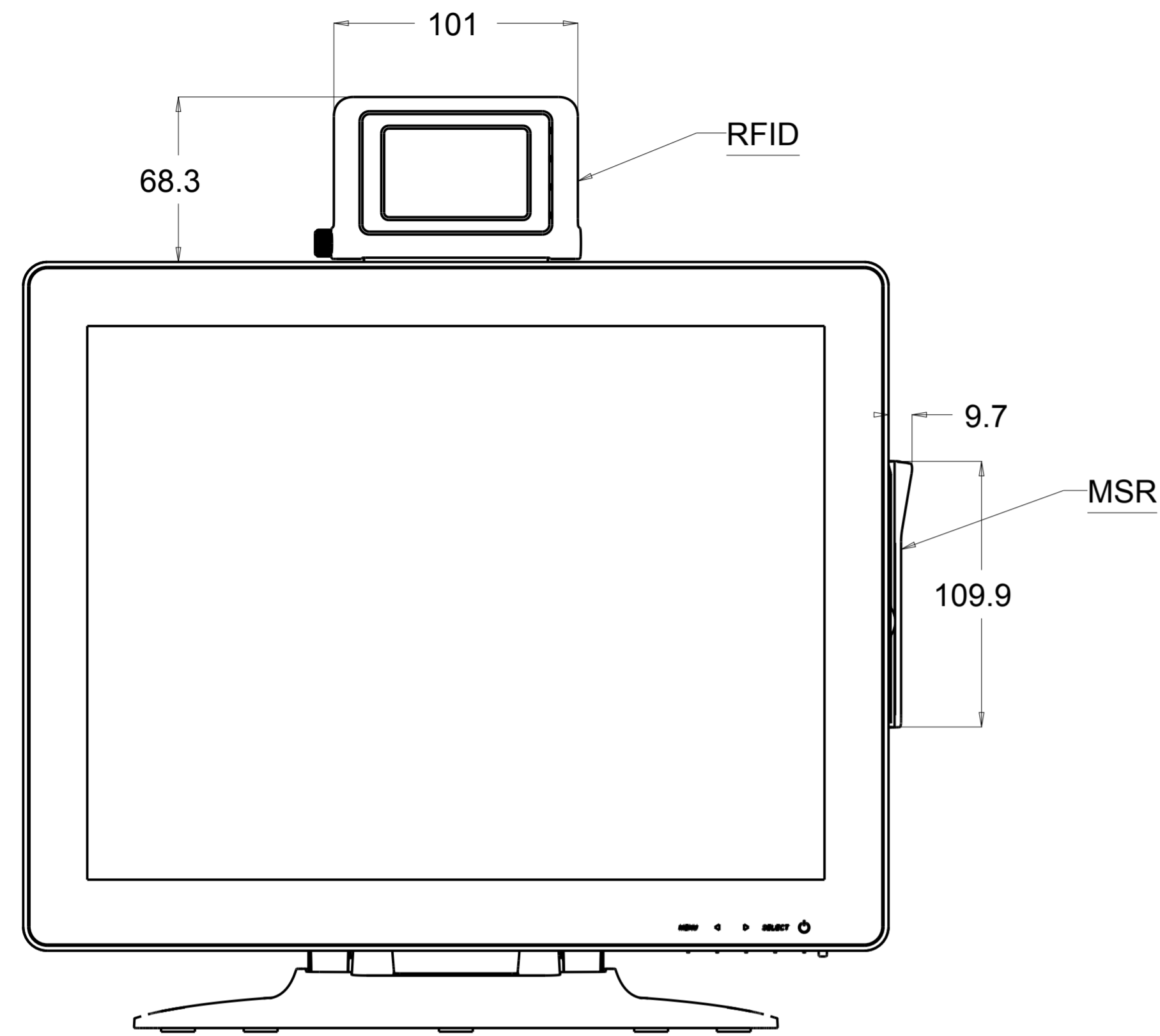
M4 THREAD,
MAX. SCREW LENGTH
7mm FROM MOUNTING
SURFACE, X3

Ø 5.5 THRU HOLE UNDER
ACCESS COVER FOR FLAT
HEAD SCREW; X2



DISPLAY ANGLE RANGE
IN LOW POSITION

OPTIONAL ACCESSORIES



VESA FILL PLATE

E000448 - 1523L BLACK
E000449 - 1523L WHITE
E000450 - 1723L BLACK
E000451 - 1723L WHITE

