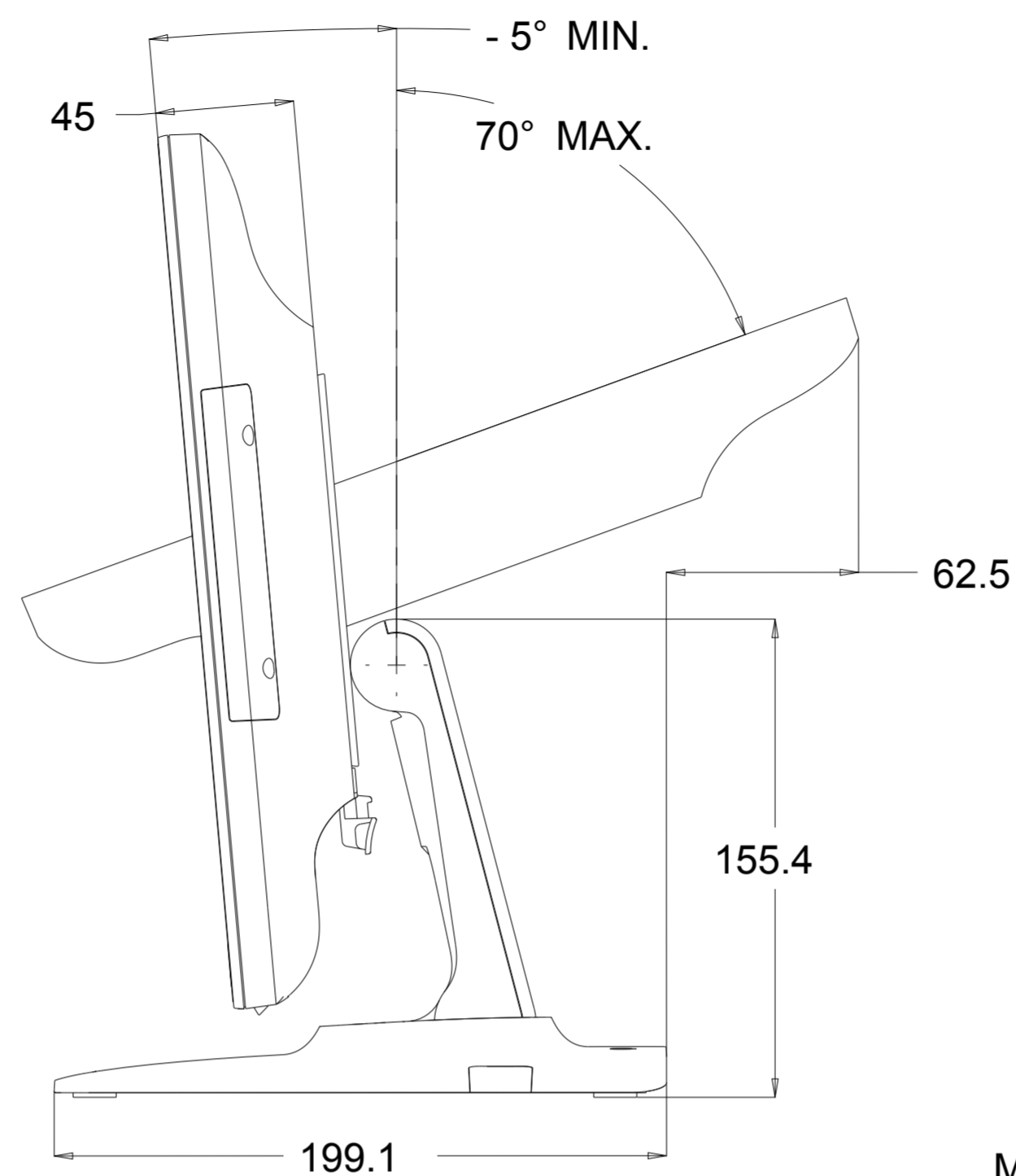
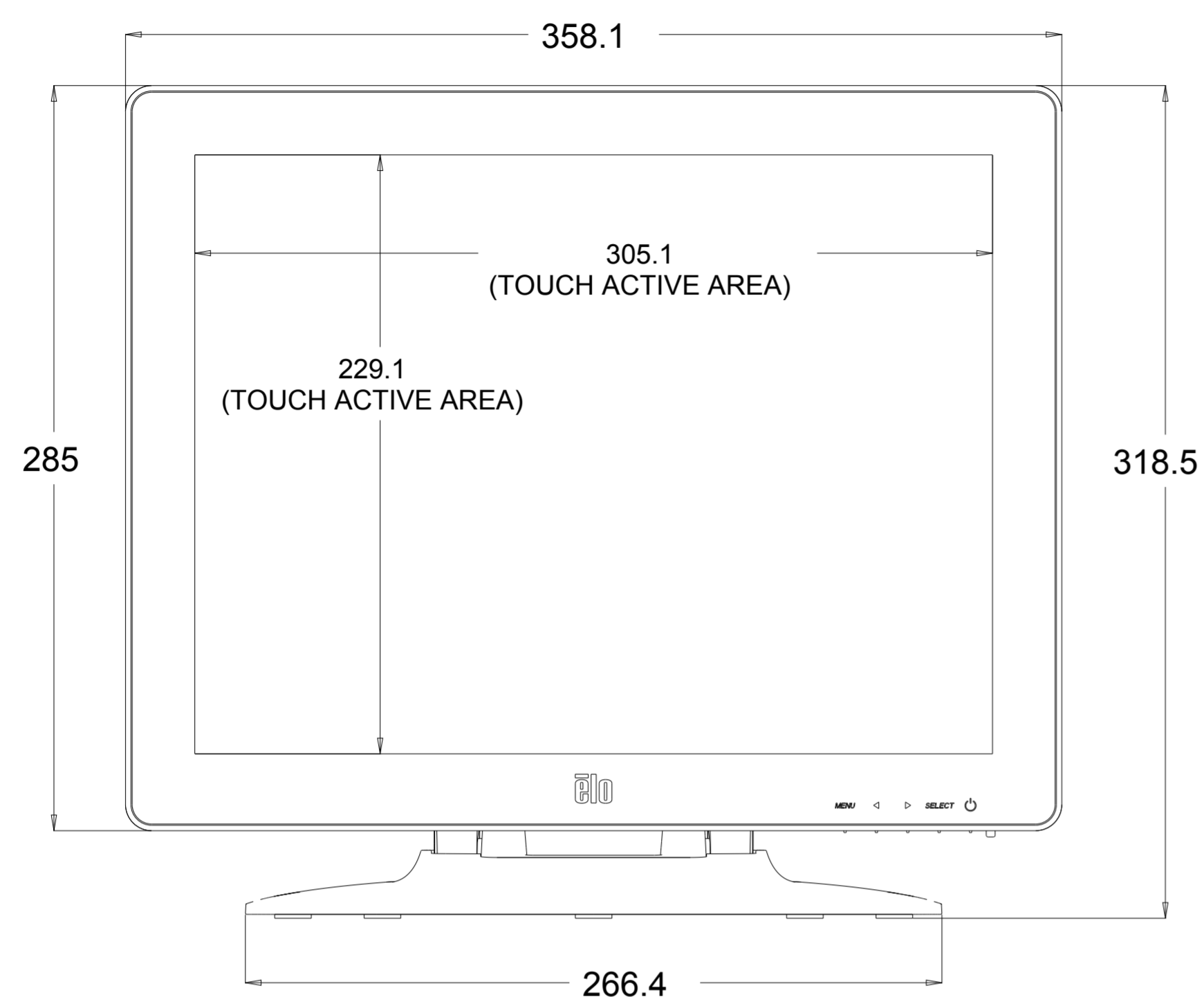
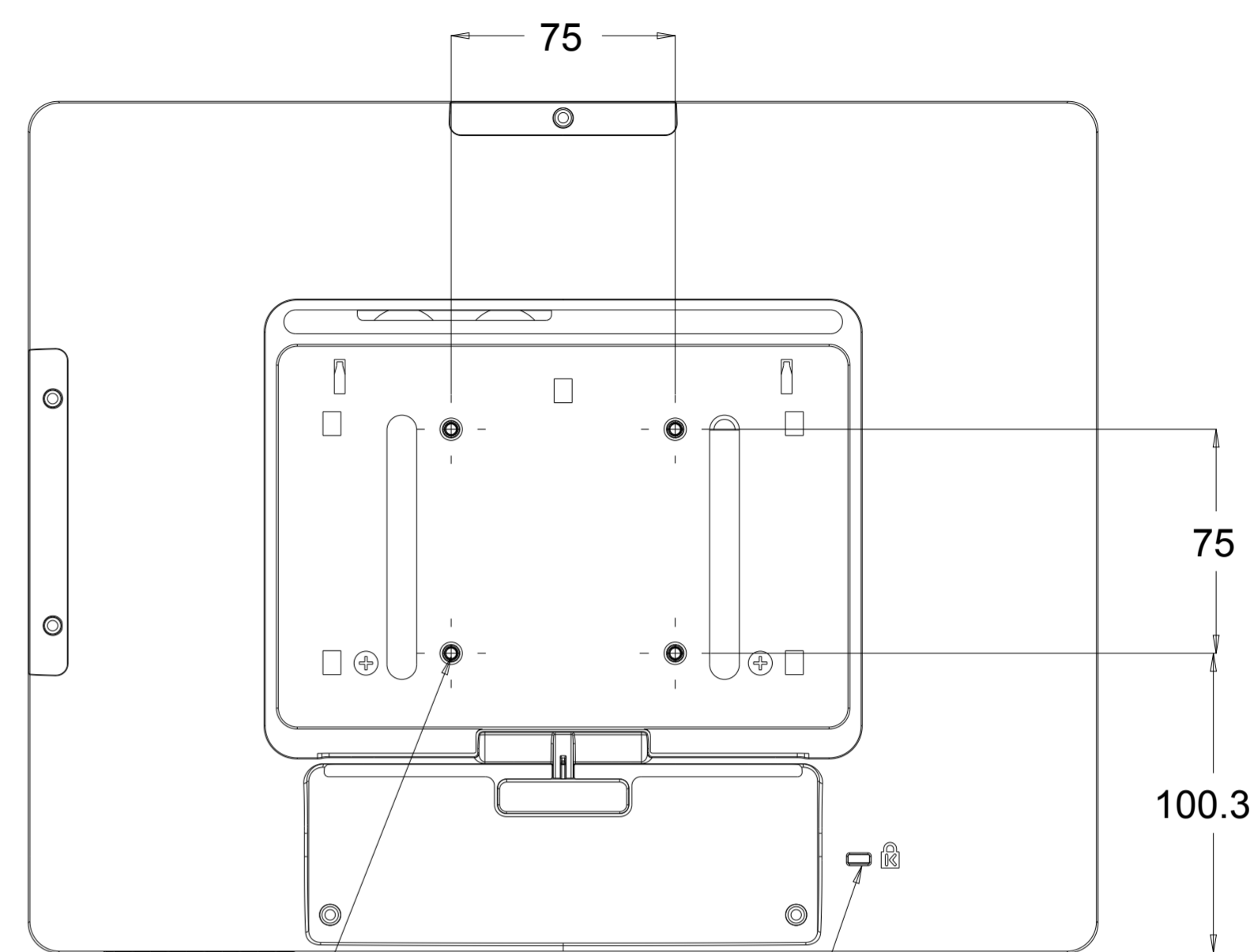


SEE PG. 2 FOR 1723
SEE PG. 3 FOR ACCESSORIES

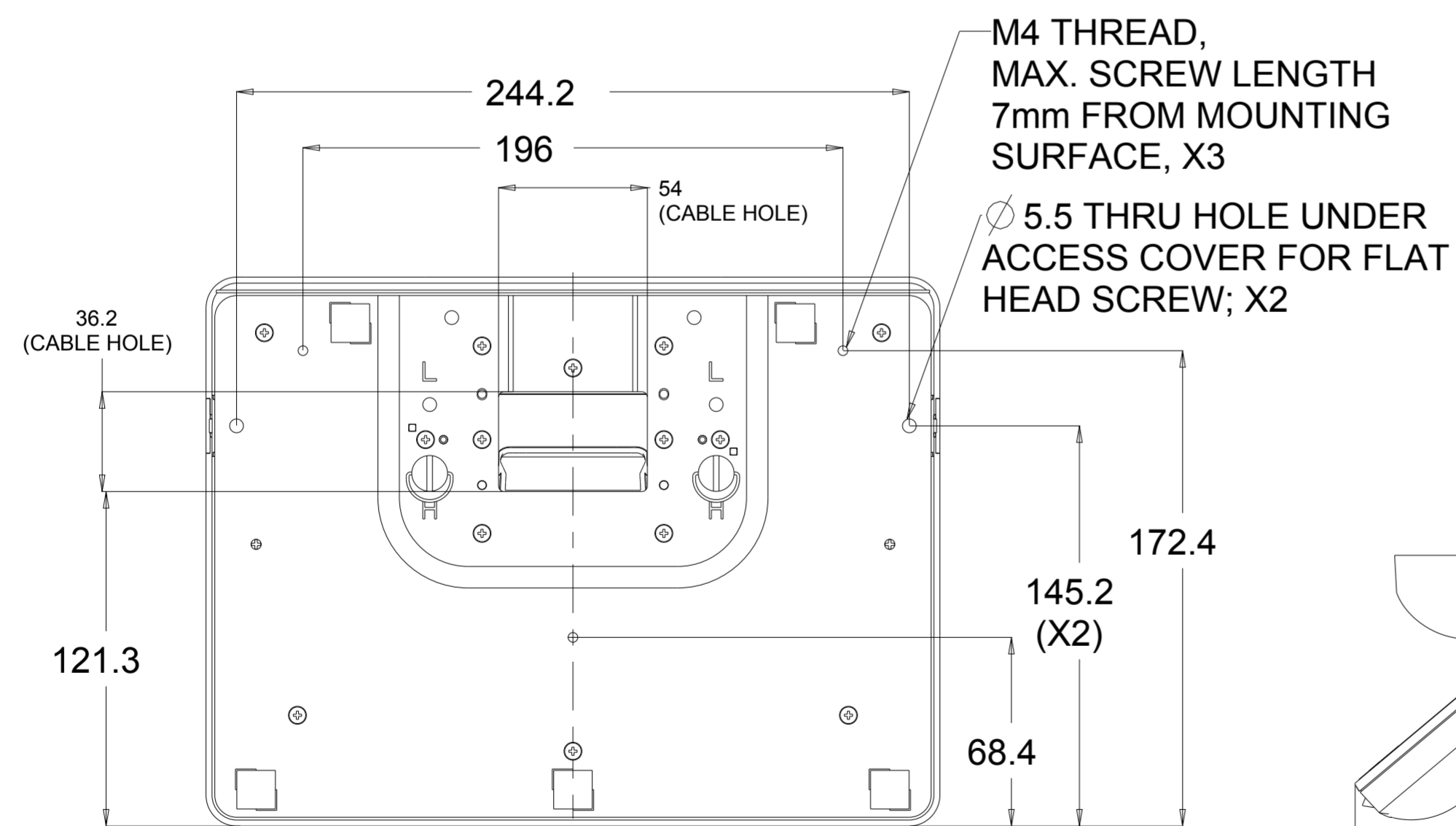


DISPLAY ANGLE RANGE
IN HIGH POSITION



M4 THREAD,
MAX. SCREW LENGTH
7mm FROM MOUNTING
SURFACE, X4

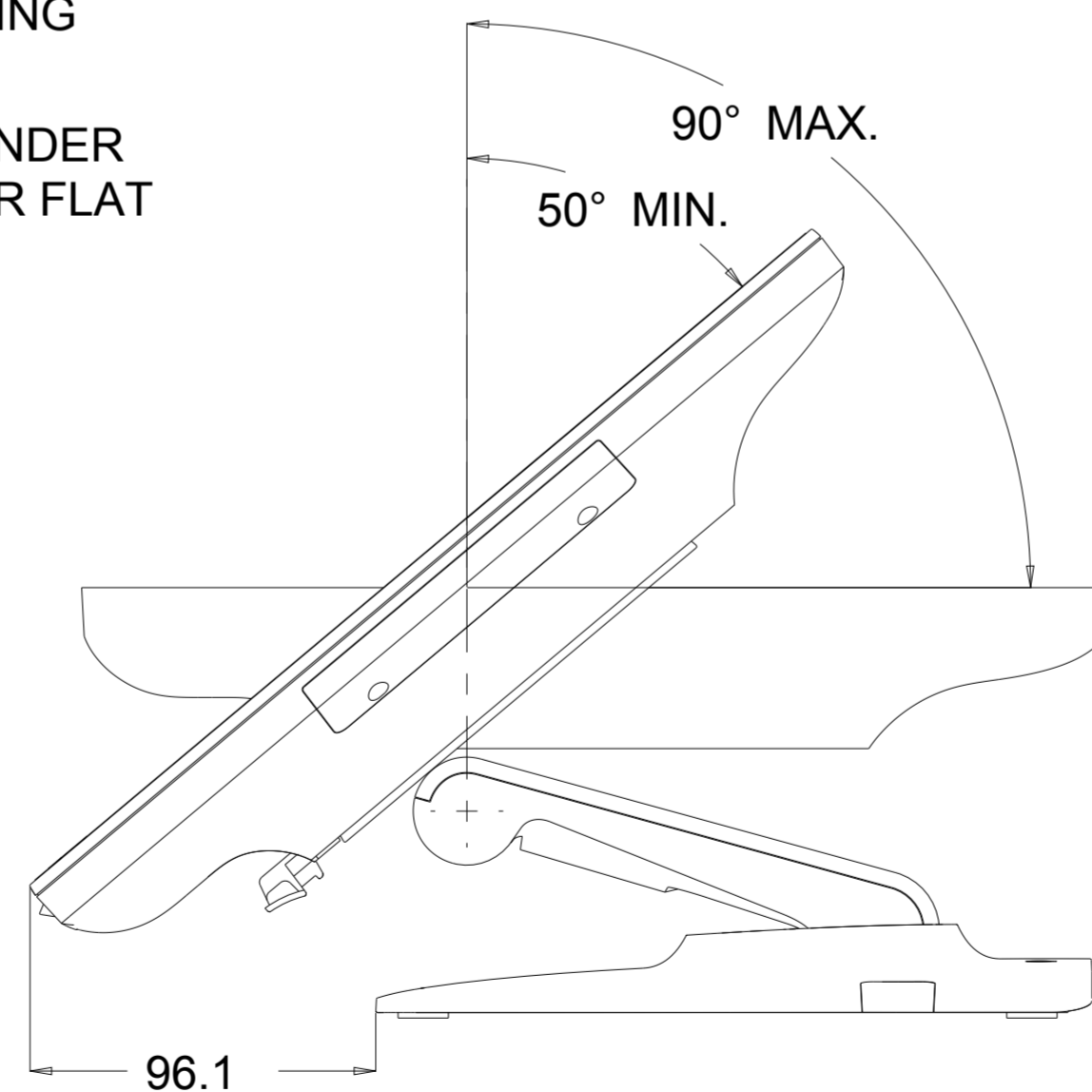
KENSINGTON LOCK
RECEPTICAL



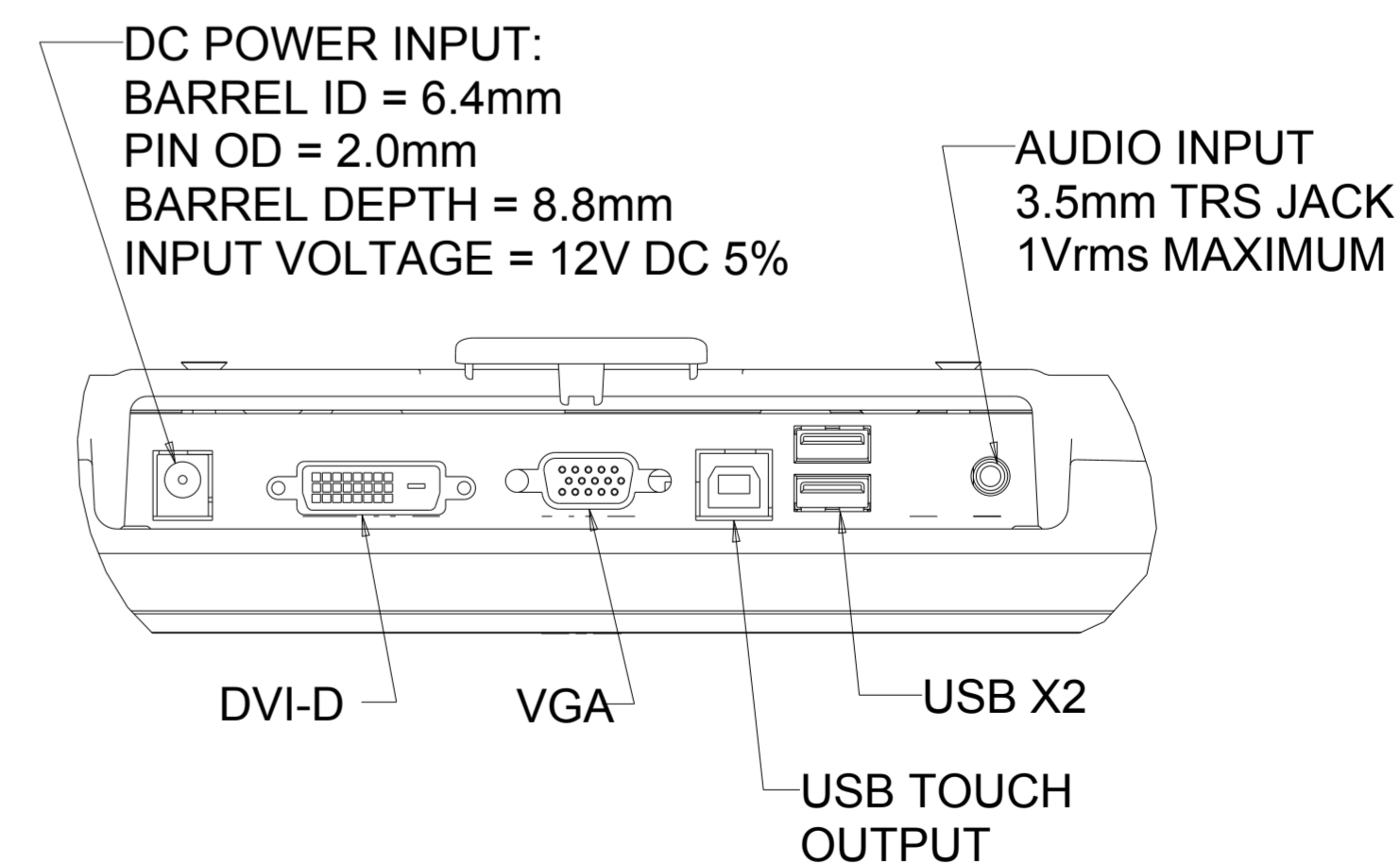
1523 STAND BOTTOM VIEW

M4 THREAD,
MAX. SCREW LENGTH
7mm FROM MOUNTING
SURFACE, X3

5.5 THRU HOLE UNDER
ACCESS COVER FOR FLAT
HEAD SCREW; X2

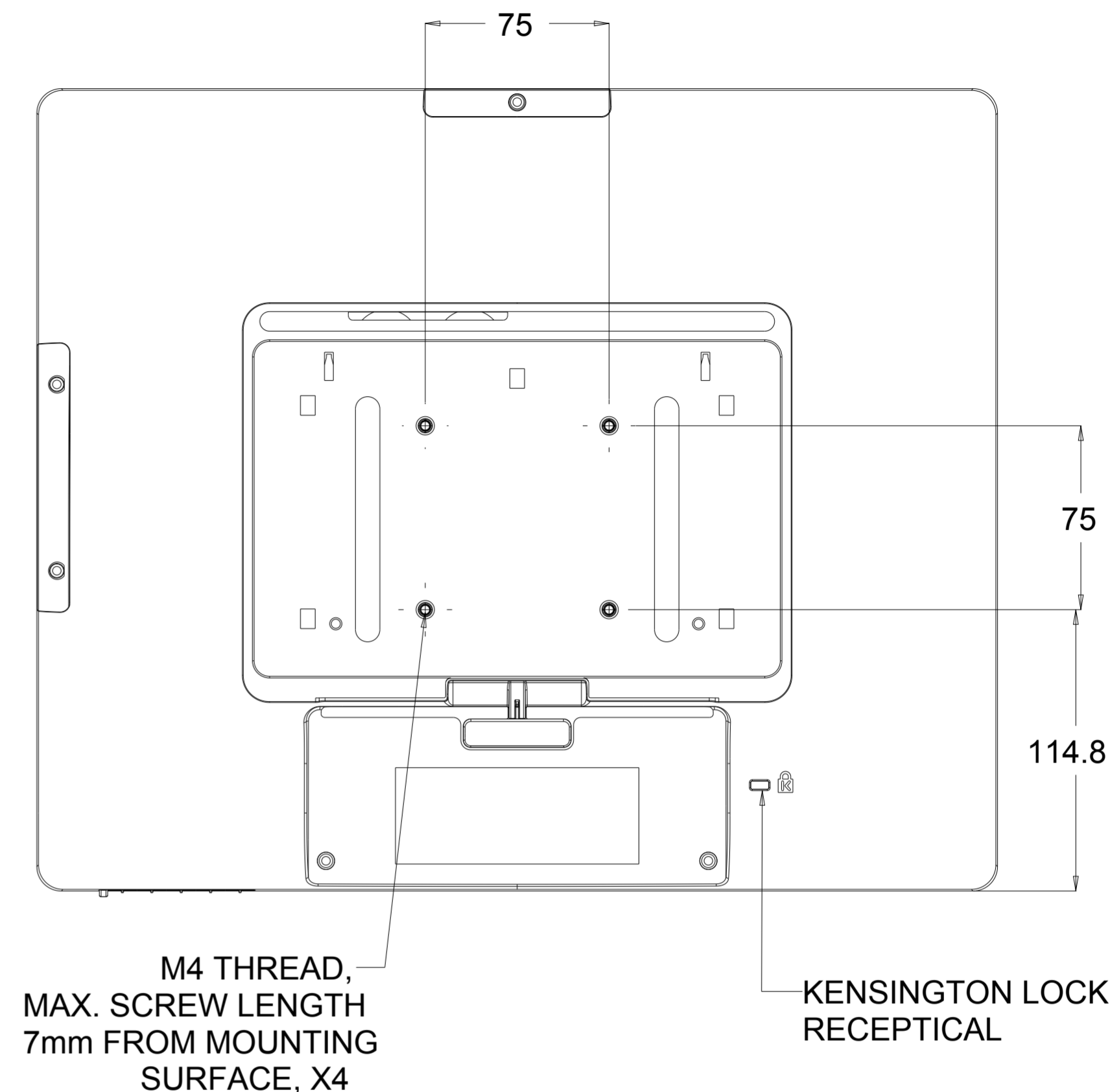
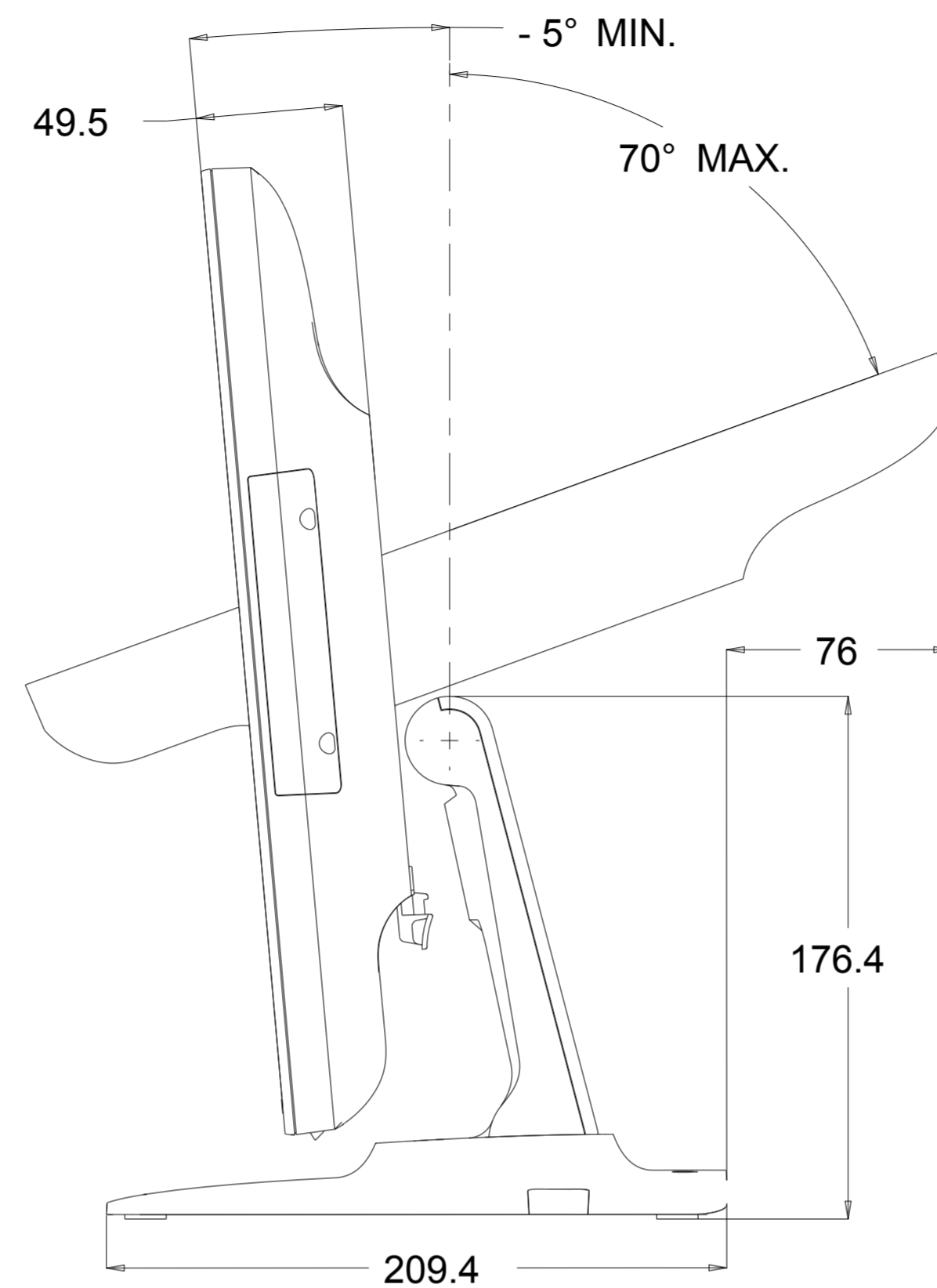
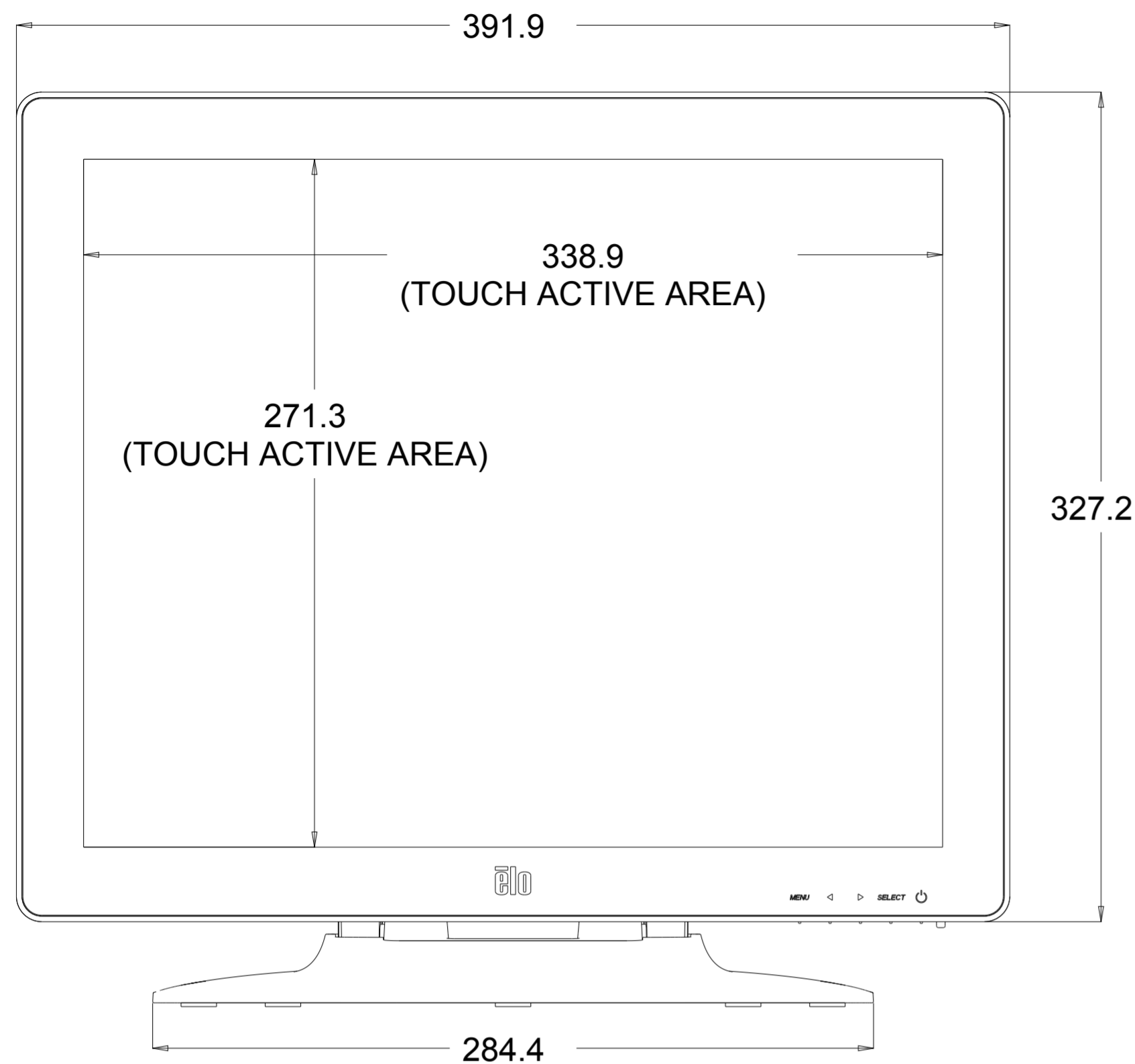


DISPLAY ANGLE RANGE
IN LOW POSITION

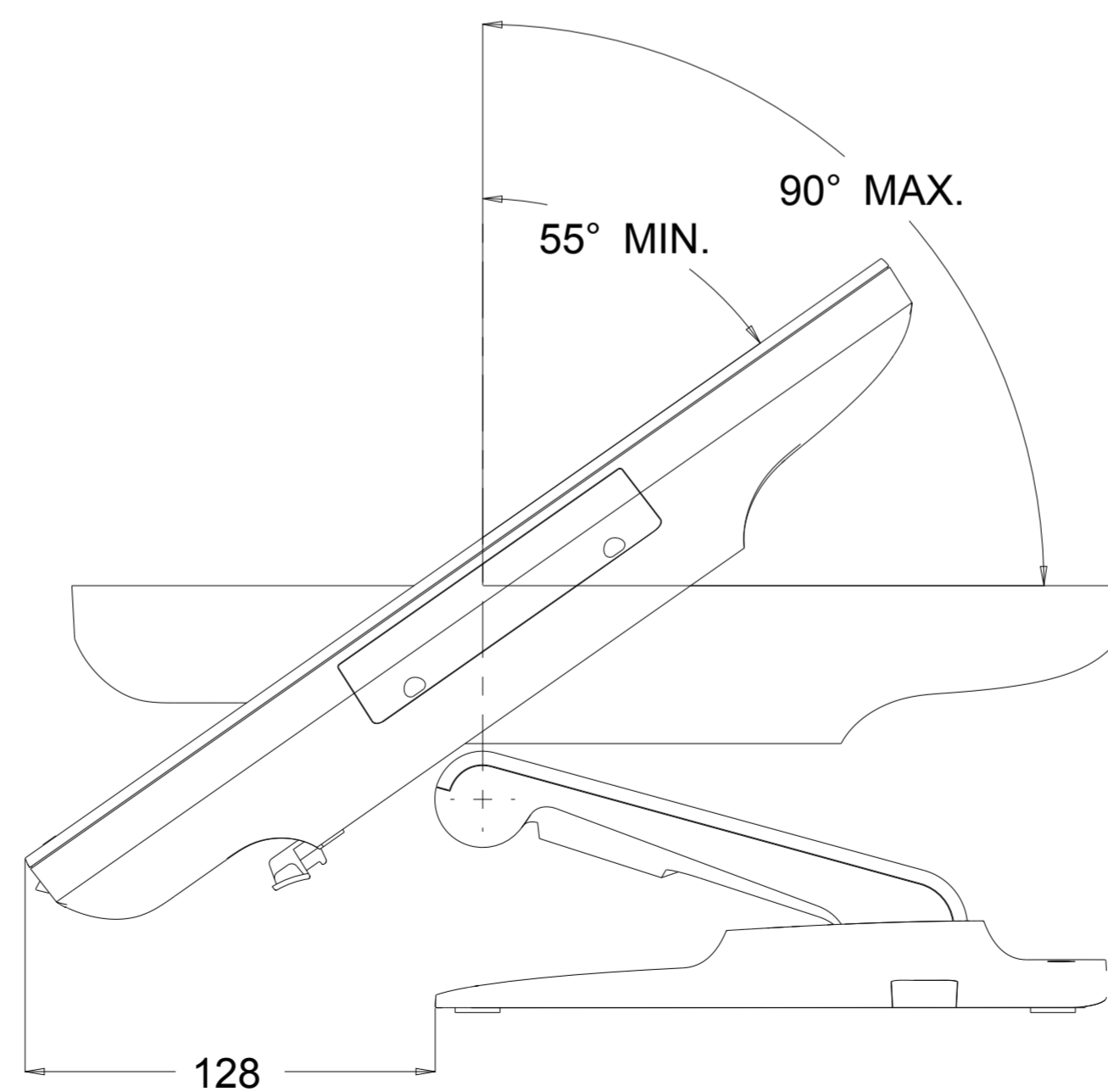


1523 / 1723 INPUTS / OUTPUTS

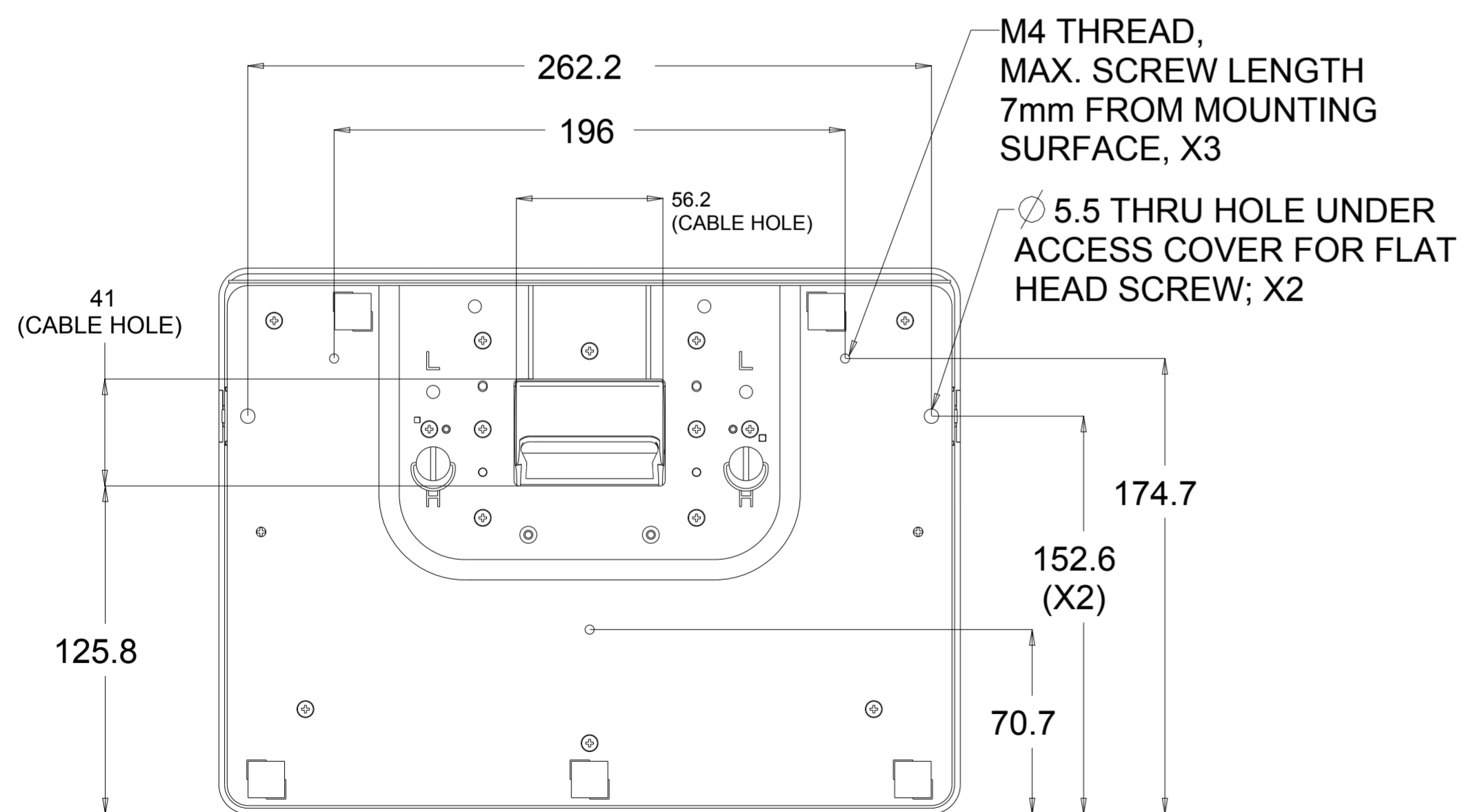
SEE PG. 1 FOR 1523



DISPLAY ANGLE RANGE
IN HIGH POSITION

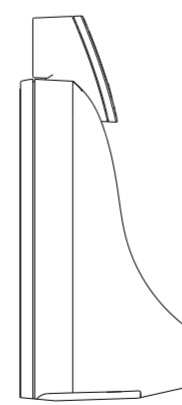
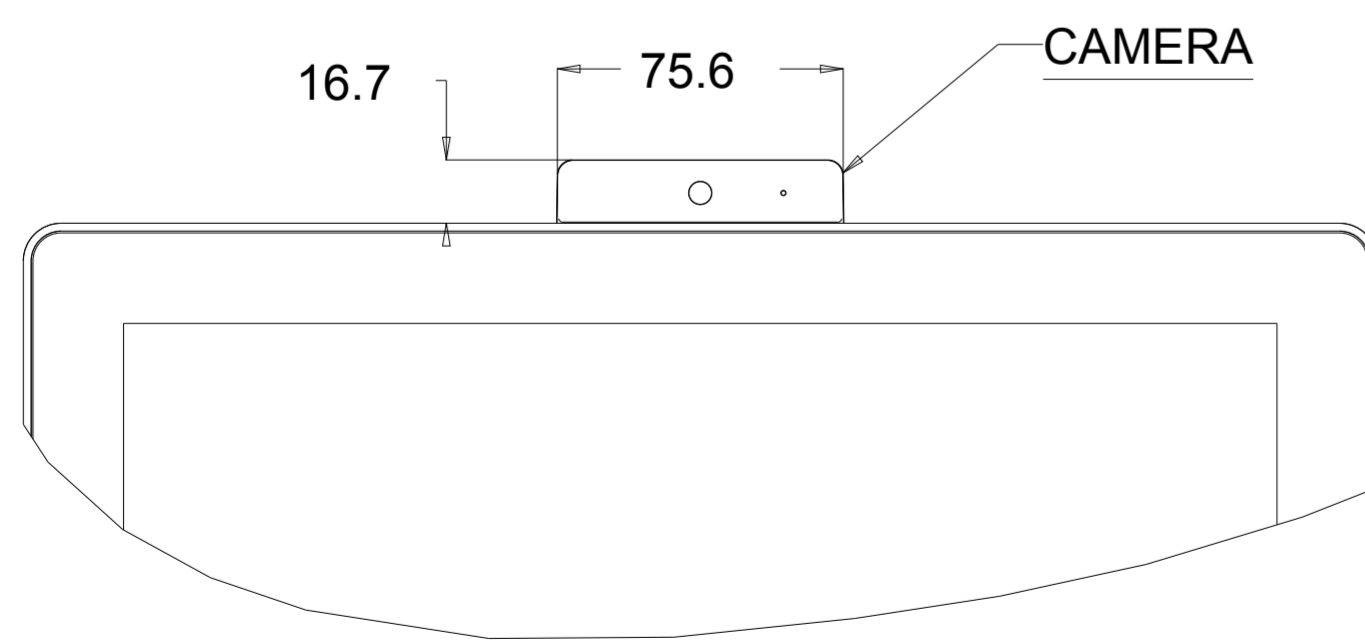
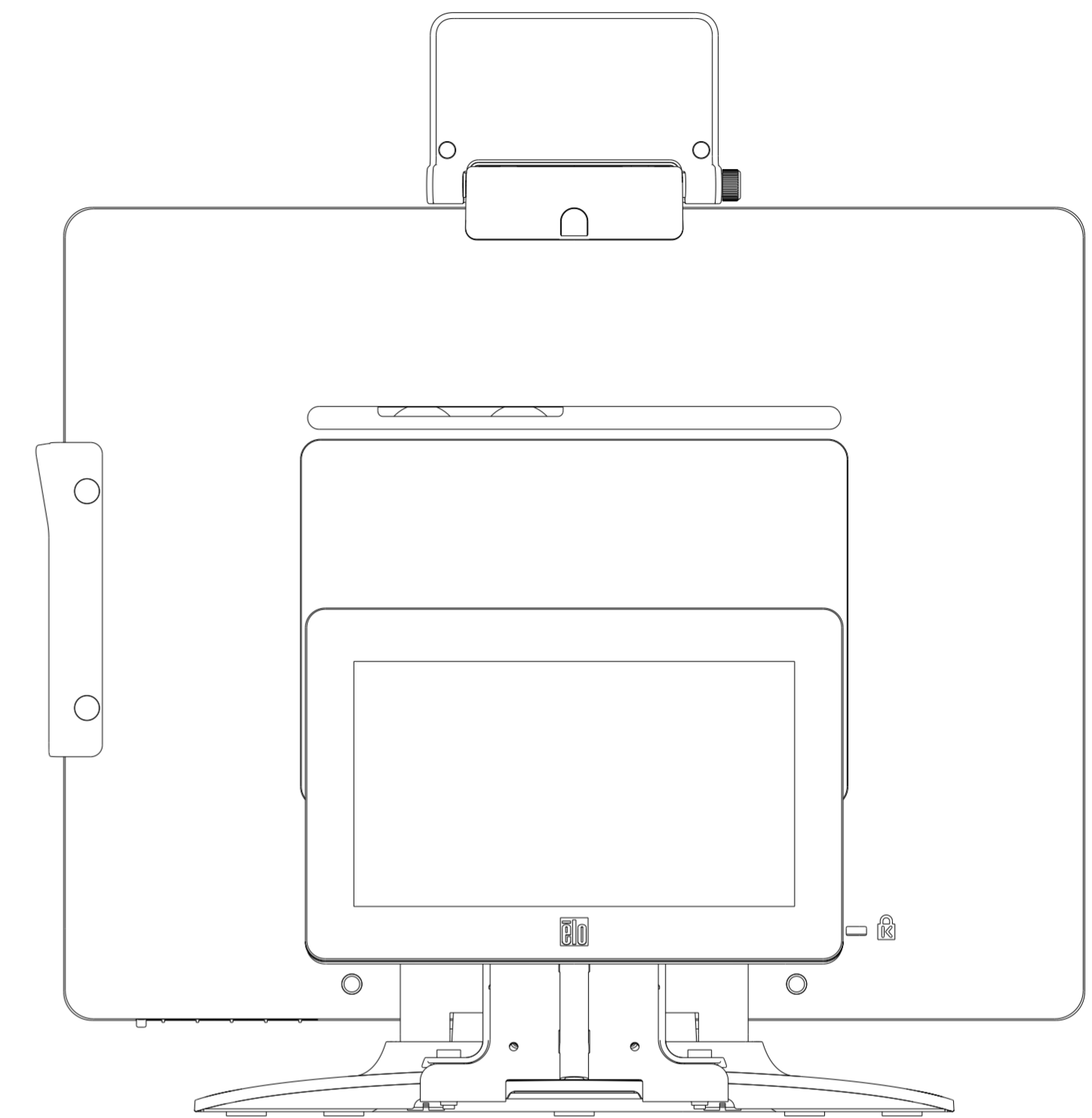
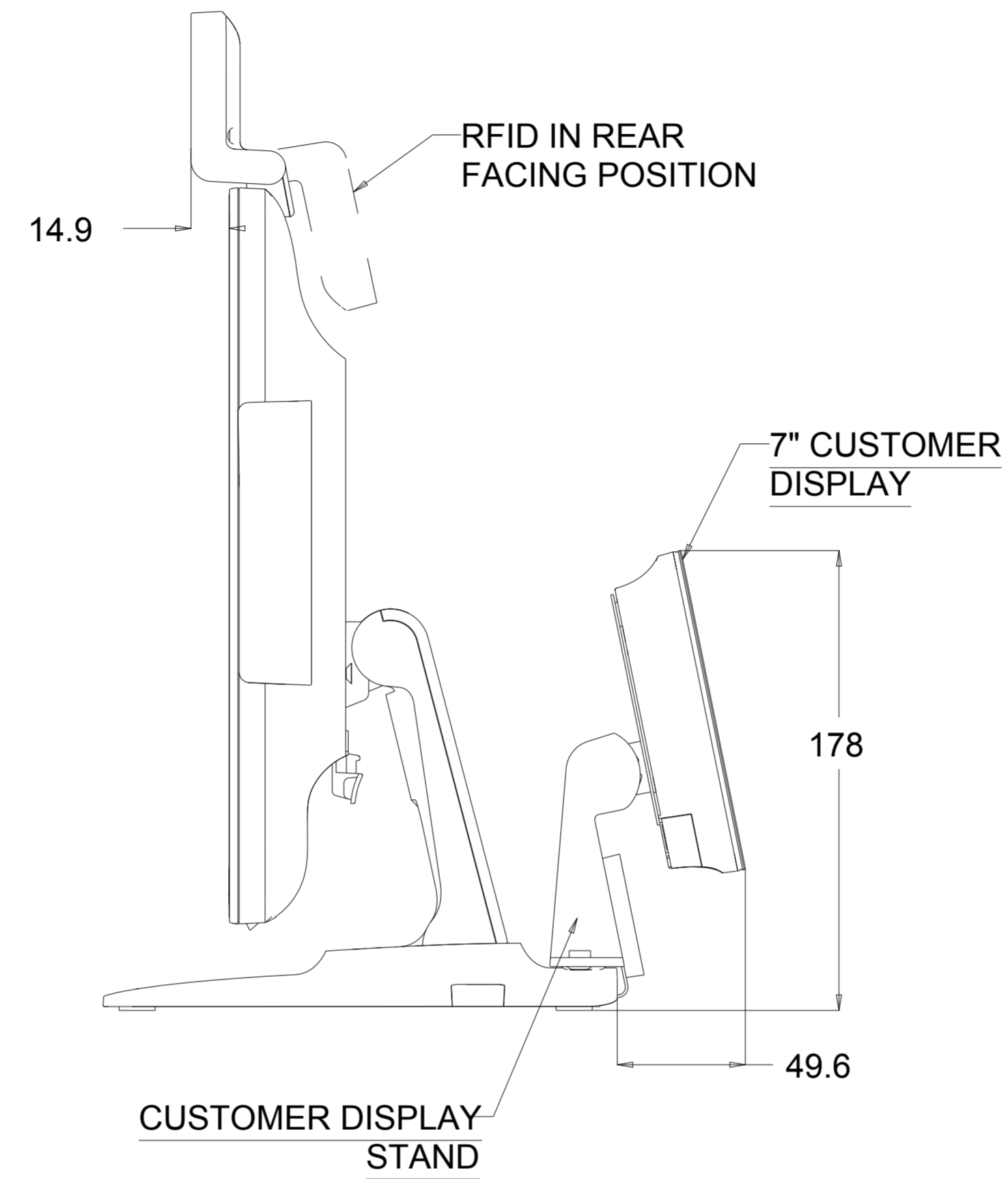
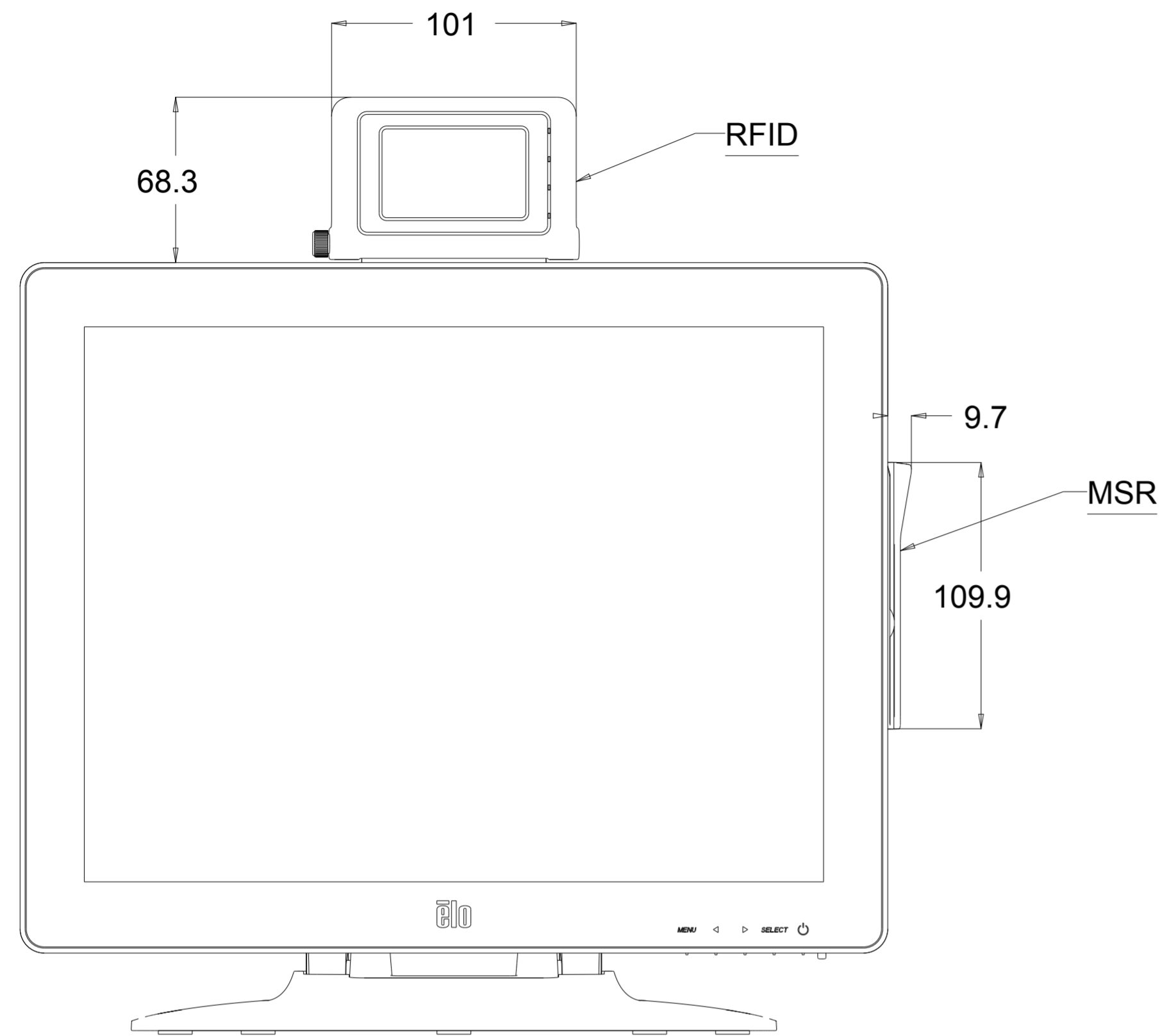


DISPLAY ANGLE RANGE
IN LOW POSITION



DIMENSIONS ARE IN MILLIMETERS

OPTIONAL ACCESSORIES



- VESA FILL PLATE
- E000448 - 1523L BLACK
 - E000449 - 1523L WHITE
 - E000450 - 1723L BLACK
 - E000451 - 1723L WHITE

