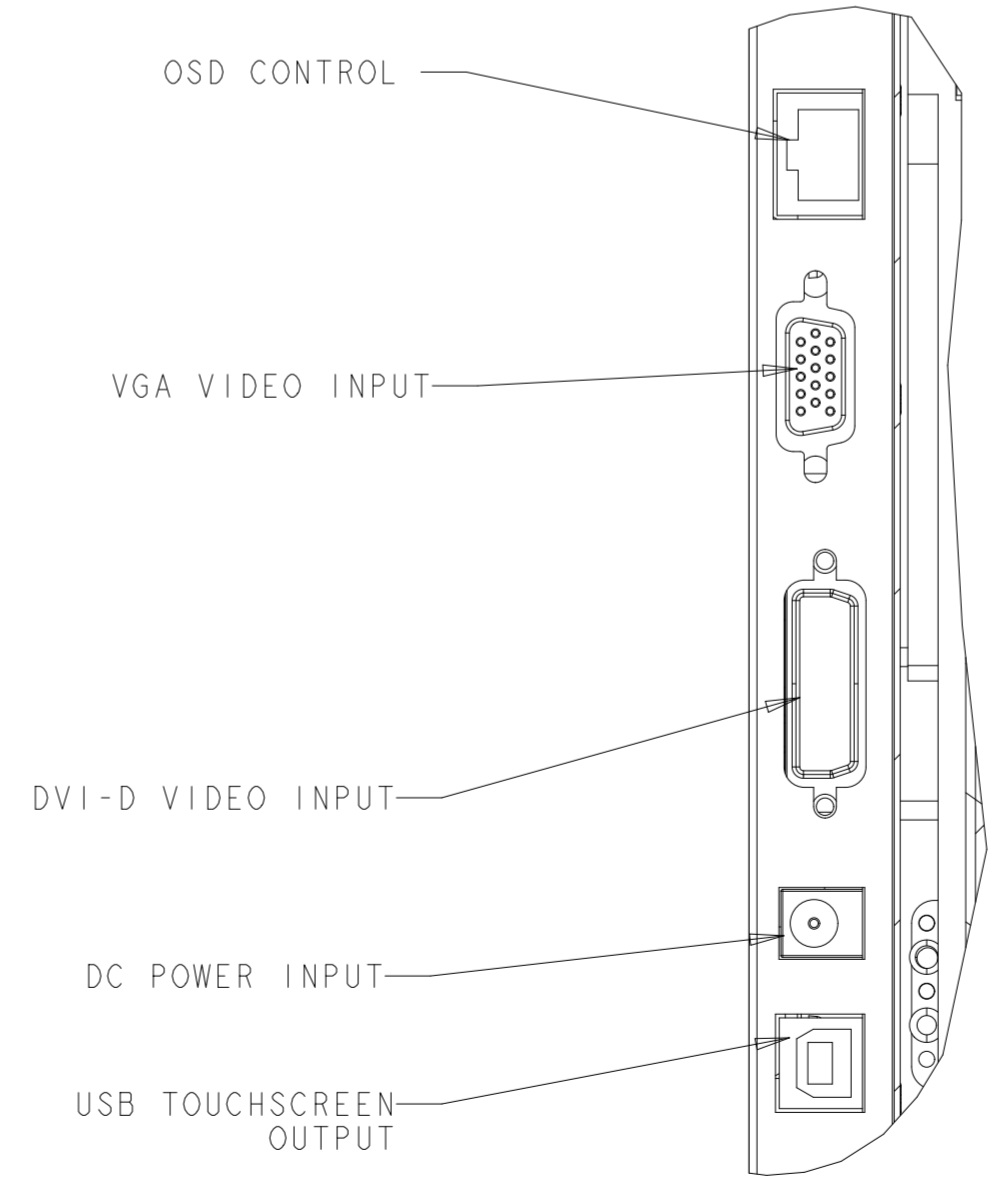
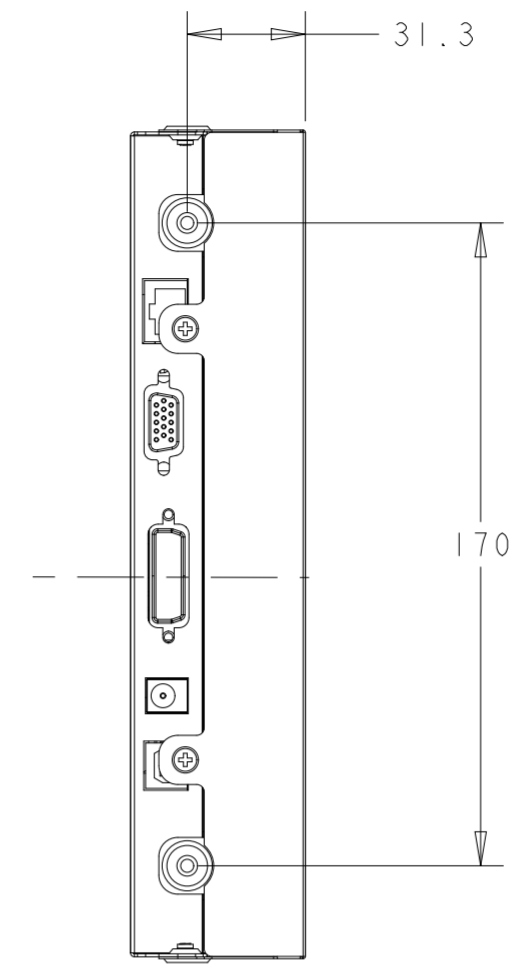
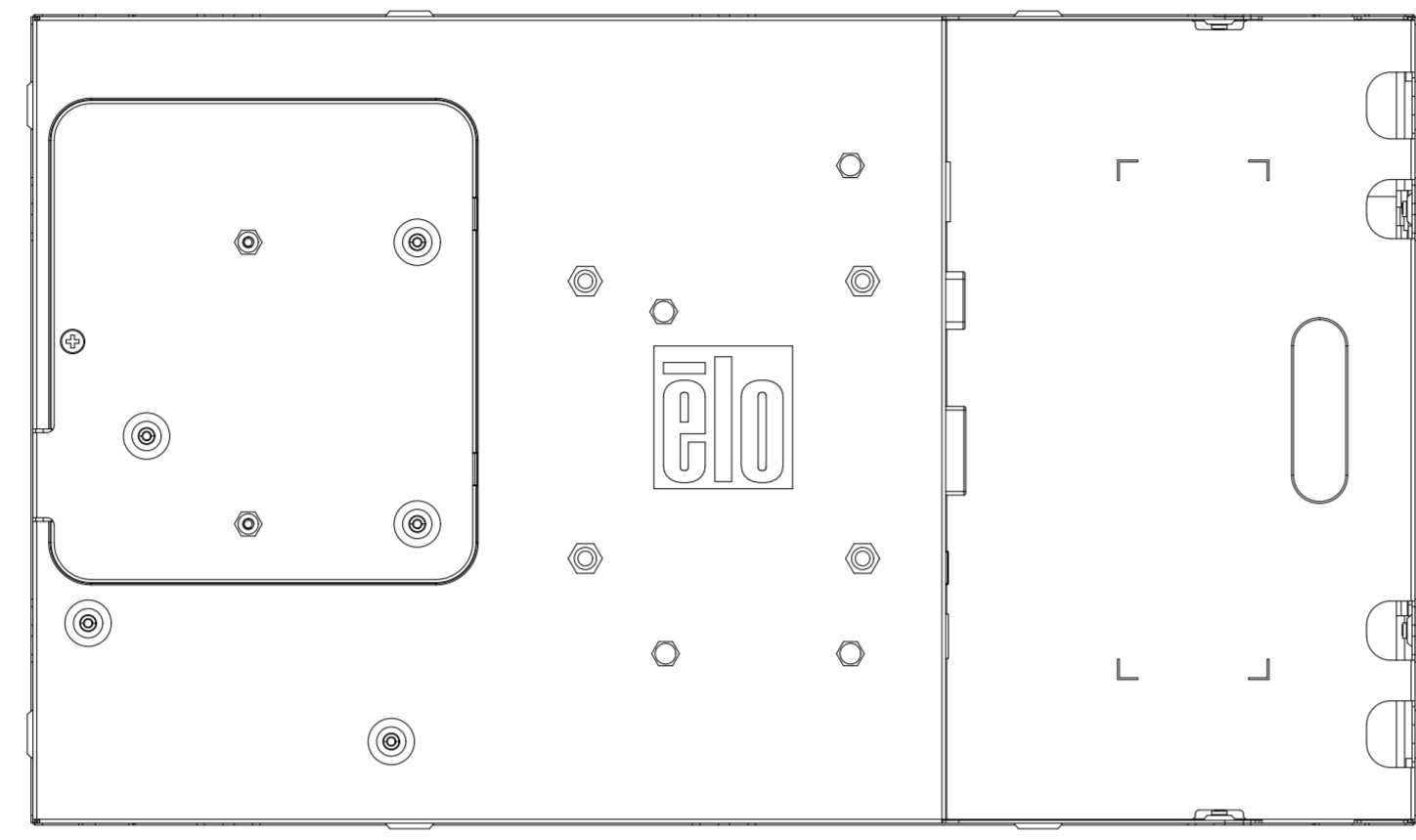
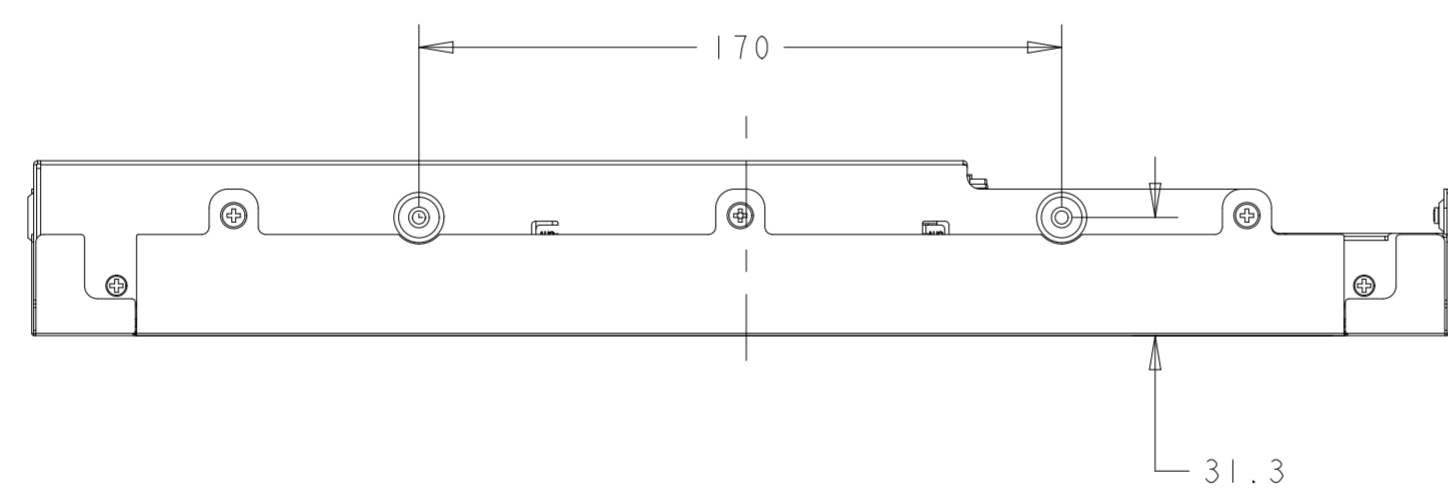


OPTIONAL OSD REMOTE
P/N E483757





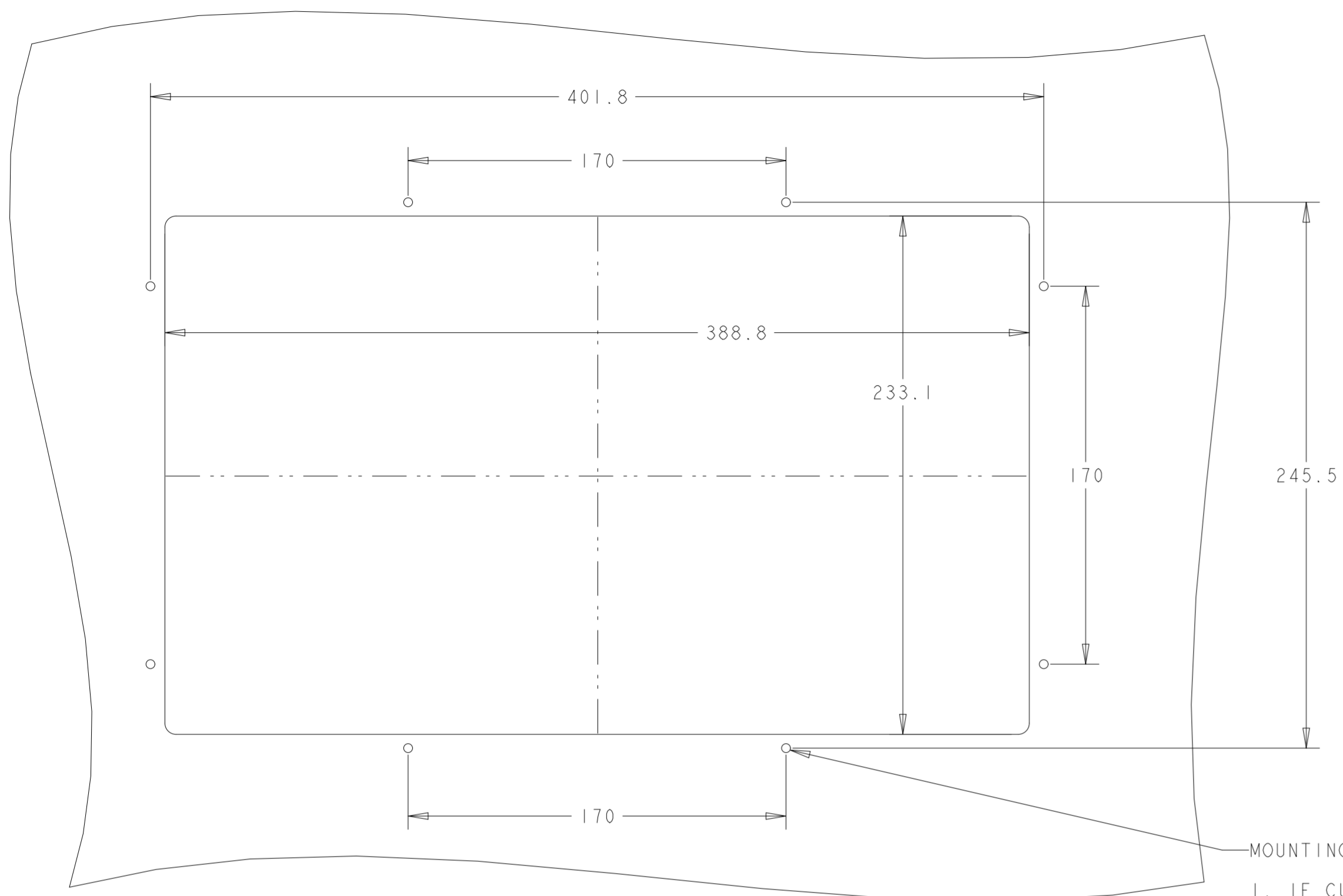
SIDE MOUNT, VERTICAL (LEFT AND RIGHT)



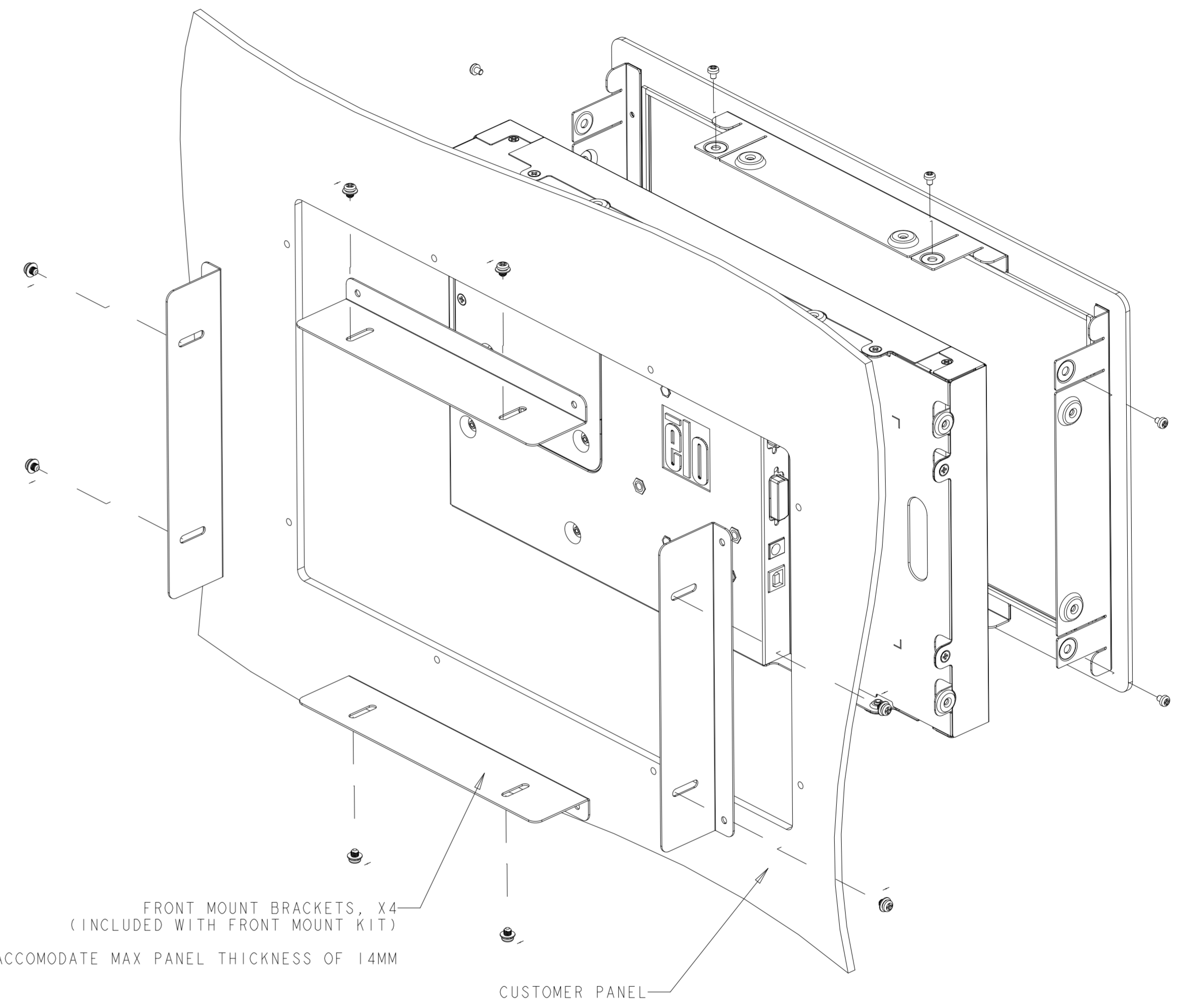
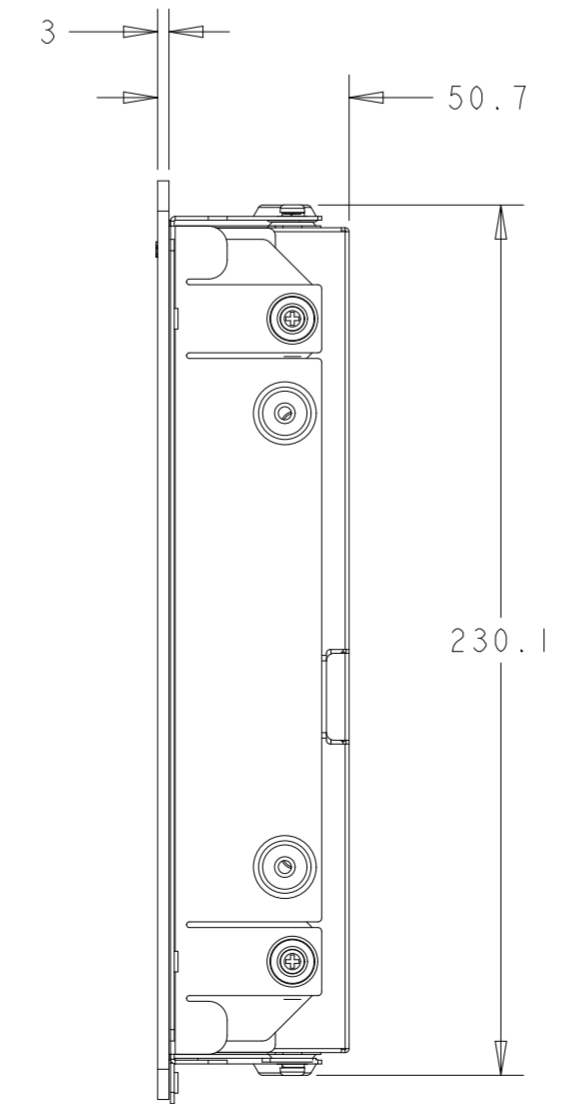
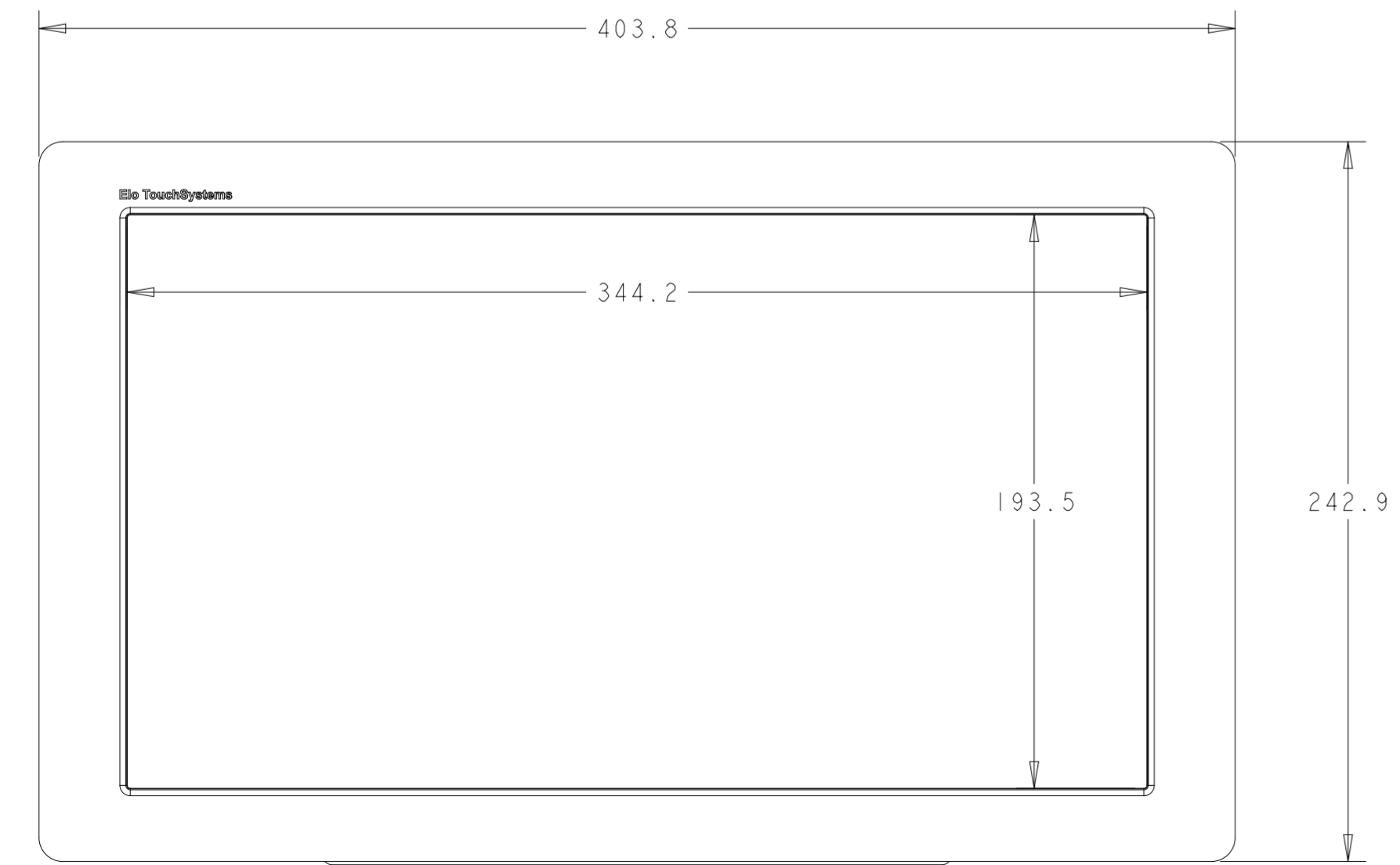
SIDE MOUNT, HORIZONTAL (TOP AND BOTTOM)

OPTIONAL FRONT MOUNT BEZEL KIT, P/N E711274
 ORDERED SEPARATELY, CUSTOMER ASSEMBLED

RECOMMENDED CUSTOMER PANEL CUTOUT

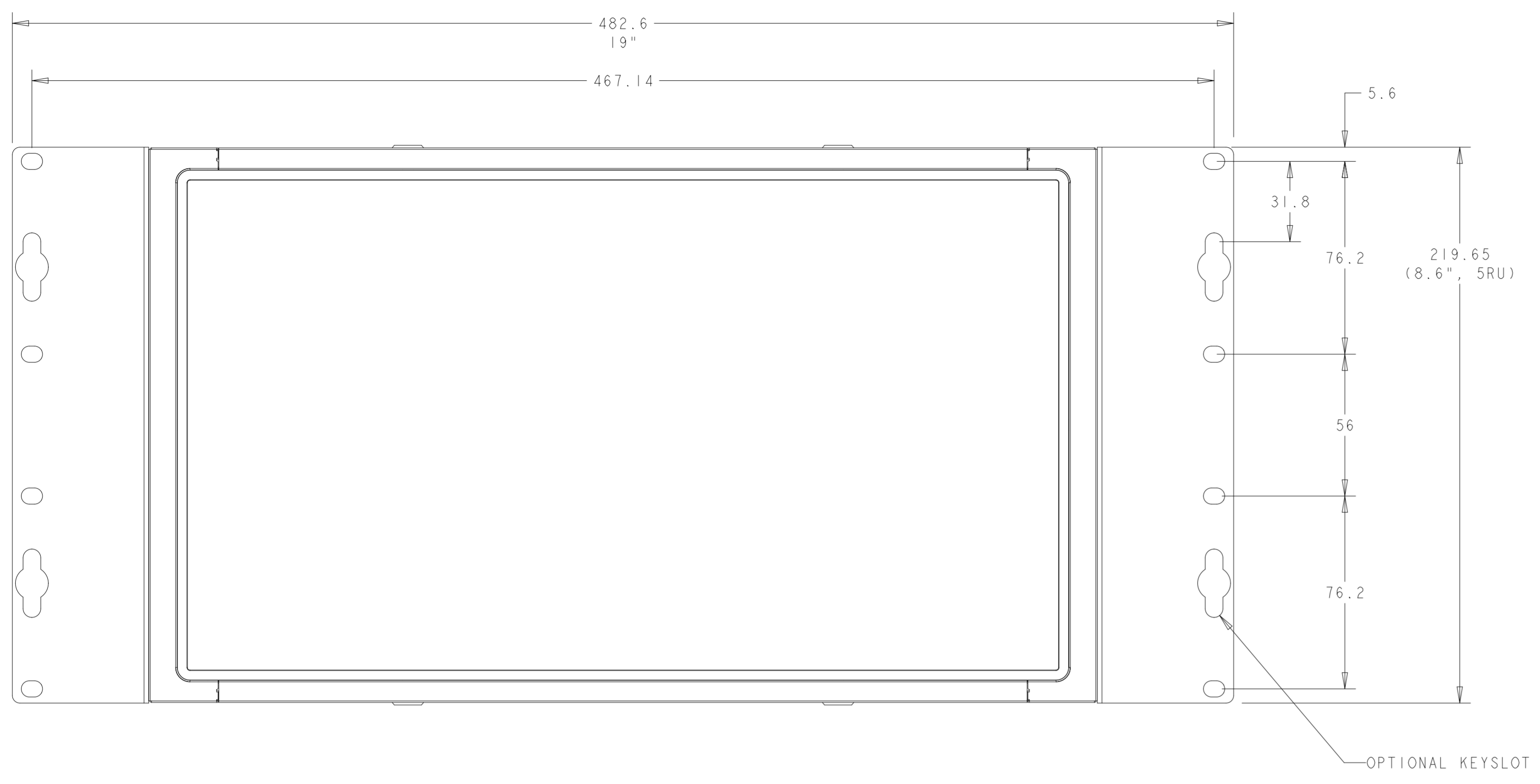


- MOUNTING HOLES, X8
1. IF CUSTOMER PANEL IS WOOD,
 Ø4.5MM THRU HOLES FOR M4 SCREWS
 OR NO THRU HOLES, SCREWS FOR WOOD Ø4MM
 2. IF CUSTOMER PANEL IS SHEET METAL,
 CONCEALED HEAD THREADED STUDS M4 WITH NUTS

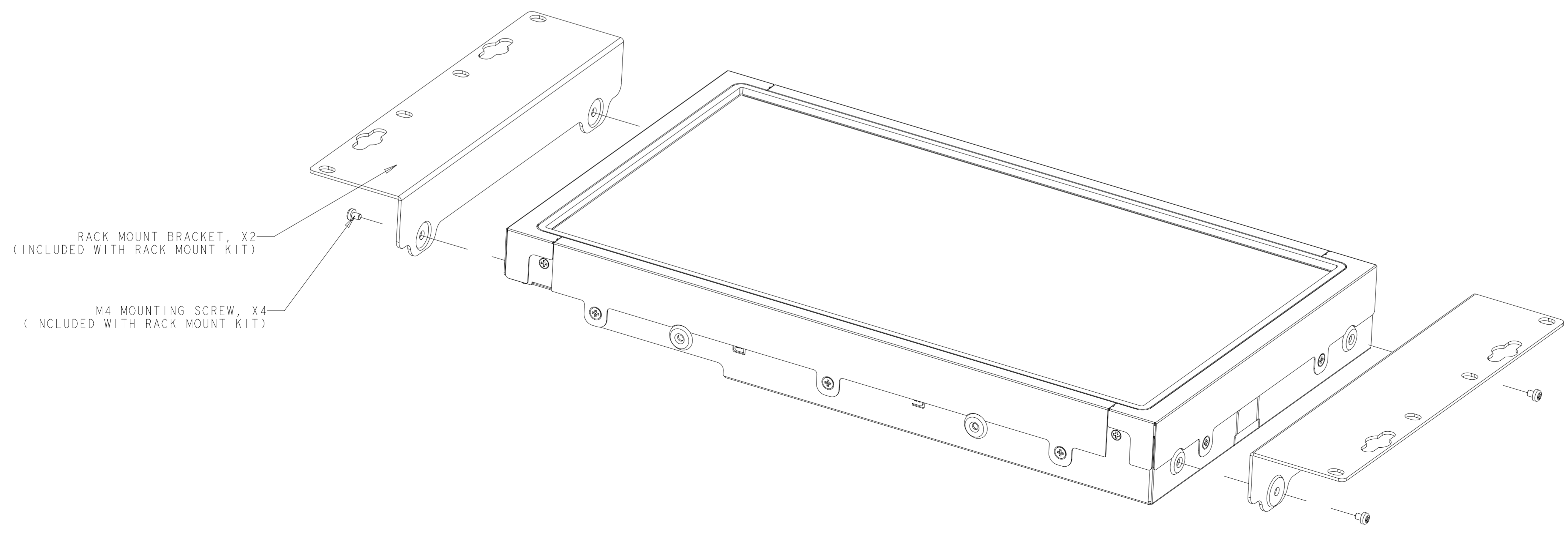


- FRONT MOUNT BRACKETS, X4
 (INCLUDED WITH FRONT MOUNT KIT)
1. BRACKETS ACCOMODATE MAX PANEL THICKNESS OF 14MM

OPTIONAL RACK MOUNT BEZEL KIT, P/N E921202
 ORDERED SEPARATELY, CUSTOMER ASSEMBLED



1. MONITOR IS ORIENTED IN LANDSCAPE MODE
2. REQUIRES 5U AVAILABLE RACK SPACE
3. MOUNTING HOLE SPACING PER EIA-310-D
4. ADDITIONAL MOUNTING SCREWS (NOT INCLUDED) REQUIRED TO FASTEN MONITOR INTO CUSTOMER RACK



RACK MOUNT BRACKET, X2
 (INCLUDED WITH RACK MOUNT KIT)

M4 MOUNTING SCREW, X4
 (INCLUDED WITH RACK MOUNT KIT)

OPTIONAL KEYSLOT MOUNTING, X4