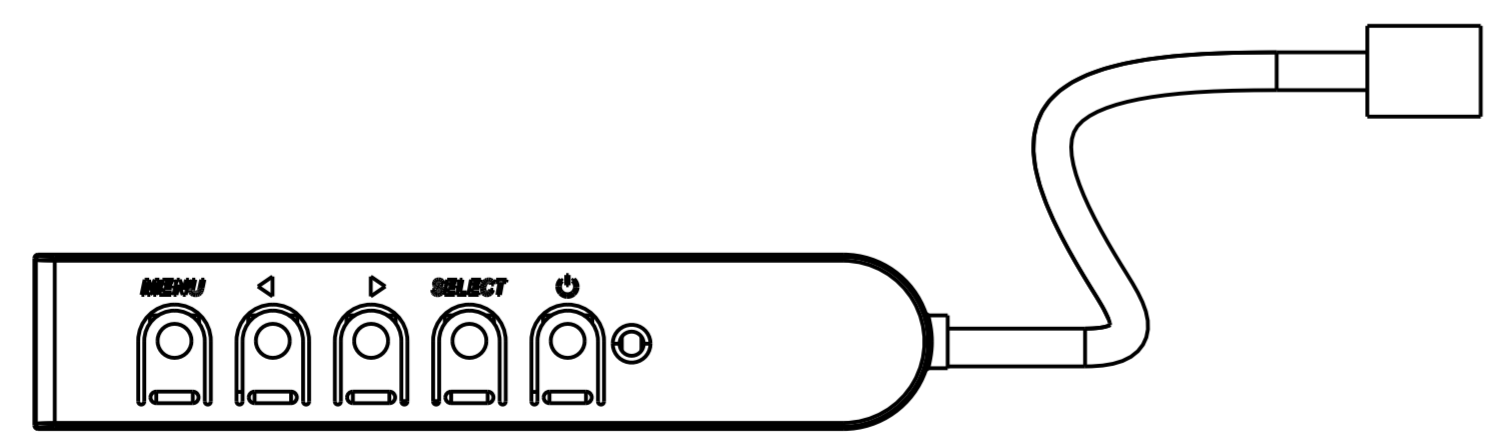
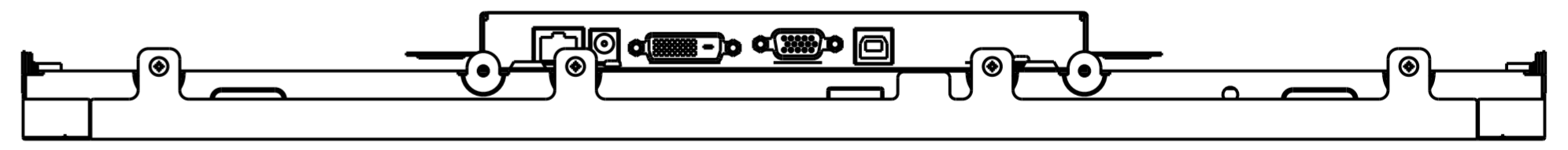
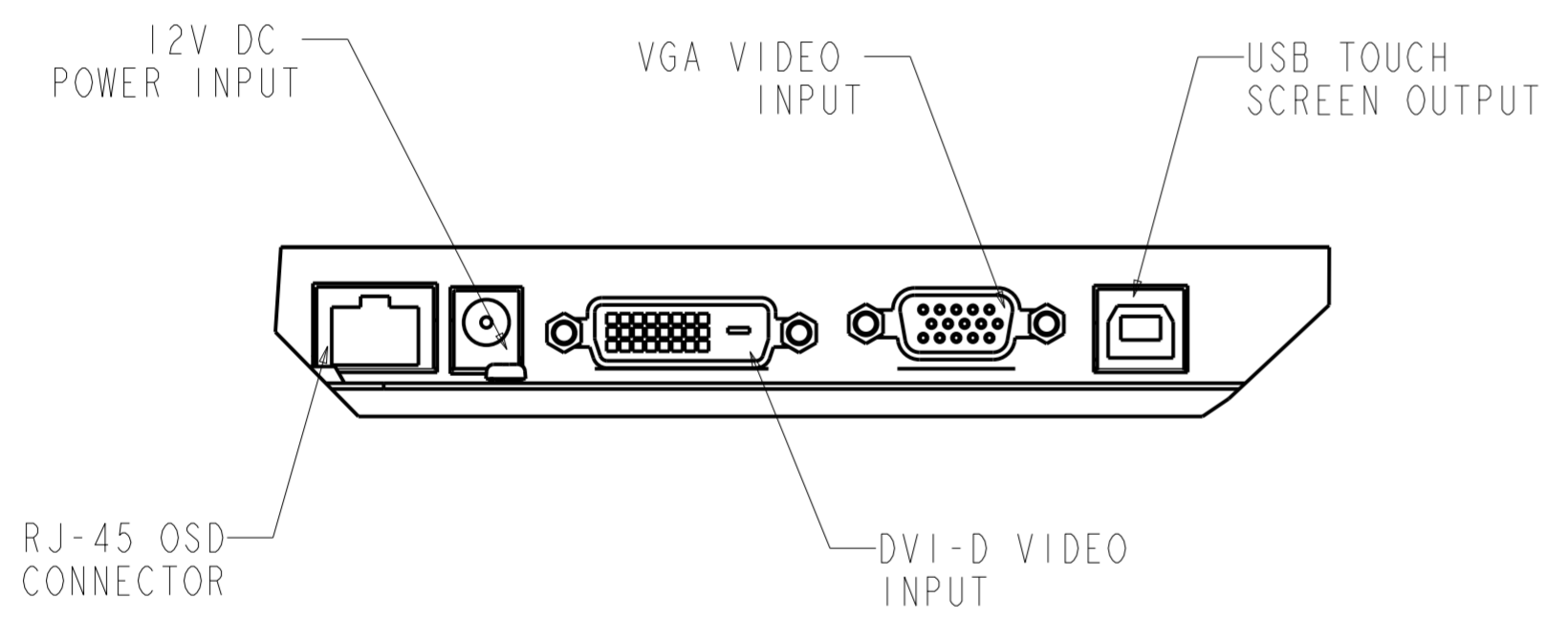
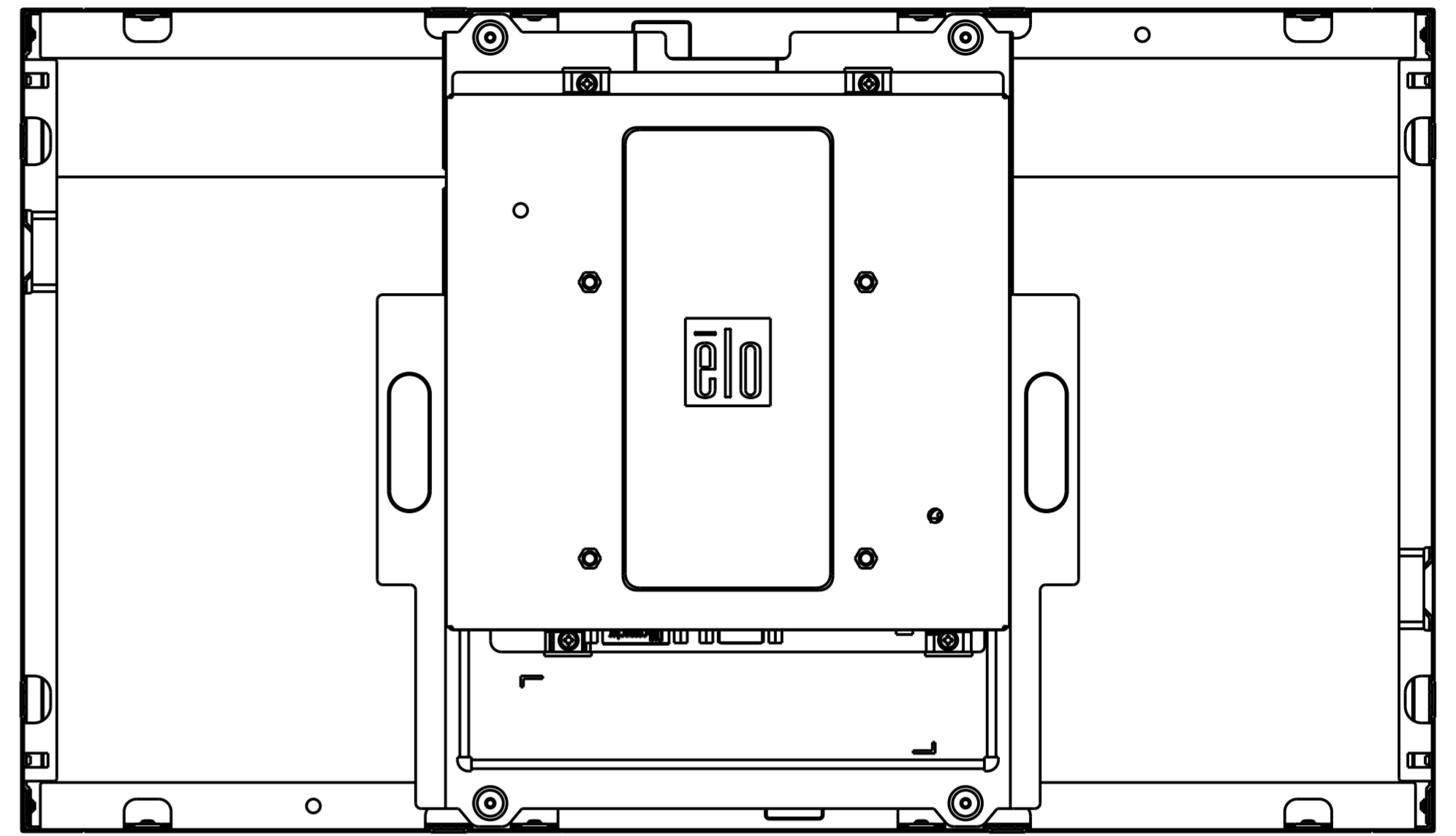
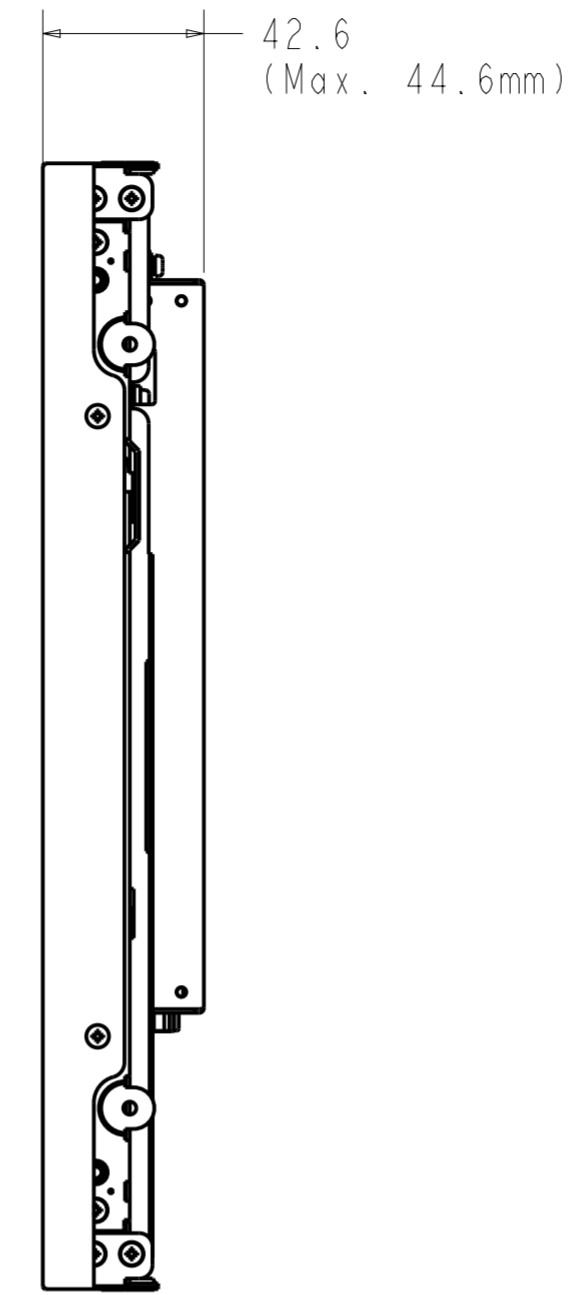
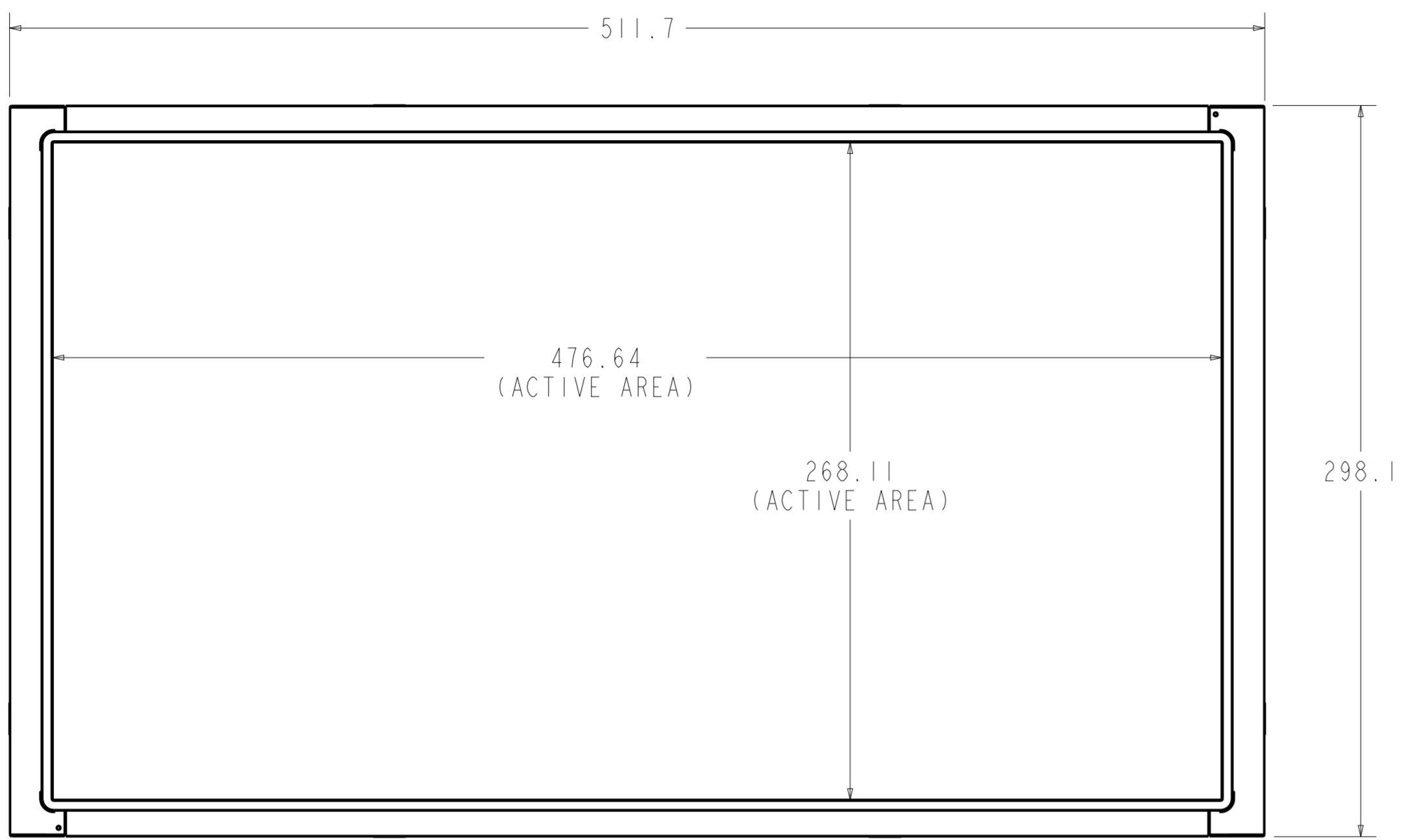


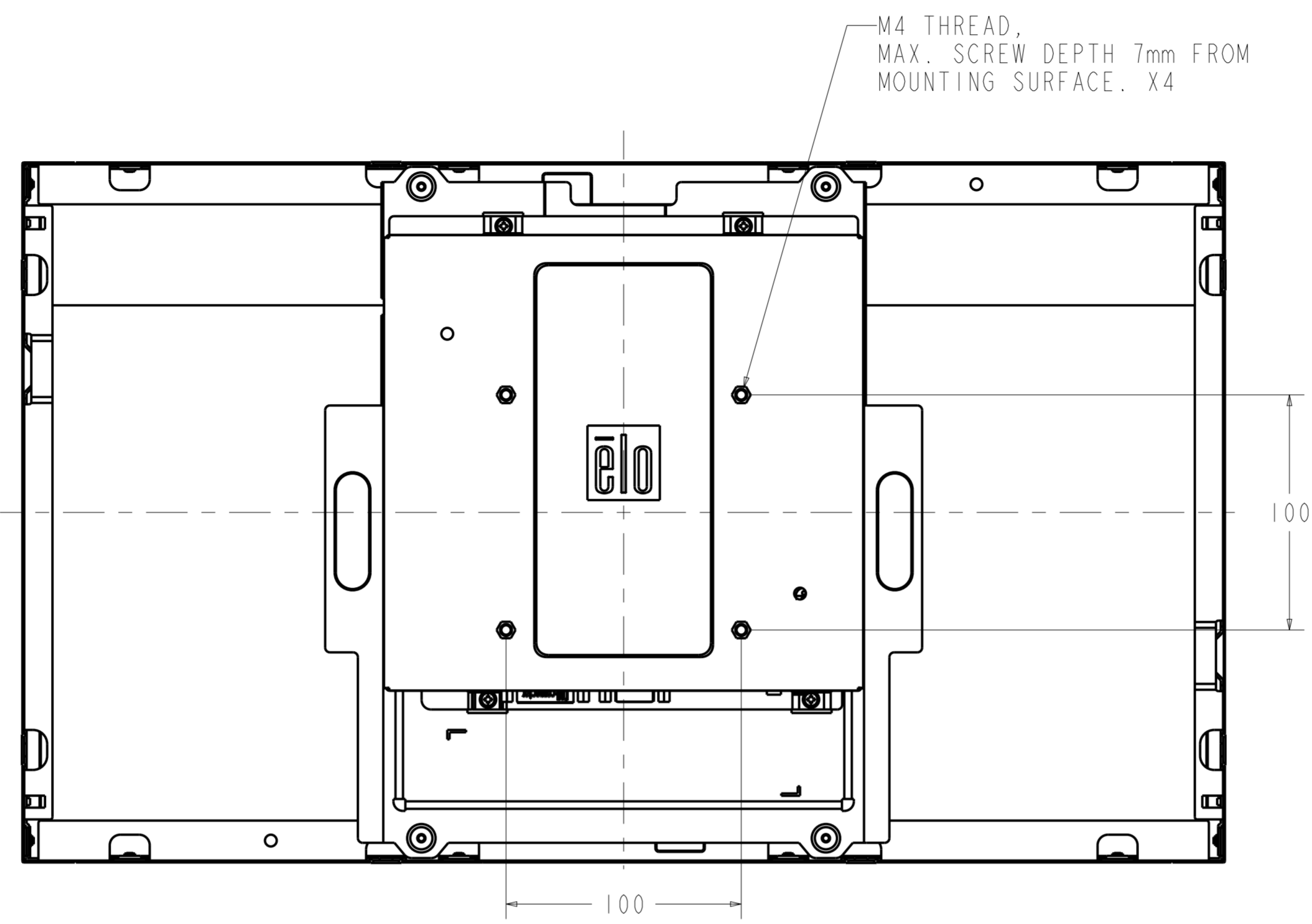
NOTE:  
ALL DIMS. +/- 1mm UNLESS NOTED

INTELLITOUCH / SECURE TOUCH MODELS ONLY

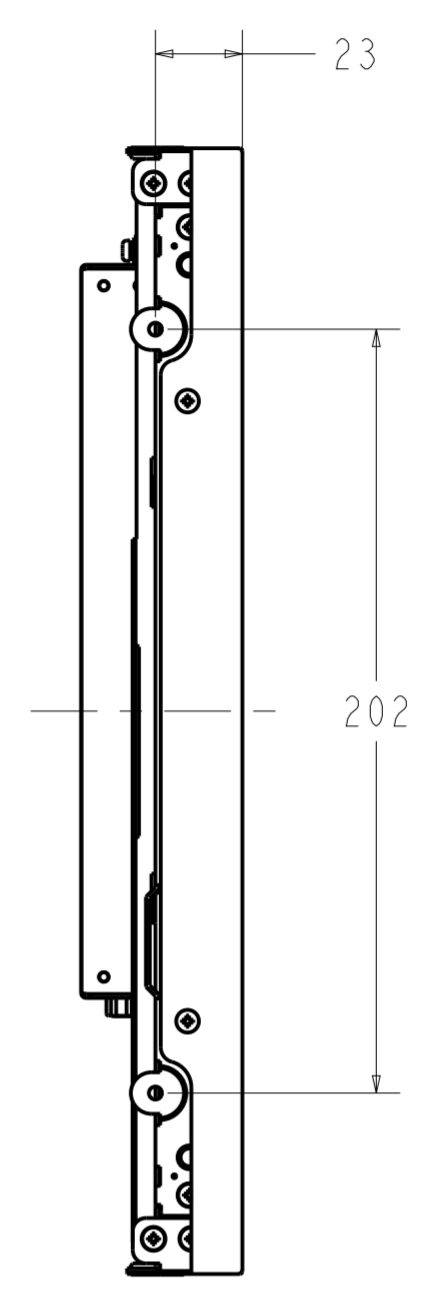


OPTIONAL OSD REMOTE P/N E483757  
(INCLUDED IN ACCESSORIES)

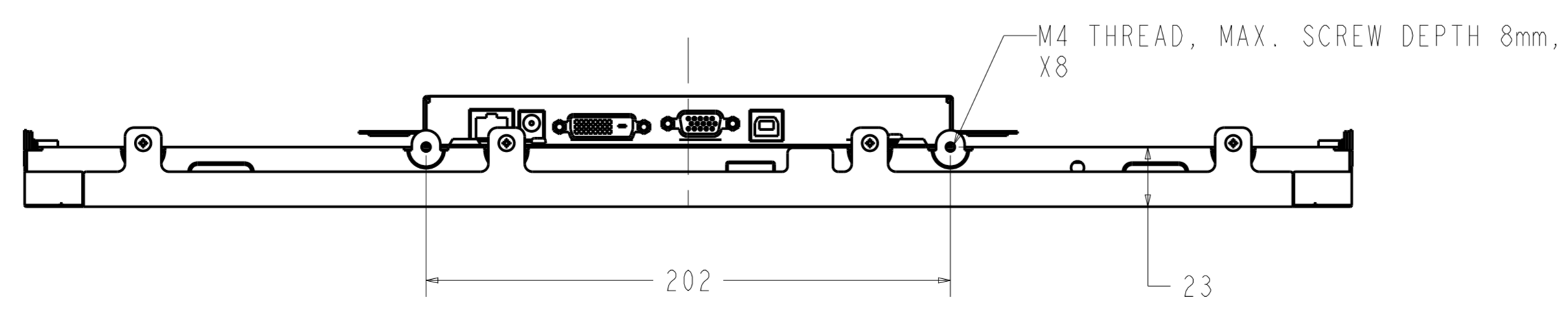
INTELLITOUCH / SECURE TOUCH MODELS ONLY



VESA MOUNT



SIDE MOUNT, VERTICAL (LEFT & RIGHT)

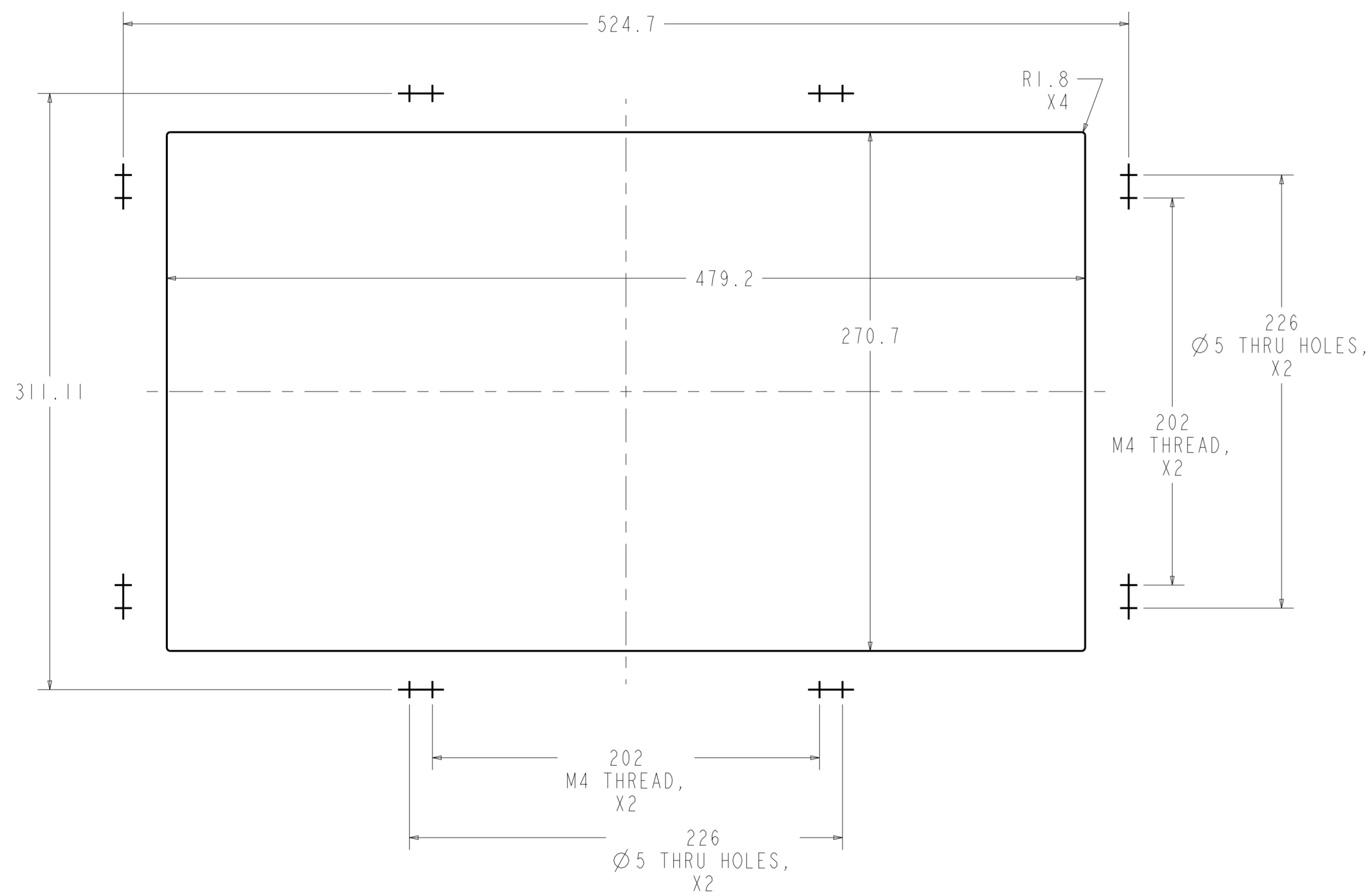


SIDE MOUNT, HORIZONTAL (TOP & BOTTOM)

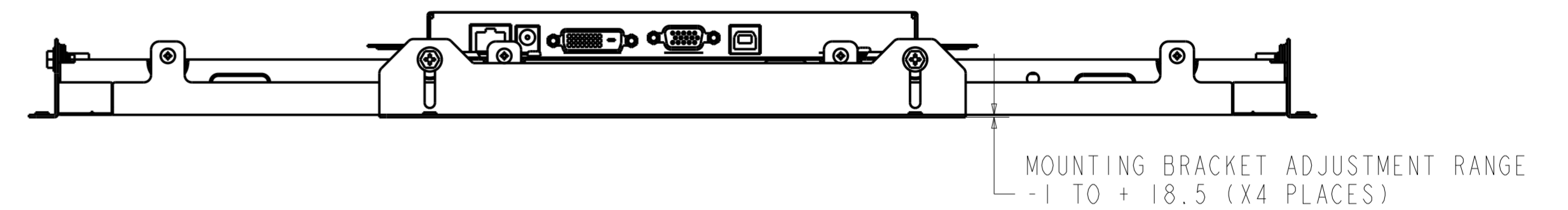
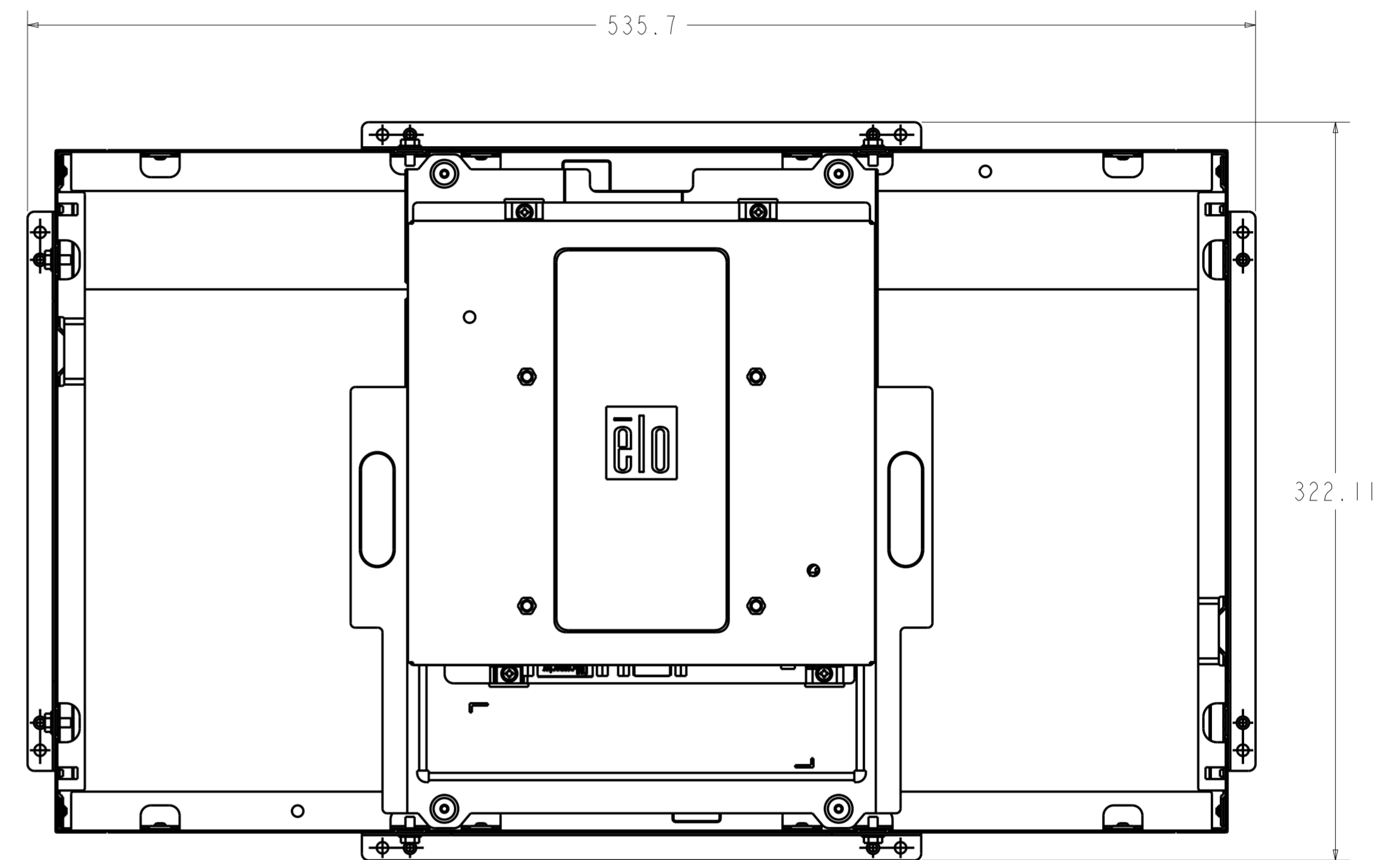
<b>elo</b>
MS601132
DATE: 10/17/14
REV: H

INTELLITOUCH / SECURE TOUCH MODELS ONLY

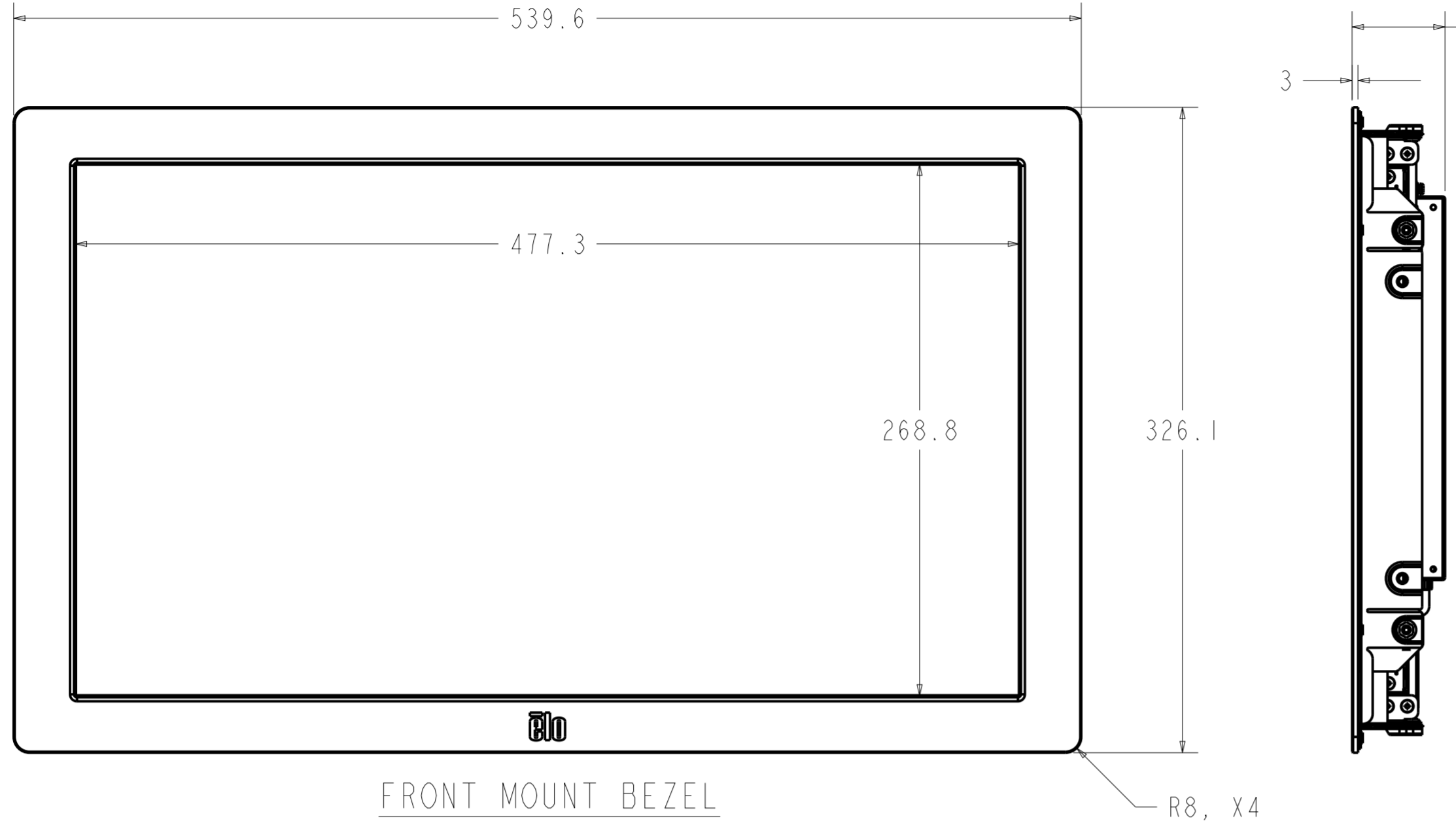
MOUNTING WITH ADJUSTABLE BRACKETS  
(4 PROVIDED)



RECOMMENDED CUSTOMER  
PANEL CUT-OUT

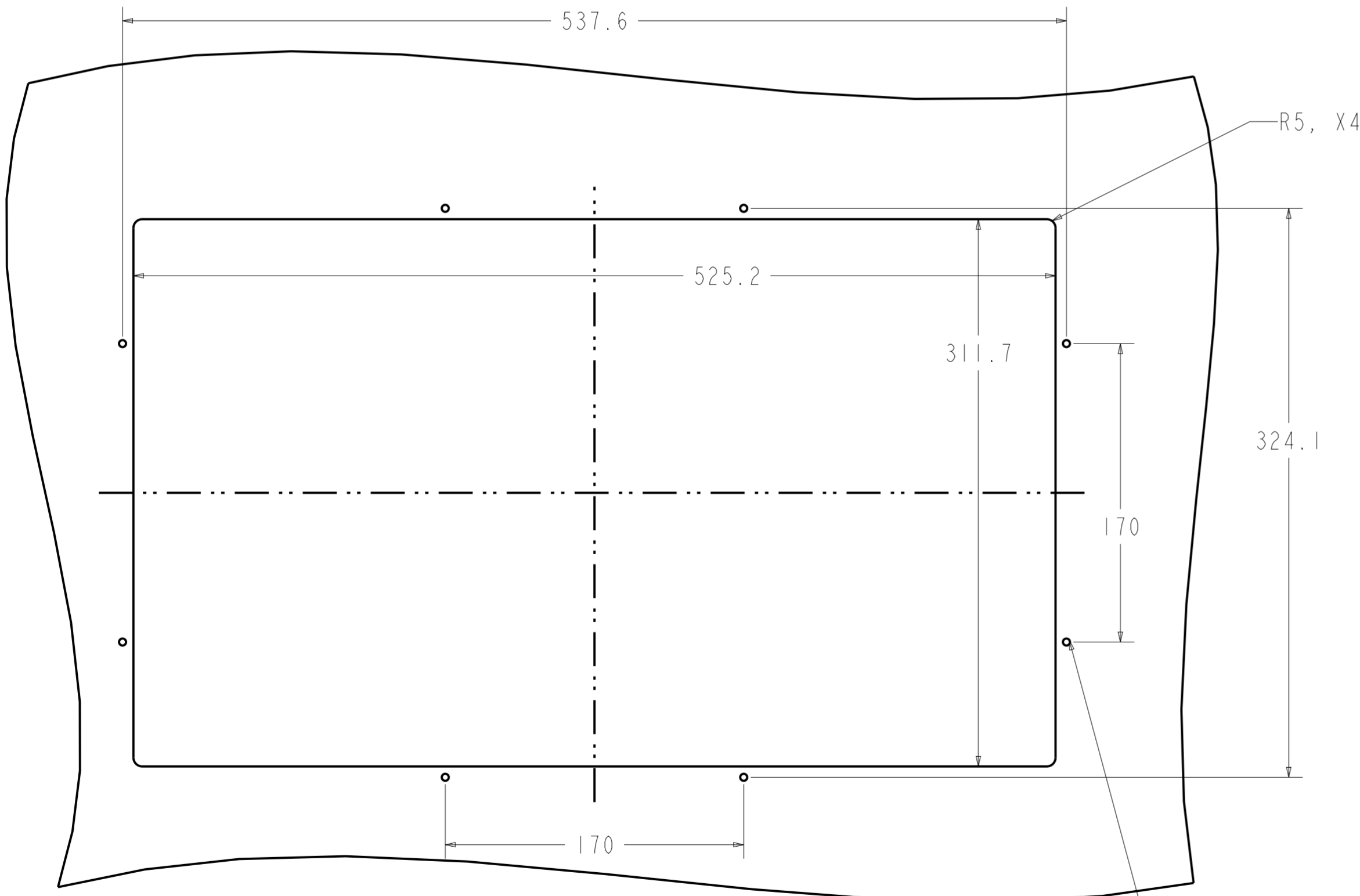


INTELLITOUCH / SECURE TOUCH MODELS ONLY



FRONT MOUNT BEZEL

OPTIONAL FRONT MOUNT BEZEL KIT P/N E668194  
(ORDERED SEPARATELY, CUSTOMER ASSEMBLED)

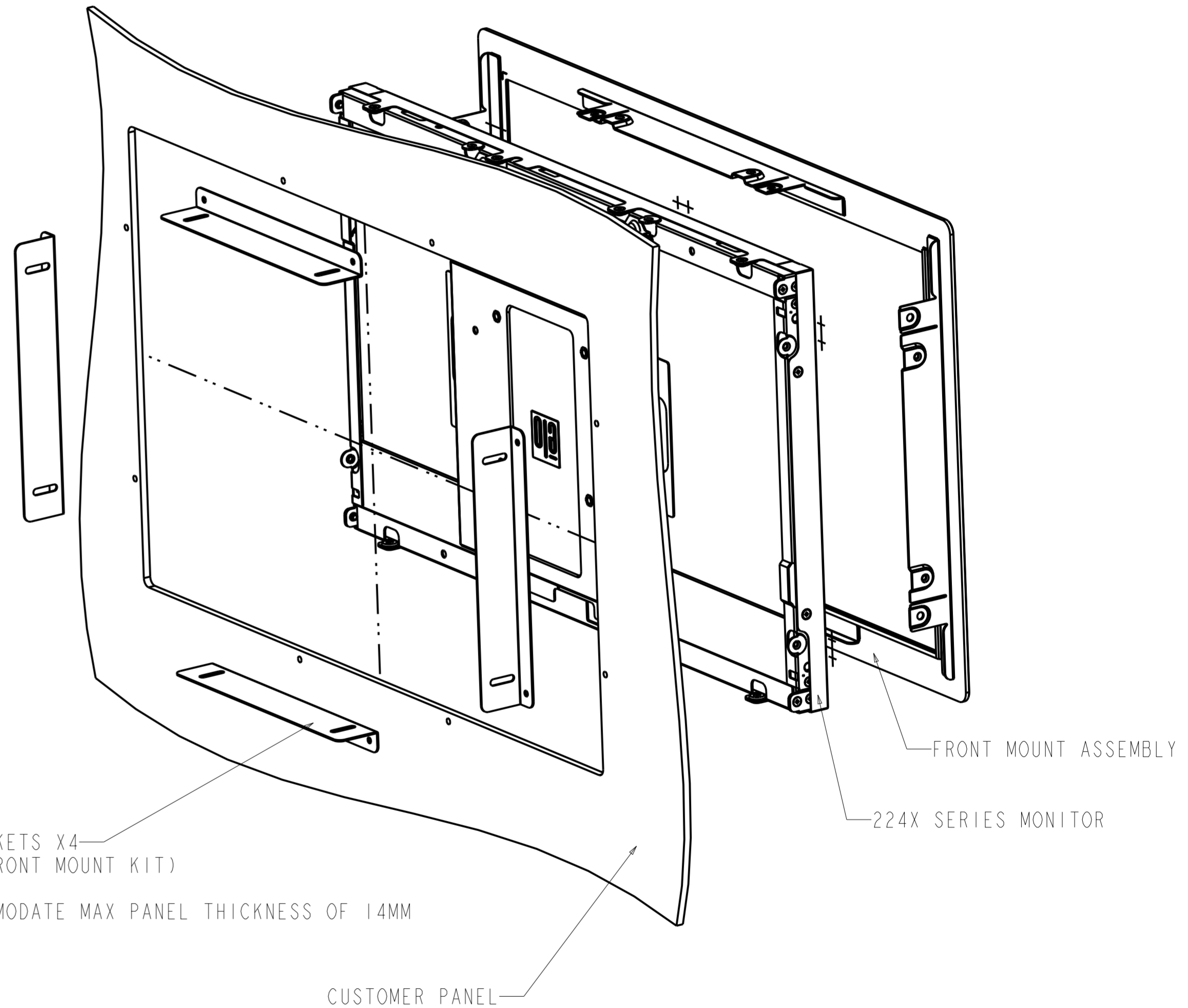


RECOMMENDED CUSTOMER  
PANEL CUT-OUT

MOUNTING HOLES, X8

1. IF CUSTOMER PANEL IS WOOD,  
Ø 4.5MM THRU HOLES FOR M4 SCREWS  
OR NO THRU HOLES, SCREWS FOR WOOD Ø 4MM

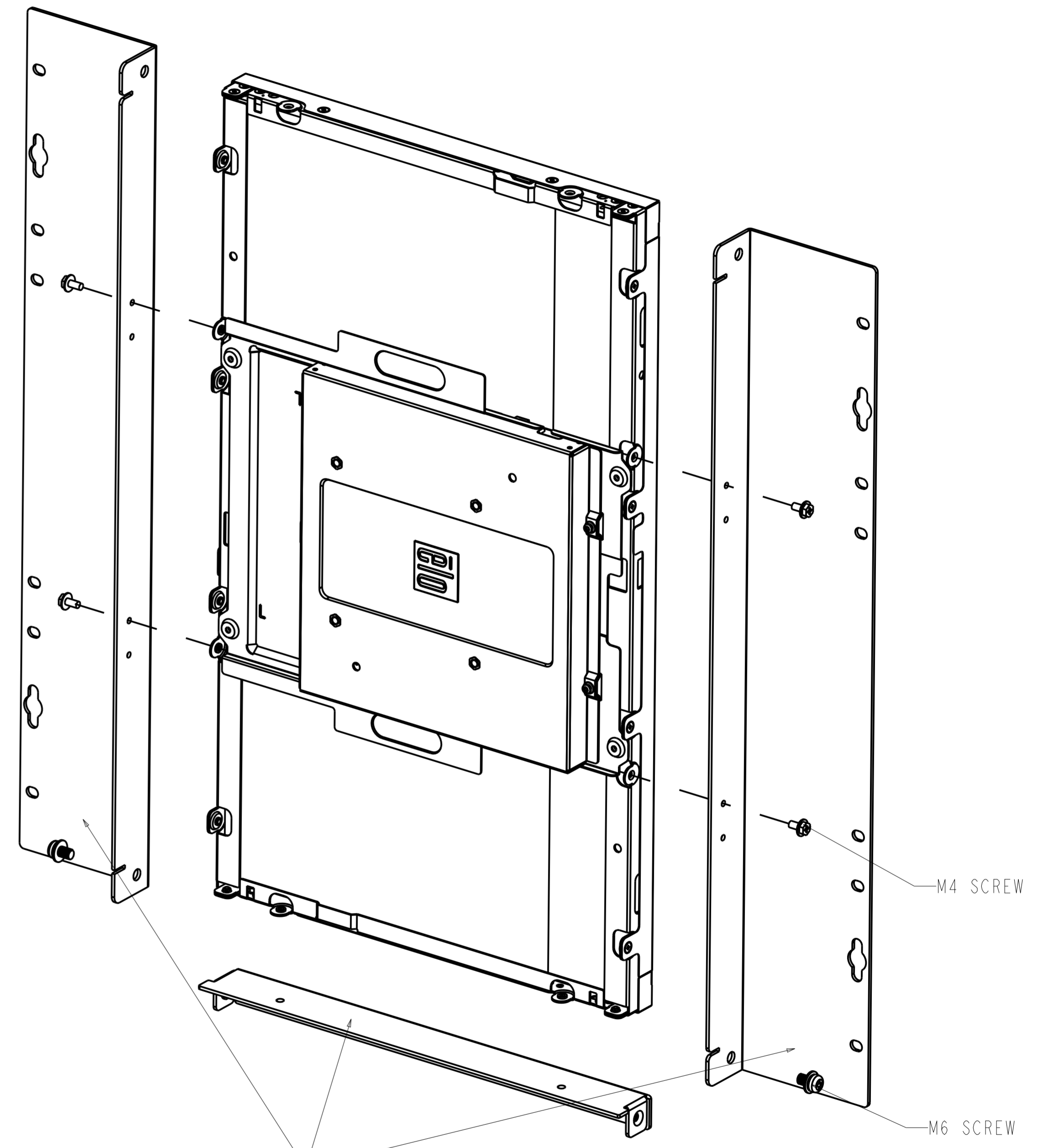
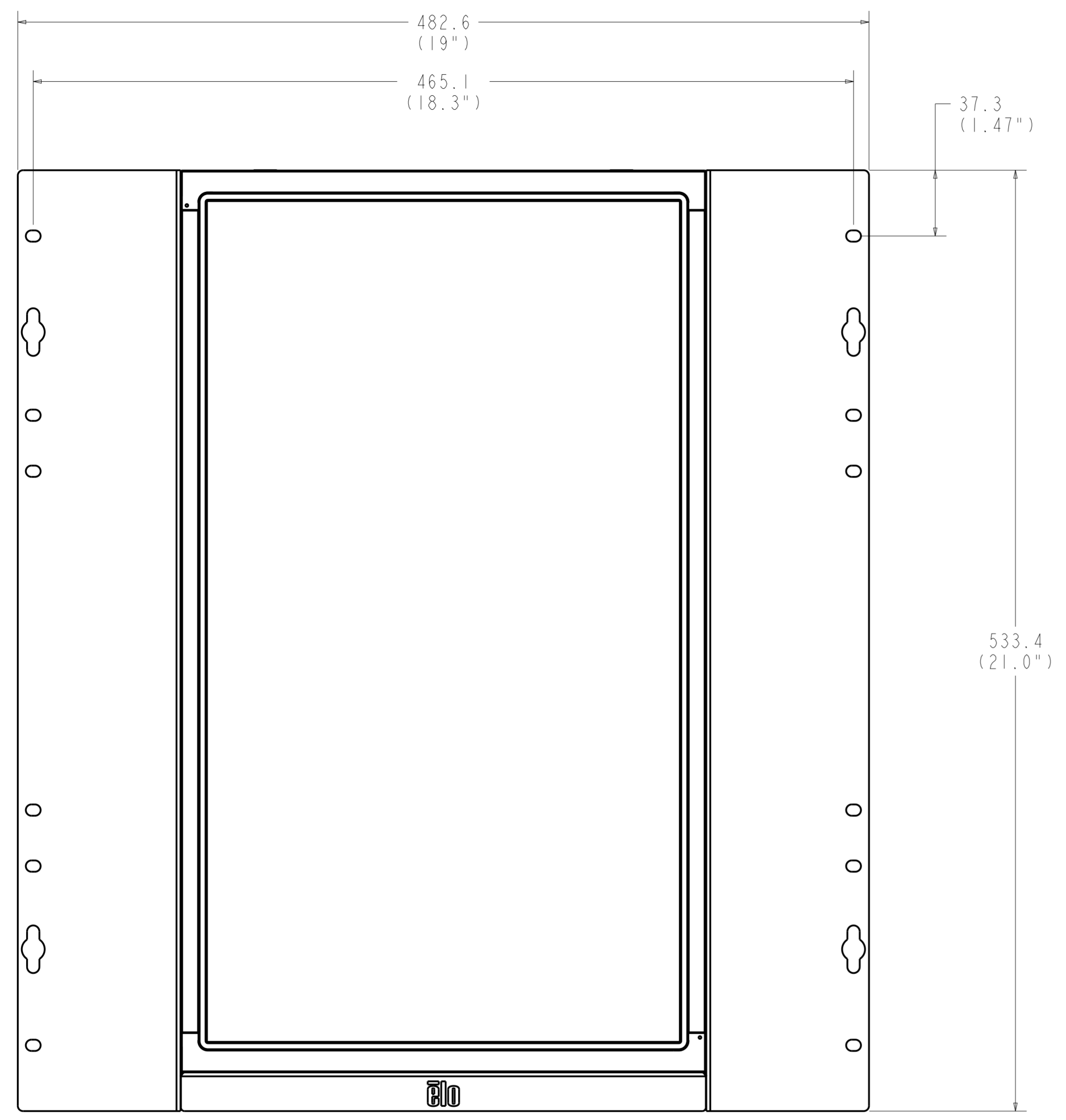
2. IF CUSTOMER PANEL IS SHEET METAL,  
CONCEALED HEAD THREADED STUDS M4 WITH NUTS



DIMENSIONAL DRAWING: 2243L / 2244L

INTELLITOUCH / SECURETOUCH MODELS ONLY

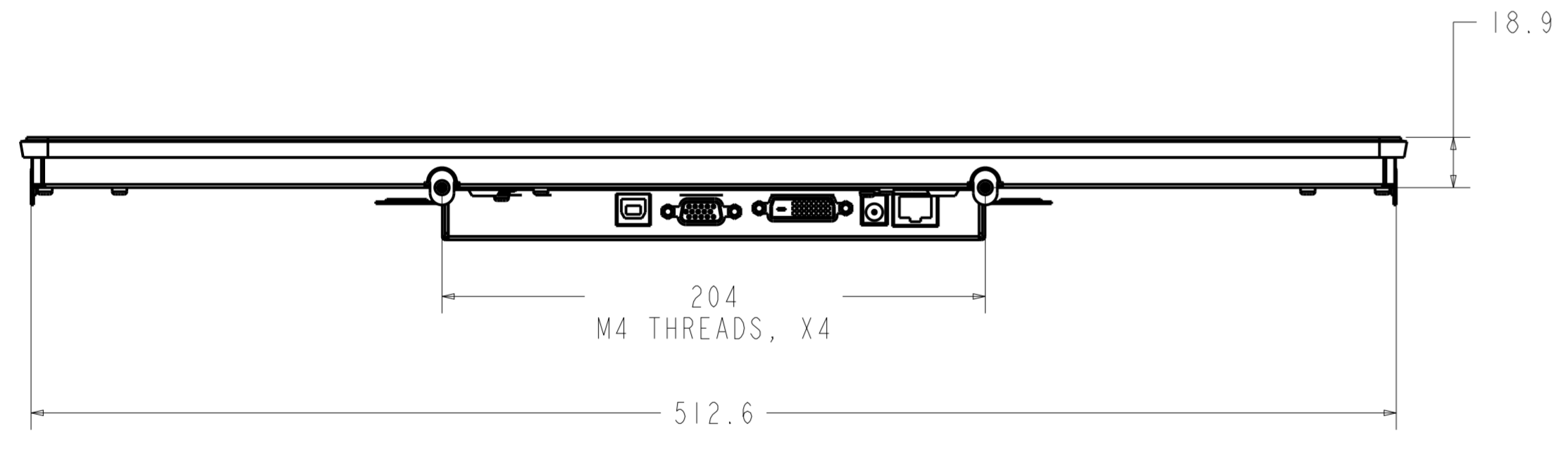
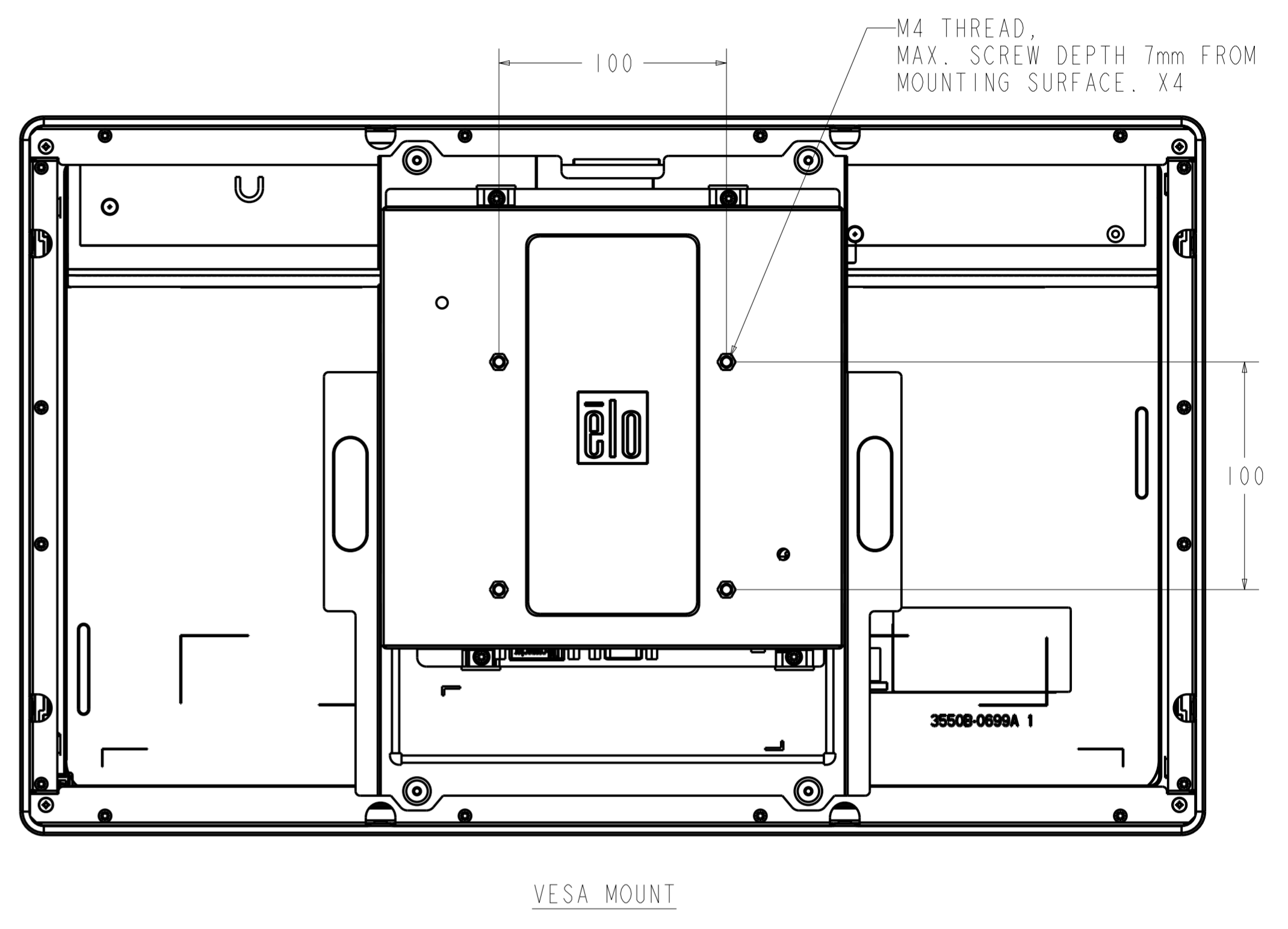
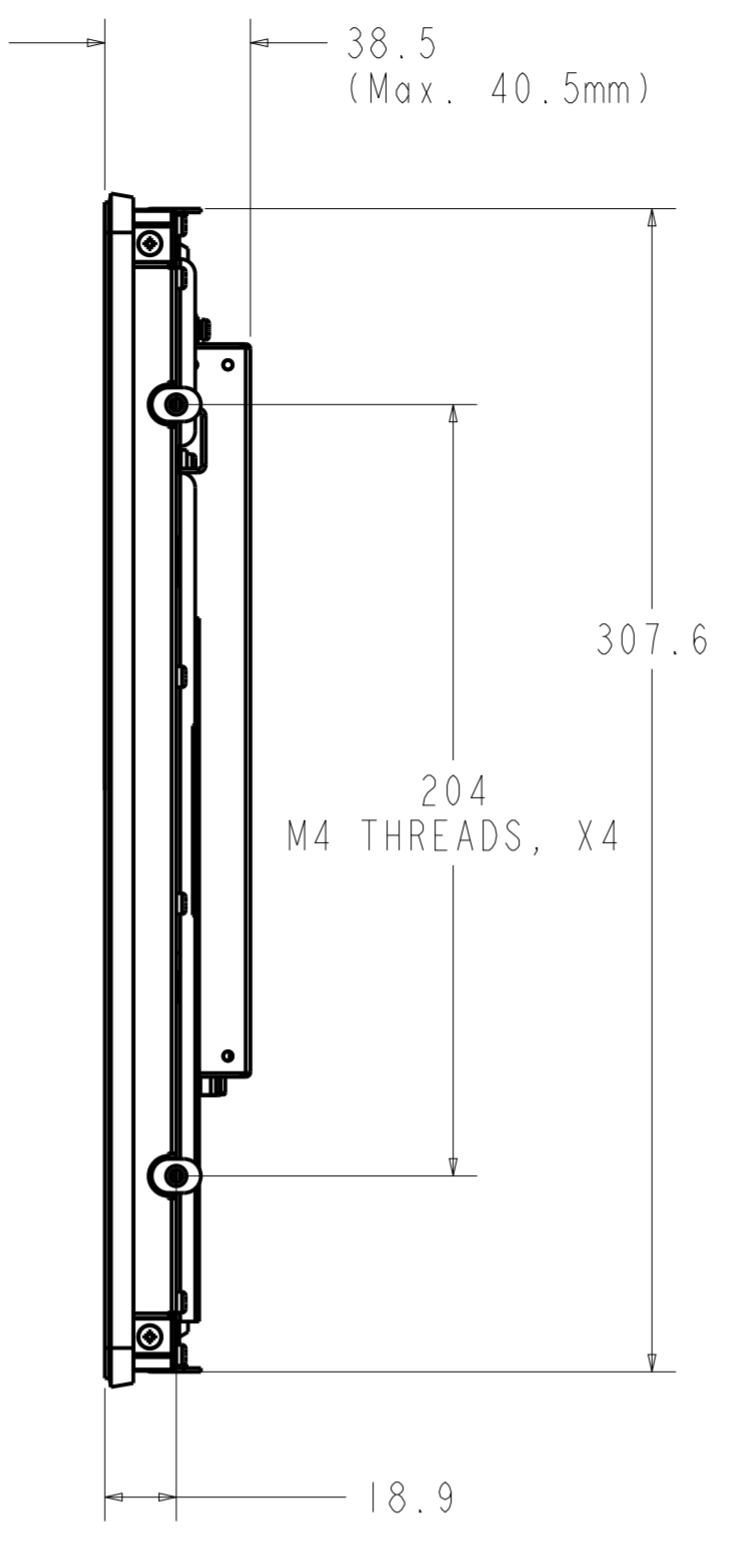
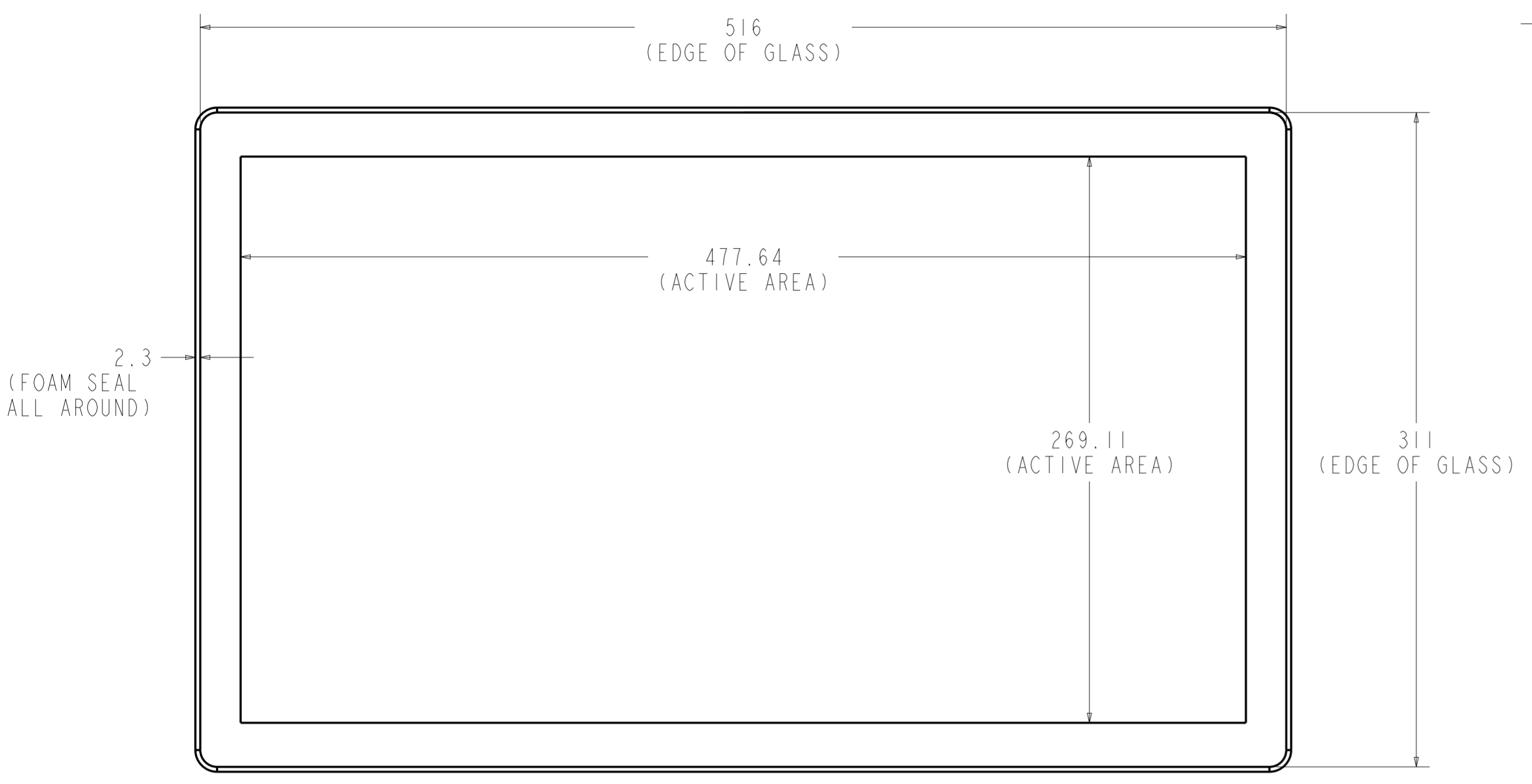
OPTIONAL RACK MOUNT KIT P/N E462672  
(ORDERED SEPARATELY, CUSTOMER ASSEMBLED)



NOTE:  
1. MONITOR IS ORIENTED IN PORTRAIT MODE  
2. REQUIRES 12U OF RACK SPACE  
3. MOUNTING HOLES SPACING PER EIA-310-D

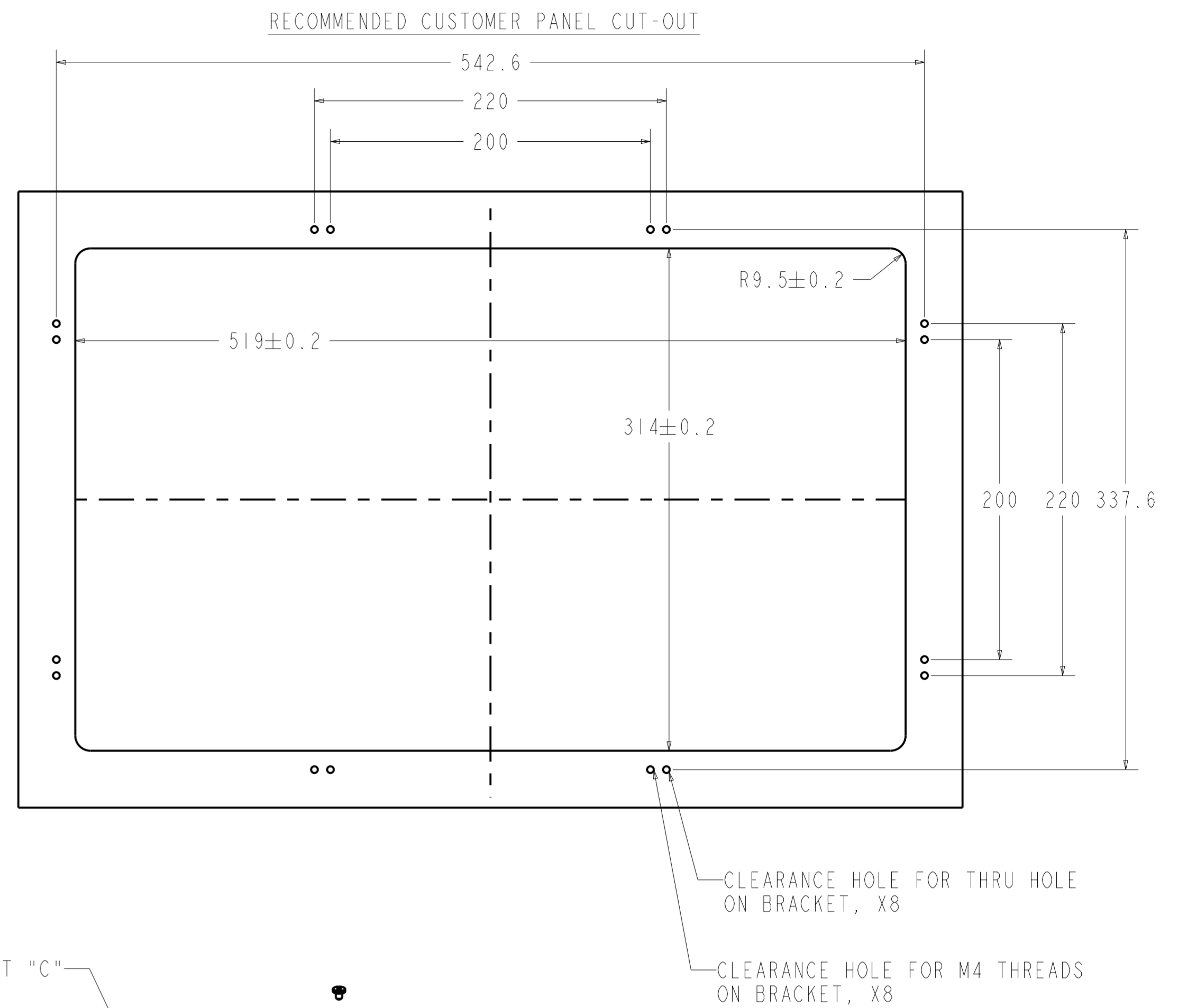
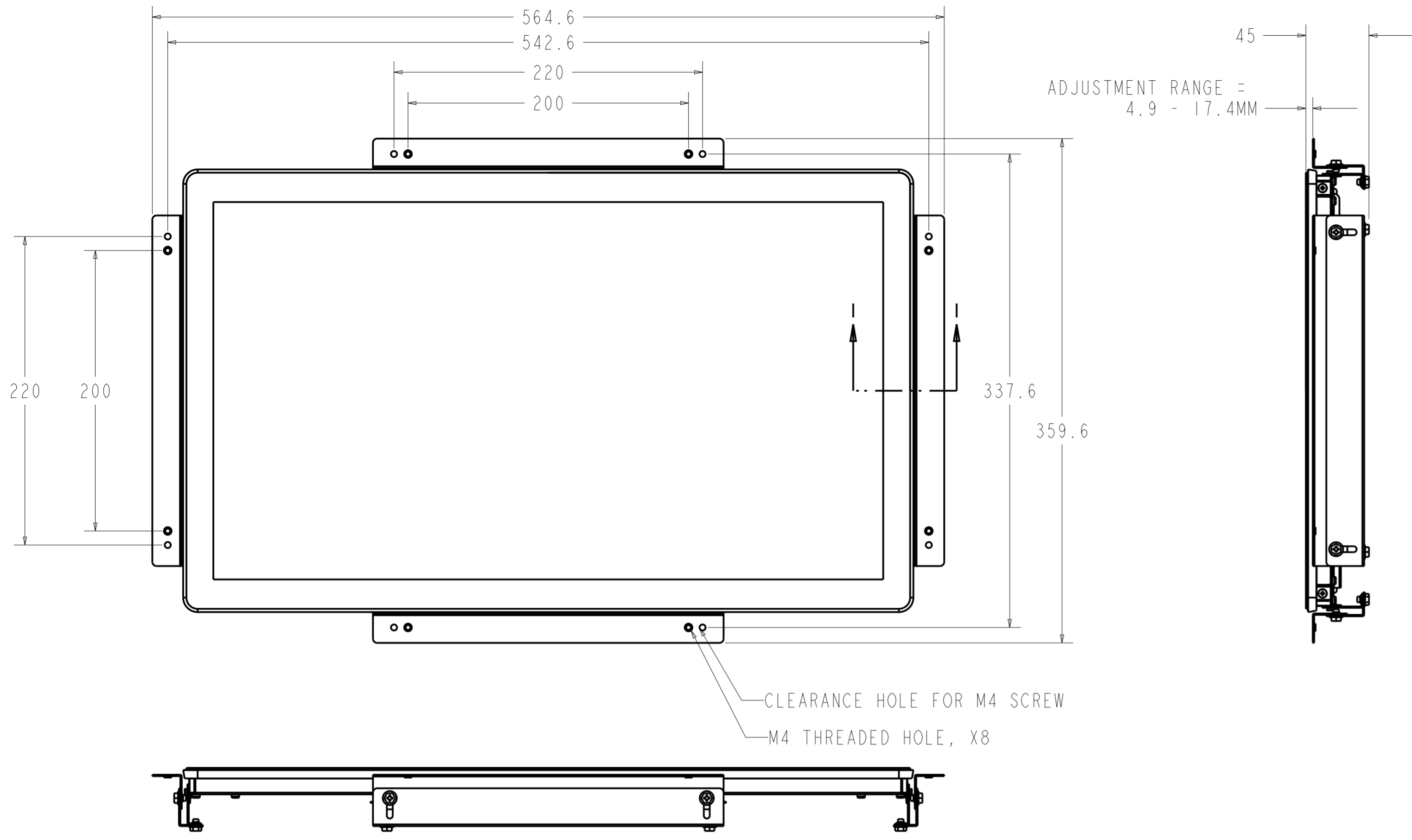
1. INSTALL BOTTOM BRACKET FIRST USING 2xM4 SCREWS (INCLUDED)
2. INSTALL SIDE BRACKETS USING M4 AND M6 SCREWS (INCLUDED)

PROJECTED CAPACITIVE MODELS ONLY

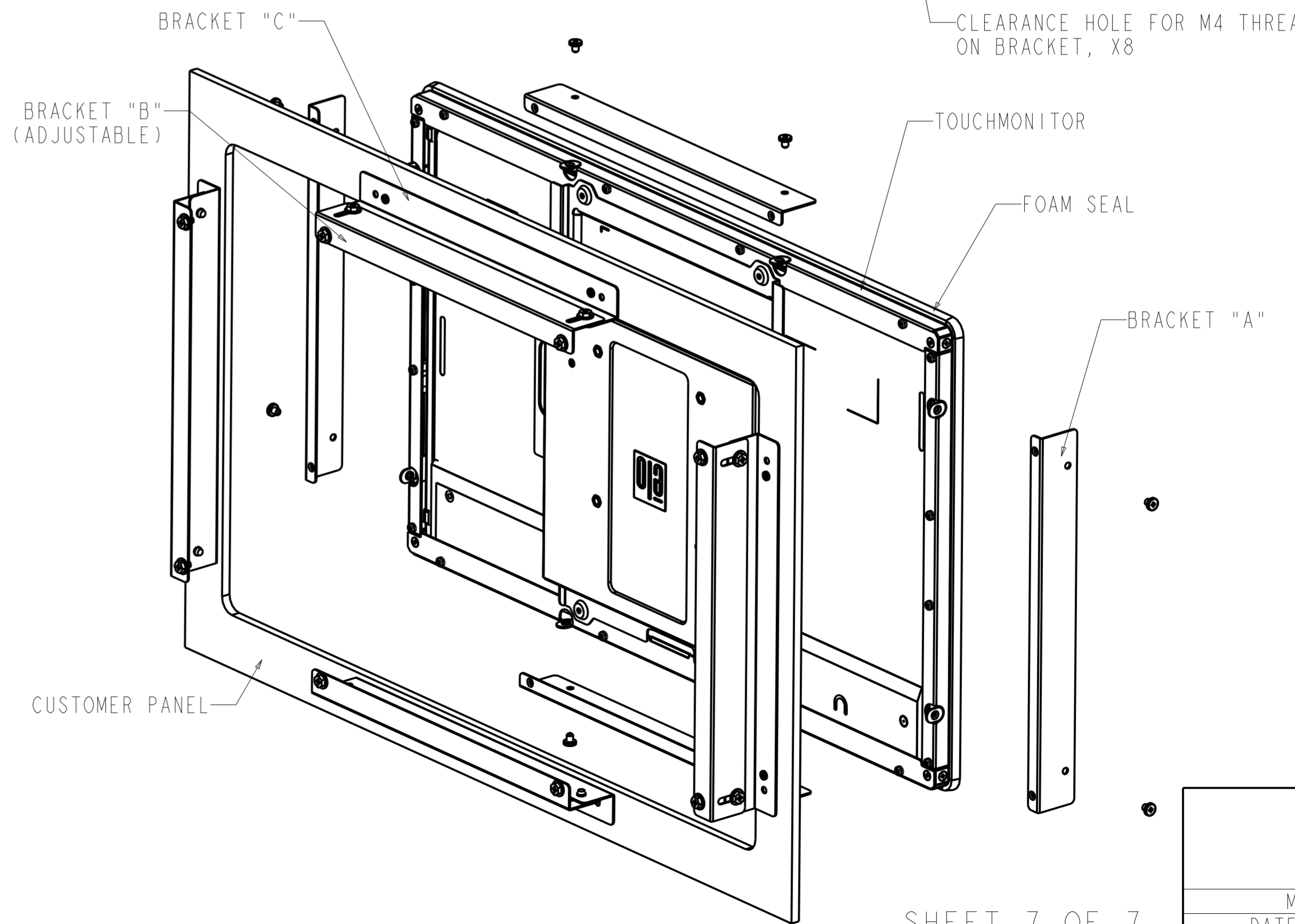
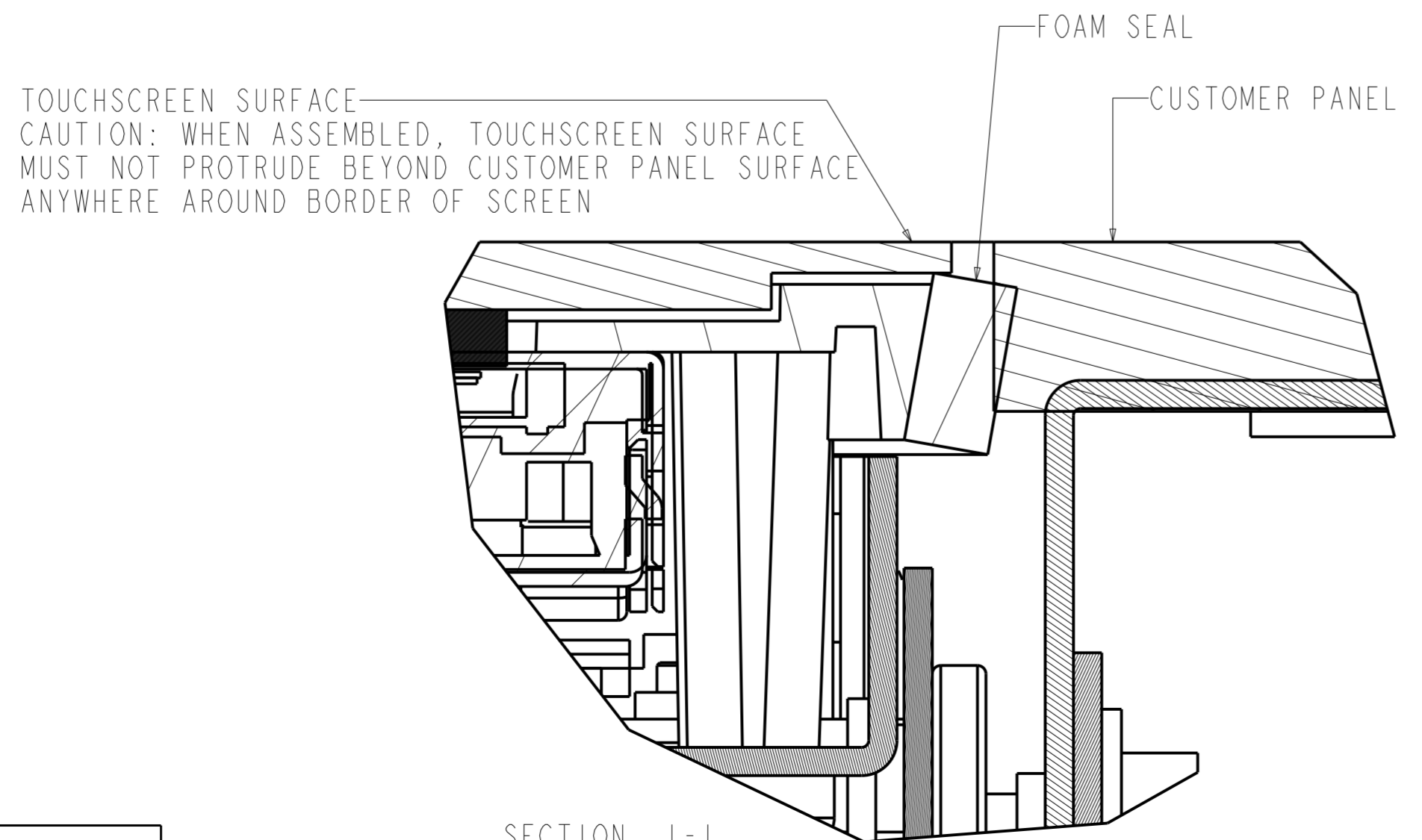


DIMENSIONAL DRAWING: 2243L / 2244L

PROJECTED CAPACITIVE MODELS ONLY



- INSTALLATION NOTES:
1. ATTACH BRACKET "A" TO TOUCHMONITOR WITH M4 LOW PROFILE SCREWS (INCLUDED)
  2. ATTACH BRACKET "C" TO CUSTOMER PANEL PER DRAWING
  3. ATTACH BRACKET "B" TO BRACKET "C" WITH M4 HEX HEAD SCREWS (INCLUDED)
  4. ADJUST DEPTH OF BRACKET "B" SO MONITOR IS FLUSH WITH CUSTOMER PANEL.
  5. PLACE TOUCHMONITOR INTO CUSTOMER PANEL OPENING TAKING CARE NOT TO DAMAGE FOAM SEAL
  6. SECURE TOUCHMONITOR TO BRACKET "B" FROM BEHIND WITH M4 HEX HEAD SCREWS (INCLUDED)



DIMENSIONS ARE IN MILLIMETERS

SECTION 1-1  
SCALE 5.000

SHEET 7 OF 7

**elo**  
MS601132  
DATE: 10/17/14  
REV: H