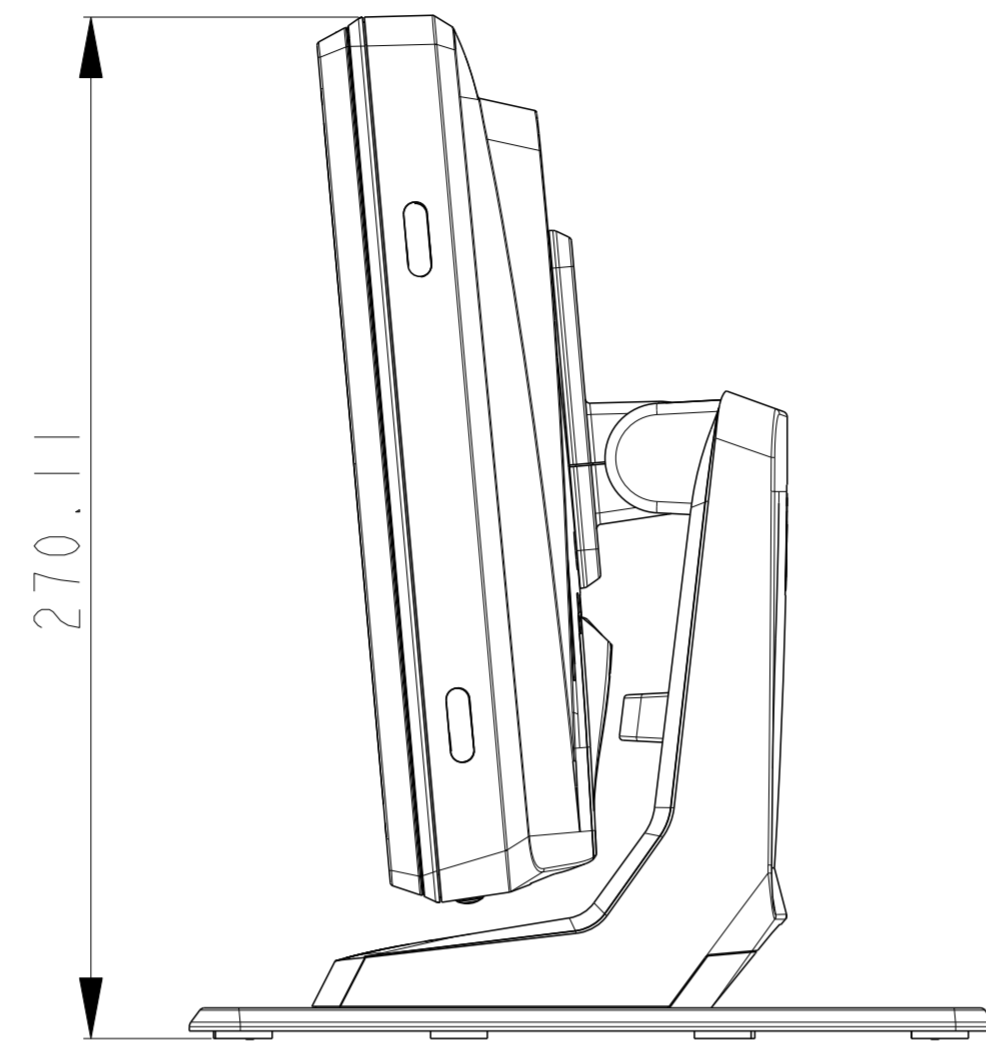
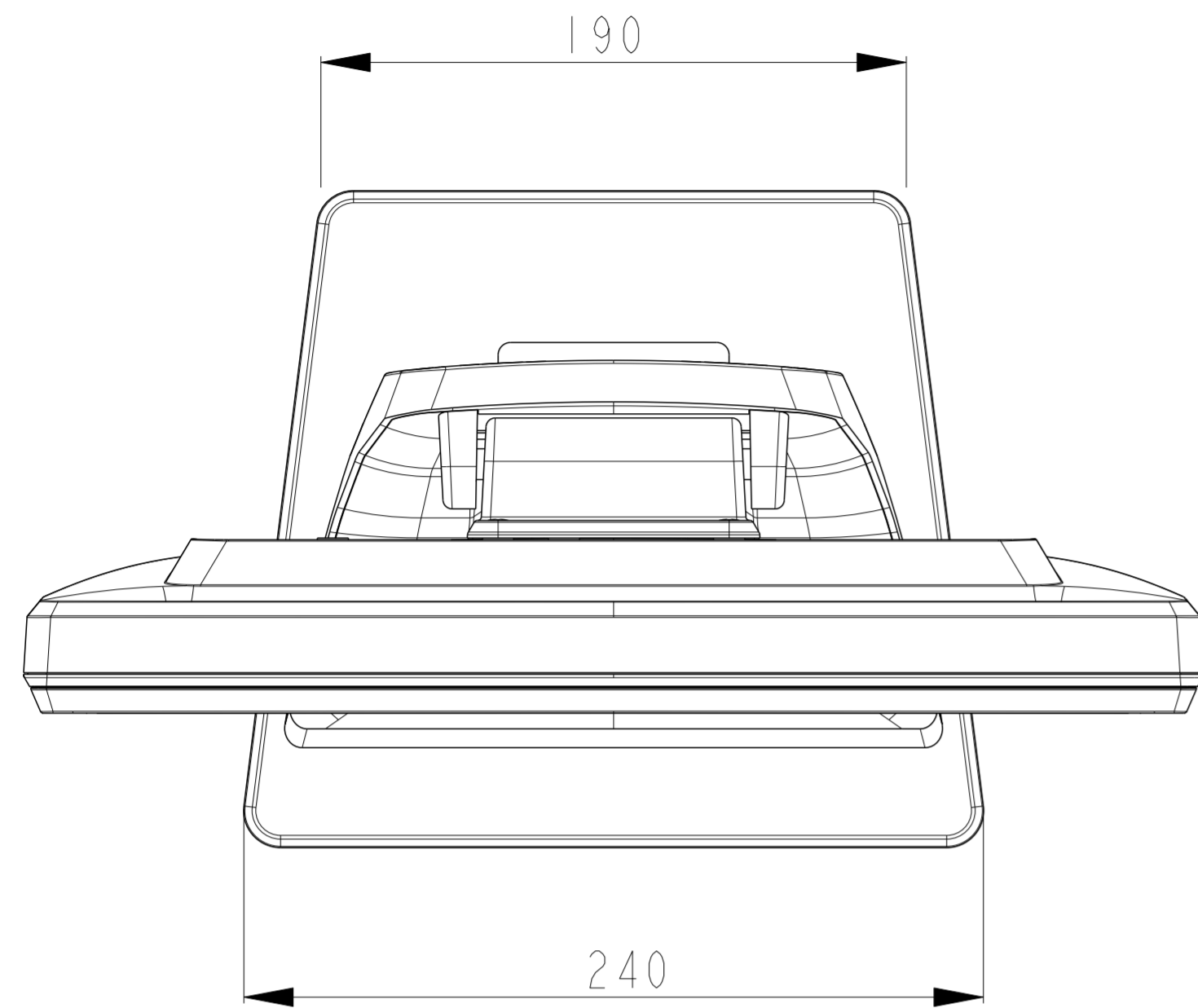
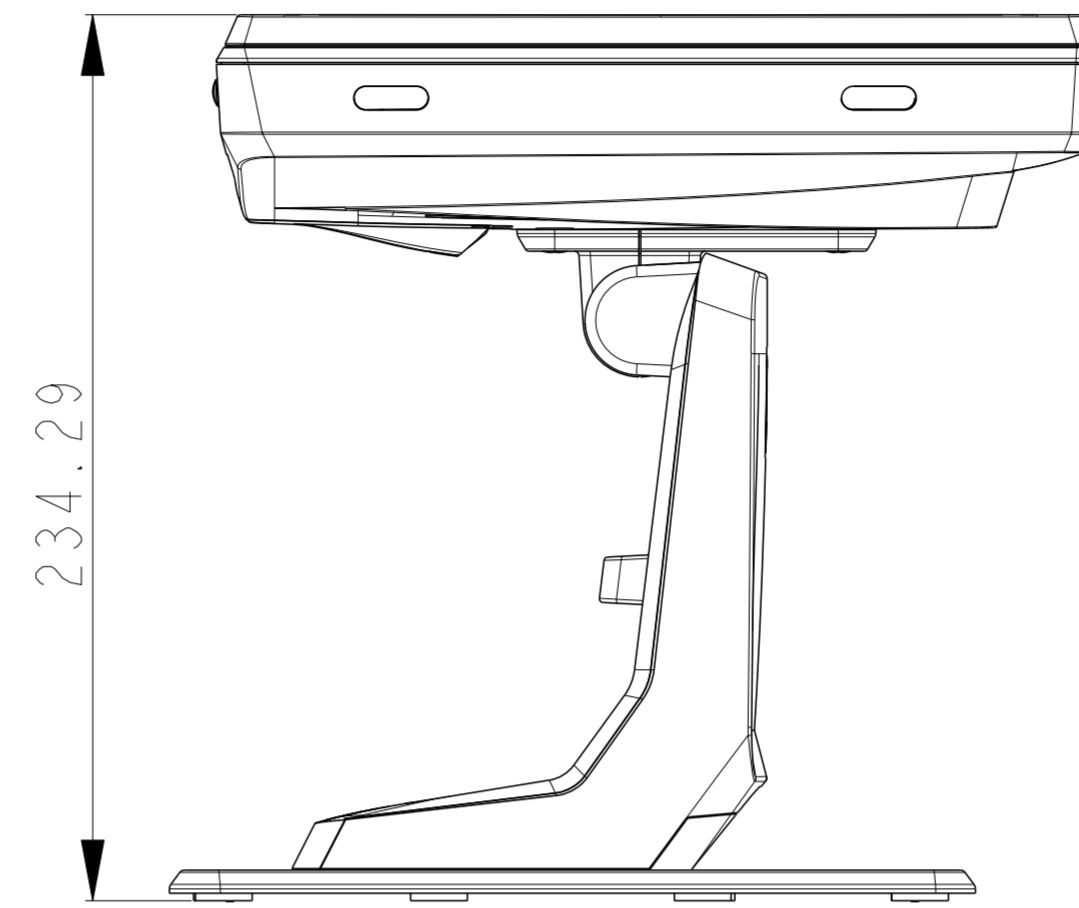


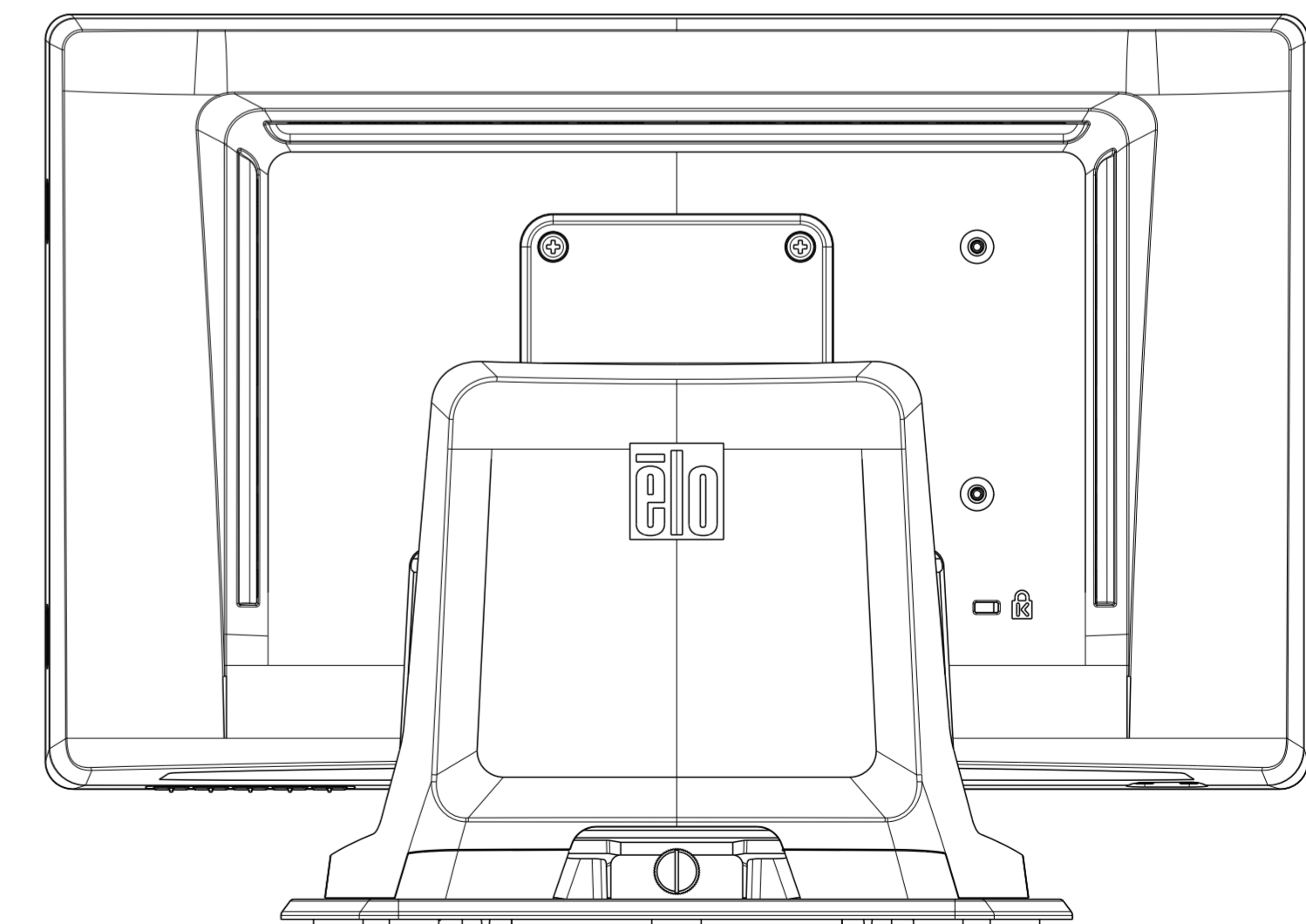
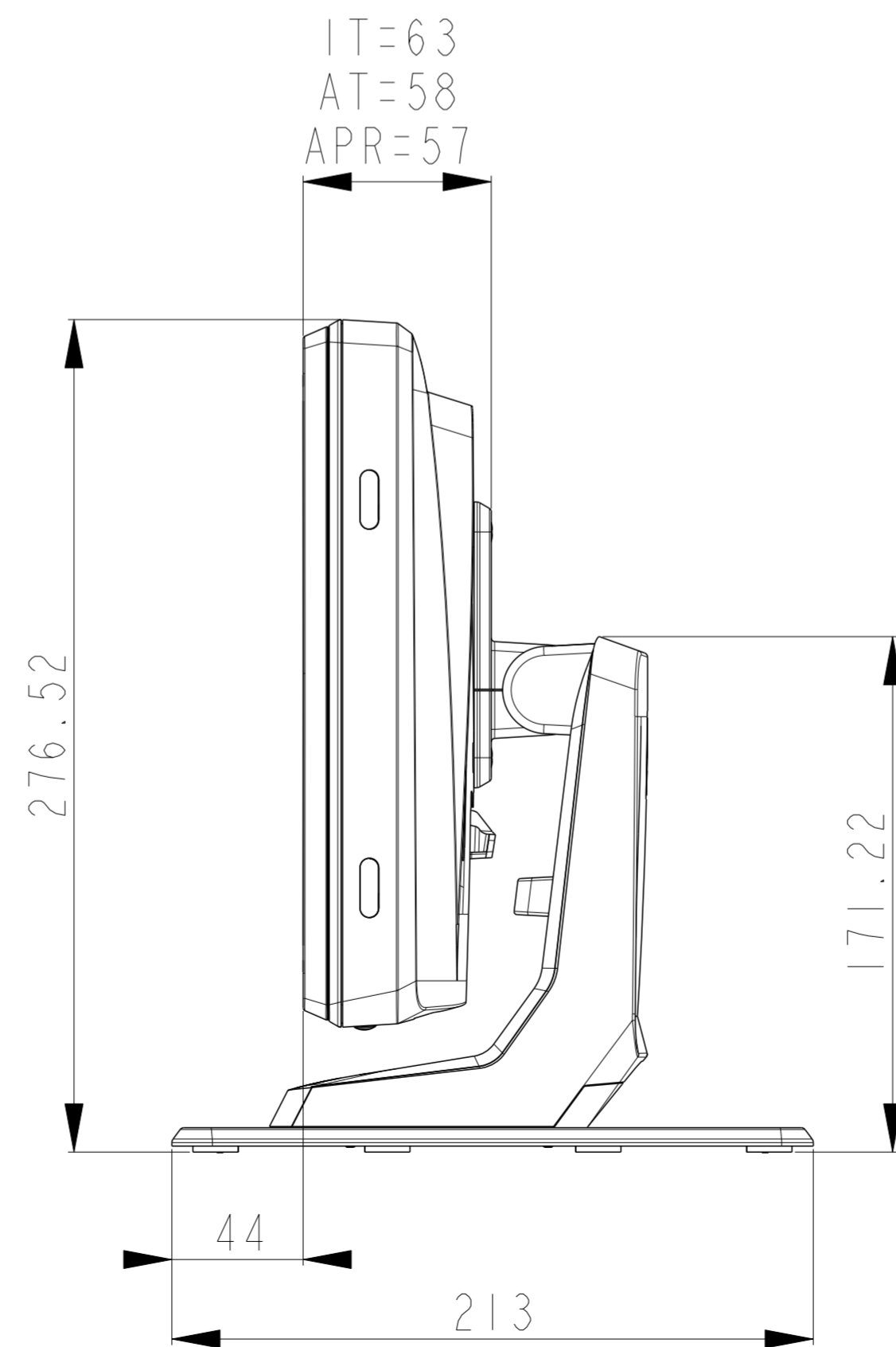
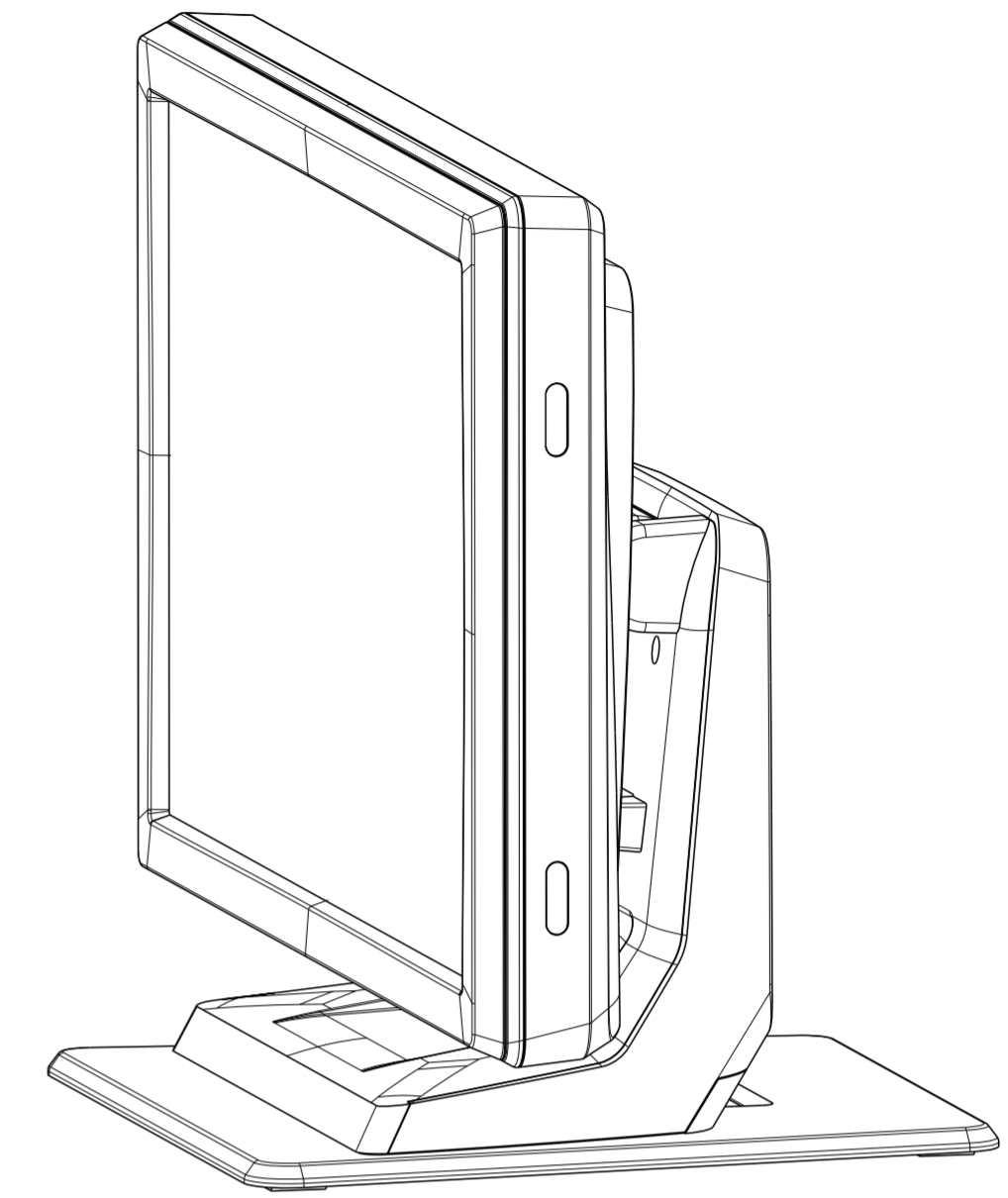
DIMENSIONS FOR IT, AT AND APR MODELS.
SEE PG. 3 FOR i-TOUCH AND PROJECTIVE CAPACITIVE MODELS.



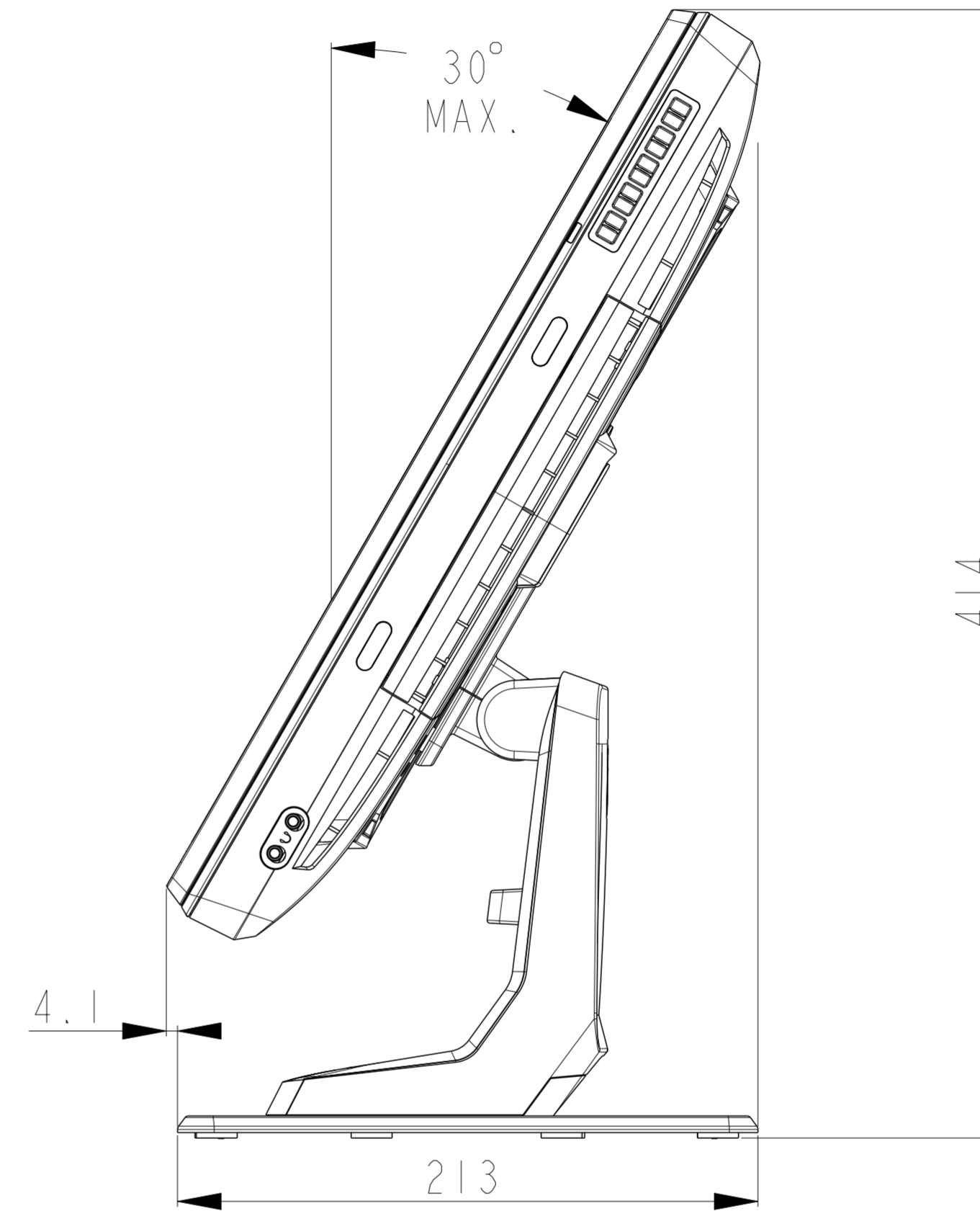
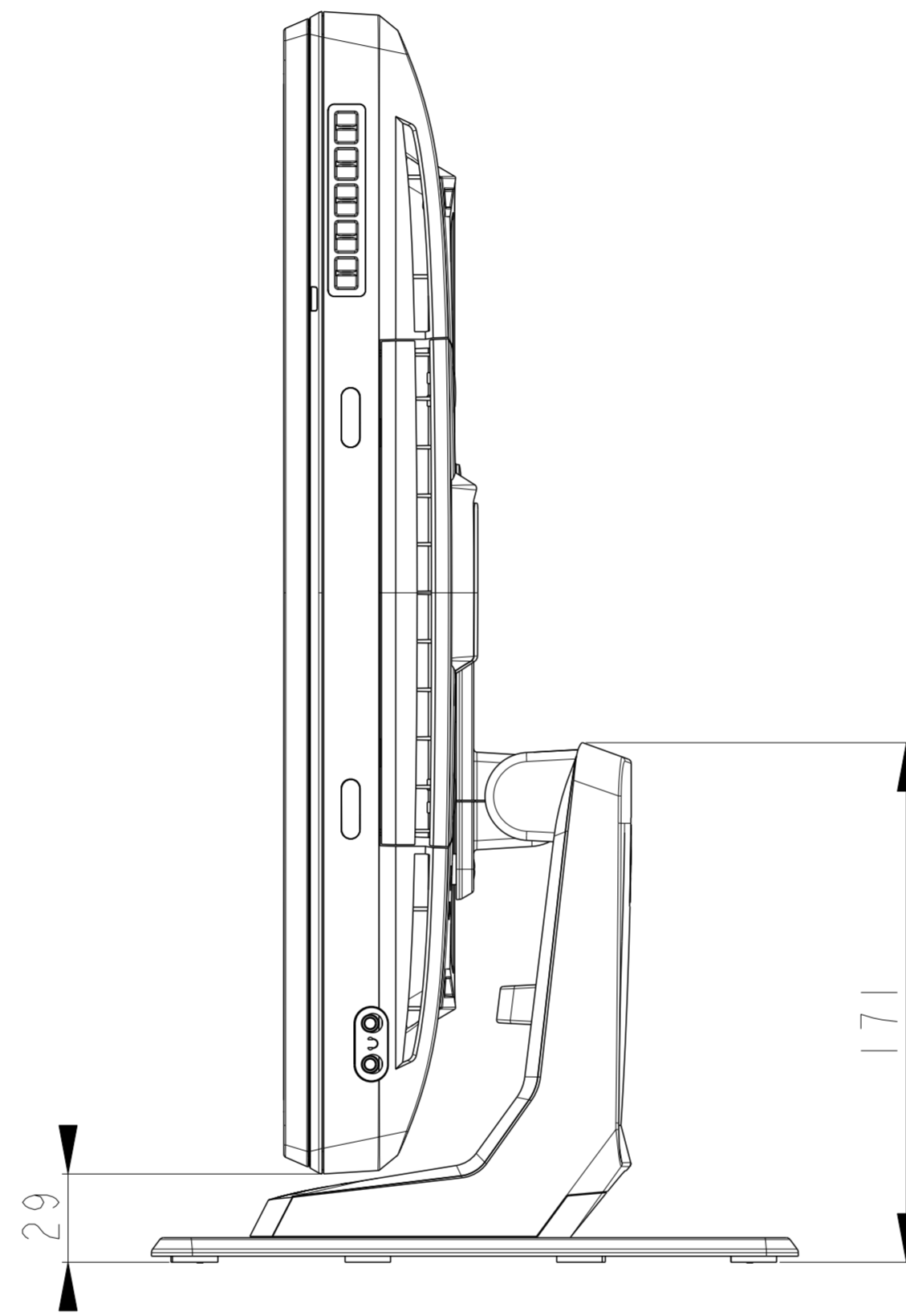
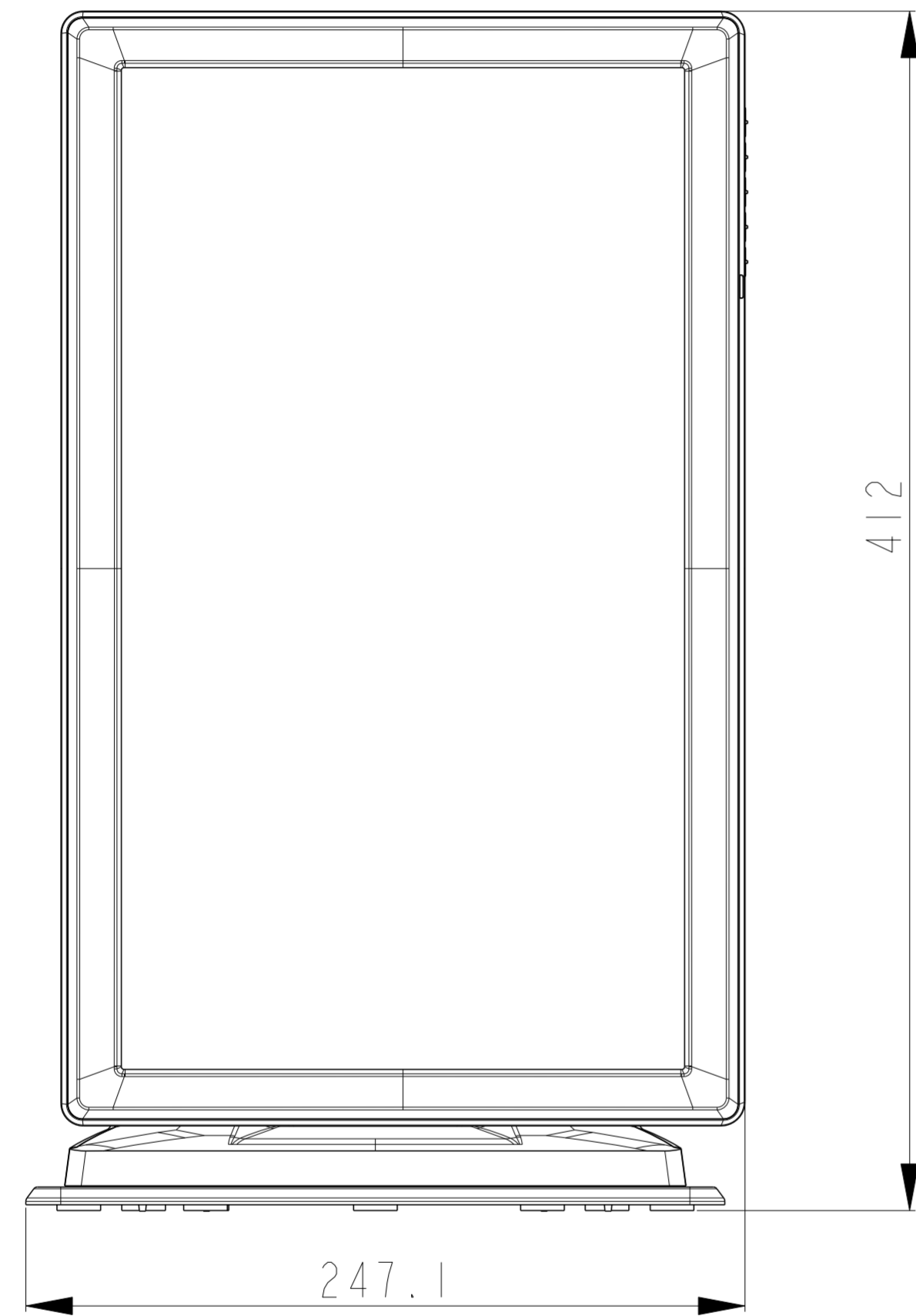
TILT: -5° FROM VERT



TILT: 90° FROM VERT

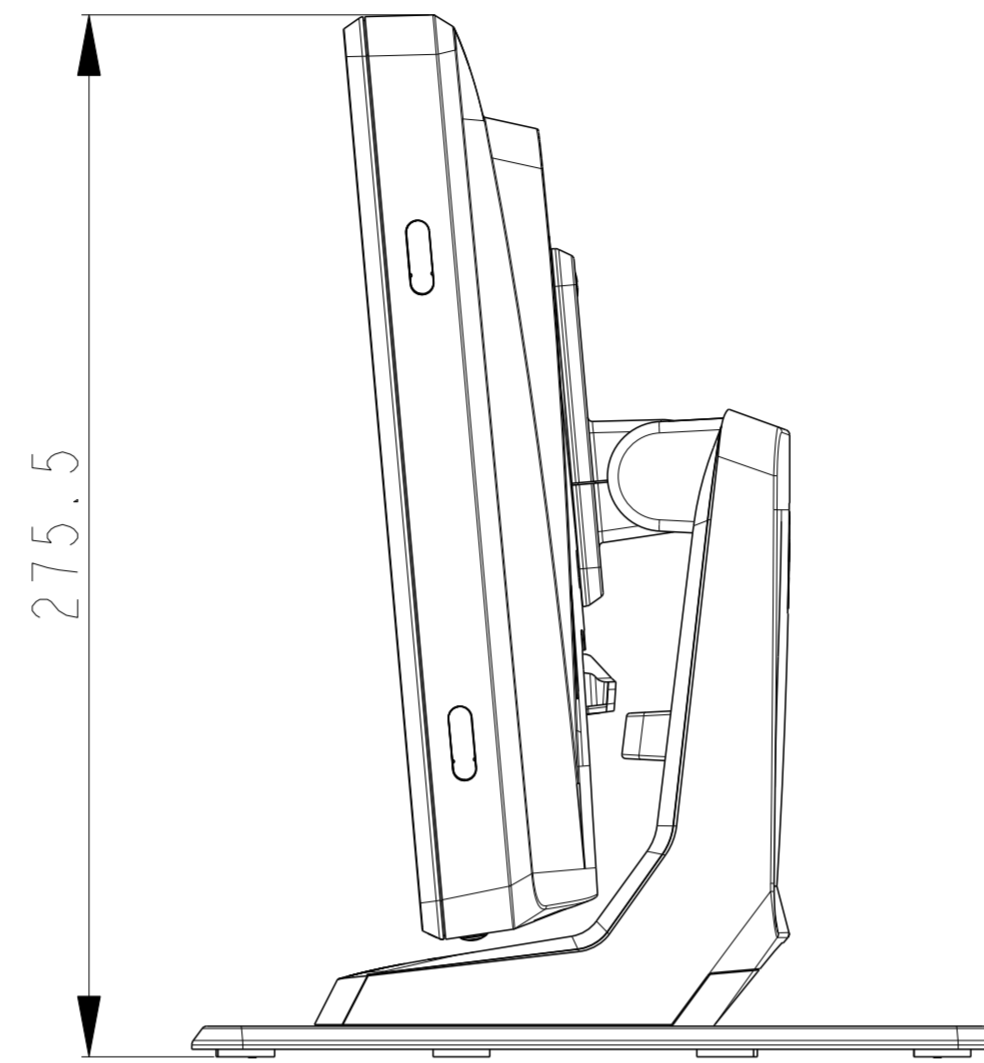
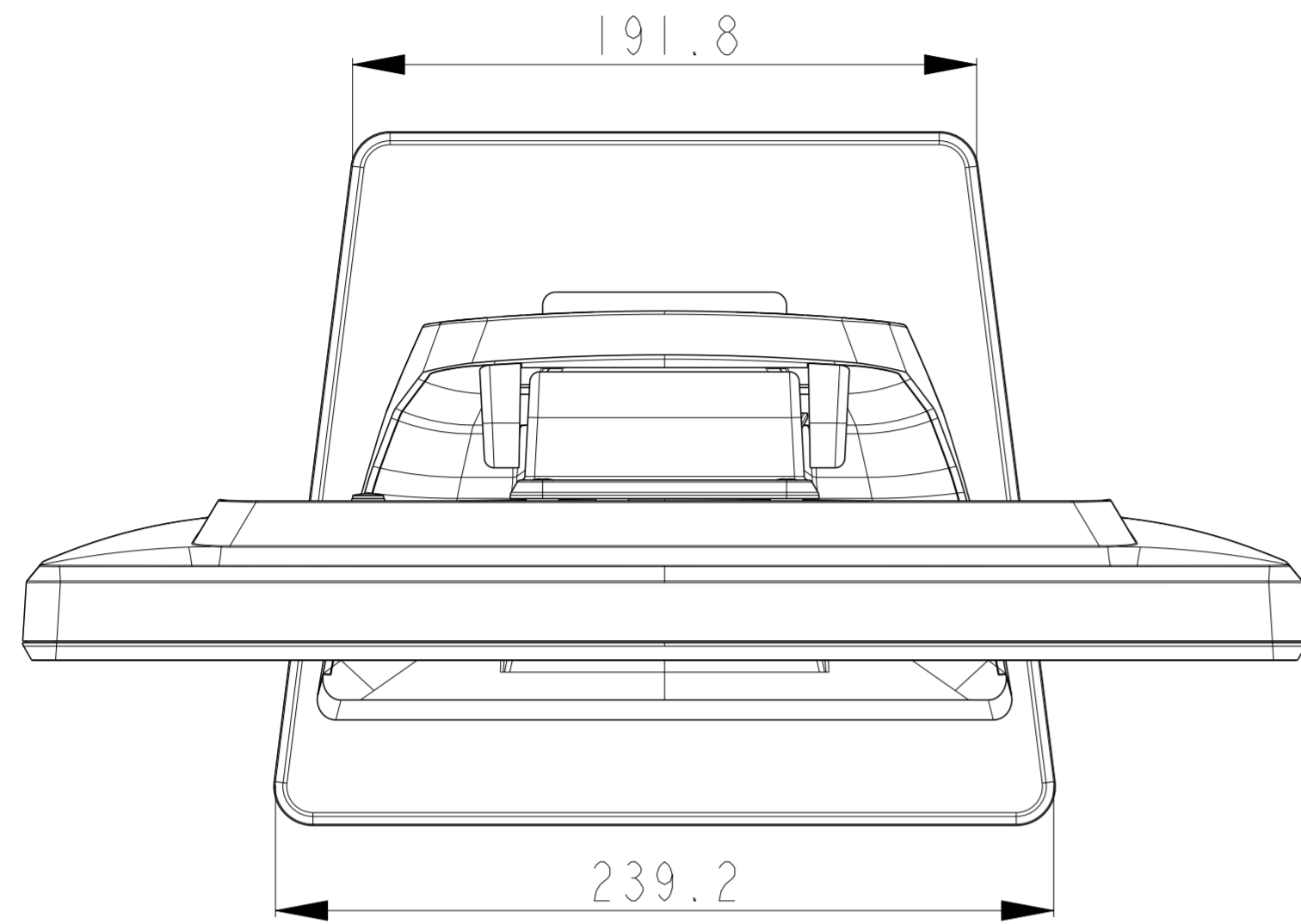


DIMENSIONS FOR IT, AT AND APR MODELS.
SEE PG. 3 FOR i-TOUCH AND PROJECTIVE CAPACITIVE MODELS.

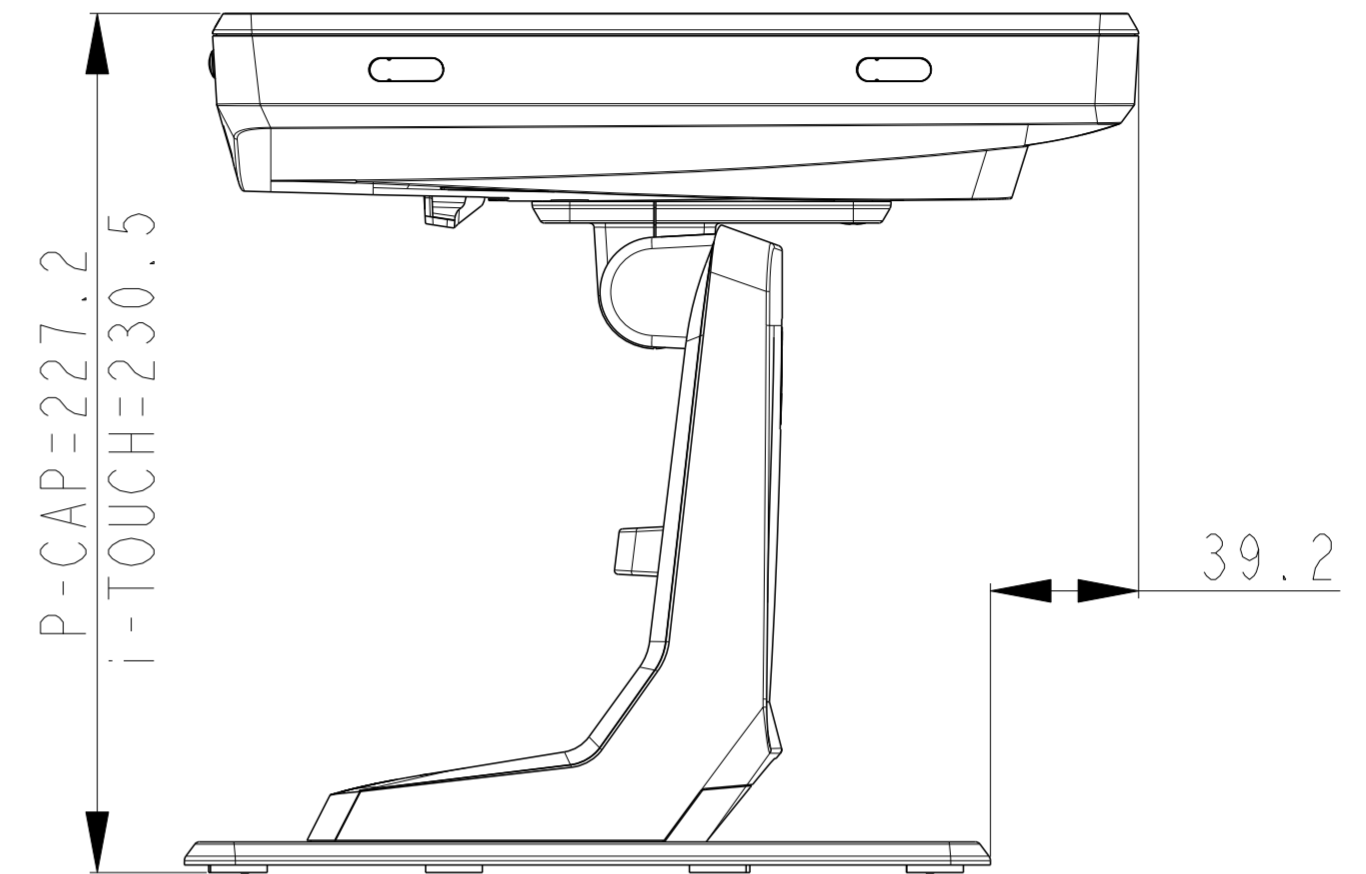


TILT: 30° MAX FROM VERT

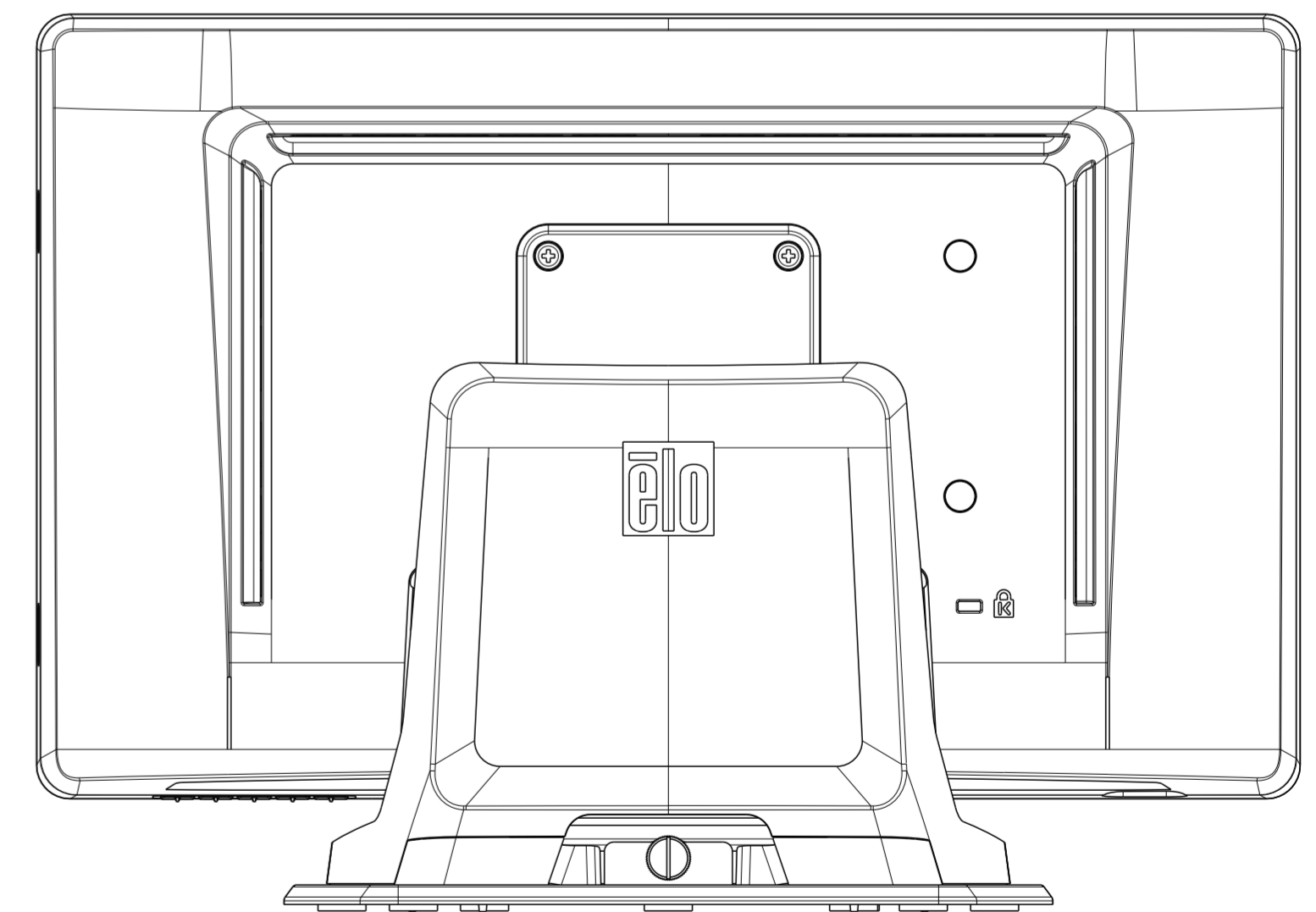
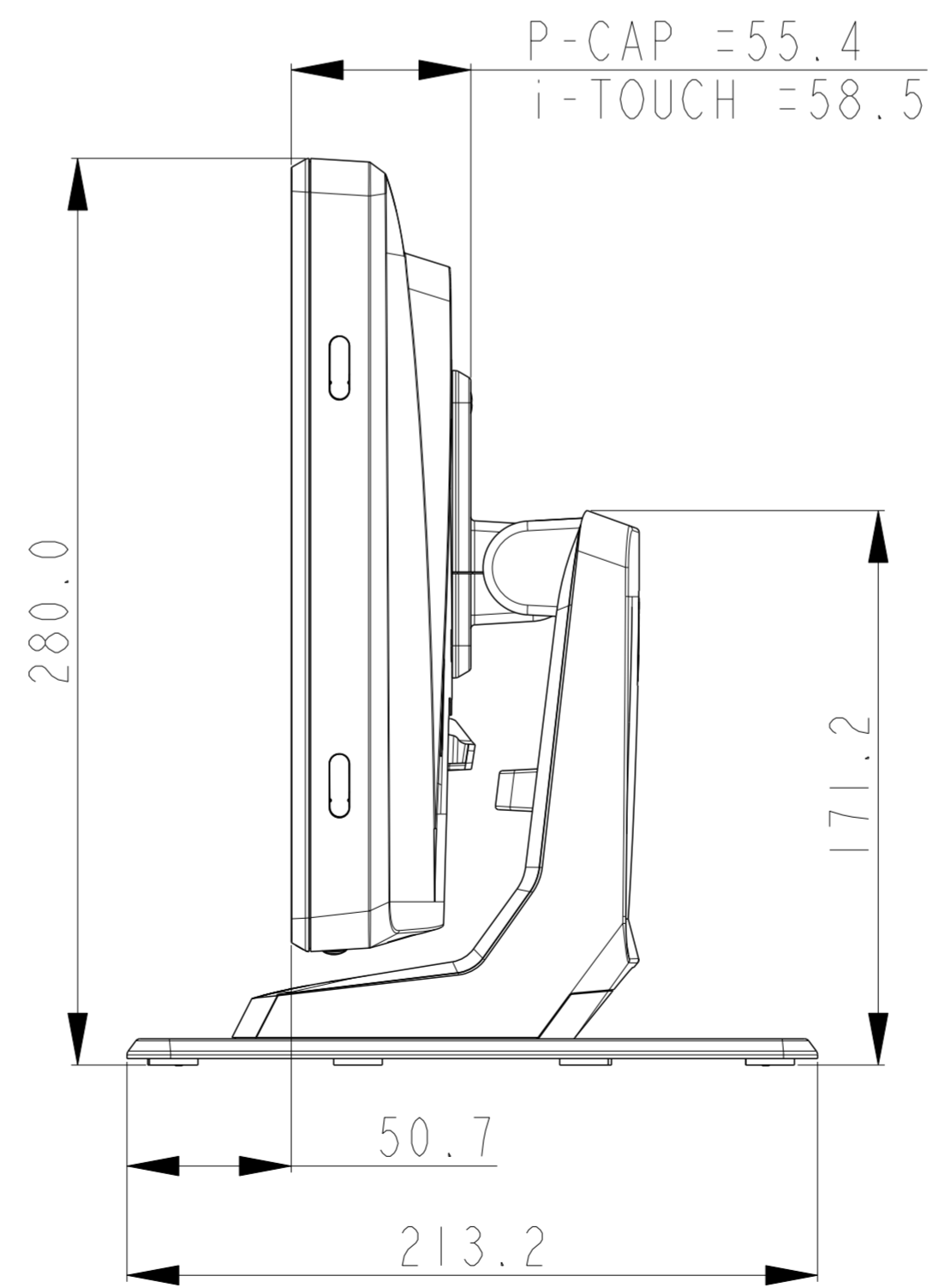
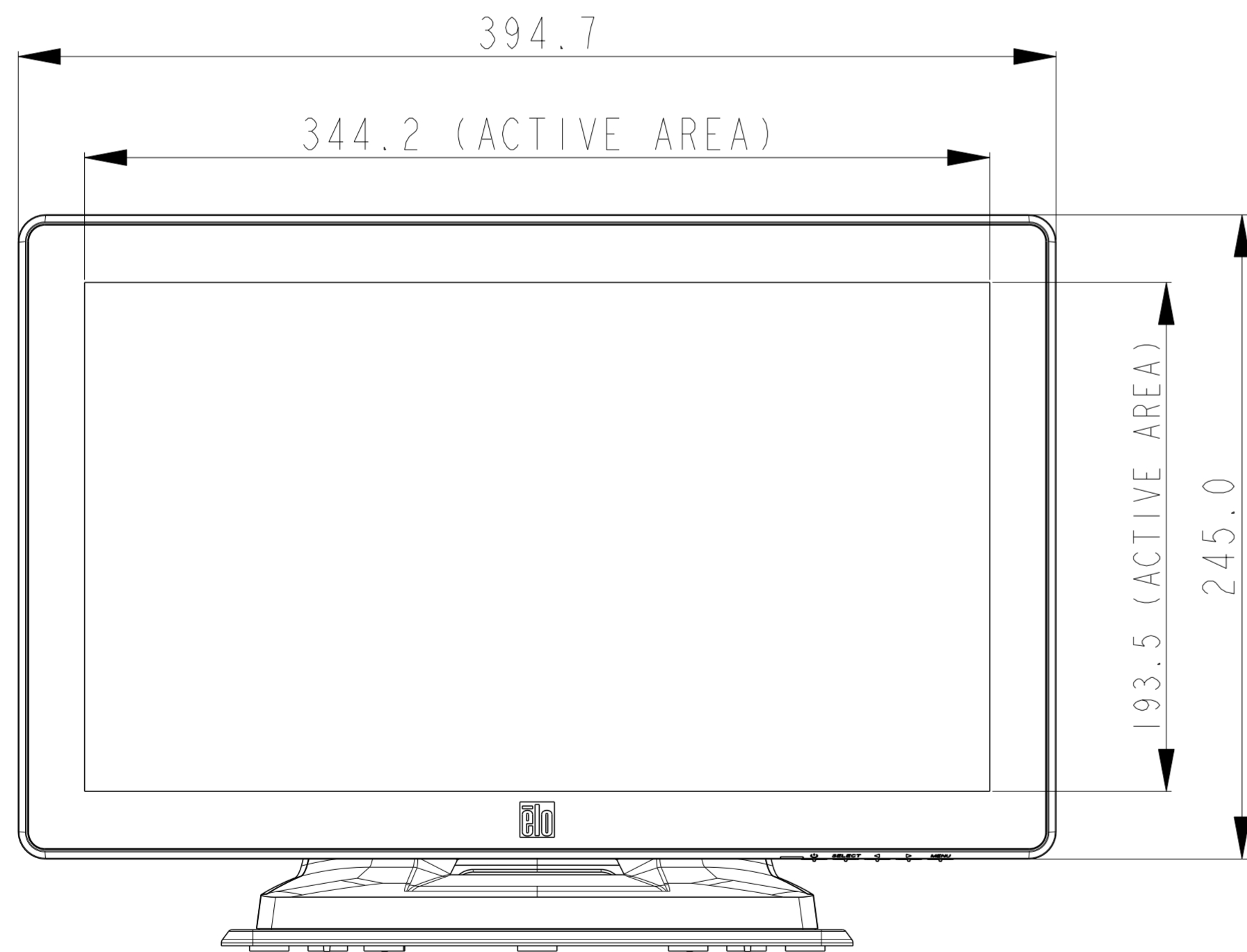
DIMENSIONS FOR i-TOUCH AND PROJECTIVE CAPACITIVE MODELS.
SEE PG. 1-2 FOR IT, AT AND APR MODELS.



TILT: -5° FROM VERT



TILT: 90° FROM VERT



DC INPUT POWER JACK
 BARREL INNER DIAMETER: 6.4mm
 PIN OUTER DIAMETER: 2.0mm
 BARREL DEPTH: 8.8mm
 INPUT VOLTAGE: 12VDC ± 5%

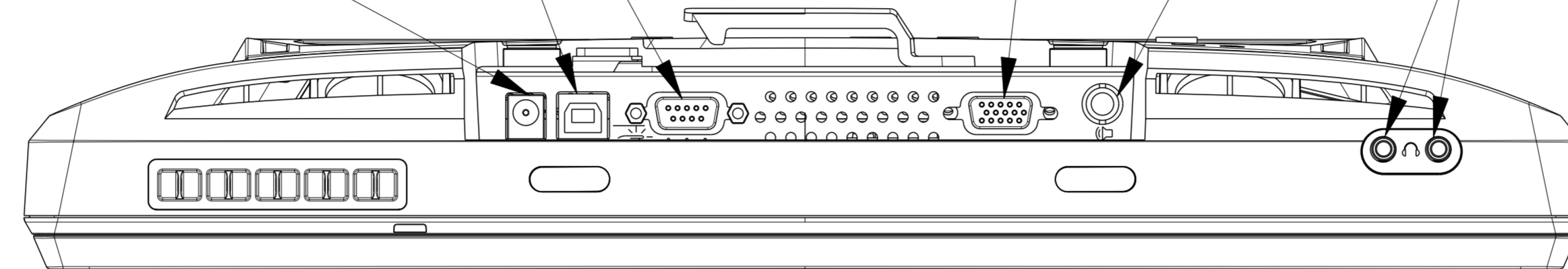
SERIAL TOUCH
 (NOT APPLICABLE TO APR, P-CAP)

AUDIO INPUT
 3.5mm TRS JACK
 1Vrms MAXIMUM

USB TOUCH

VGA

HEADPHONE OUTPUTS
 TWO 3.5mm TRS JACKS



1519L

DC INPUT POWER JACK
 BARREL INNER DIAMETER: 6.4mm
 PIN OUTER DIAMETER: 2.0mm
 BARREL DEPTH: 8.8mm
 INPUT VOLTAGE: 12VDC ± 5%

SERIAL TOUCH
 (NOT APPLICABLE TO APR, P-CAP)

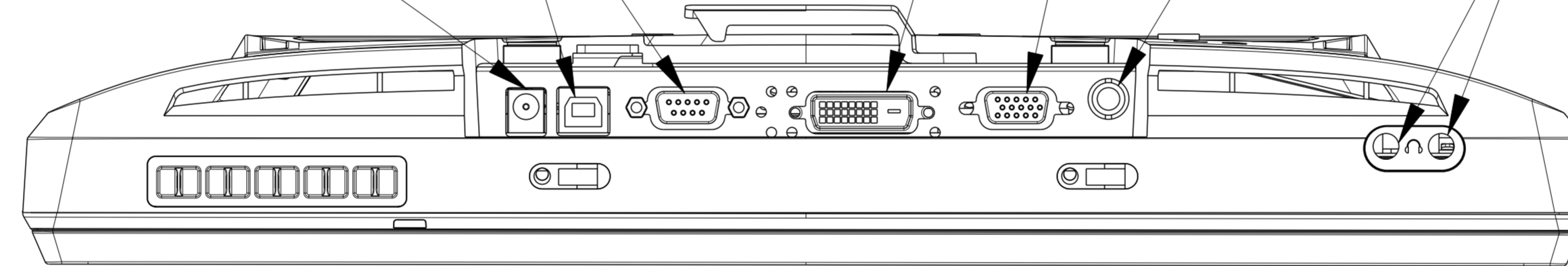
AUDIO INPUT
 3.5mm TRS JACK
 1Vrms MAXIMUM

USB TOUCH

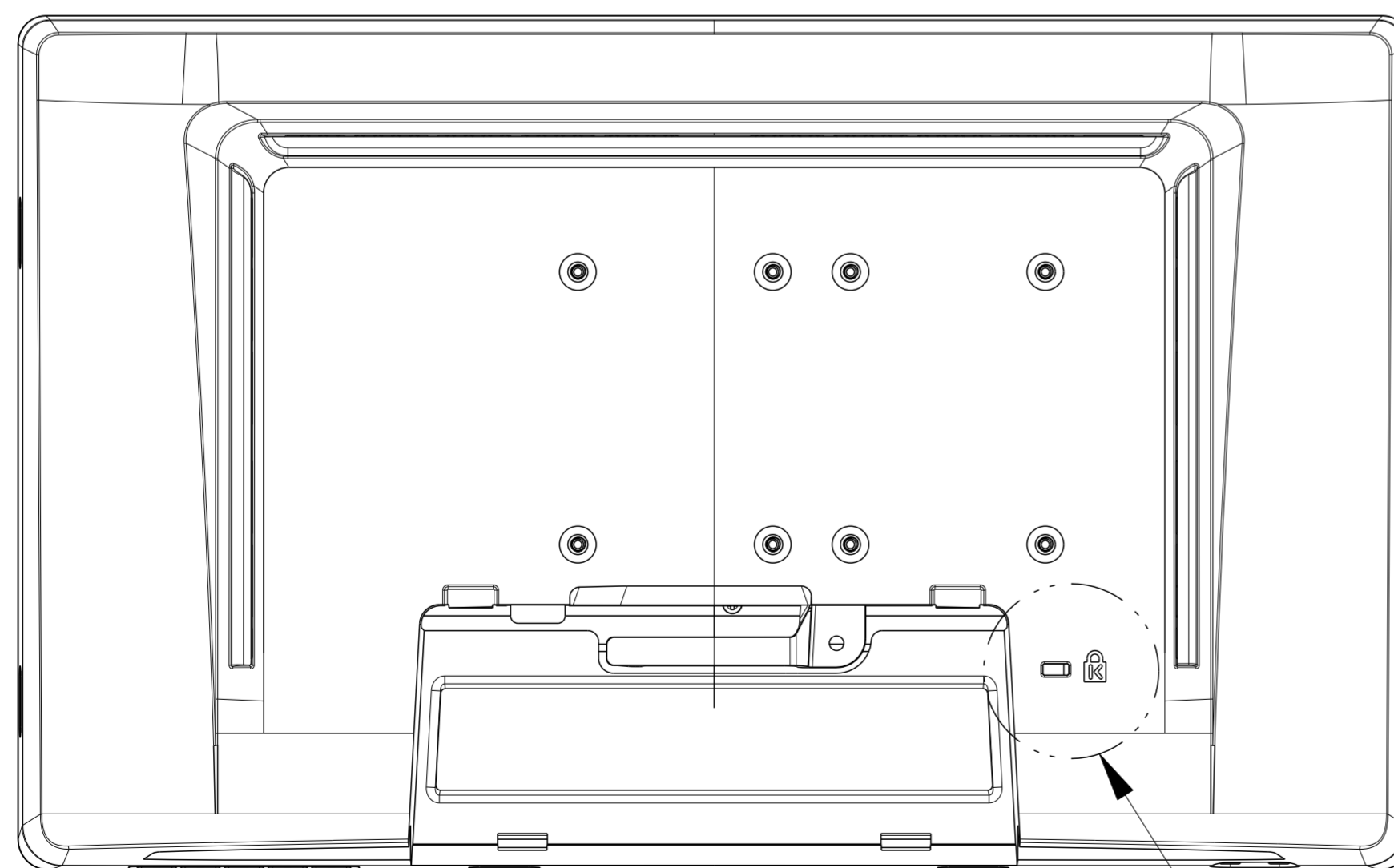
DVI

VGA

HEADPHONE OUTPUTS
 TWO 3.5mm TRS JACKS

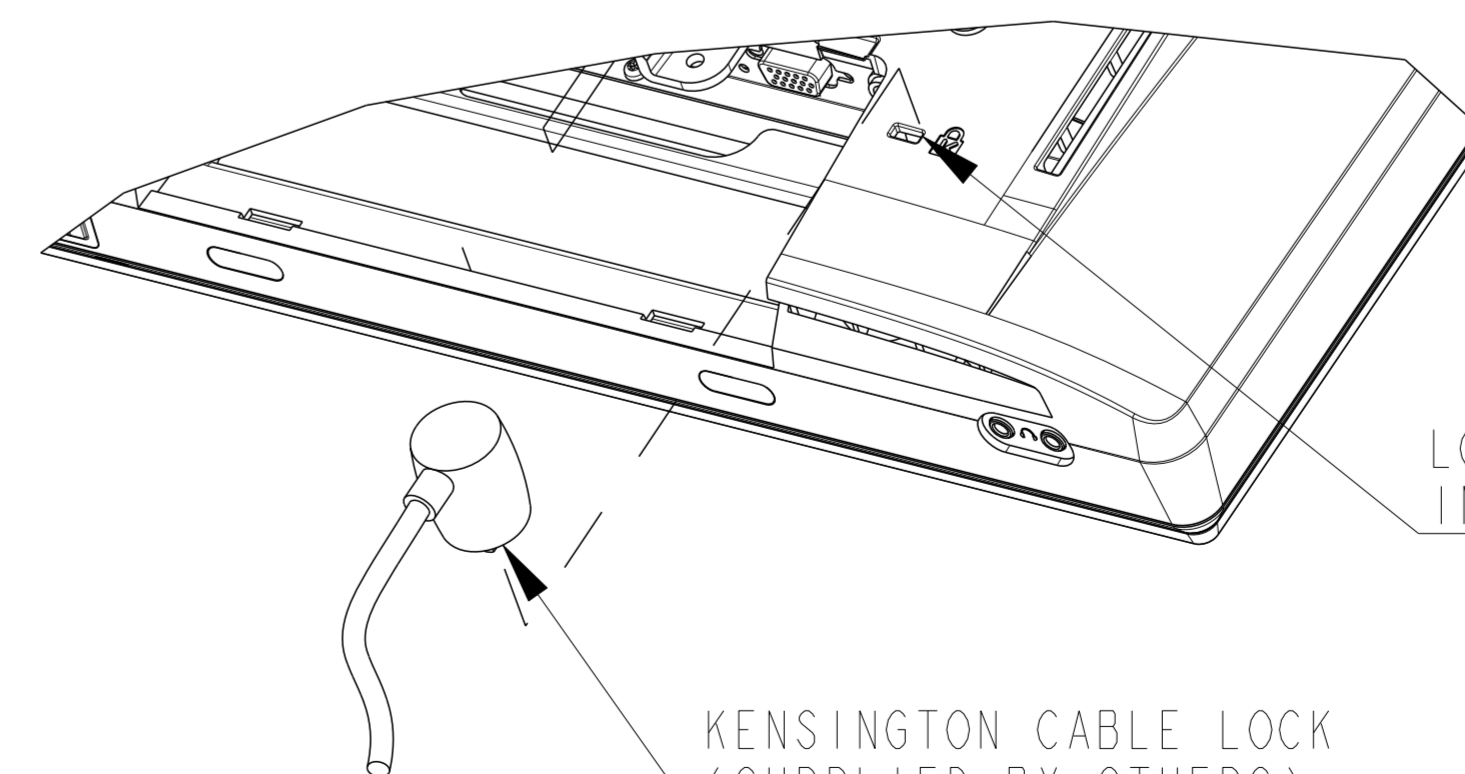


1519LM



KENSINGTON LOCK
 RECEPTACLE

KENSINGTON LOCK DETAIL

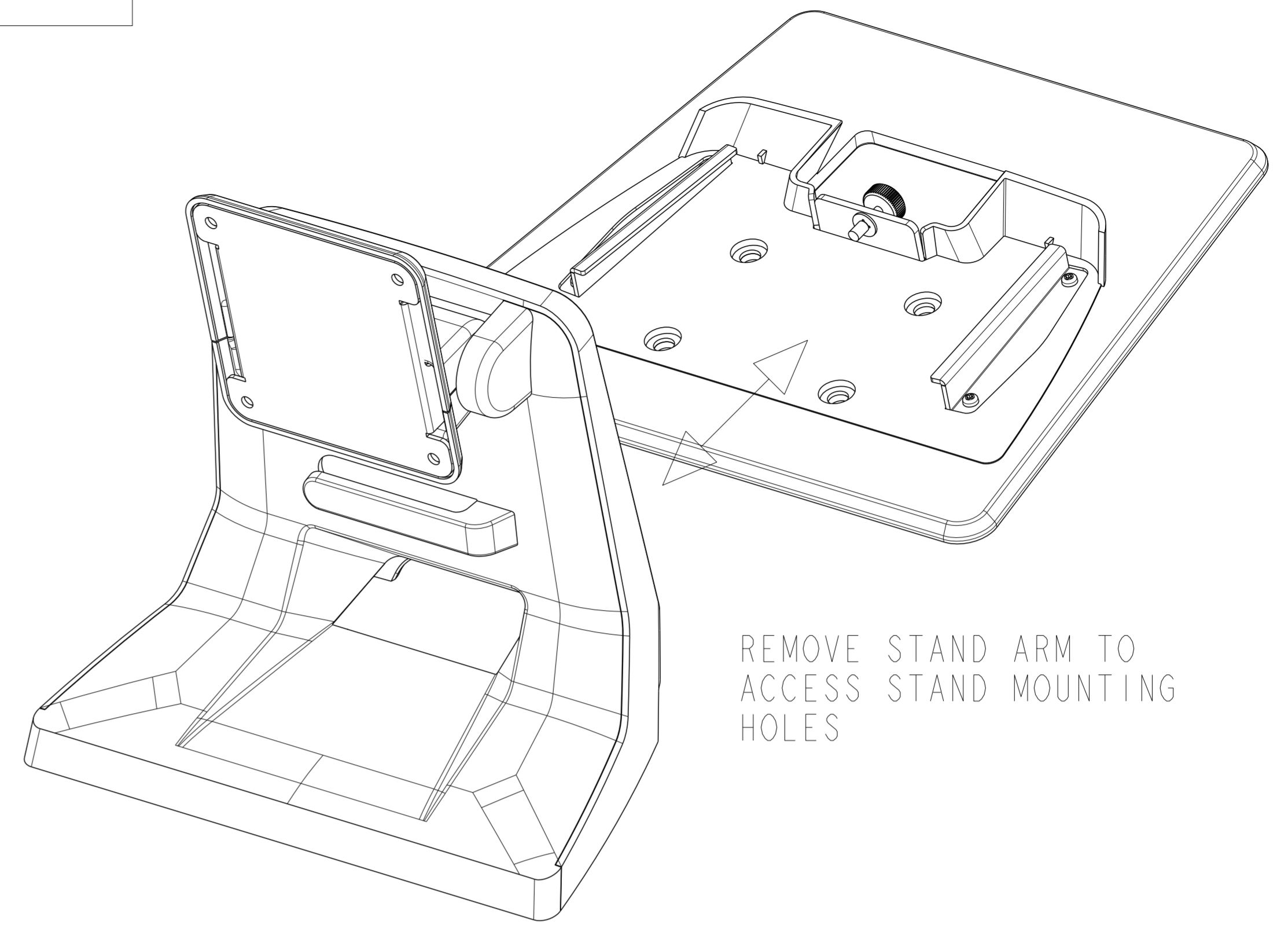
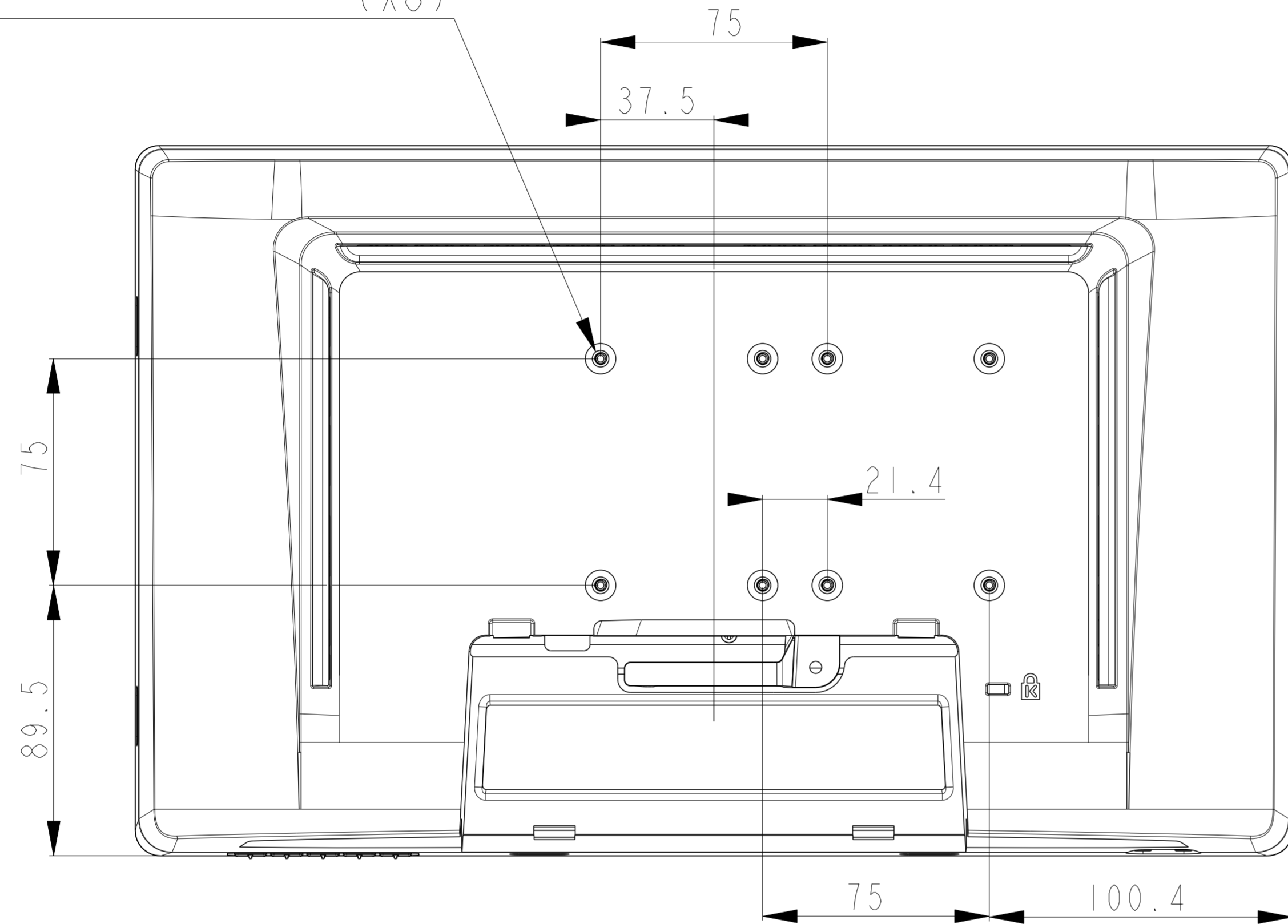


LOCK RECEPTICAL
 IN BACK COVER

KENSINGTON CABLE LOCK
 (SUPPLIED BY OTHERS)

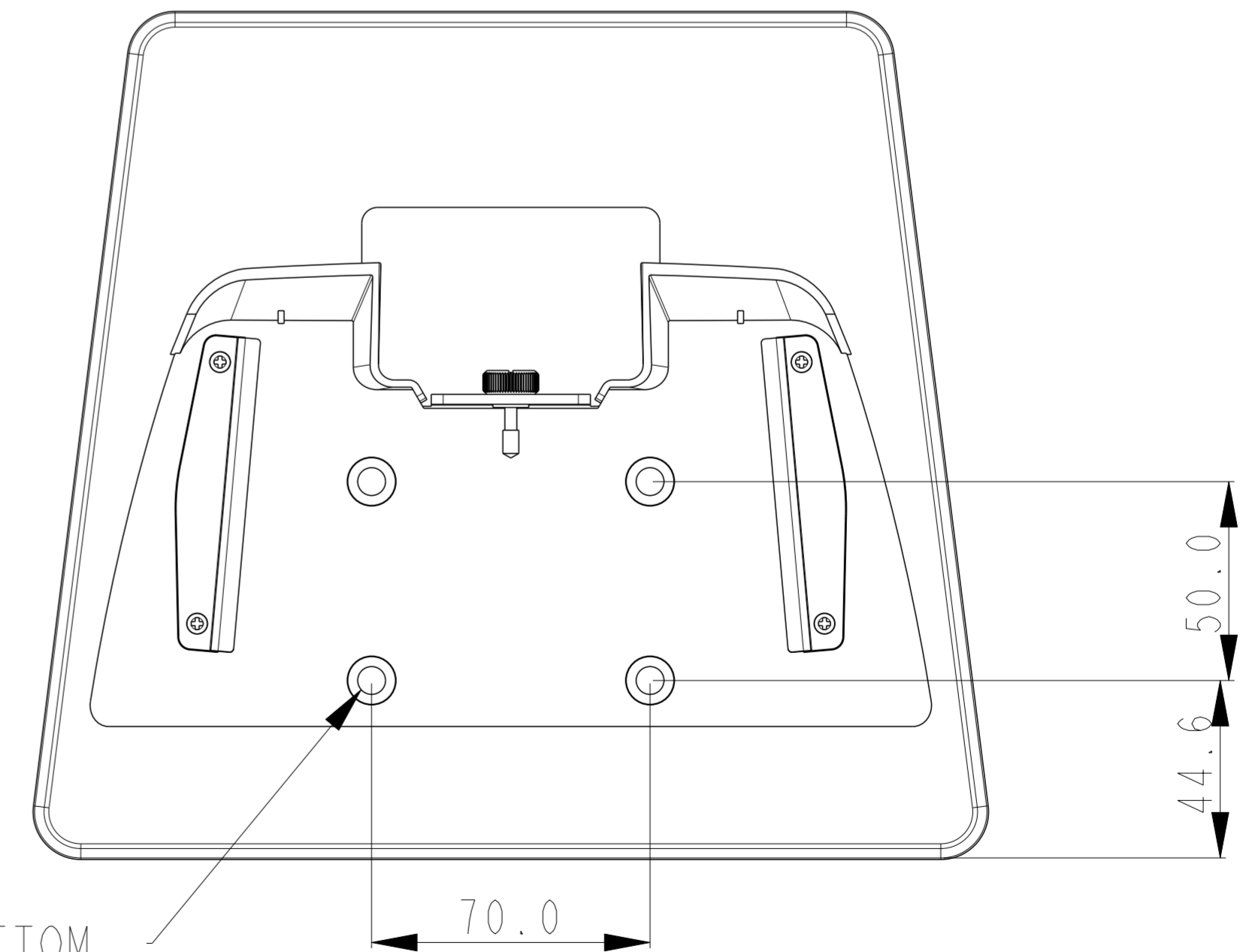
VESA MOUNT

M4 THREAD, MAX. DEPTH 6mm
(X8)



REMOVE STAND ARM TO
ACCESS STAND MOUNTING
HOLES

Option 1



Top View

Ø7MM TROUGH HOLE, 6MM FROM BASE BOTTOM,
MAX. SCREW HEAD DIA. = Ø11MM,
MAX. HEAD HEIGHT = 6MM
(X4)