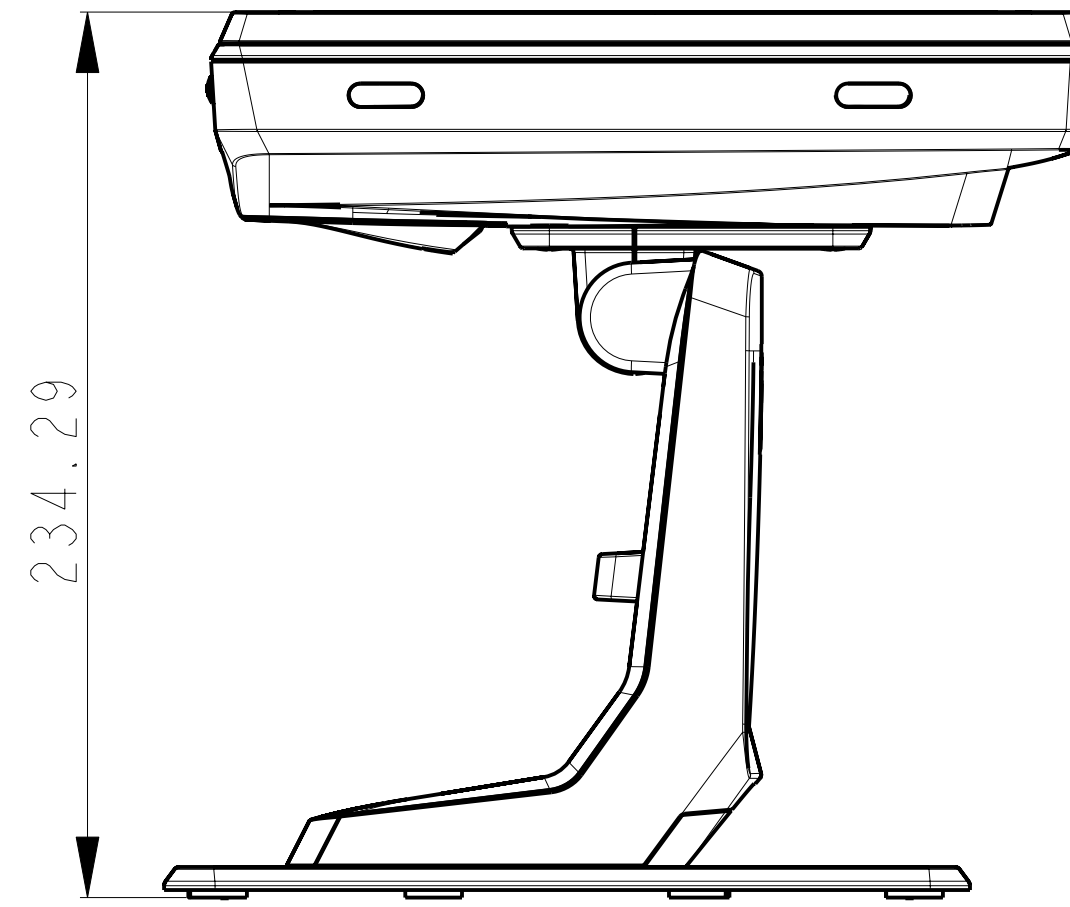
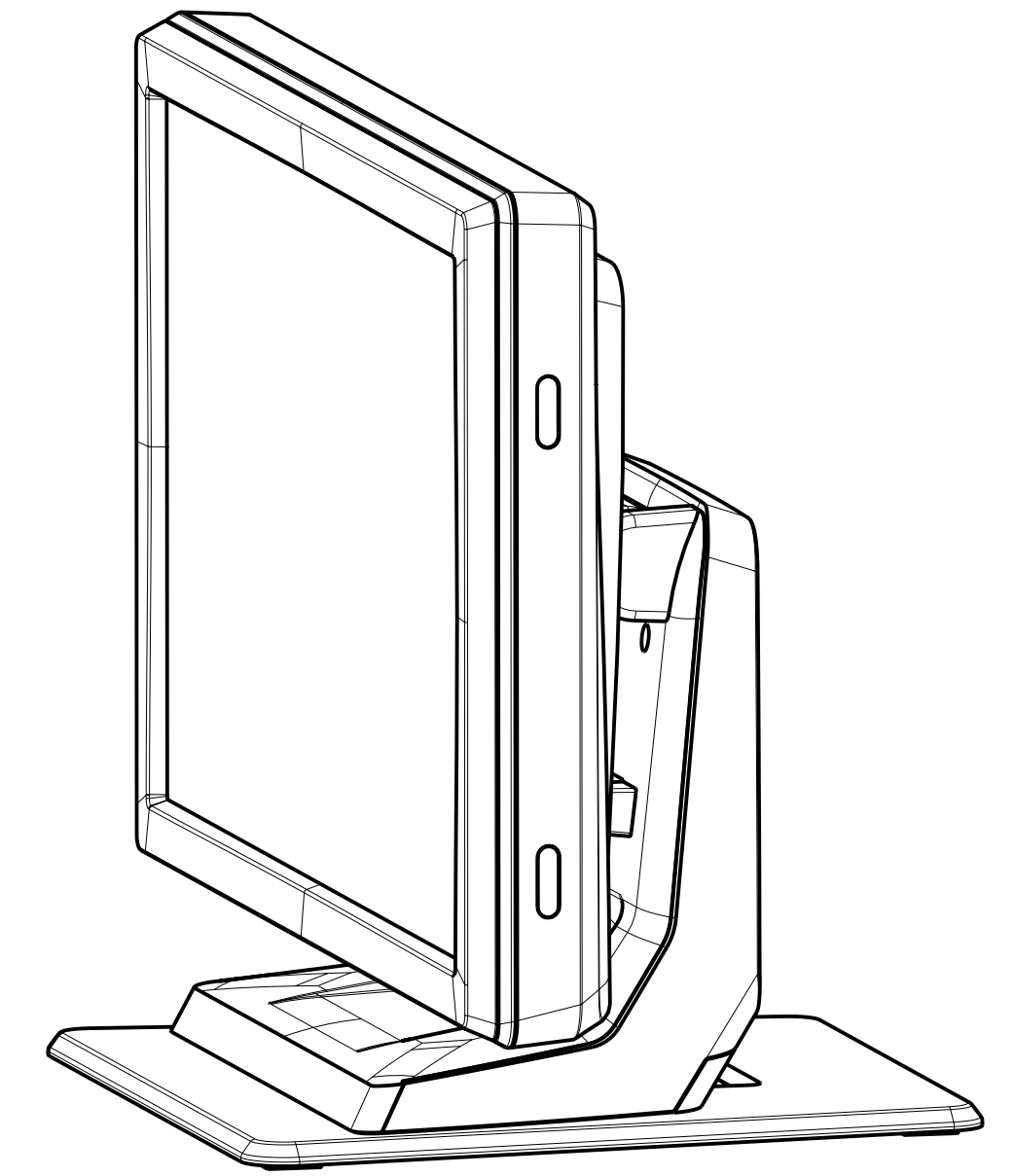


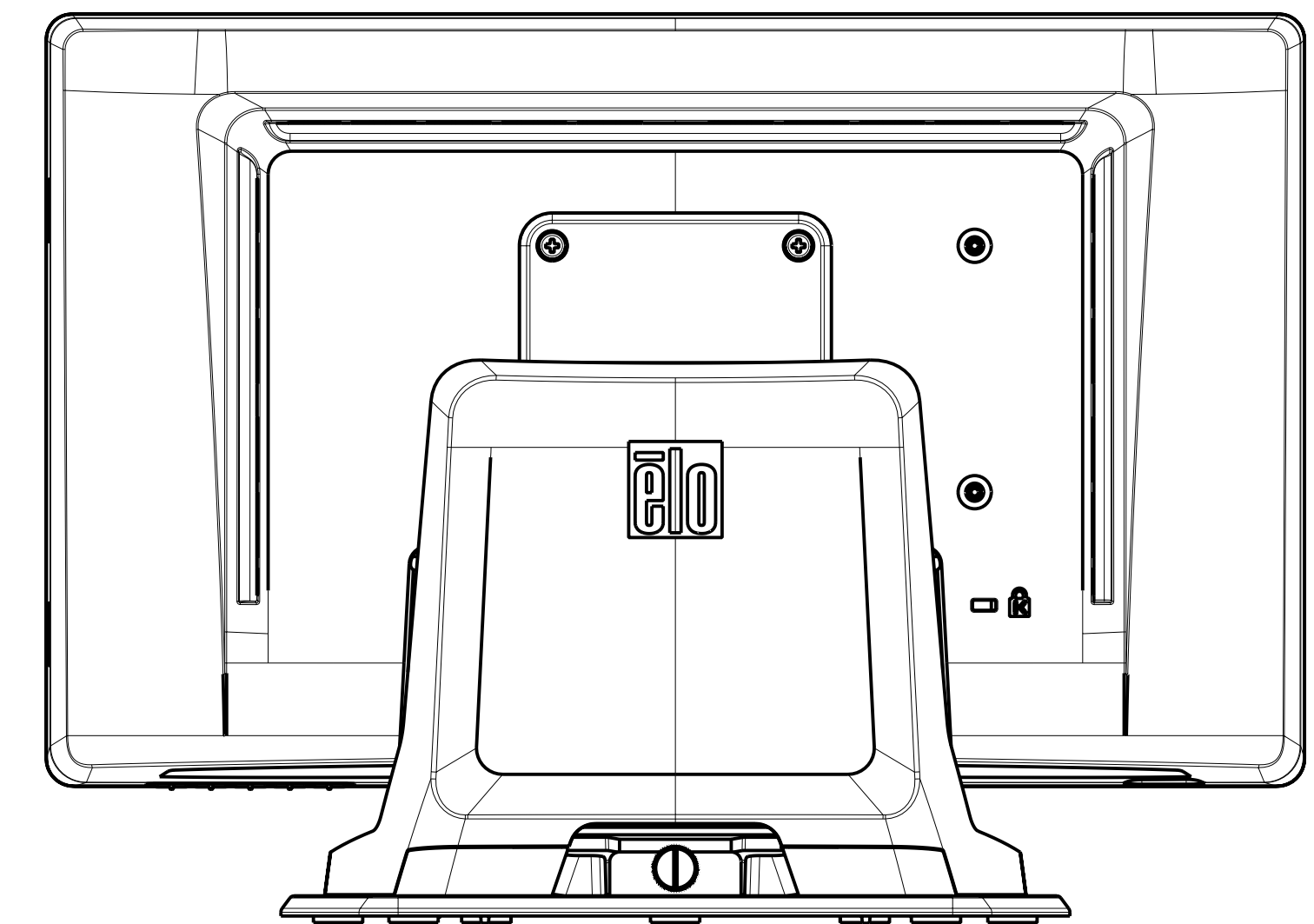
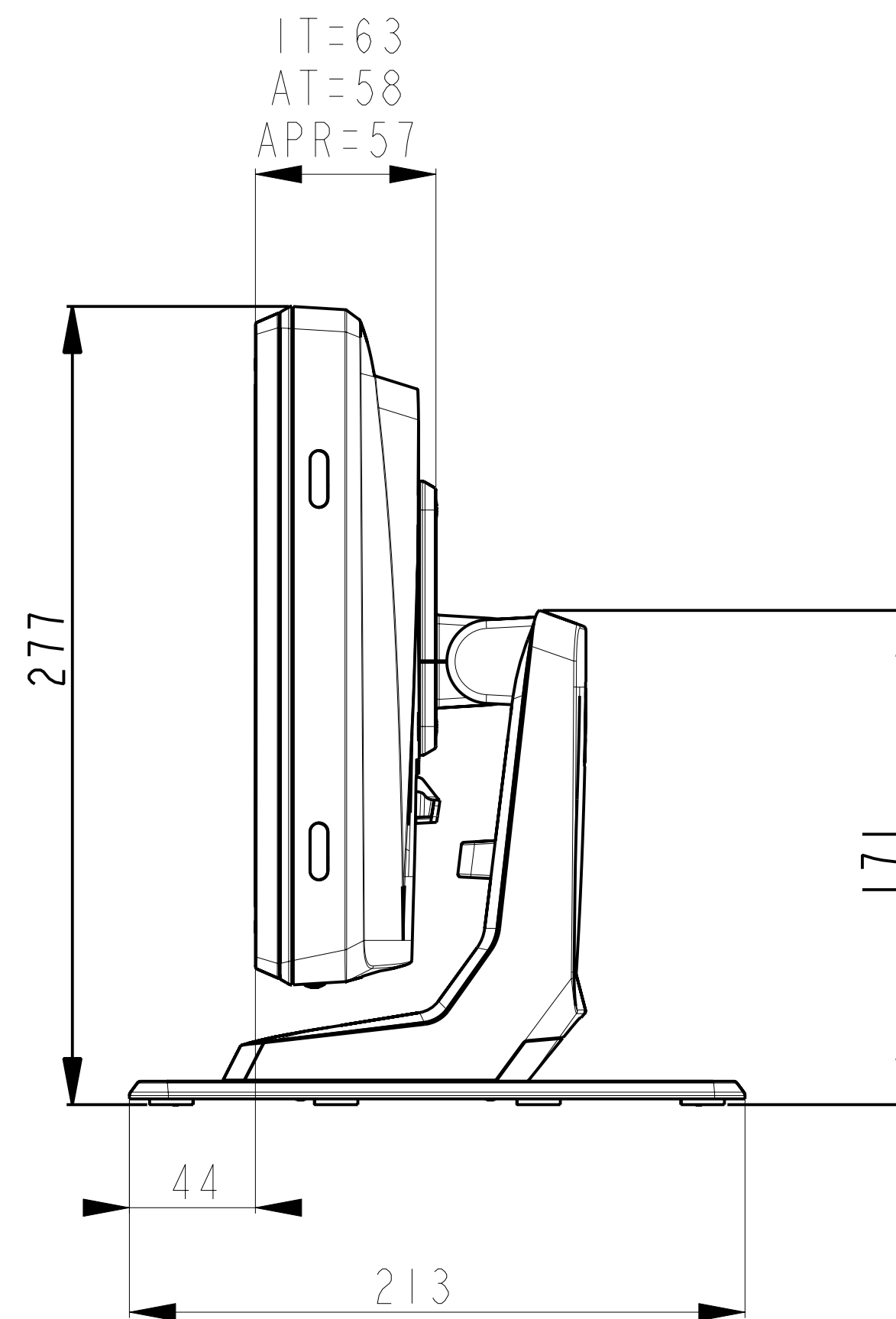
TILT: -5° FROM VERT

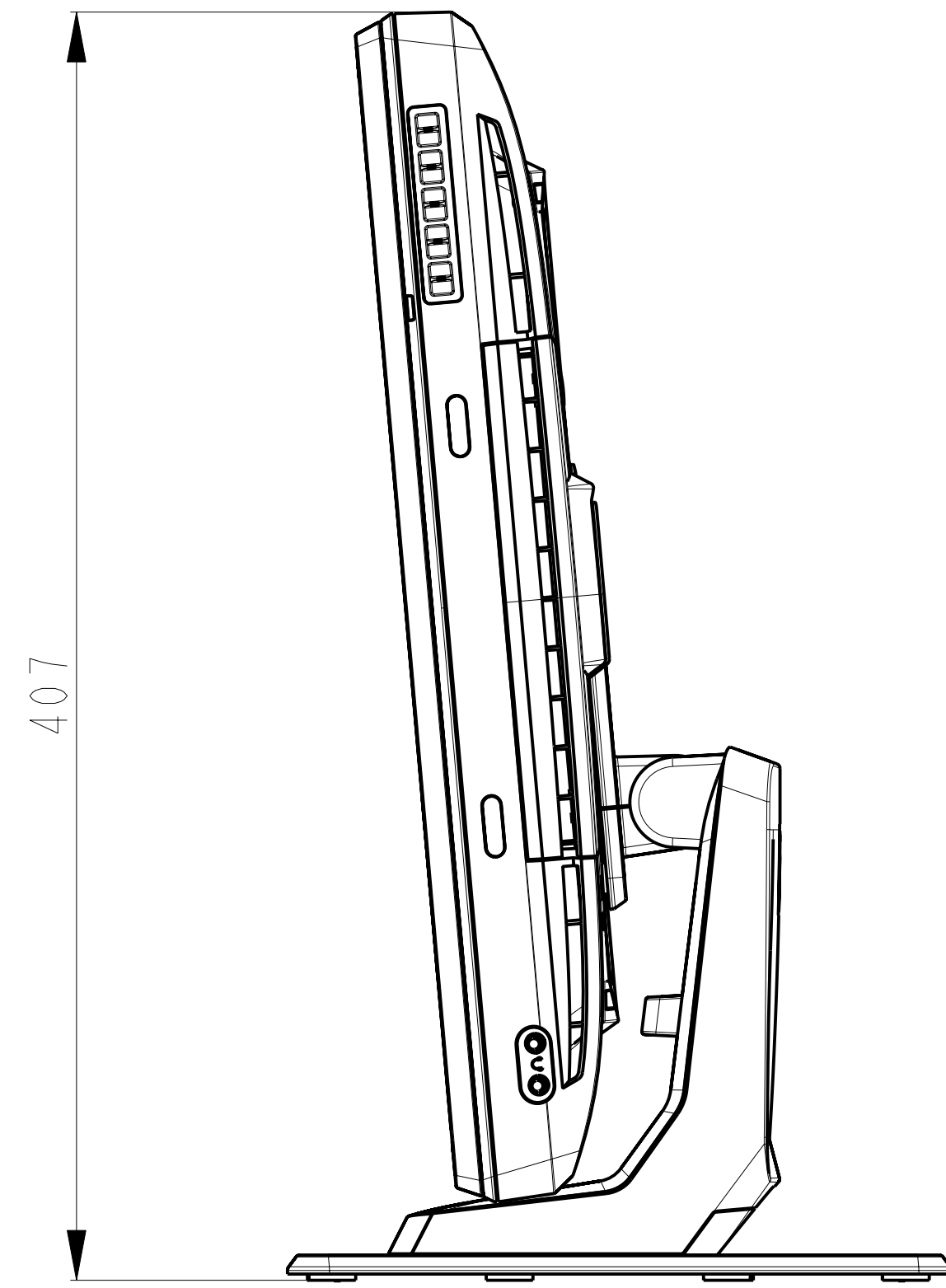


TILT: 90° FROM VERT

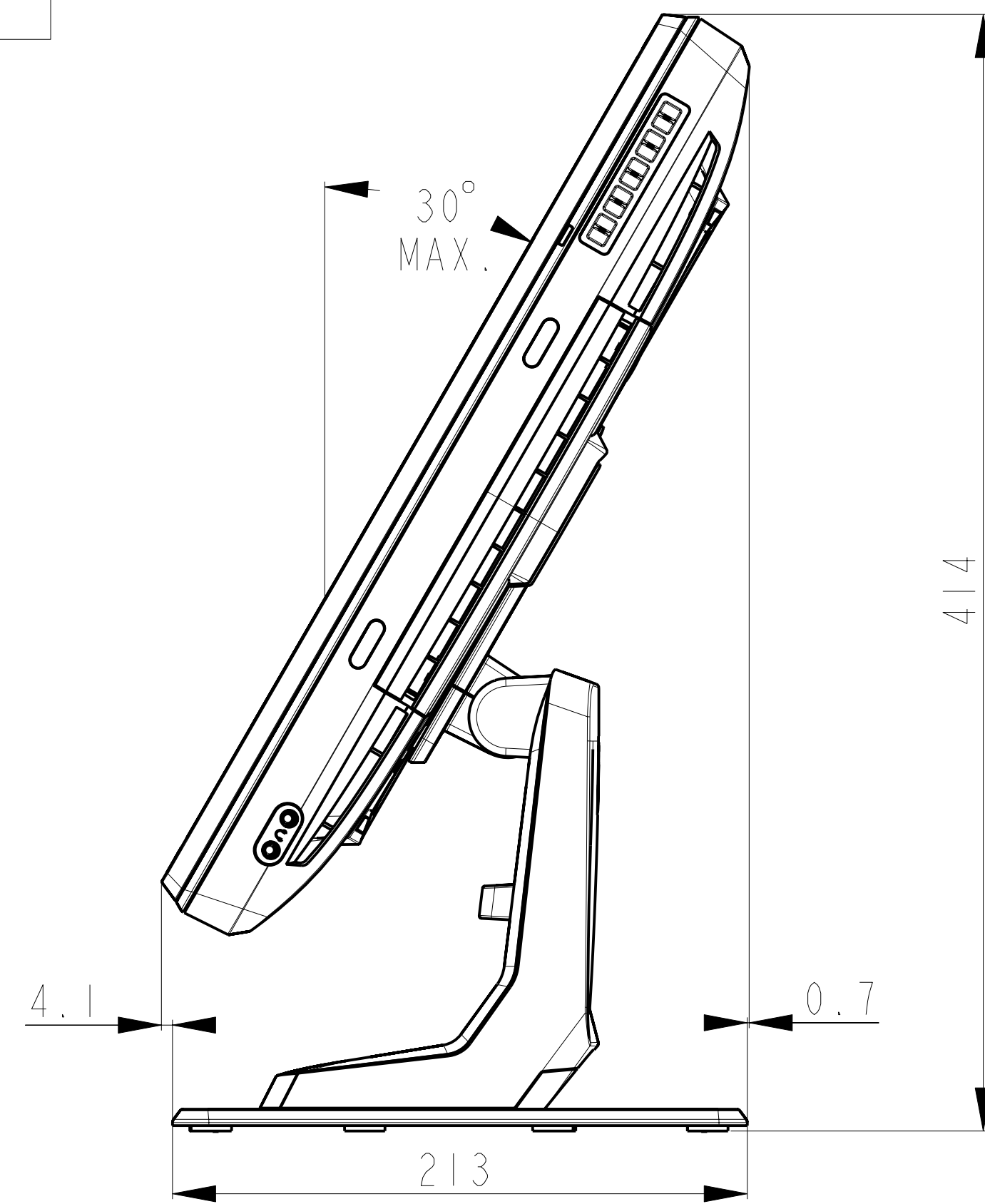


SCALE 0.500

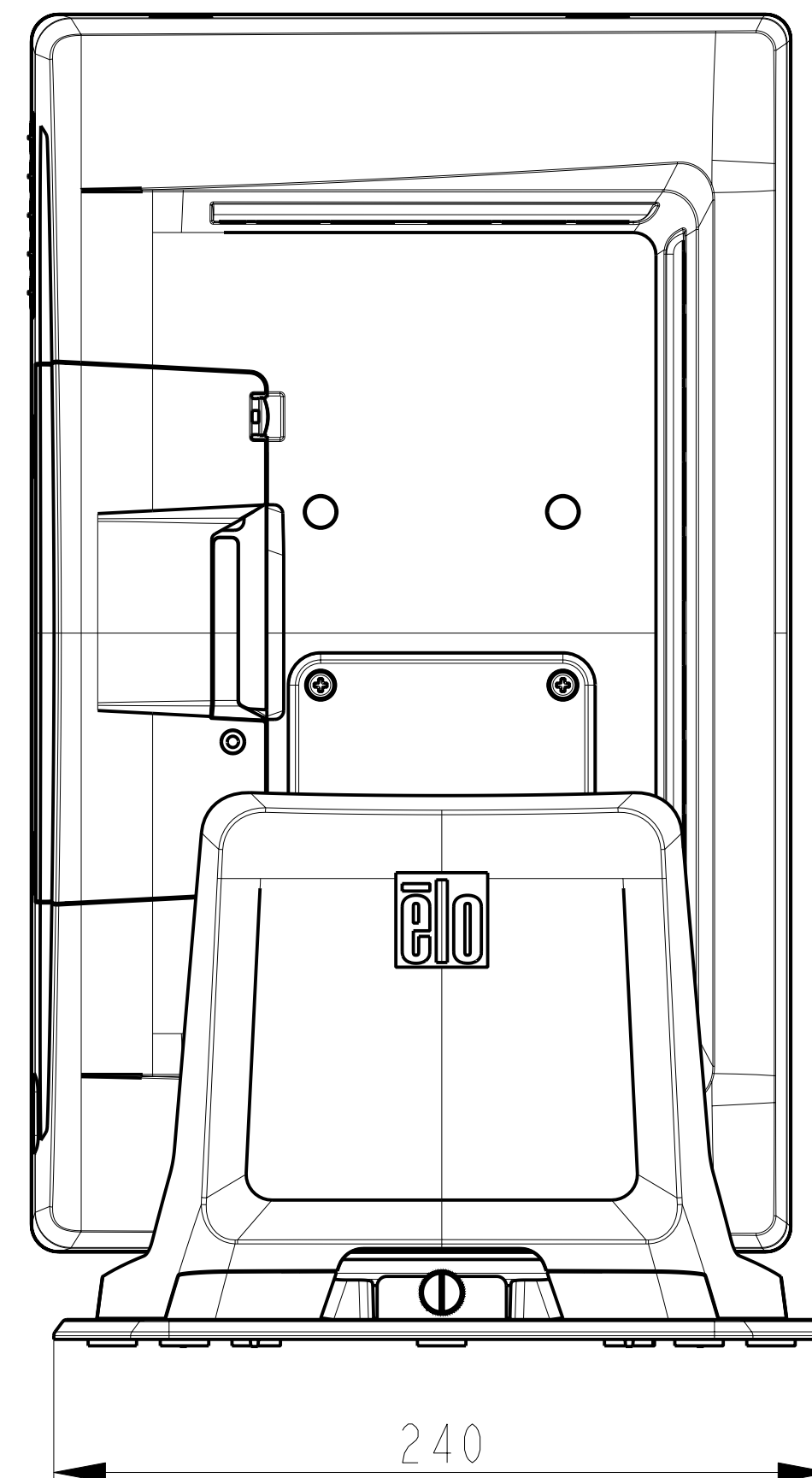
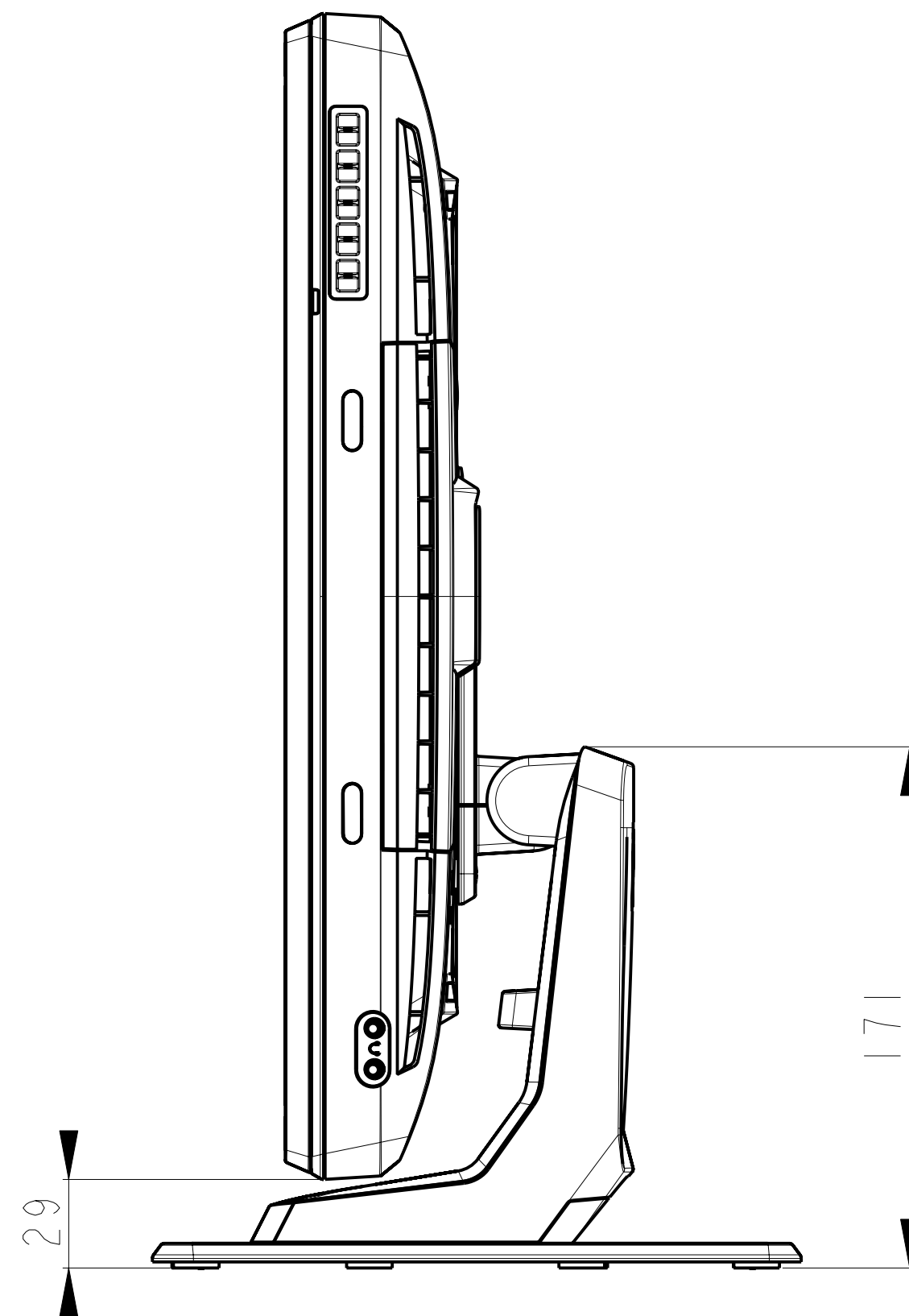
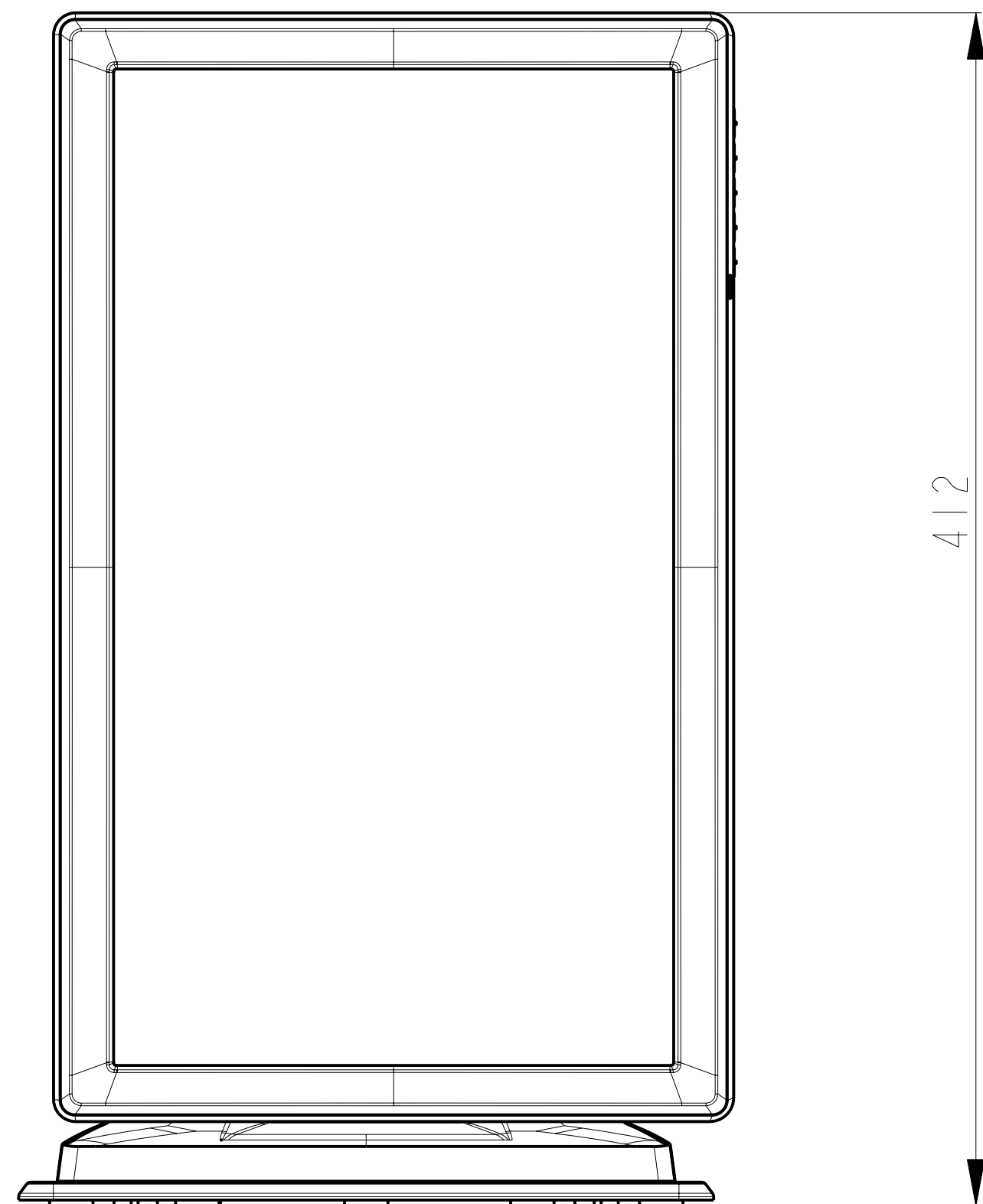




TILT: -5° FROM VERT



TILT: 30° MAX FROM VERT



DC INPUT POWER JACK
BARREL INNER DIAMETER: 6.4mm
PIN OUTER DIAMETER: 2.0mm
BARREL DEPTH: 8.8mm
INPUT VOLTAGE: 12VDC±5%

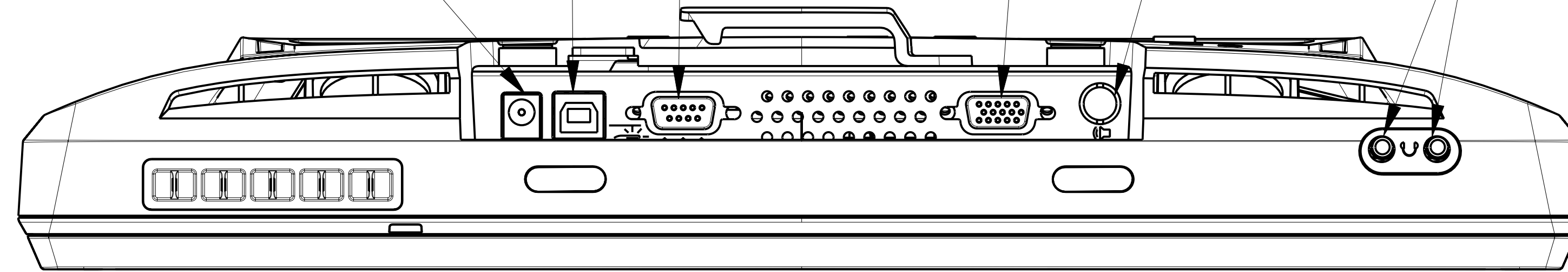
SERIAL TOUCH
(NOT APPLICABLE TO APR)

AUDIO INPUT
3.5mm TRS JACK
1Vrms MAXIMUM

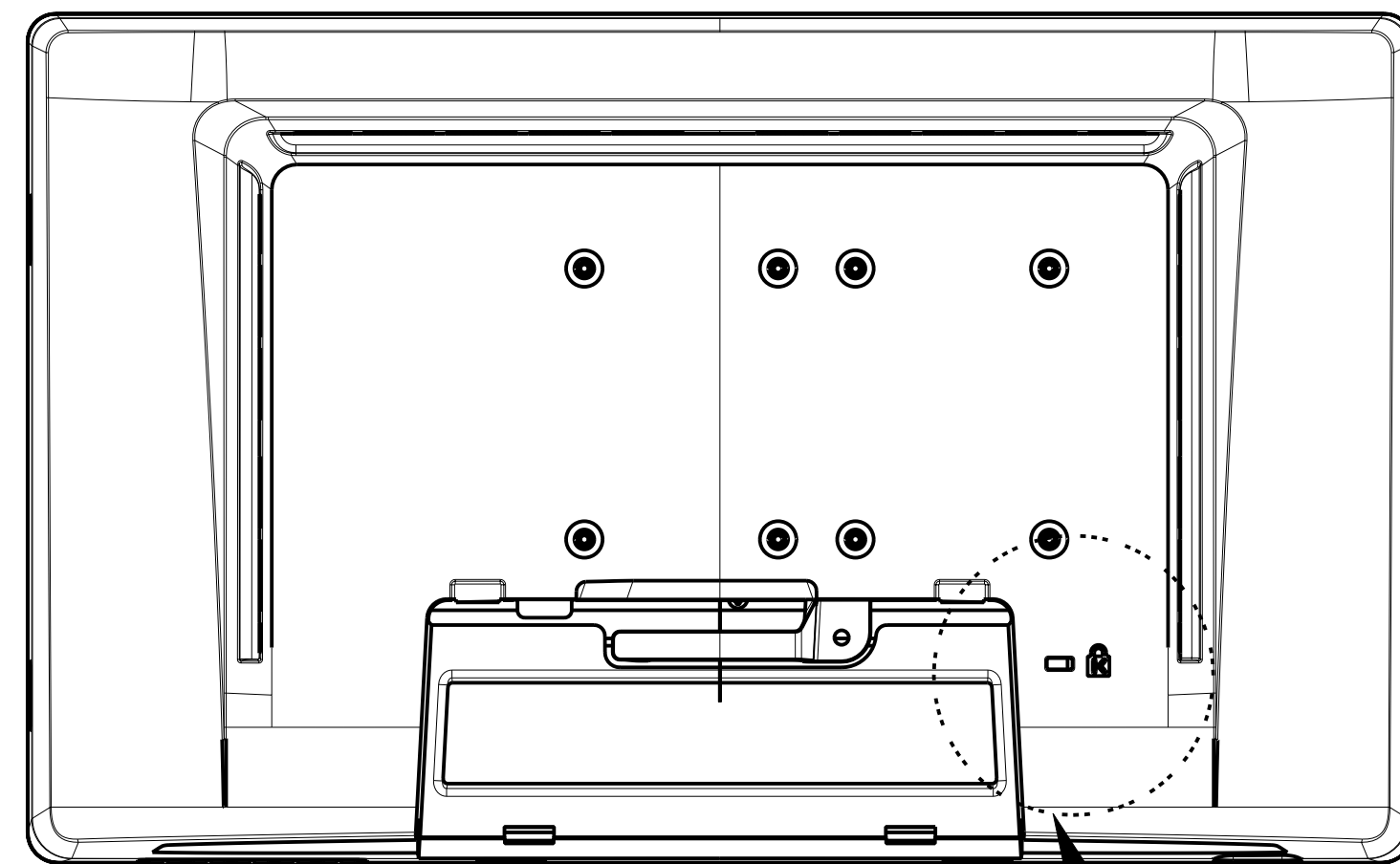
USB TOUCH

VGA

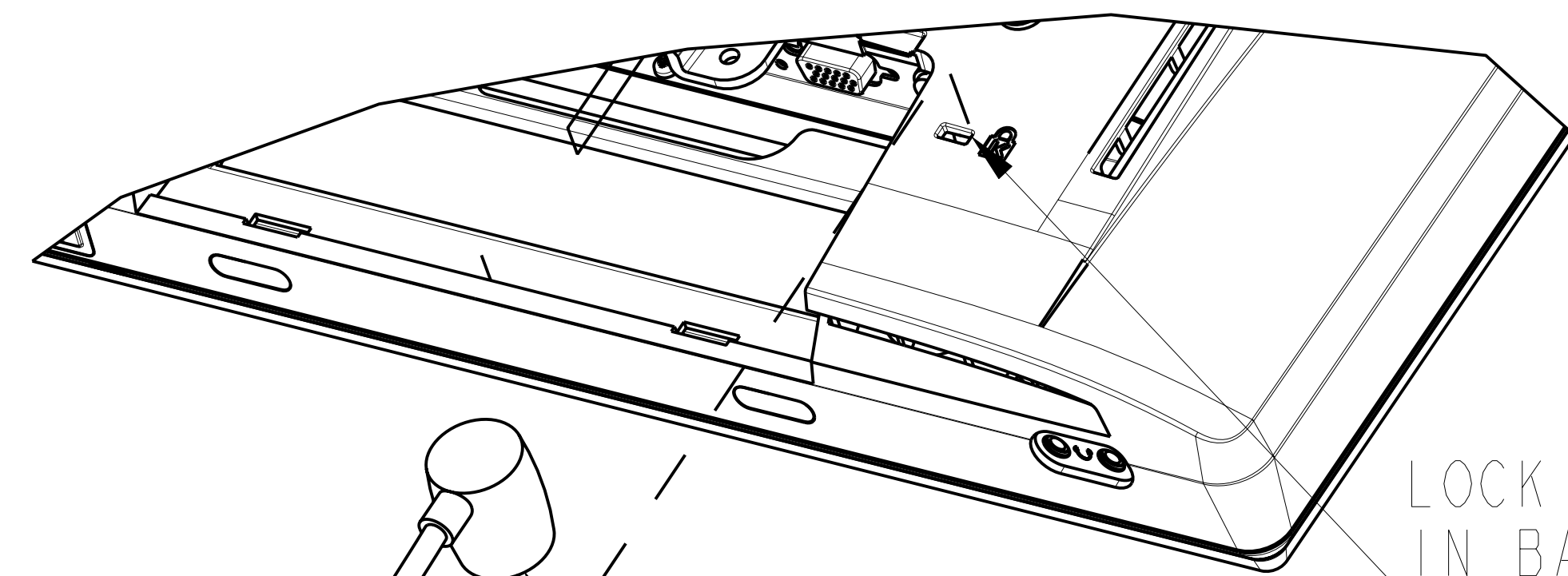
HEADPHONE OUTPUTS
TWO 3.5mm TRS JACKS



KENSINGTON LOCK DETAIL



KENSINGTON LOCK
RECEPTACLE

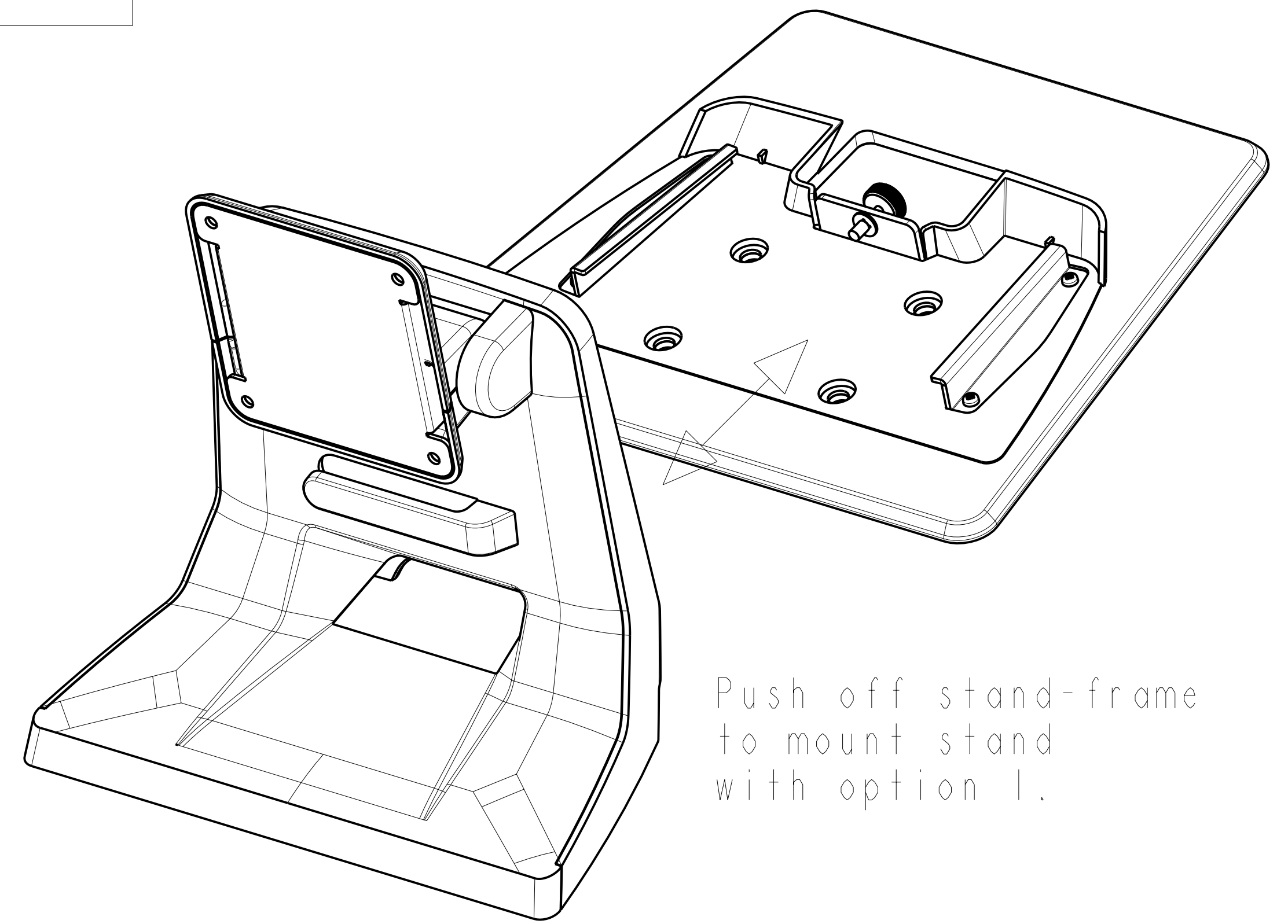
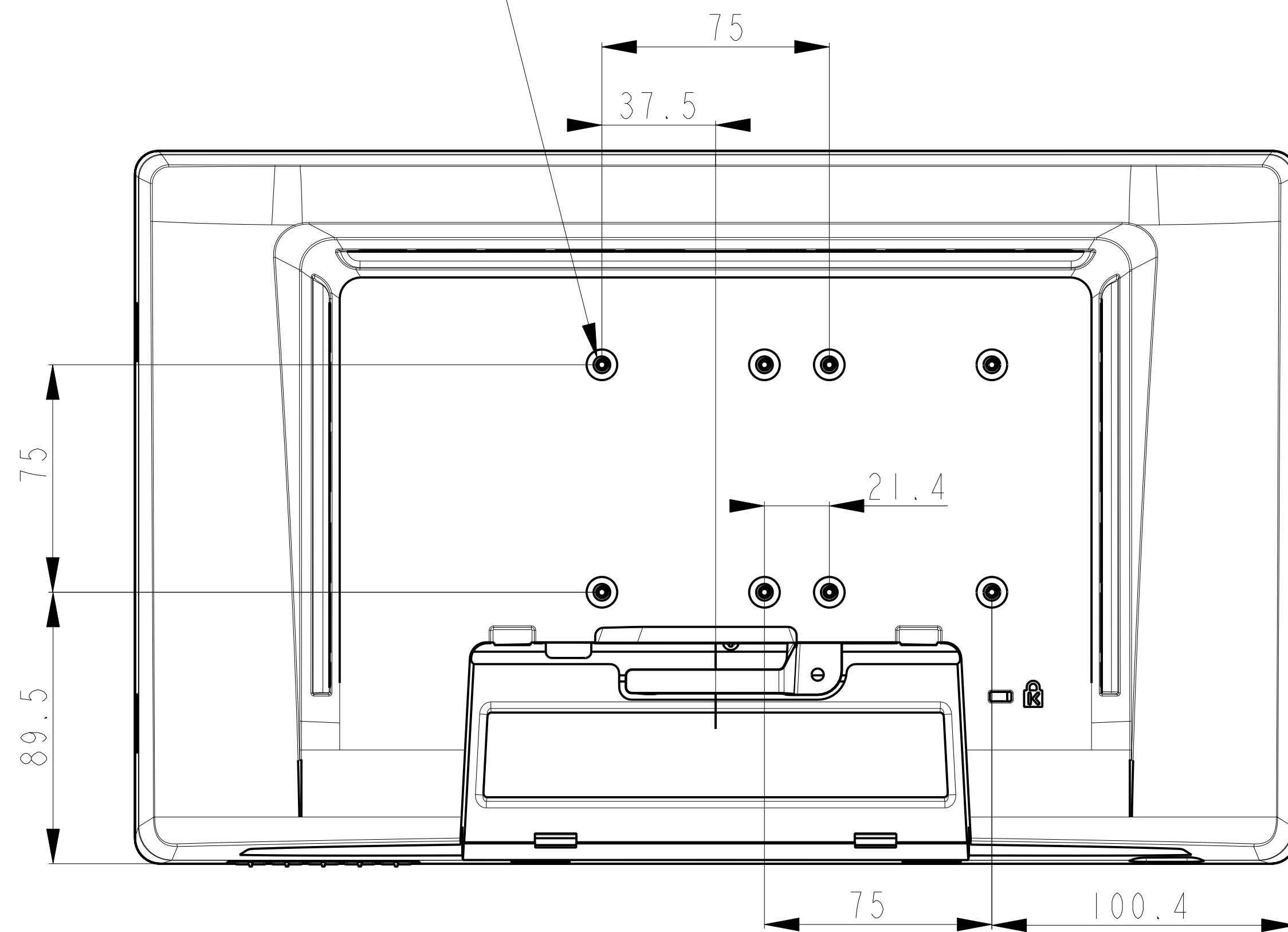


KENSINGTON CABLE LOCK
(SUPPLIED BY OTHERS)

LOCK RECEPTICAL
IN BACK COVER

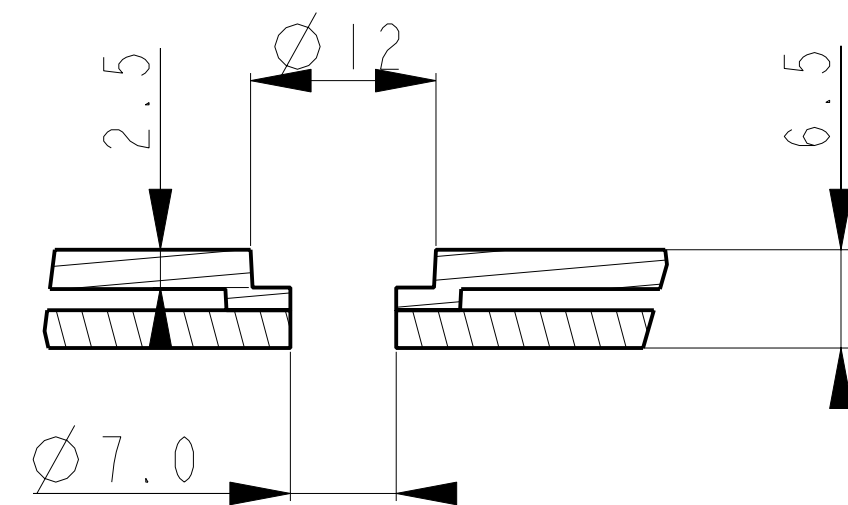
VESA MOUNT

M4 THREAD, MAX. DEPTH 6mm
(X8)

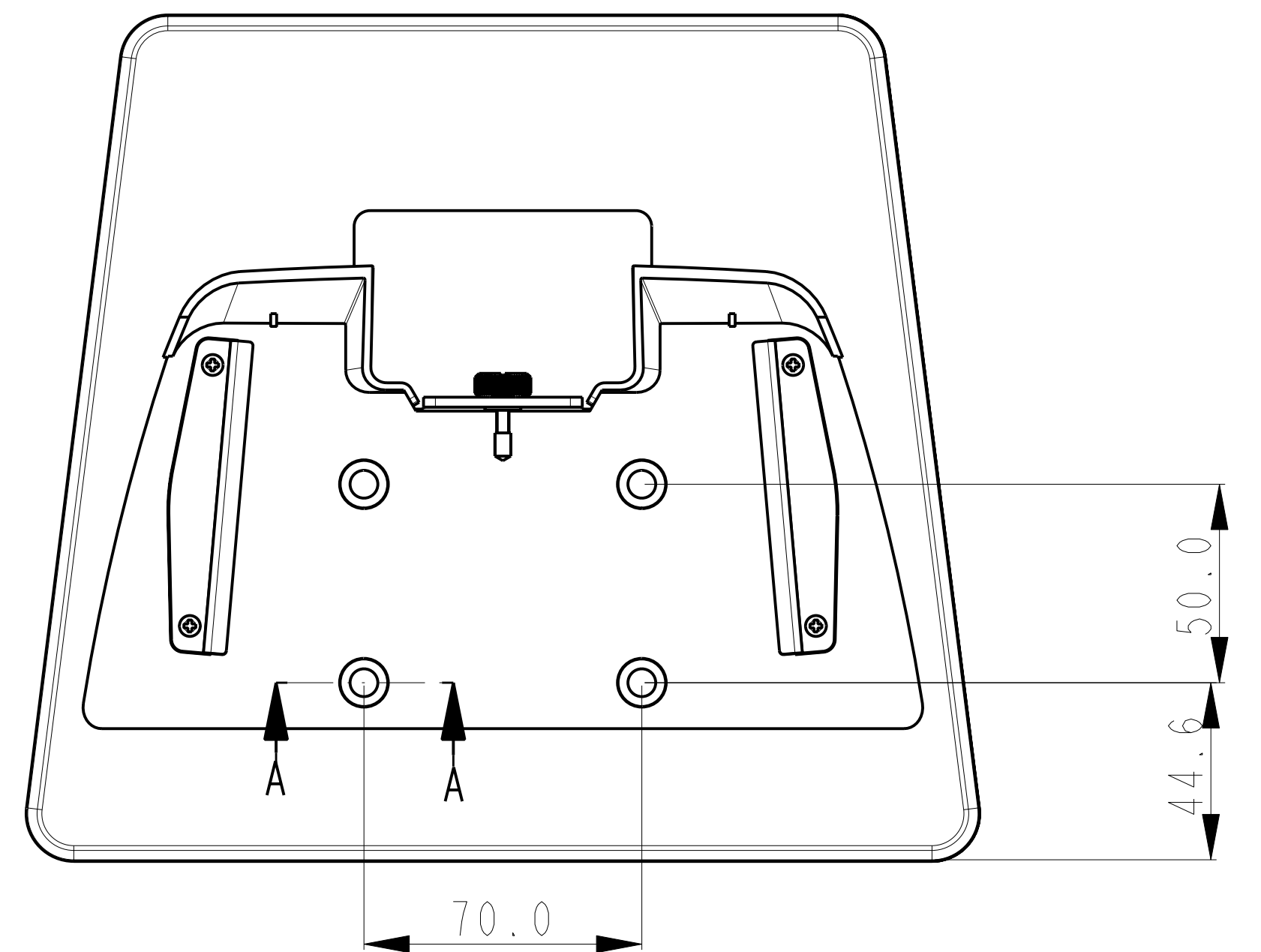


Push off stand-frame
to mount stand
with option 1.

Option 1



SECTION A-A
SCALE 2.000



Top View