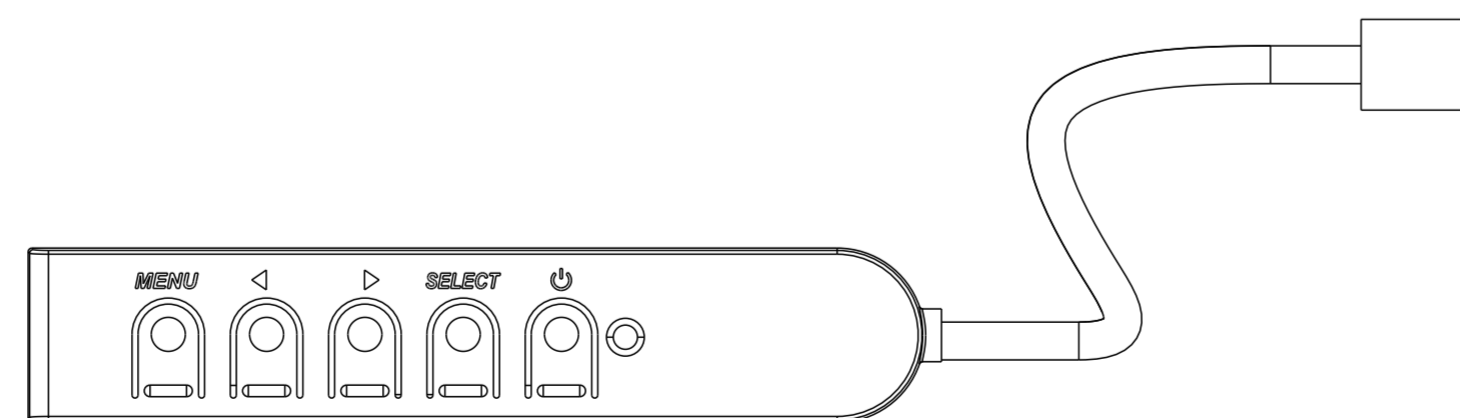
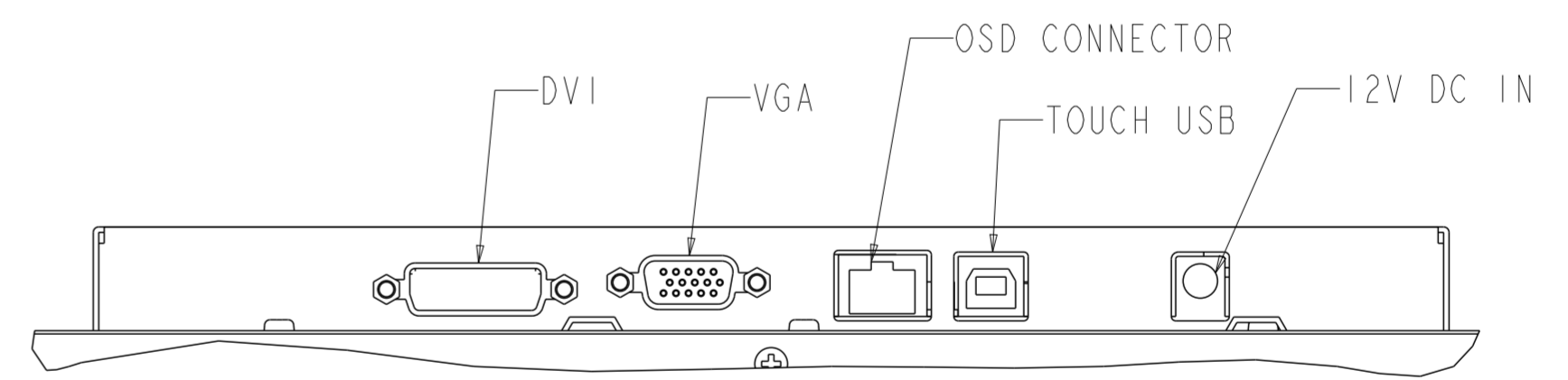
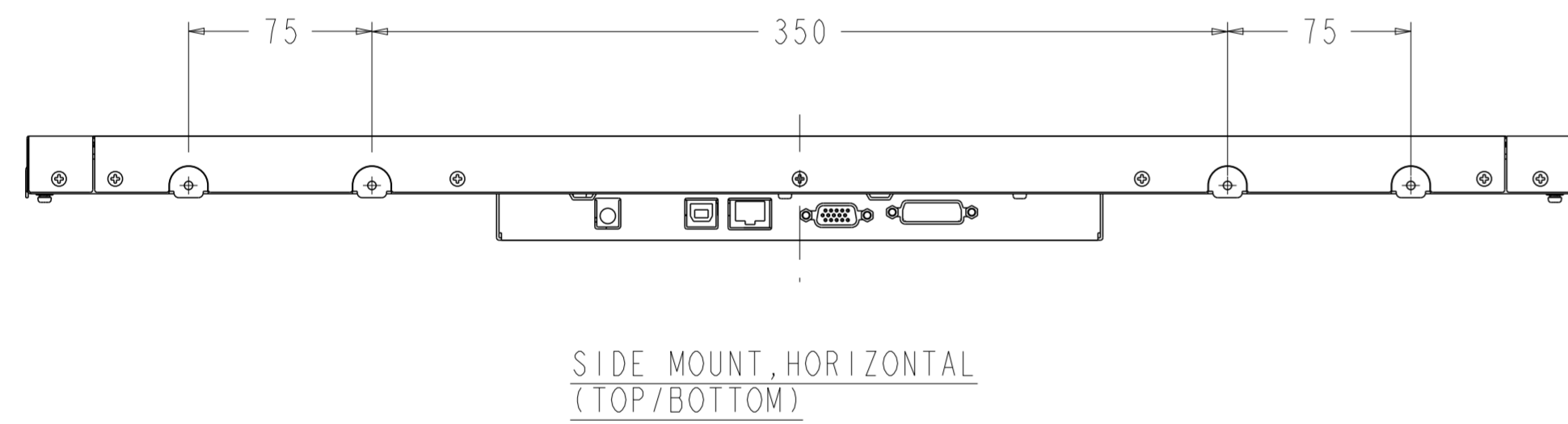
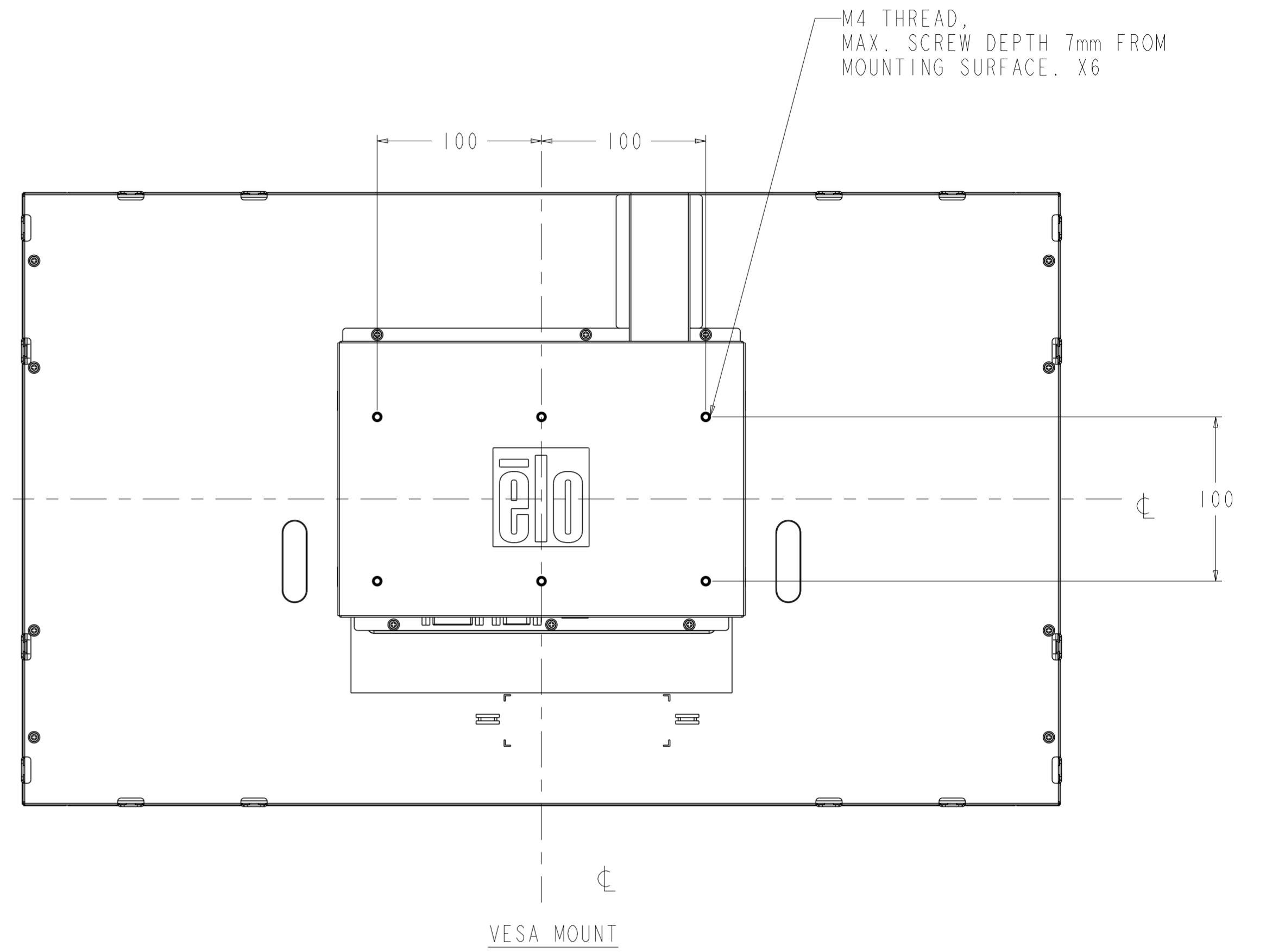
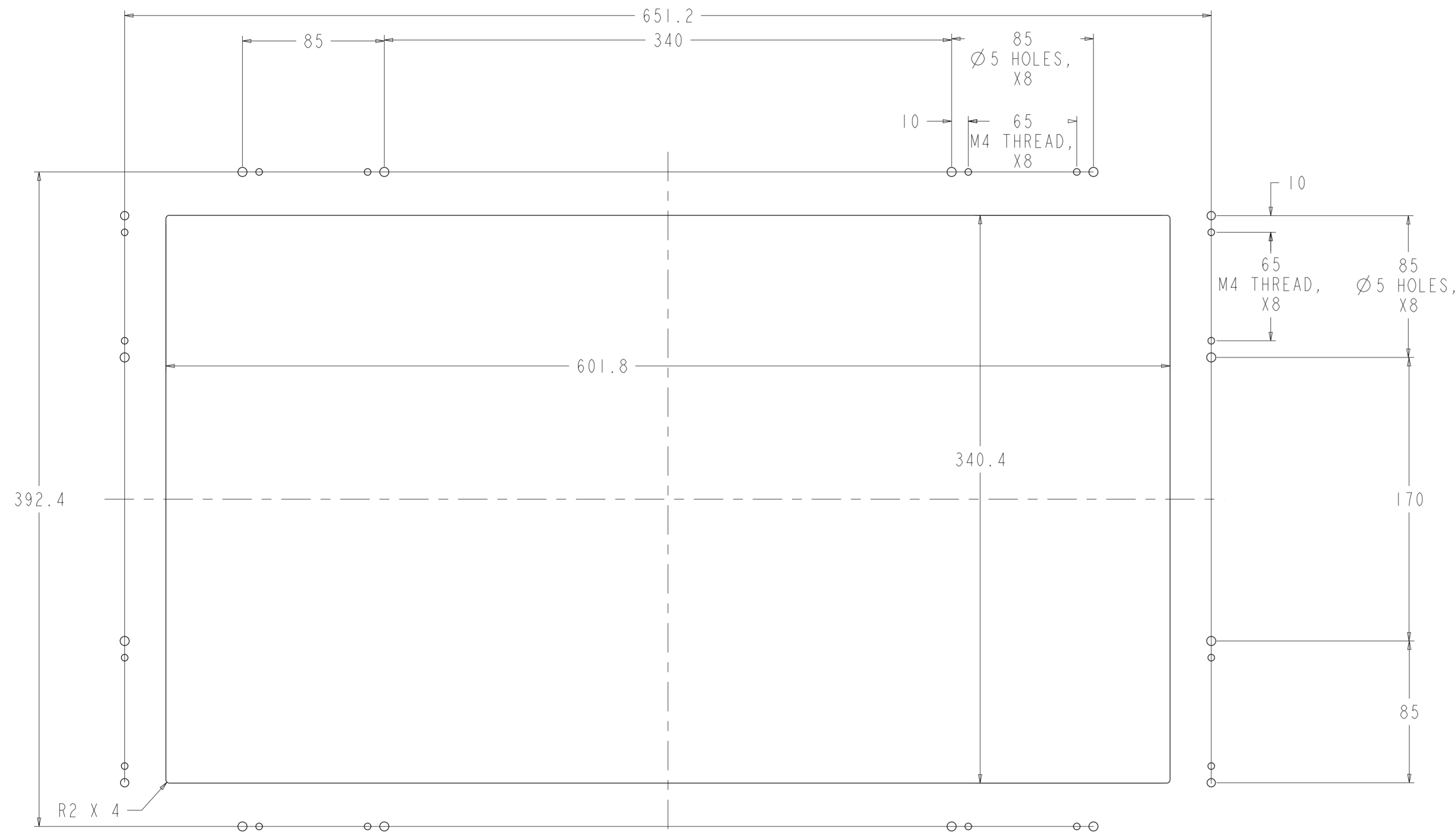


SIDE MOUNT, VERTICAL  
(LEFT/RIGHT)

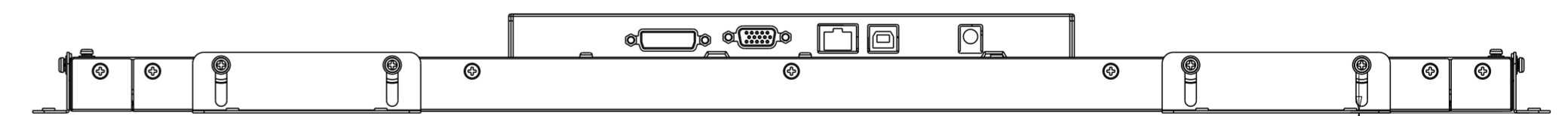
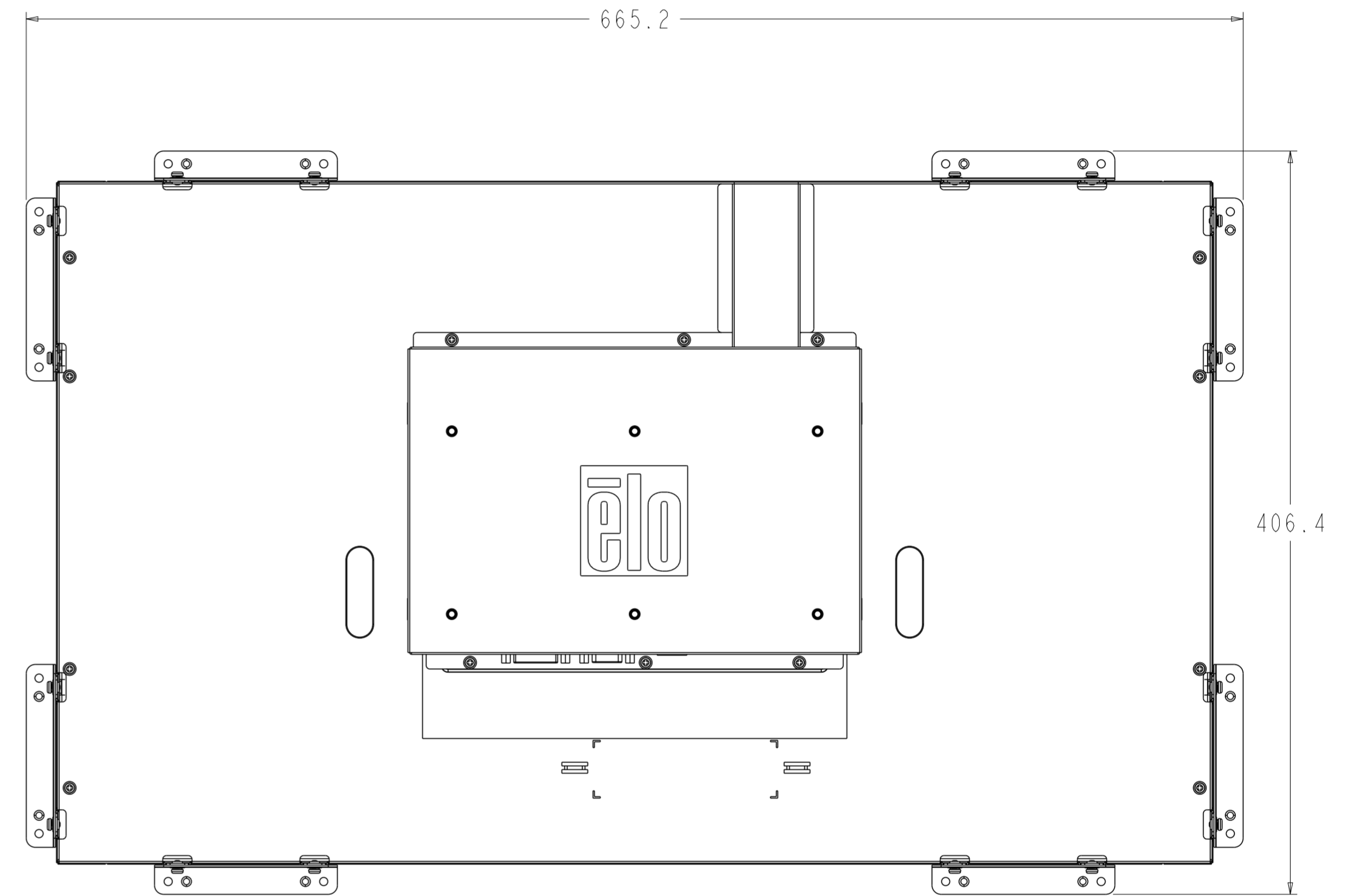


OPTIONAL OSD REMOTE P/N E483757  
(1 INCLUDED WITH TOUCH MONITOR)

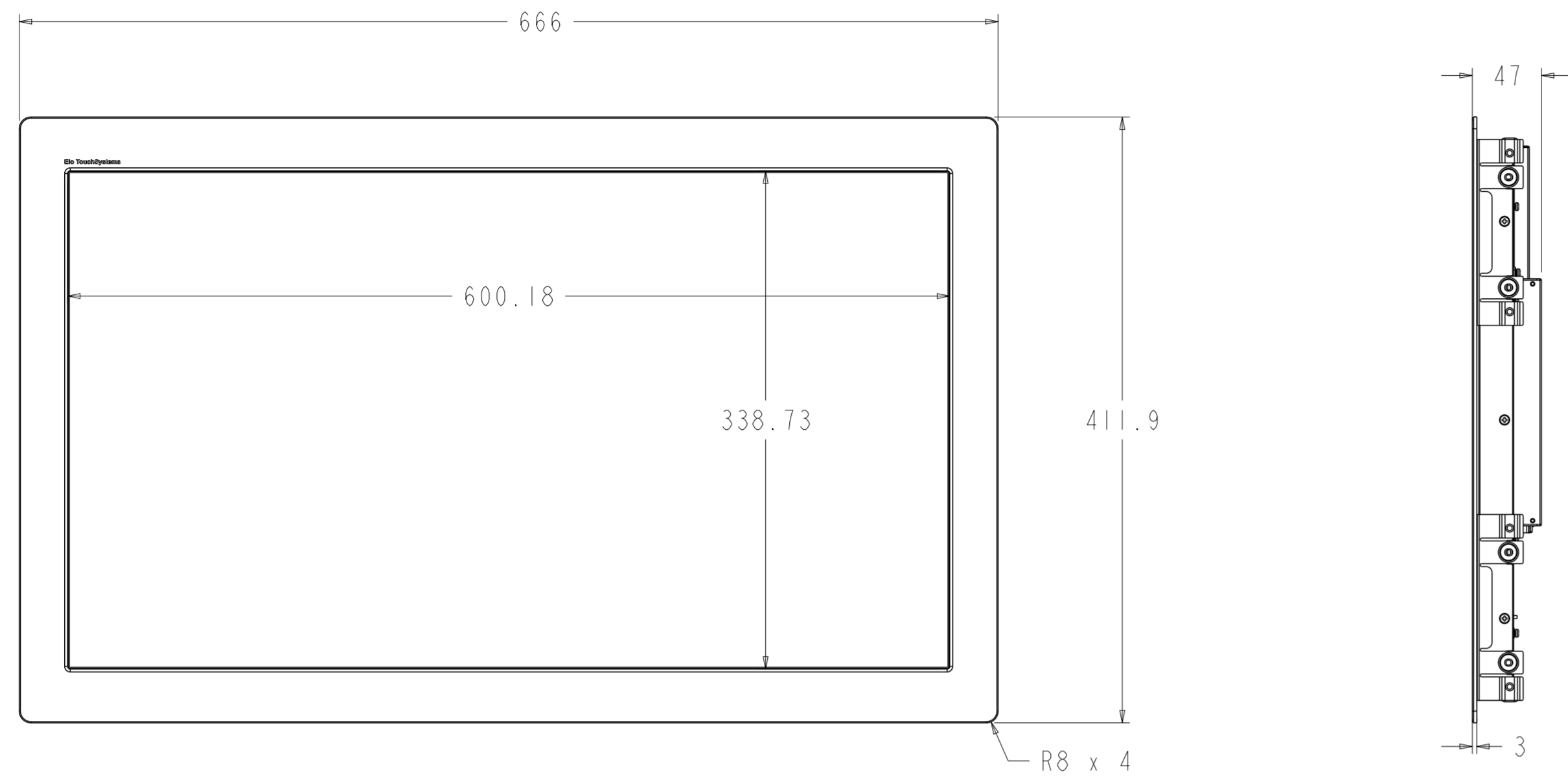
# MOUNTING WITH ADJUSTABLE BRACKETS (8 PROVIDED)



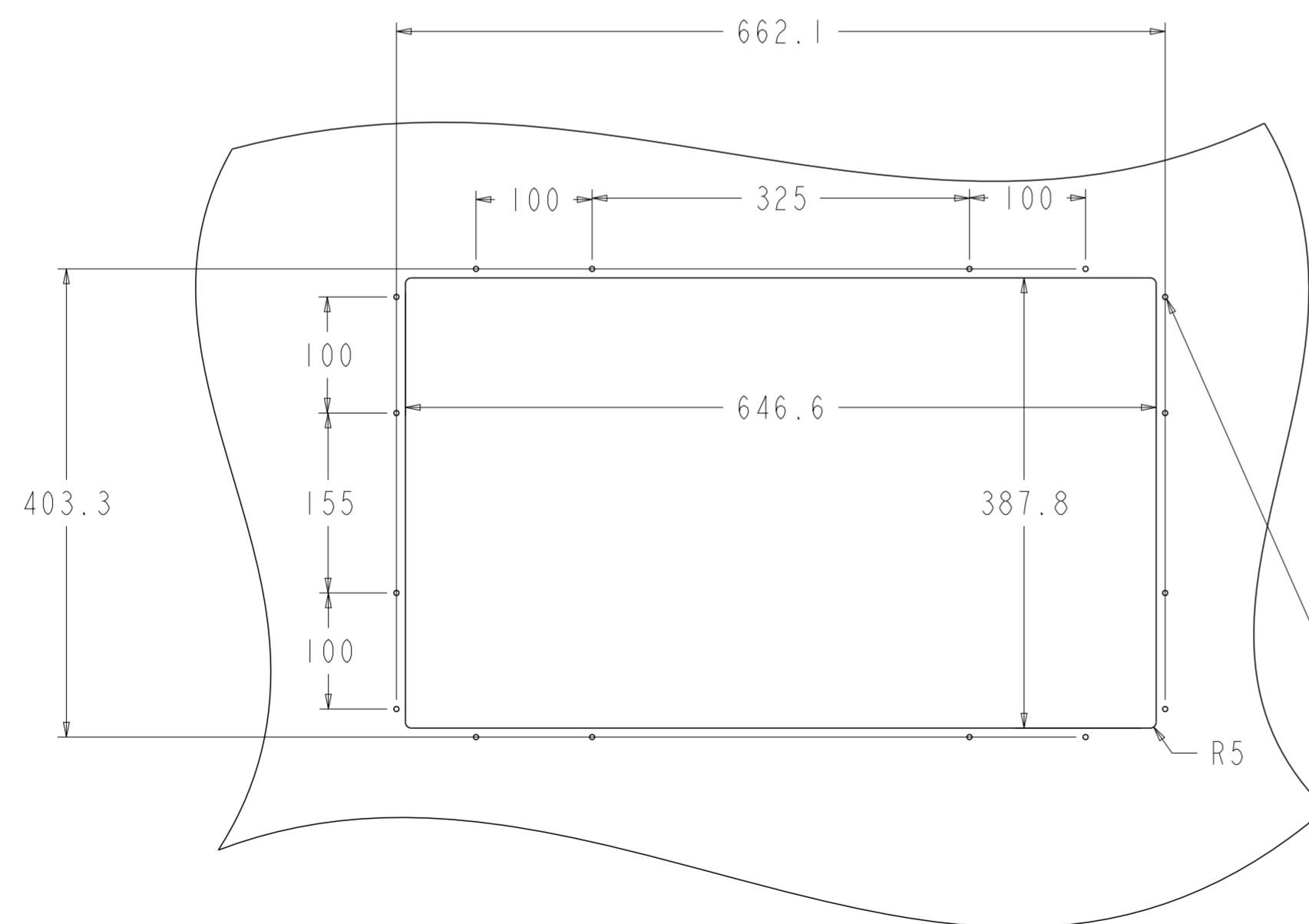
RECOMMENDED CUSTOMER PANEL CUT-OUT



OPERATIONAL FRONT MOUNT BEZEL KIT - P/N E589935  
 (ORDERED SEPARATELY, CUSTOMER ASSEMBLED)



FRONT MOUNT BEZEL



RECOMMENDED CUSTOMER PANEL CUT-OUT

MOUNTING HOLES, X 16  
 1. IF CUSTOMER PANEL IS WOOD,  
 Ø4.5MM THRU HOLES FOR M4 SCREWS OR  
 NO THRU HOLES, SCREWS FOR WOOD Ø4MM;  
 2. IF CUSTOMER PANEL IS SHEET METAL,  
 CONCEALED HEAD THREADED STUDS M4 WITH NUTS;

