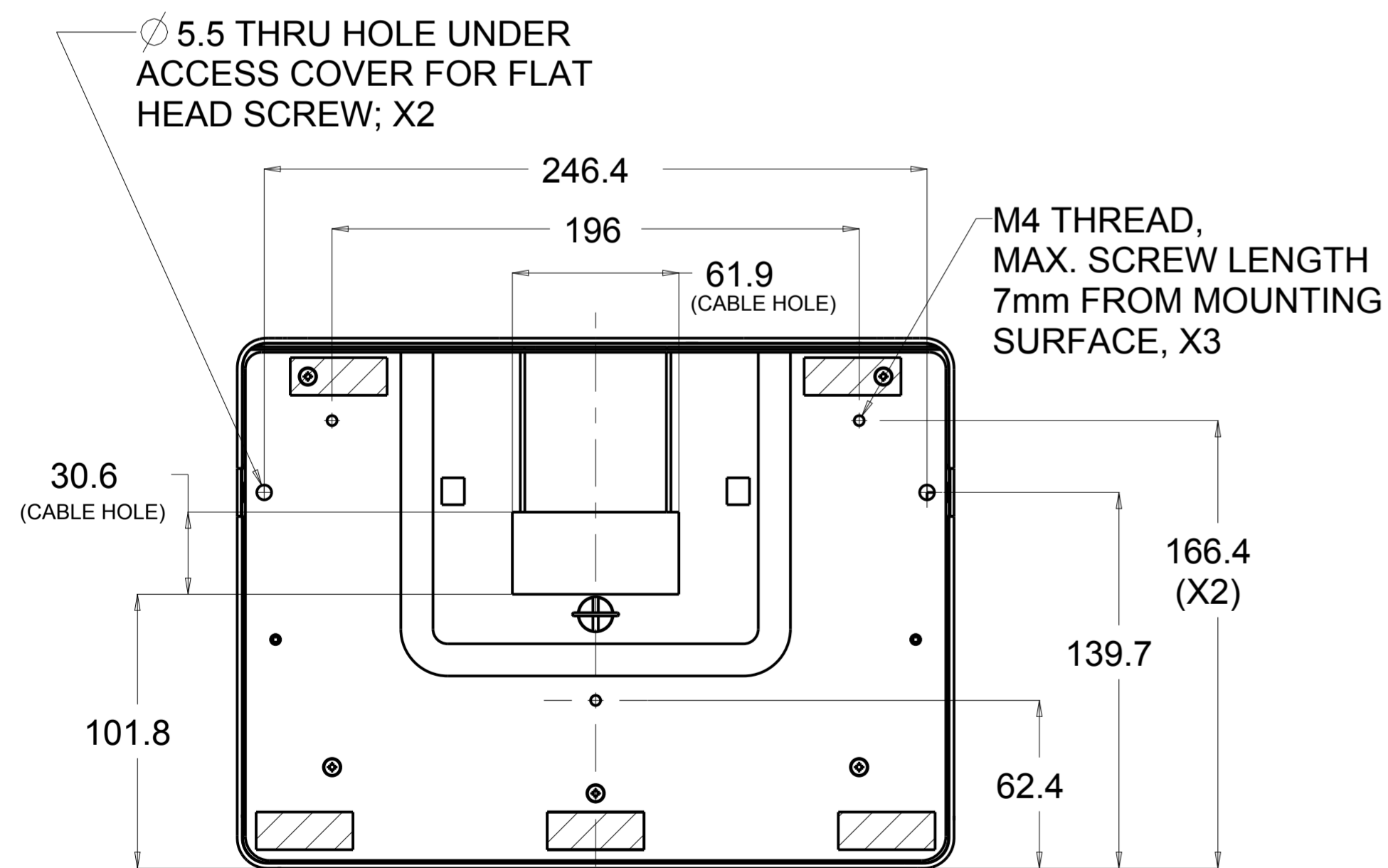
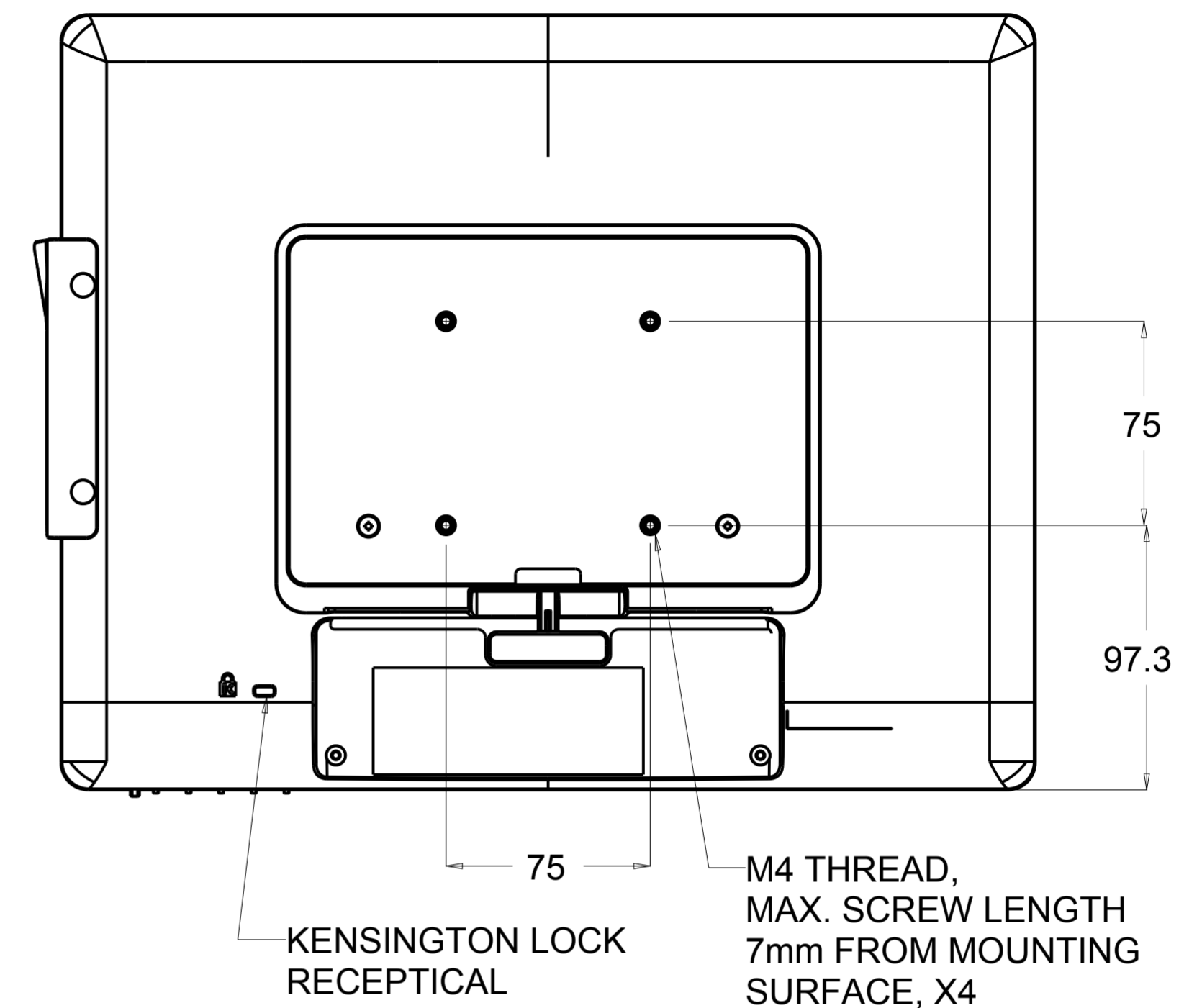
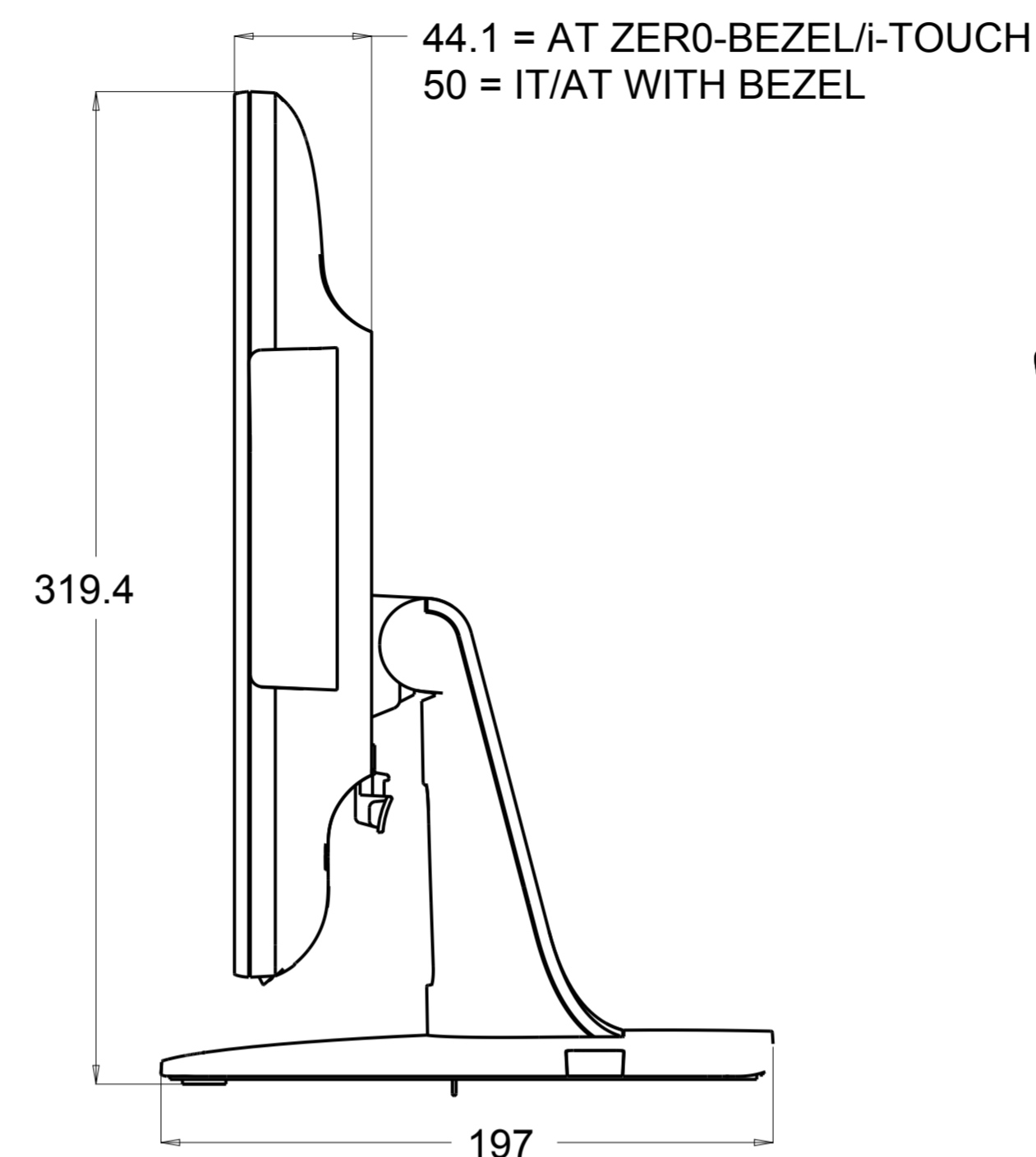
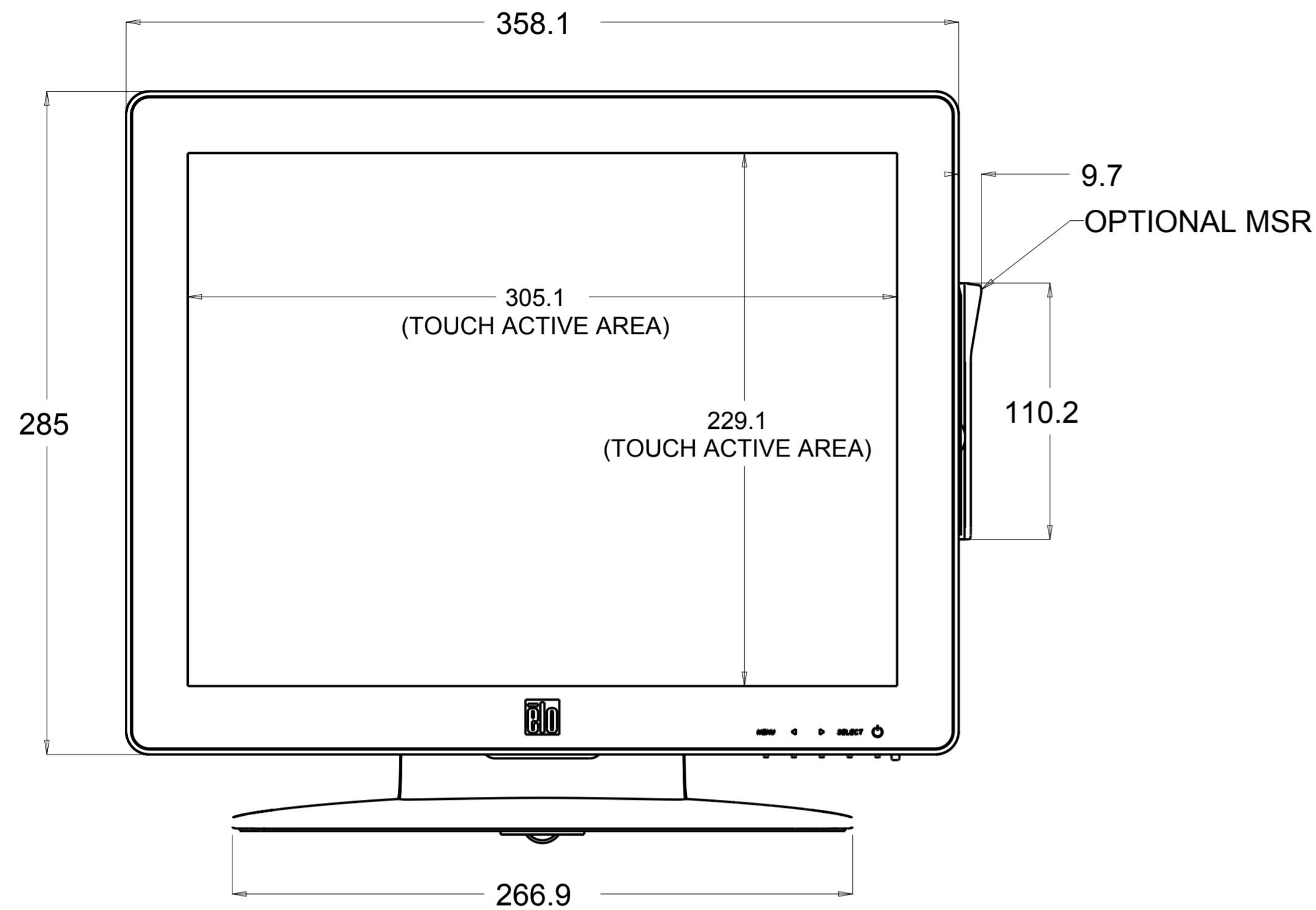
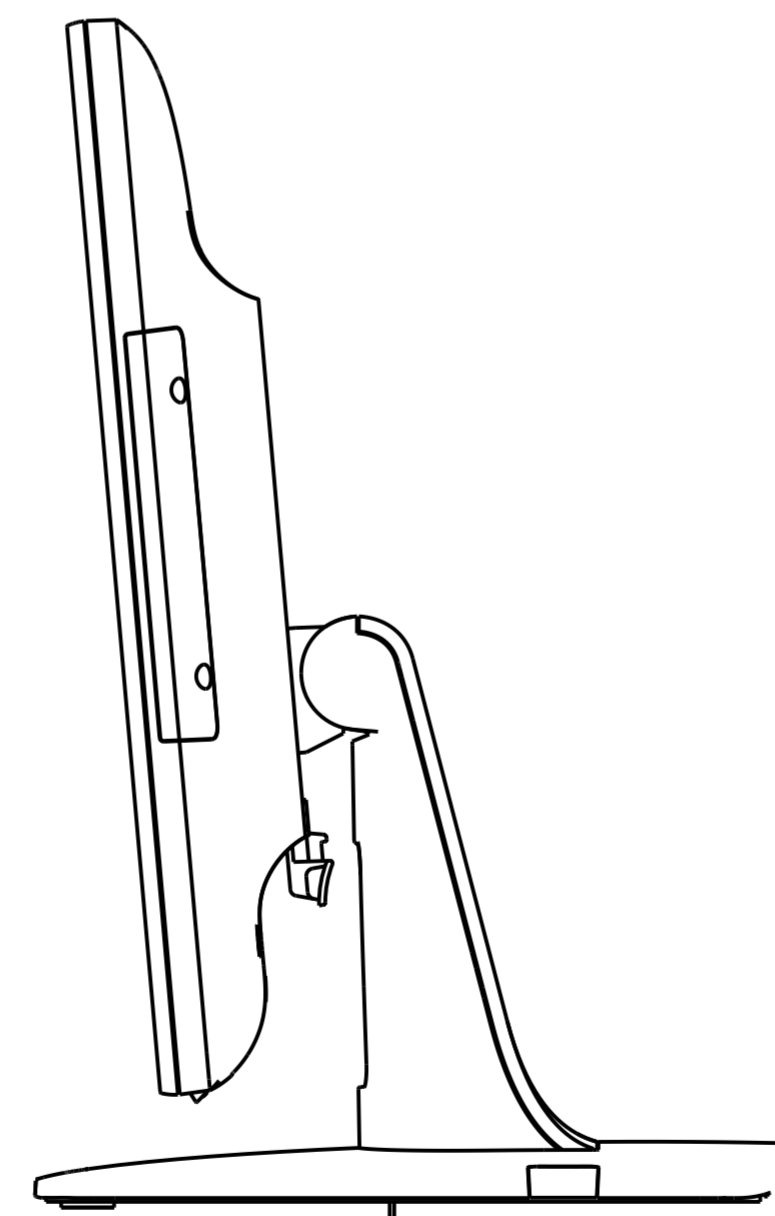


DIMENSIONAL DRAWING, 1517L/1717L

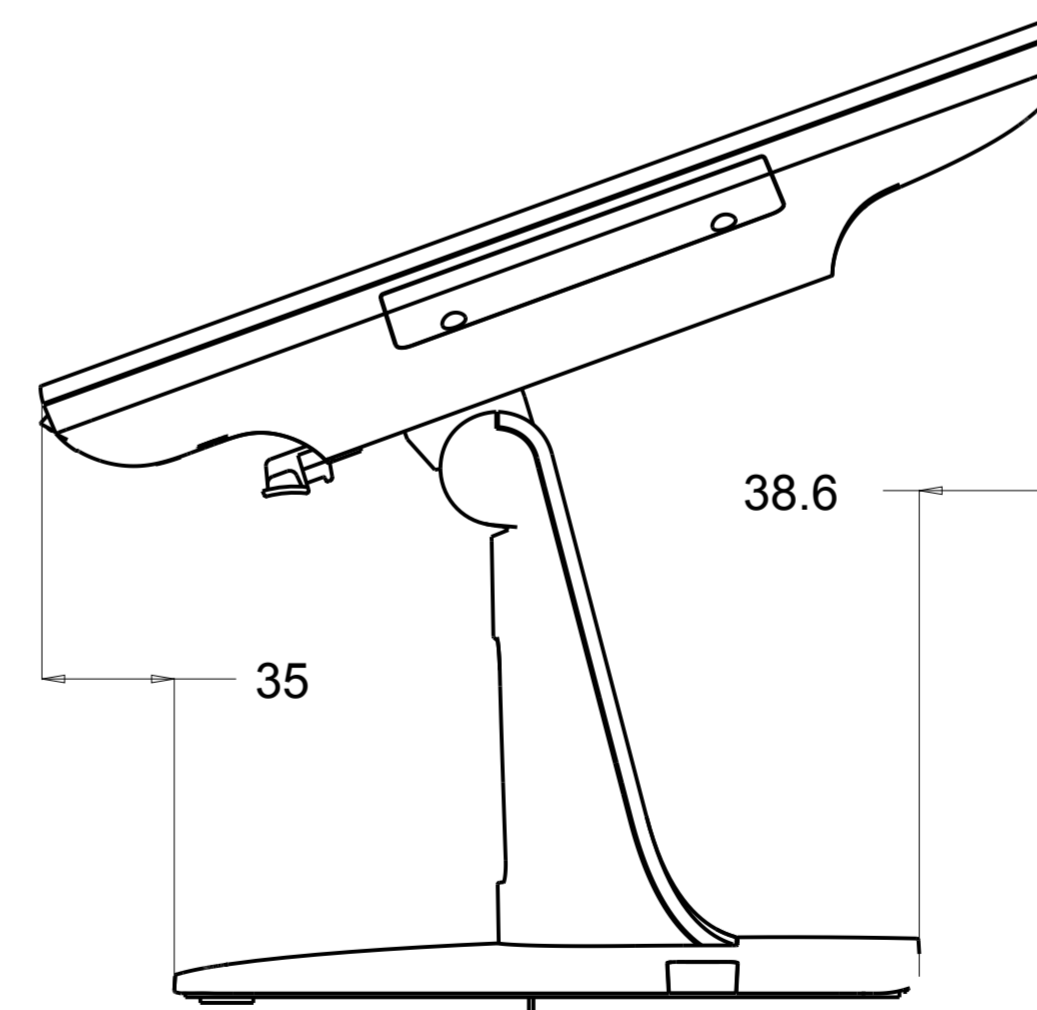
SEE PG. 2 FOR 1717
 SEE PG. 3 FOR 0700 MOUNTING BRACKET,
 VESA FILLER PLATE



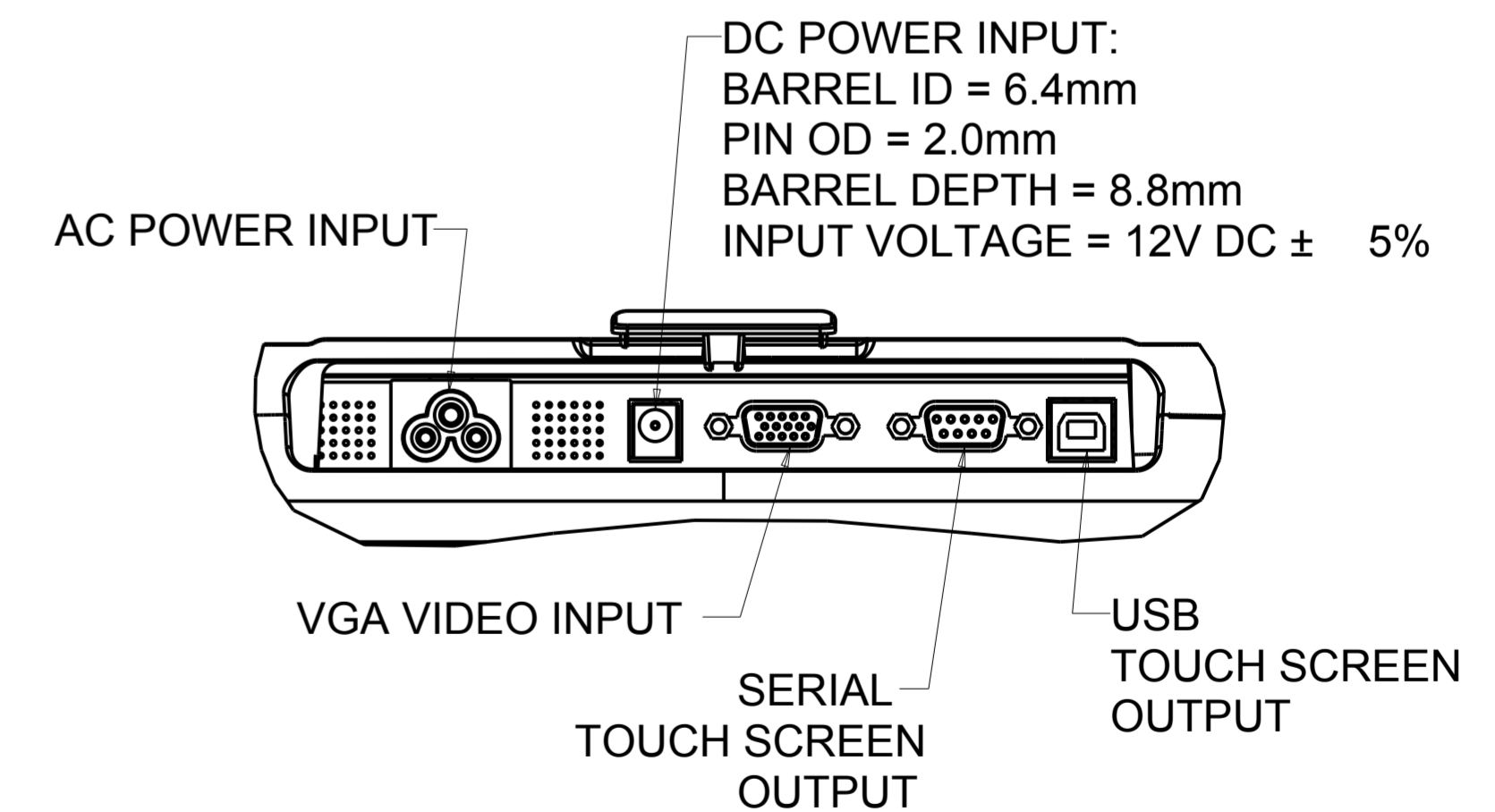
1517 STAND BOTTOM VIEW



TILT -5° FROM VERTICAL

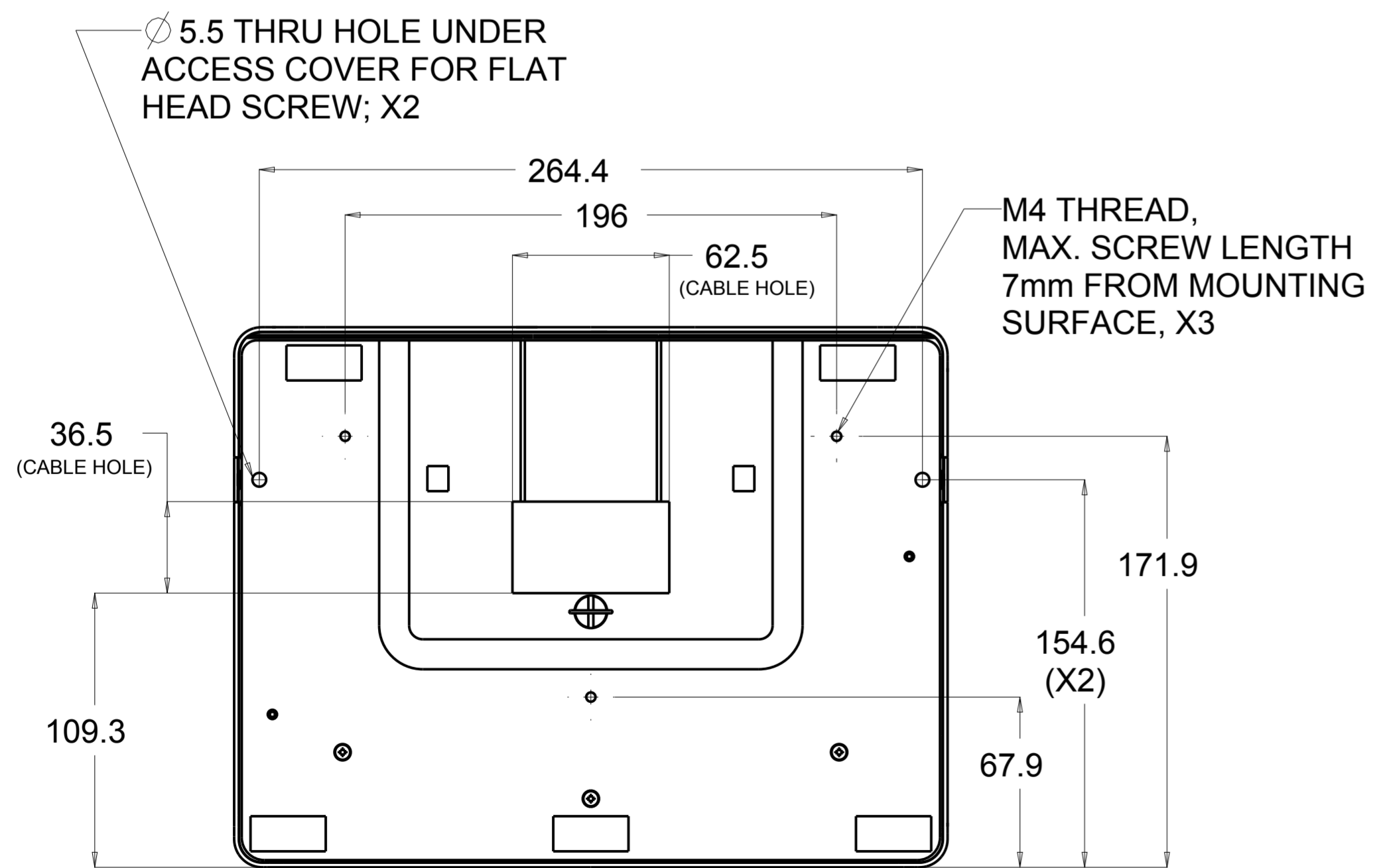
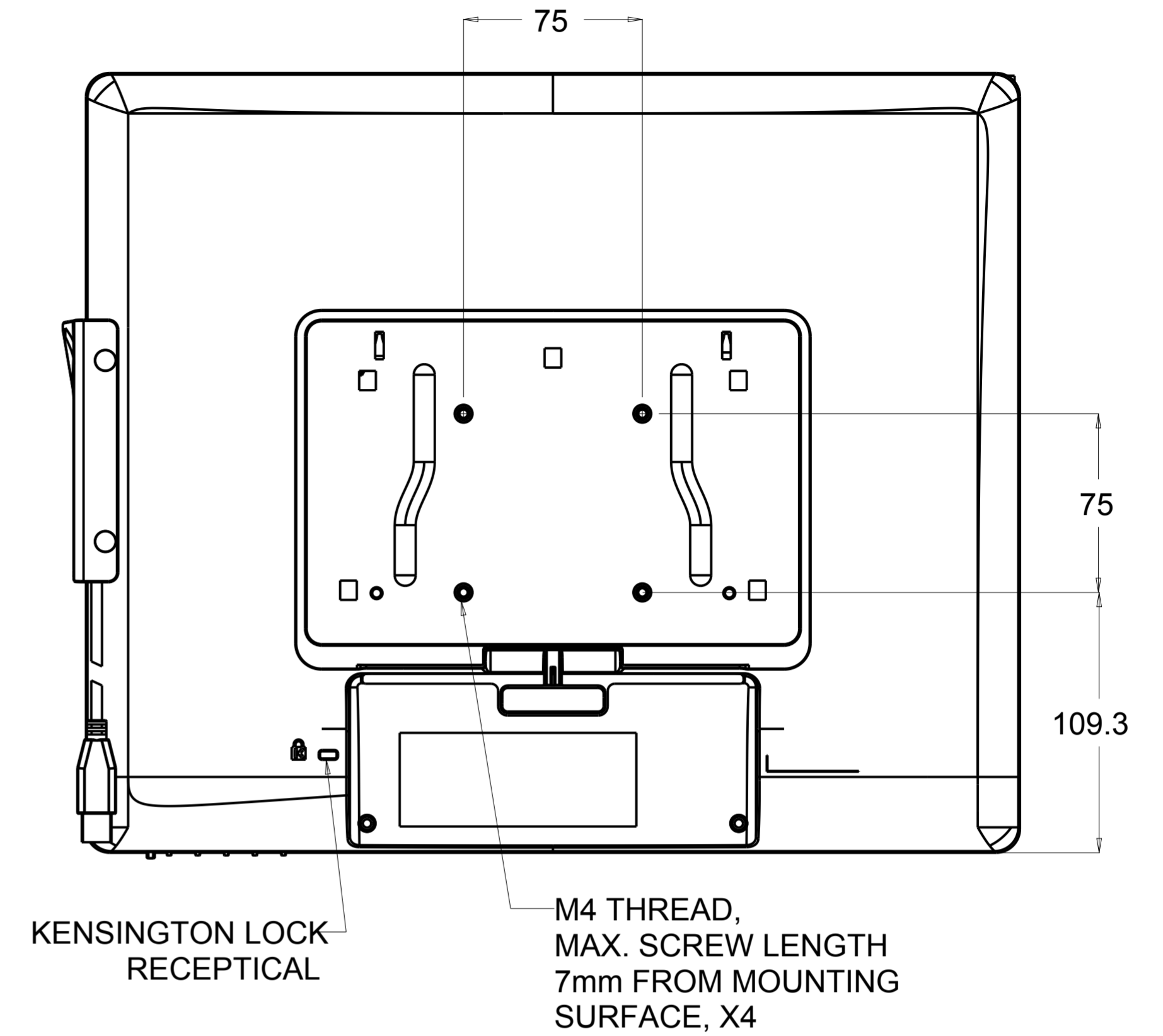
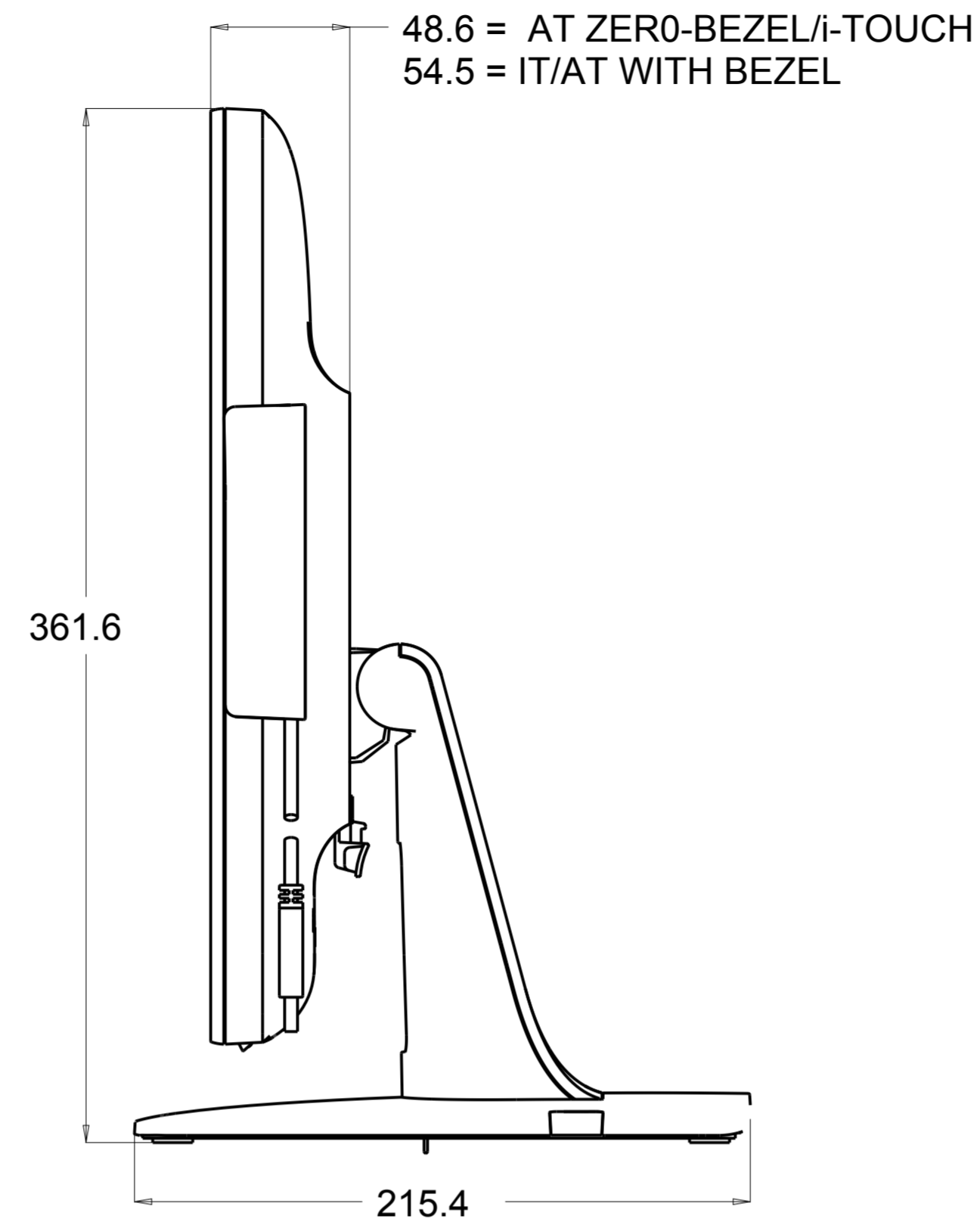
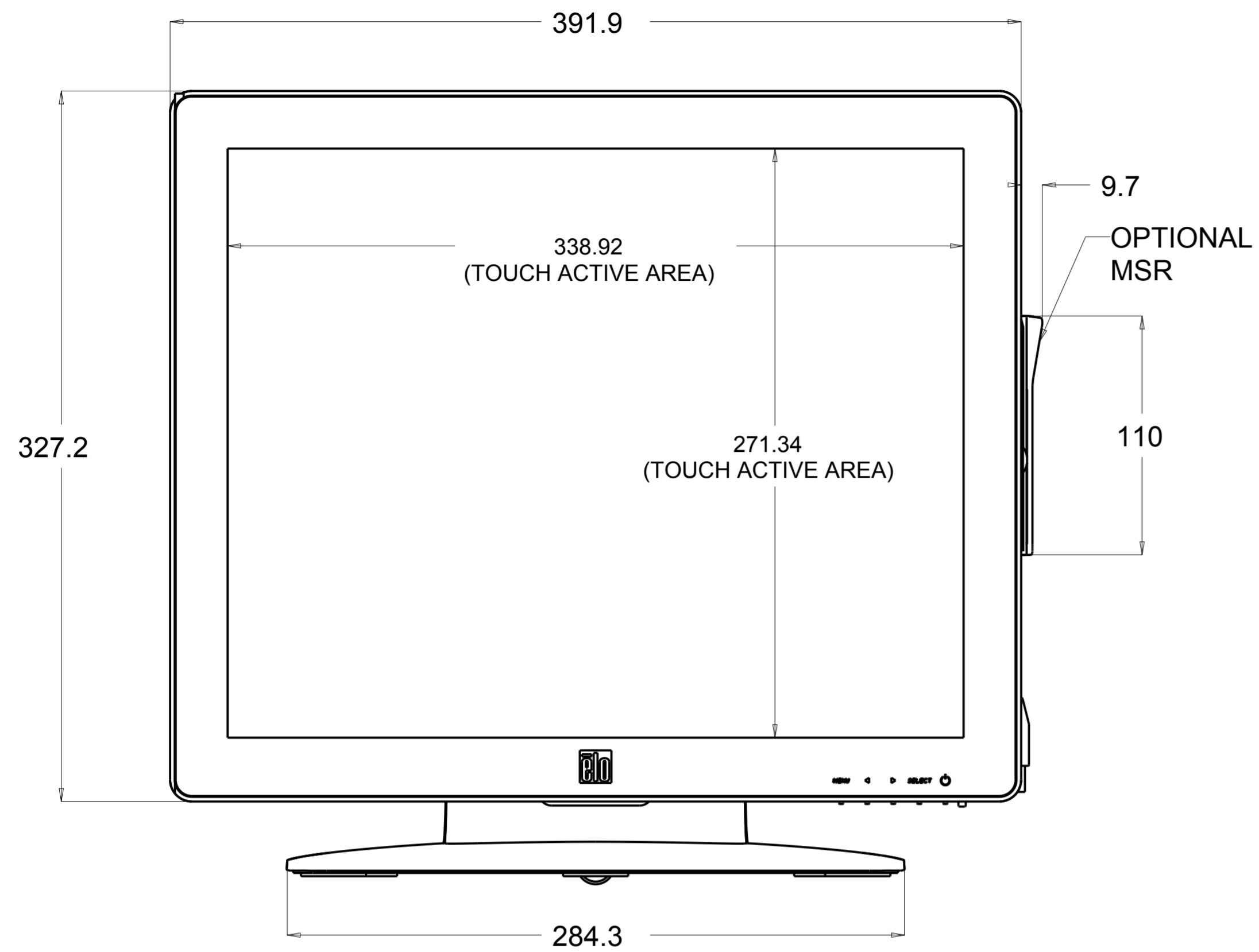


TILT 70° FROM VERTICAL

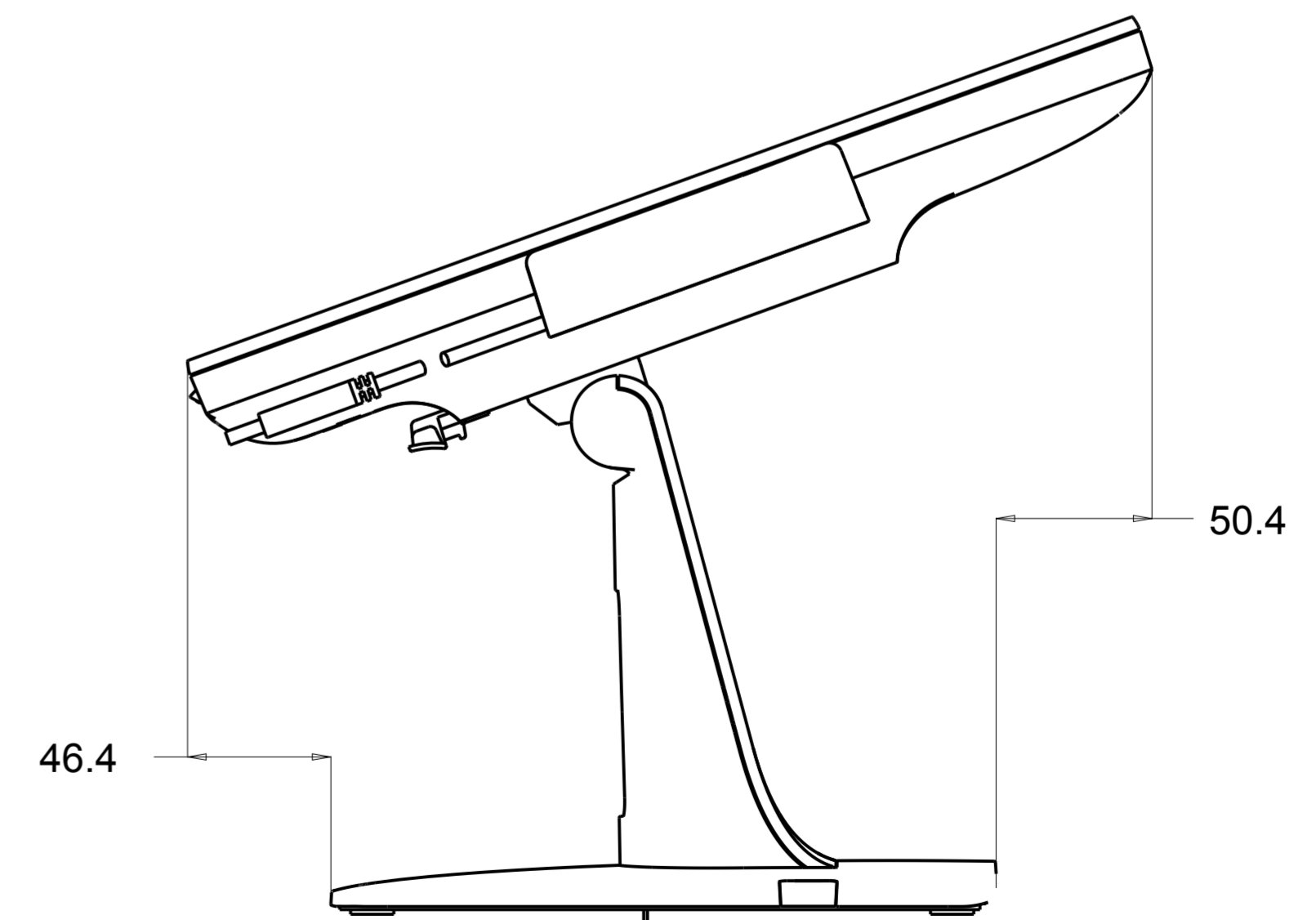
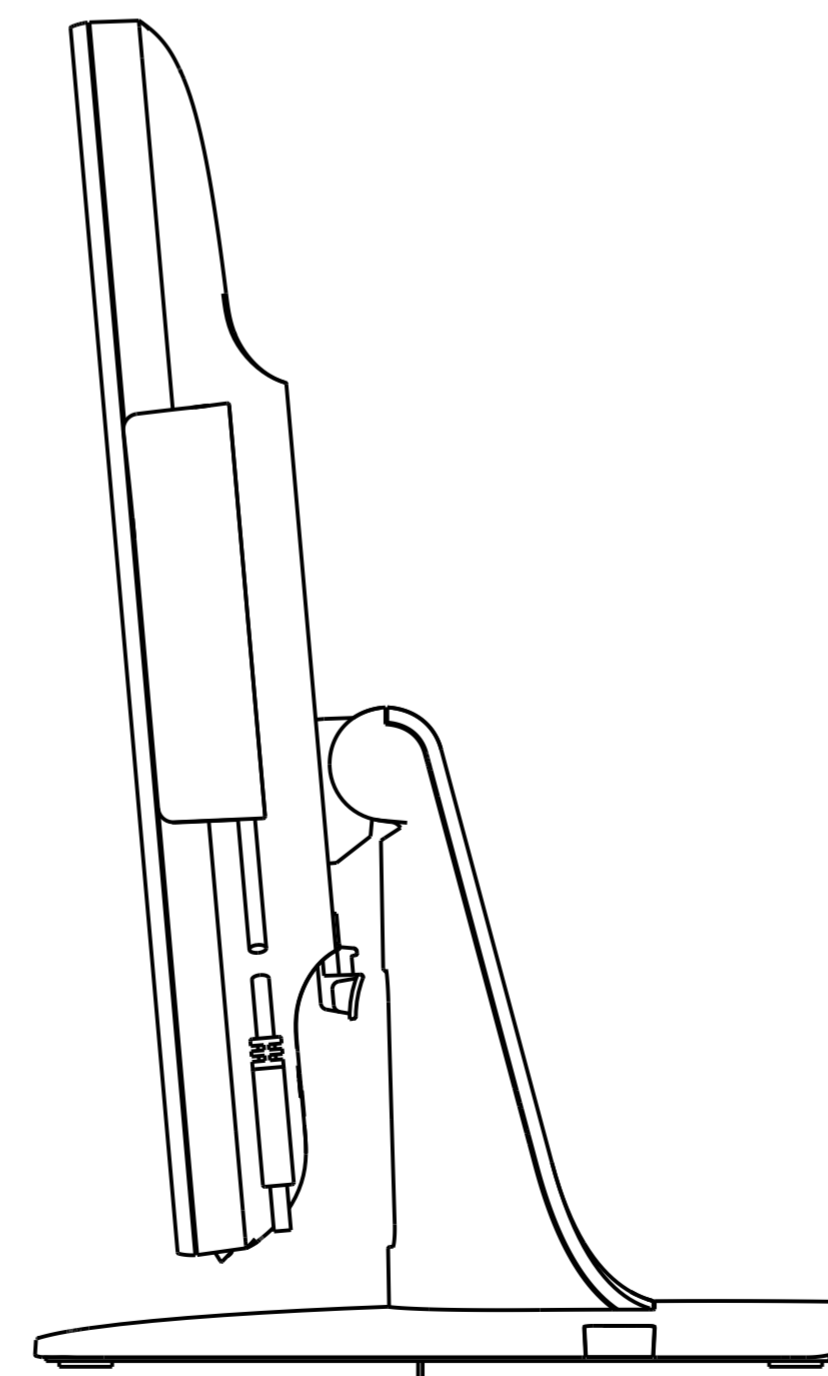


1517 / 1717 INPUTS / OUTPUTS

DIMENSIONAL DRAWING, 1517L/1717L



1715 STAND BOTOM VIEW



DIMENSIONS ARE IN MILLIMETERS

SHEET 2 OF 3



MS601505

DATE: 10/04/13

REV: A

