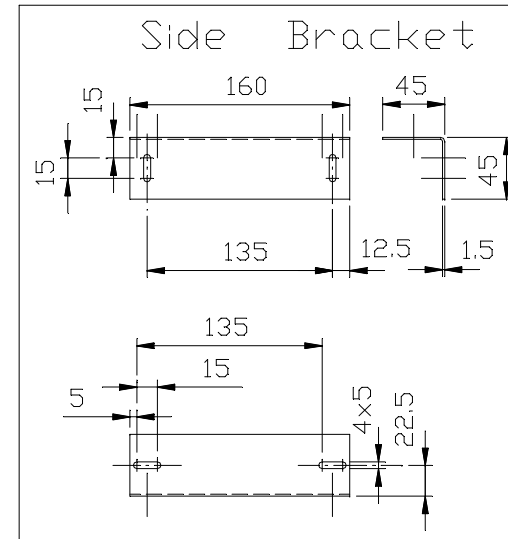
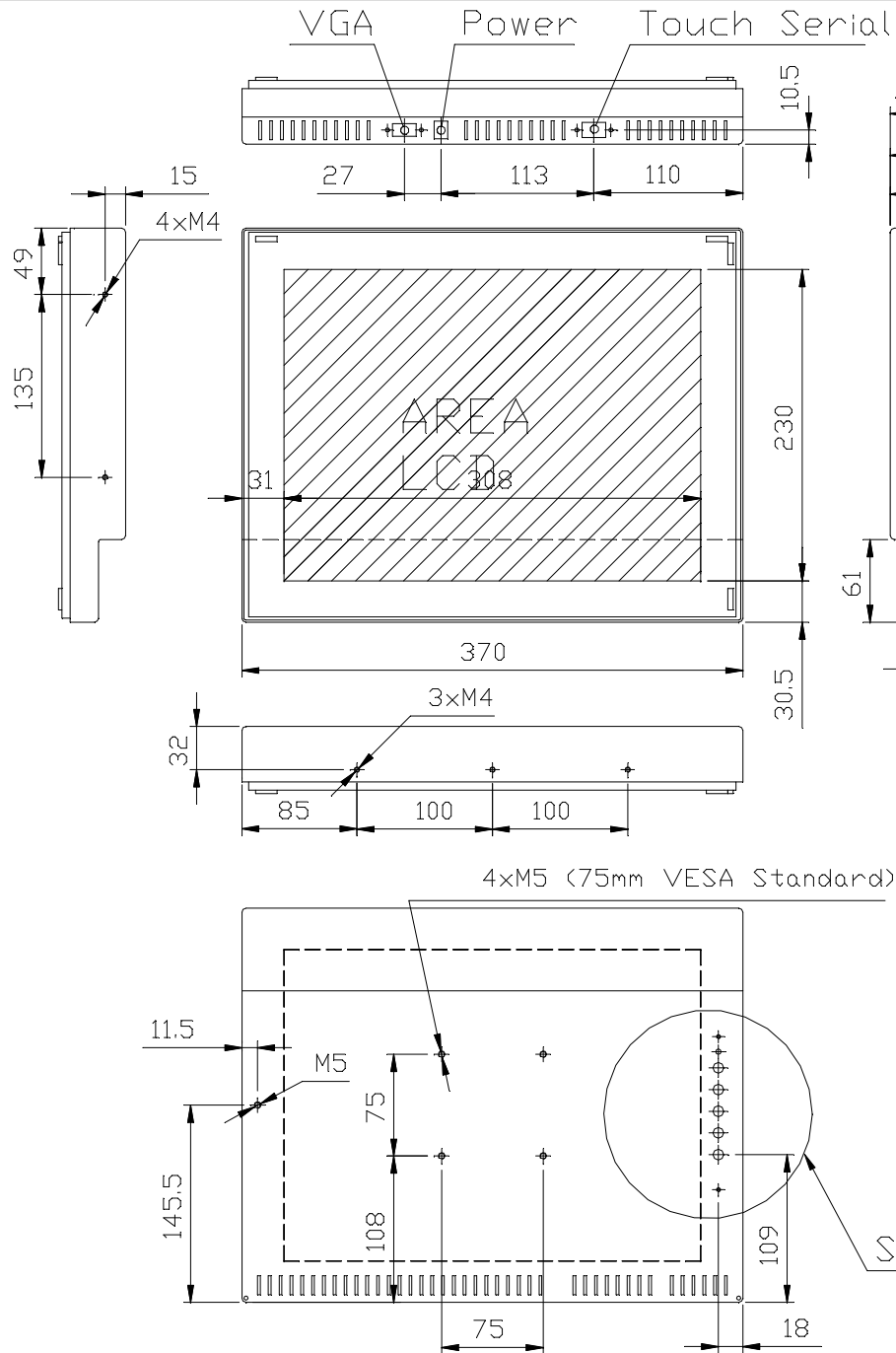
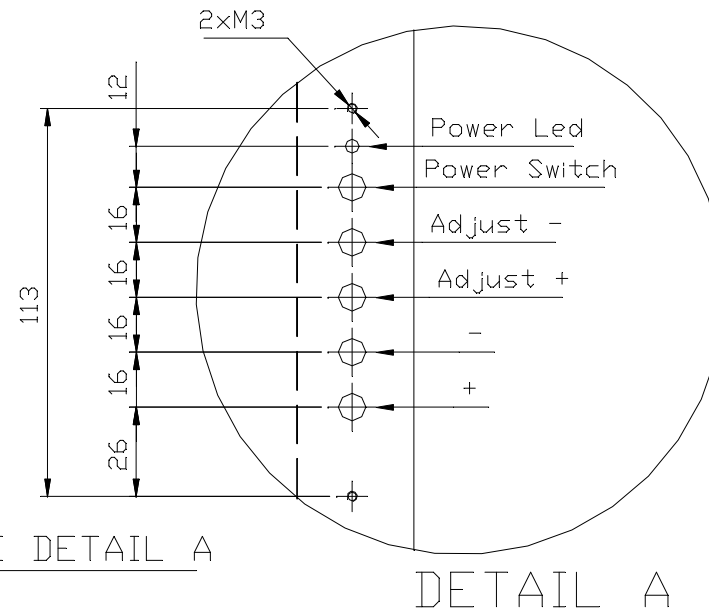
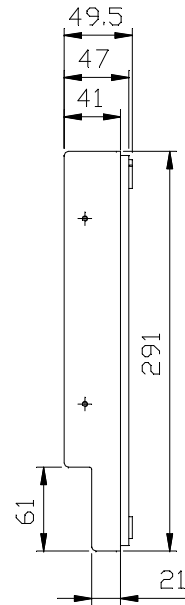


SECURETOUCH[®] MONITOR

697548-000 /
ET1582L-6SEB-1



Recommended Bezel Opening
308 x 230 mm (Optimum)
305-308 x 229-233 mm (Possible)



elo
TOUCHSYSTEMS

TPO2112000
DATE: 16/01/2001
REV. B