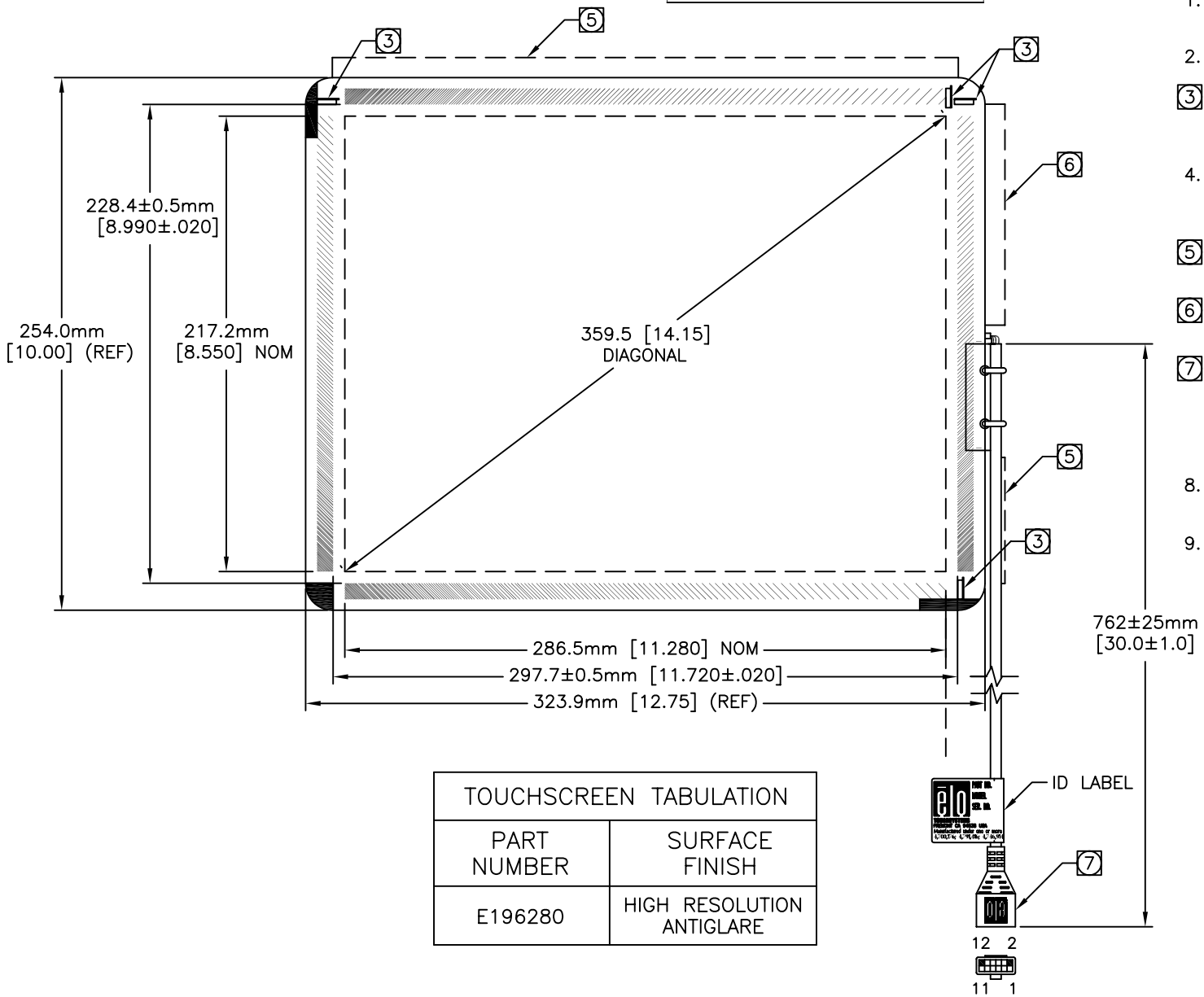


INTELLITOUCH® TOUCHSCREEN  
SCN-IT-FCR15.0-001-004-R



TOUCHSCREEN TABULATION	
PART NUMBER	SURFACE FINISH
E196280	HIGH RESOLUTION ANTIGLARE

NOTES:

1. ALL DIMENSIONS ARE IN MILLIMETERS AND INCHES.
2. GLASS THICKNESS: 3.0±0.3mm[0.12±0.012"].
- 3 TRANSducers ARE LOCATED AT POSITIONS SHOWN. HEIGHT OF TRANSducers ABOVE GLASS: 3.8mm [.150] MAX.
4. NO MATERIAL EXTENDS MORE THAN 0.8mm [.030] BEYOND THE BACK SURFACE OF THE GLASS.
- 5 CABLE ROUTING ADDS 2.5mm [.10] MAX TO INDICATED SECTION OF THE SCREEN.
- 6 CABLE ROUTING ADDS 3.8mm [.15] MAX TO INDICATED SECTION OF THE SCREEN.
- 7 BERG 65043-031, 2x6 HOUSING WITH BERG 48239-000 RECEPTACLES, DIRECTLY MATES WITH ANY OF THE FOLLOWING:  
- INTELLITOUCH SERIAL CONTROL BOARD  
- 012226 CABLE (2x6 TO 8: DB9 BULKHEAD)
8. THE TOUCH ACTIVE AREA IS LESS THAN THE VIEWABLE AREA TO FACILITATE SEALING.
9. ARRAY PATTERNS ARE CENTERED ON THE GLASS WITH A TOLERANCE OF ±0.5mm [.020].

CONNECTION CHART			
PIN	SIGNAL	INSULATION COLOR	JACKET COLOR
1	GROUND	OVERALL SHIELD	
2	KEY		
3	Y RECEIVE (+)	BLU	BLK
4	Y TRANSMIT (+)	BLU	GRY
5	Y RECEIVE (-)	BLK	BLK
6	Y TRANSMIT (-)	YEL	GRY
7	GROUND	INNER SHIELD	
8	X TRANSMIT (-)	RED	RED
9	X RECEIVE (-)	RED	BLK
10	X TRANSMIT (+)	GRN	RED
11	X RECEIVE (+)	WHT	BLK
12	KEY		

