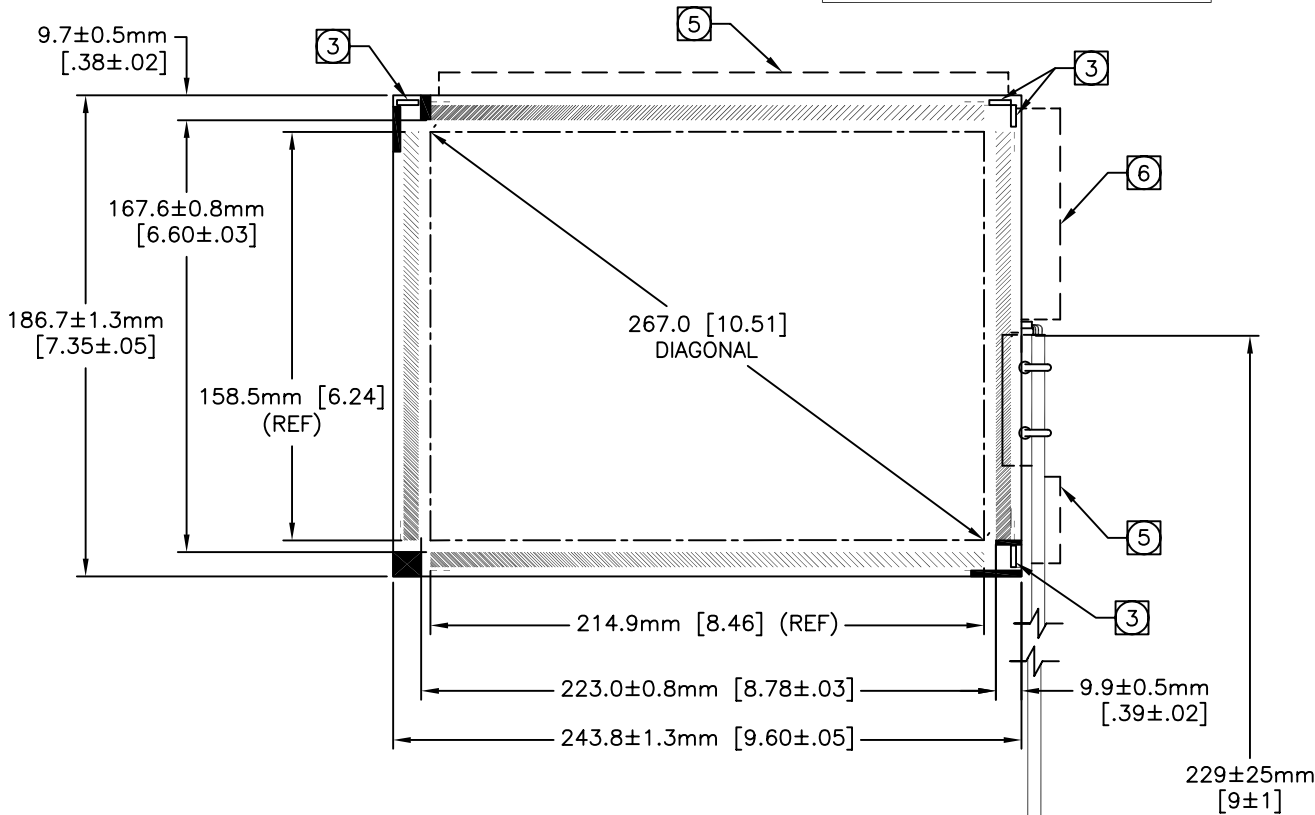
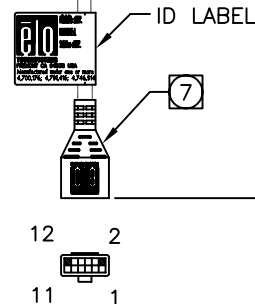


INTELLITOUCH® TOUCHSCREEN
SCN-IT-FLT10.4-003-00X-R



TOUCHSCREEN TABULATION	
PART NUMBER	SURFACE FINISH
E669463	CLEAR
E759737	ANTI-GLARE
E753610	HI-RESOLUTION ANTI-GLARE



NOTES:

1. ALL DIMENSIONS ARE IN INCHES AND MILLIMETERS.
2. GLASS THICKNESS: 3.0±0.3mm[0.12±0.012"].
3. TRANSDUCERS ARE LOCATED AT THE POSITIONS SHOWN. HEIGHT OF TRANSDUCERS ABOVE GLASS: 3.8mm/.150 MAX
4. NO MATERIAL EXTENDS MORE THAN 0.8mm/.03 BEYOND THE BACK SURFACE OF THE GLASS.
5. CABLE ROUTING ADDS 2.5mm/.10 MAX AS INDICATED ON SCREEN.
6. CABLE ROUTING ADDS 3.8mm/.15 MAX AS INDICATED ON SCREEN.
7. BERG 65043-031, 2x6 HOUSING WITH BERG 48239-000 RECEPTACLES, DIRECTLY MATES WITH ANY OF THE FOLLOWING:
-INTELLITOUCH SERIAL CONTROL BOARD
-012226 CABLE (2x6 TO 8" DB9 BULKHEAD)

CONNECTION CHART

PIN	SIGNAL	INSULATION COLOR	JACKET COLOR
1	GROUND	OVERALL SHIELD	
2	KEY		
3	Y RECEIVE (+)	BLU	BLK
4	Y TRANSMIT (+)	BLU	GRY
5	Y RECEIVE (-)	BLK	BLK
6	Y TRANSMIT (-)	YEL	GRY
7	GROUND	INNER SHIELD	
8	X TRANSMIT (-)	RED	RED
9	X RECEIVE (-)	RED	BLK
10	X TRANSMIT (+)	GRN	RED
11	X RECEIVE (+)	WHT	BLK
12	KEY		