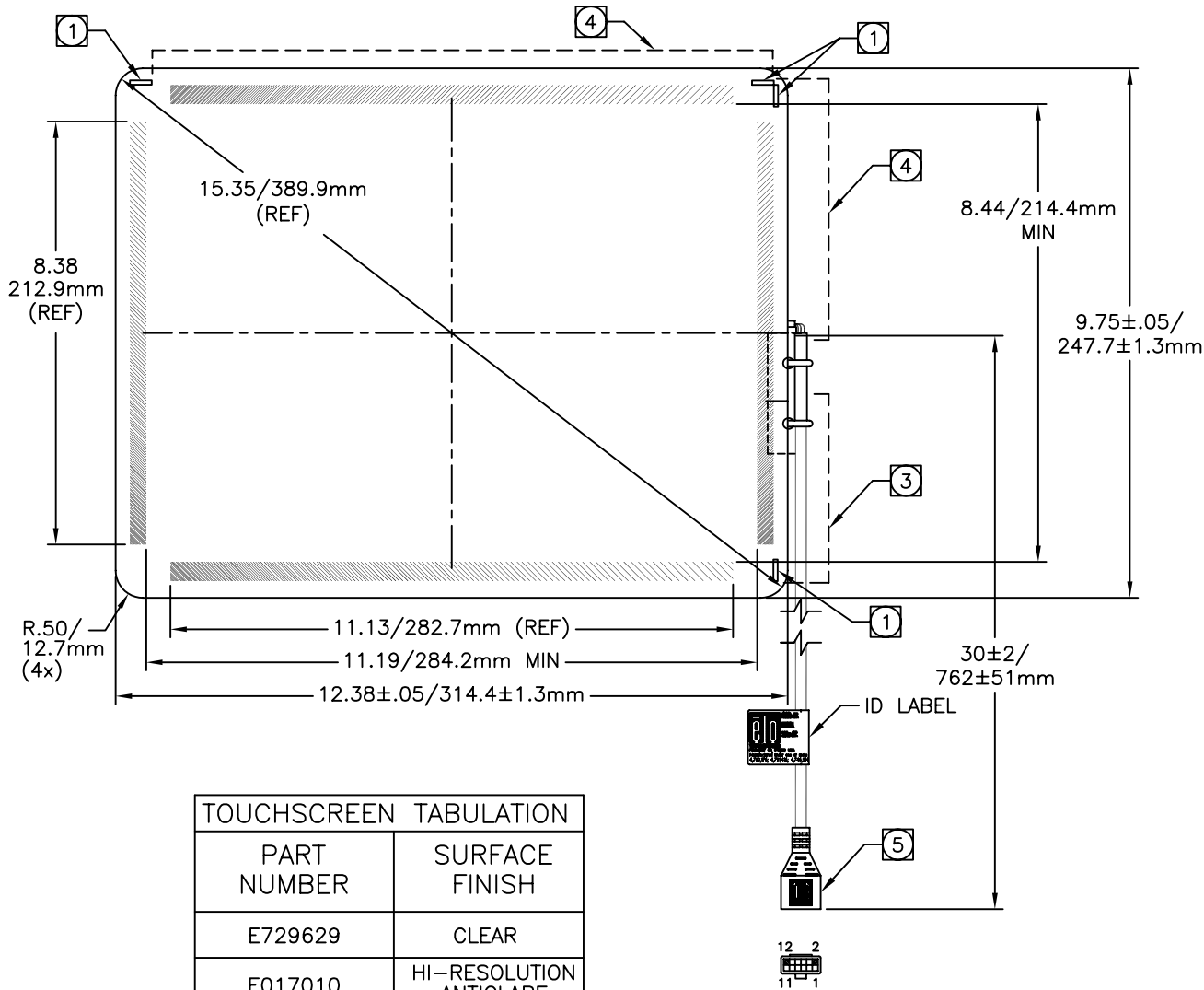


INTELLITOUCH® TOUCHSCREEN  
SCN-IT-SPH15.0-003-00X-R



TOUCHSCREEN TABULATION	
PART NUMBER	SURFACE FINISH
E729629	CLEAR
E017010	HI-RESOLUTION ANTIGLARE

NOTES:

- ① TRANSDUCERS ARE LOCATED AT THE POSITIONS SHOWN. HEIGHT OF TRANSDUCERS ABOVE GLASS: 0.150 MAX.
2. NO MATERIAL EXTENDS MORE THAN 0.030 BEYOND THE BACK SURFACE OF THE GLASS.
- ③ CABLE ROUTING ADDS A MAXIMUM OF 0.15" [3.8mm] TO INDICATED SECTION OF SCREEN.
- ④ CABLE ROUTING ADDS A MAXIMUM OF 0.10" [2.5mm] TO INDICATED SECTION OF SCREEN.
- ⑤ BERG, 65043-031, 2x6 HOUSING WITH BERG 48239-000 RECEPTACLES, DIRECTLY MATES WITH ANY OF THE FOLLOWING:  
-INTELLITOUCH SERIAL CONTROL BOARD  
-012226 CABLE (2x6 TO DB9 BULKHEAD, 8" LONG)
6. GLASS THICKNESS: 3.0±0.3mm[0.12±0.012"].
7. ALL DIMENSIONS ARE IN INCHES AND MILLIMETERS. DIMENSIONS SHOWN ARE PROJECTED DISTANCES.
8. ARRAY PATTERNS ARE CENTERED ON GLASS WITH A TOLERANCE OF ±0.050.
9. ARRAYS AND TRANSDUCERS ARE ON CONVEX SIDE.
10. 46±2 SPHERICAL RADIUS OF GLASS. THIS SHOULD MATCH CURVATURE OF MONITOR CRT.
11. THE TOUCH ACTIVE AREA IS LESS THAN THE AREA WITHIN THE ARRAYS TO FACILITATE SEALING.

CONNECTION CHART

PIN	SIGNAL	INSULATION COLOR	JACKET COLOR
1	GROUND	OVERALL SHIELD	
2	KEY		
3	Y RECEIVE (+)	BLU	BLK
4	Y TRANSMIT (+)	BLU	GRY
5	Y RECEIVE (-)	BLK	BLK
6	Y TRANSMIT (-)	YEL	GRY
7	GROUND	INNER SHIELD	
8	X TRANSMIT (-)	RED	RED
9	X RECEIVE (-)	RED	BLK
10	X TRANSMIT (+)	GRN	RED
11	X RECEIVE (+)	WHT	BLK
12	KEY		



MS600123  
DATE: 12/02/05  
REV. A