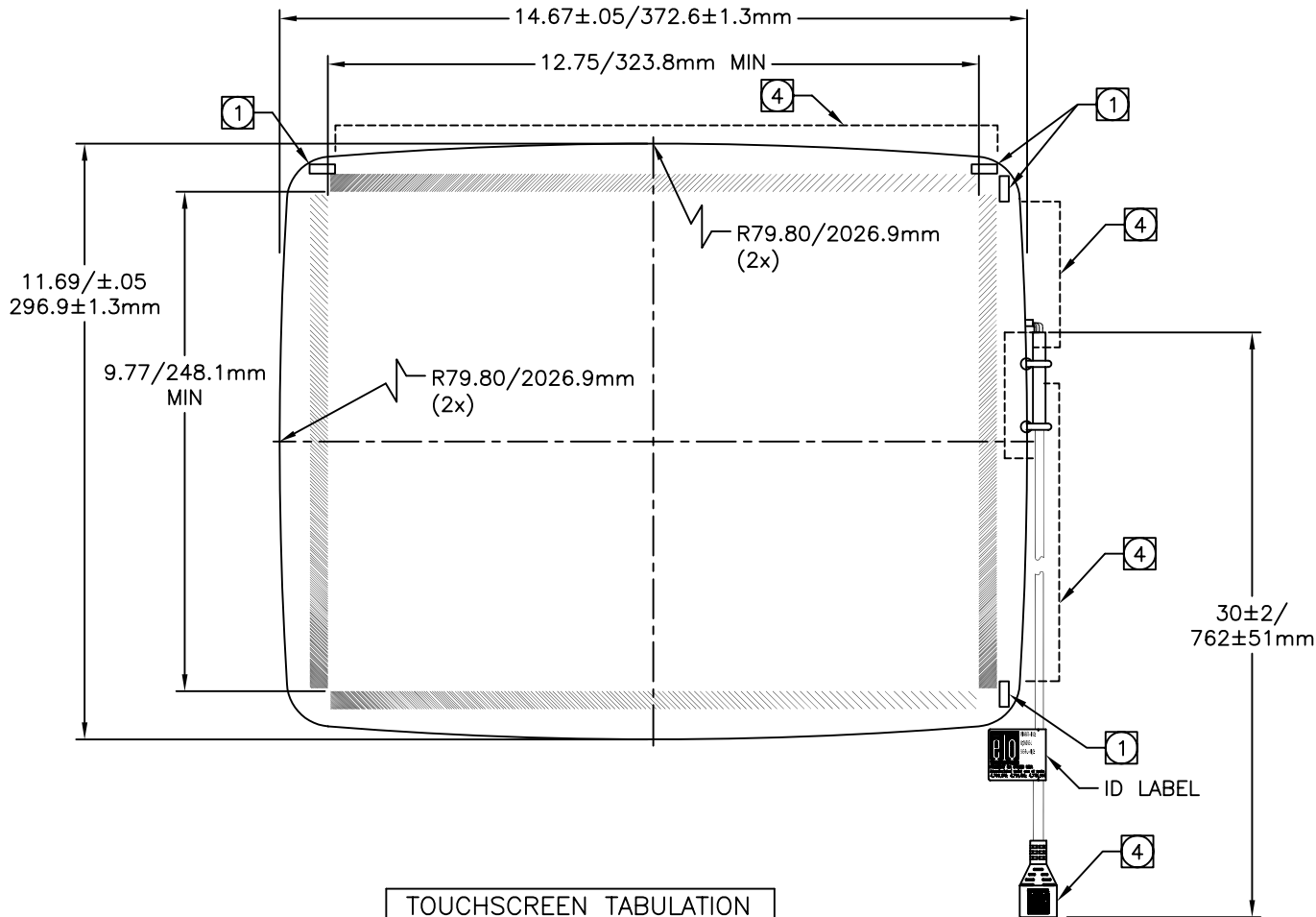


INTELLITOUCH® TOUCHSCREEN
SCN-IT-SPH17.0-001-00X-R



TOUCHSCREEN TABULATION	
NEW P/N	SURFACE FINISH
E331323	CLEAR
E149297	HI-RESOLUTION ANTIGLARE

NOTES:

- ① TRANSDUCERS ARE LOCATED AT THE POSITIONS SHOWN. HEIGHT OF TRANSDUCERS ABOVE GLASS: .150" [3.8mm] MAX.
2. NO MATERIAL EXTENDS MORE THAN .030" [.76mm] BEYOND THE BACK SURFACE OF THE GLASS.
- ③ CABLE ROUTING ADDS A MAXIMUM OF .15" [3.8mm] TO INDICATED SECTION OF SCREEN.
- ④ CABLE ROUTING ADDS A MAXIMUM OF .10" [2.5mm] TO INDICATED SECTION OF SCREEN.
- ⑤ BERG, 65043-031, 2x6 HOUSING WITH BERG 48239-000 RECEPTACLES, DIRECTLY MATES WITH ANY OF THE FOLLOWING:
-INTELLITOUCH SERIAL CONTROL BOARD
-012226 CABLE (2x6 TO DB9 BULKHEAD, 8" LONG)
6. GLASS THICKNESS: .125" [3.18mm] NOMINAL.
7. ALL DIMENSIONS ARE IN INCHES AND MILLIMETERS. DIMENSIONS SHOWN ARE PROJECTED DISTANCES.
8. ARRAY PATTERNS ARE CENTERED ON GLASS WITH A TOLERANCE OF ±0.050.
9. ARRAYS AND TRANSDUCERS ARE ON CONVEX SIDE.
10. 46"±3 [1168mm±76] SPHERICAL RADIUS OF GLASS. THIS SHOULD MATCH CURVATURE OF MONITOR CRT.

CONNECTION CHART			
PIN	SIGNAL	INSULATION COLOR	JACKET COLOR
1	GROUND	OVERALL SHIELD	
2	KEY		
3	Y RECEIVE (+)	BLU	BLK
4	Y TRANSMIT (+)	BLU	GRY
5	Y RECEIVE (-)	BLK	BLK
6	Y TRANSMIT (-)	YEL	GRY
7	GROUND	INNER SHIELD	
8	X TRANSMIT (-)	RED	RED
9	X RECEIVE (-)	RED	BLK
10	X TRANSMIT (+)	GRN	RED
11	X RECEIVE (+)	WHT	BLK
12	KEY		