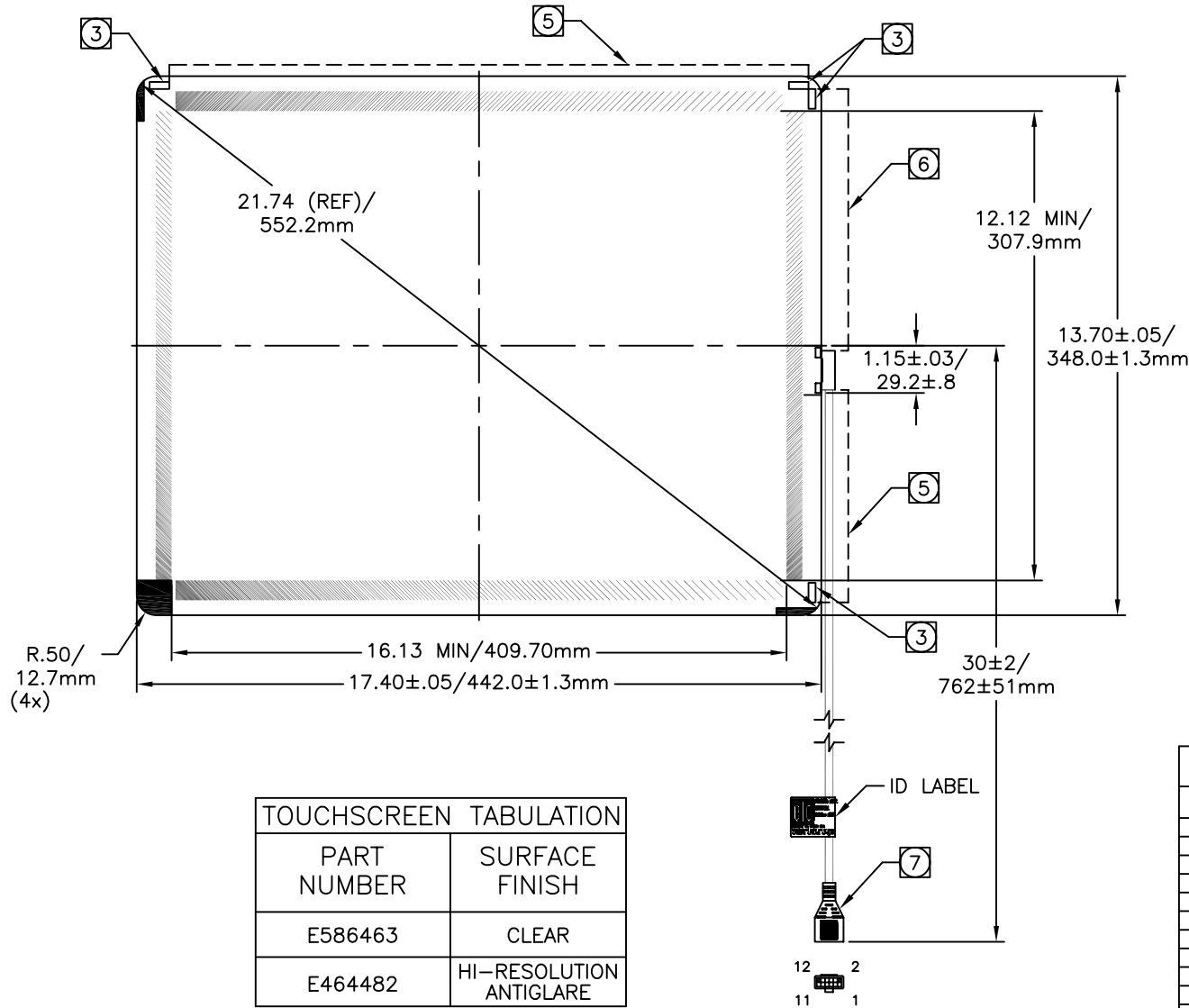


INTELLITOUCH® TOUCHSCREEN  
SCN-IT-SPH21.0-001-00X-R



NOTES:

1. ALL DIMENSIONS ARE IN INCHES AND MILLIMETERS. DIMENSIONS SHOWN ARE PROJECTED DISTANCES.
2. GLASS THICKNESS: 3.2mm/.125 NOMINAL.
3. TRANSDUCERS ARE LOCATED AT THE POSITIONS SHOWN. HEIGHT OF TRANSDUCERS ABOVE GLASS: 3.8mm/.150 MAX.
4. NO MATERIAL EXTENDS MORE THAN .03/0.8mm BEYOND THE BACK SURFACE OF THE GLASS.
5. CABLE ROUTING ADDS .10/2.5mm MAX AS INDICATED ON SCREEN.
6. CABLE ROUTING ADDS .15/3.8mm MAX AS INDICATED ON SCREEN.
7. BERG 65043-031, 2x6 HOUSING WITH BERG 48239-000 RECEPTACLES, DIRECTLY MATES WITH ANY OF THE FOLLOWING:  
-INTELLITOUCH SERIAL CONTROL BOARD  
-012226 CABLE (2x6 TO 8" DB9 BULKHEAD)
8. ARRAY PATTERNS ARE CENTERED ON GLASS WITH A TOLERANCE OF ±1.3mm/.050.
9. ARRAYS AND TRANSDUCERS ARE ON THE CONVEX SIDE.
10. 56±3 SPHERICAL RADIUS OF GLASS. THIS SHOULD MATCH CURVATURE OF MONITOR CRT.

CONNECTION CHART

PIN	SIGNAL	INSULATION COLOR	JACKET COLOR
1	GROUND	OVERALL SHIELD	
2	KEY		
3	Y RECEIVE (+)	BLU	BLK
4	Y TRANSMIT (+)	BLU	GRY
5	Y RECEIVE (-)	BLK	BLK
6	Y TRANSMIT (-)	YEL	GRY
7	GROUND	INNER SHIELD	
8	X TRANSMIT (-)	RED	RED
9	X RECEIVE (-)	RED	BLK
10	X TRANSMIT (+)	GRN	RED
11	X RECEIVE (+)	WHT	BLK
12	KEY		