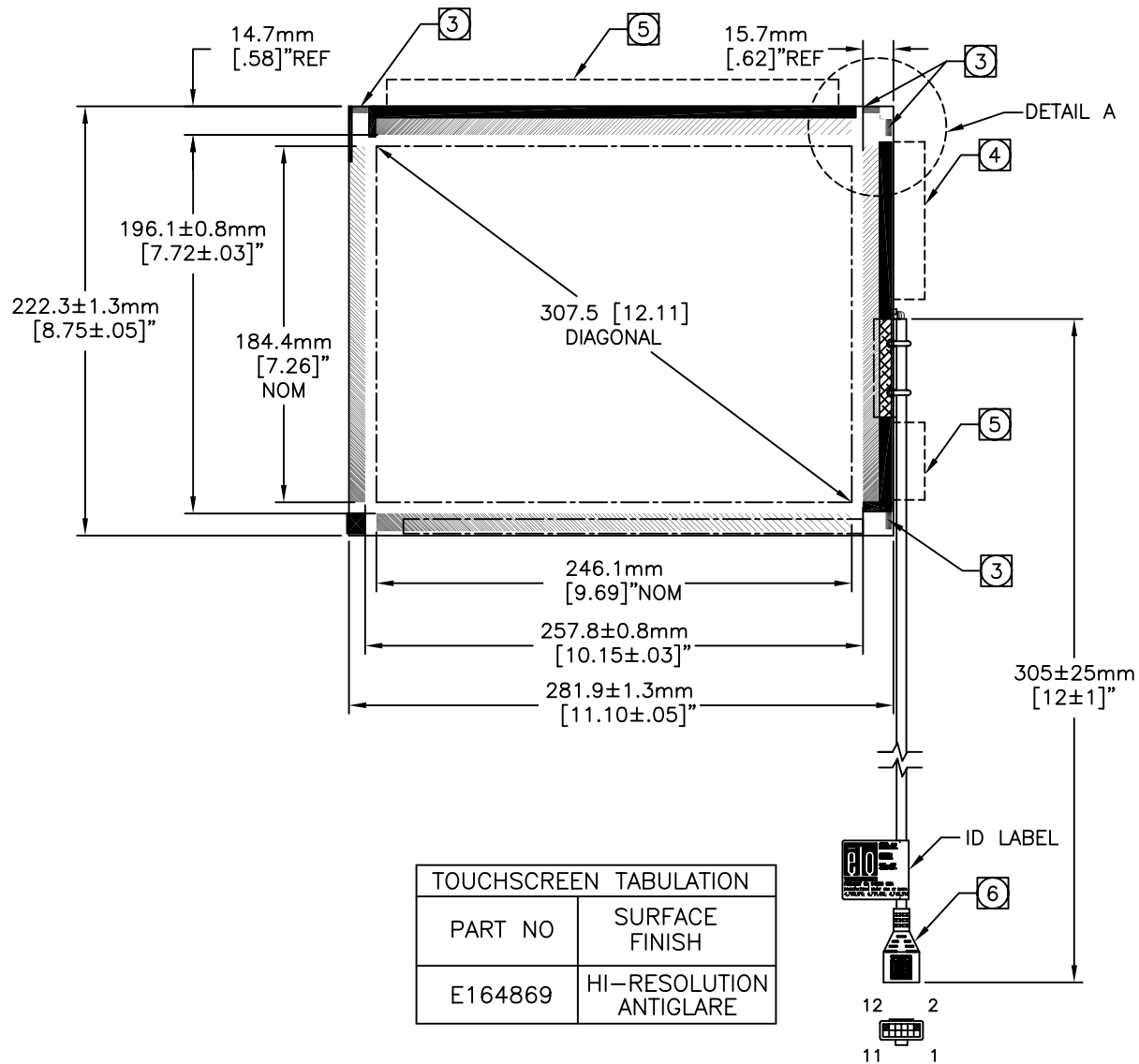


INTELLITOUCH® TOUCHSCREEN
SCN-IT-FLT12.1-002-004-F-R



TOUCHSCREEN TABULATION	
PART NO	SURFACE FINISH
E164869	HI-RESOLUTION ANTIGLARE

NOTES:

1. ALL DIMENSIONS ARE IN INCHES AND MILLIMETERS.
2. GLASS THICKNESS: 2.6 TO 2.8mm [0.102 TO 0.108"].
3. PIEZOS ARE PLACED AT THE VERY EDGE (ON THE BACK SURFACE) OF THE GLASS DIRECTLY OPPOSITE THE GRATING. BLACK TAPE APPLIED OVER THE PIEZOS. SEE DETAIL A.
4. CABLE ROUTING ADDS (ON GLASS EDGE) 3.8mm[0.15"] MAXIMUM TO INDICATED SECTION.
5. CABLE ROUTING ADDS (ON GLASS EDGE) 2.5mm[0.10"] MAXIMUM TO INDICATED SECTION.
6. BERG 65043-031, 2x6 HOUSING WITH BERG 48239-000 RECEPTACLES, DIRECTLY MATES WITH ANY OF THE FOLLOWING:
-INTELLITOUCH SERIAL CONTROL BOARD
-012226 CABLE (2x6 TO 8" DB9 BULKHEAD)
7. THE TOUCH ACTIVE AREA IS LESS THAN THE VIEWABLE AREA TO FACILITATE SEALING.

CONNECTION CHART			
PIN	SIGNAL	INSULATION COLOR	JACKET COLOR
1	GROUND	OVERALL SHIELD	
2	KEY		
3	Y RECEIVE (+)	BLU	BLK
4	Y TRANSMIT (+)	BLU	GRY
5	Y RECEIVE (-)	BLK	BLK
6	Y TRANSMIT (-)	YEL	GRY
7	GROUND	INNER SHIELD	
8	X TRANSMIT (-)	RED	RED
9	X RECEIVE (-)	RED	BLK
10	X TRANSMIT (+)	GRN	RED
11	X RECEIVE (+)	WHT	BLK
12	KEY		

