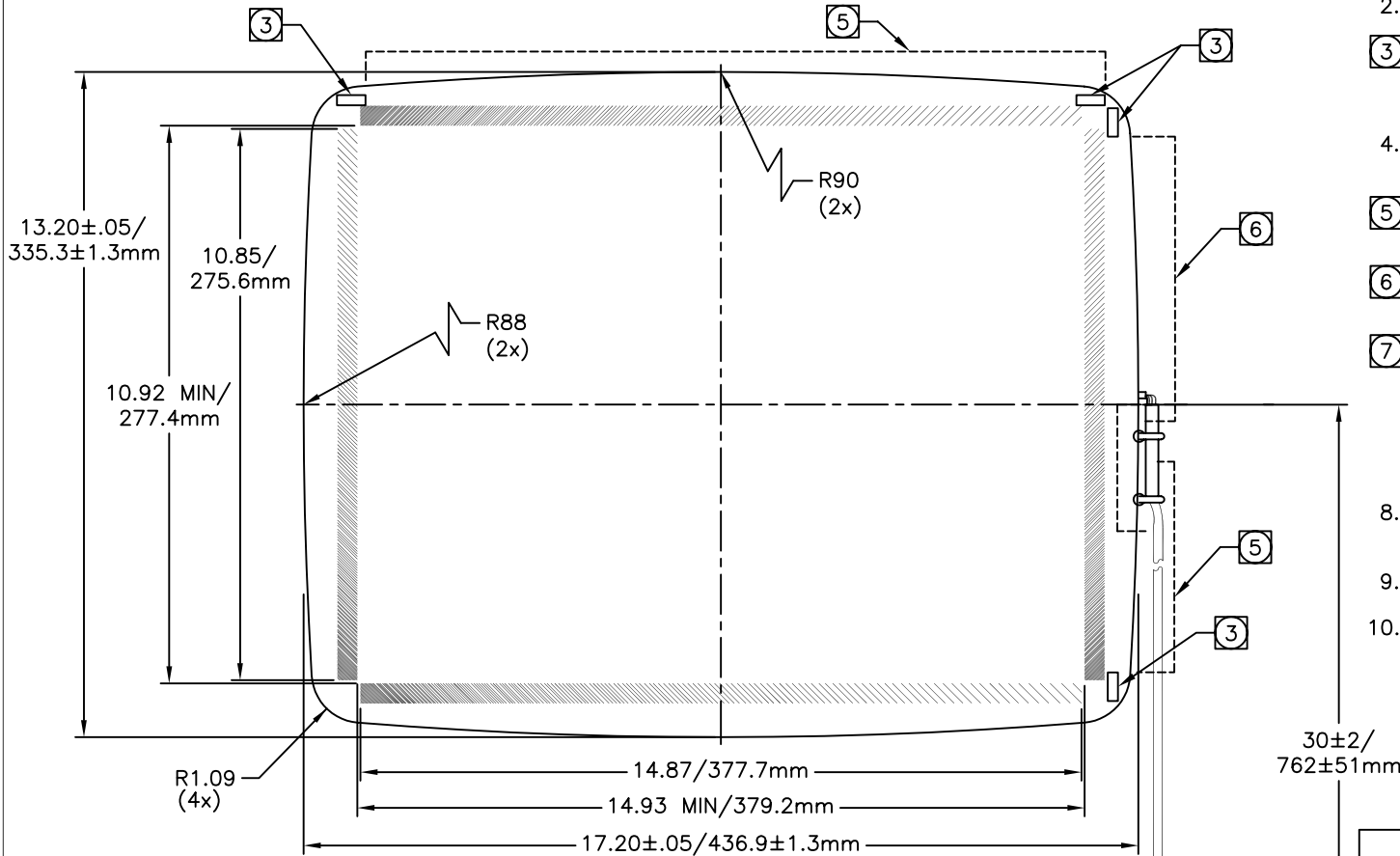


INTELLITOUCH® TOUCHSCREEN
SCN-IT-SPH19.0-001-00X-R

NOTES:

1. ALL DIMENSIONS ARE IN INCHES AND MILLIMETERS. DIMENSIONS SHOWN ARE PROJECTED DISTANCES.
2. GLASS THICKNESS: .125/3.2mm NOMINAL.
- ③ TRANSDUCERS ARE LOCATED AT THE POSITIONS SHOWN. HEIGHT OF TRANSDUCERS ABOVE GLASS: .150/3.8mm MAX.
4. NO MATERIAL EXTENDS MORE THAN .03/0.8mm BEYOND THE BACK SURFACE OF THE GLASS.
- ⑤ CABLE ROUTING ADDS .10/2.5mm MAX AS INDICATED ON SCREEN.
- ⑥ CABLE ROUTING ADDS .15/3.8mm MAX AS INDICATED ON SCREEN.
- ⑦ BERG 65043-031, 2x6 HOUSING WITH BERG 48239-000 RECEPTACLES, DIRECTLY MATES WITH ANY OF THE FOLLOWING:
-INTELLITOUCH SERIAL CONTROL BOARD
-002863-8 CABLE (2x6 TO DB9 BULKHEAD, 8")
-012226 CABLE (2x6 TO DB9 BULKHEAD, 8")
8. ARRAY PATTERNS ARE CENTERED ON GLASS WITH A TOLERANCE OF $\pm 0.050/1.3$ mm.
9. ARRAYS AND TRANSDUCERS ARE ON CONVEX SIDE.
10. $32\pm 3/813\pm 76$ mm SPHERICAL RADIUS OF GLASS. THIS SHOULD MATCH CURVATURE OF MONITOR CRT.



TOUCHSCREEN TABULATION	
PART NUMBER	SURFACE FINISH
E058805	CLEAR
E251776	HI-RESOLUTION ANTIGLARE

CONNECTION CHART			
PIN	SIGNAL	INSULATION COLOR	JACKET COLOR
1	GROUND	OVERALL SHIELD	
2	KEY		
3	Y RECEIVE (+)	BLU	BLK
4	Y TRANSMIT (+)	BLU	GRY
5	Y RECEIVE (-)	BLK	BLK
6	Y TRANSMIT (-)	YEL	GRY
7	GROUND	INNER SHIELD	
8	X TRANSMIT (-)	RED	RED
9	X RECEIVE (-)	RED	BLK
10	X TRANSMIT (+)	GRN	RED
11	X RECEIVE (+)	WHT	BLK
12	KEY		

