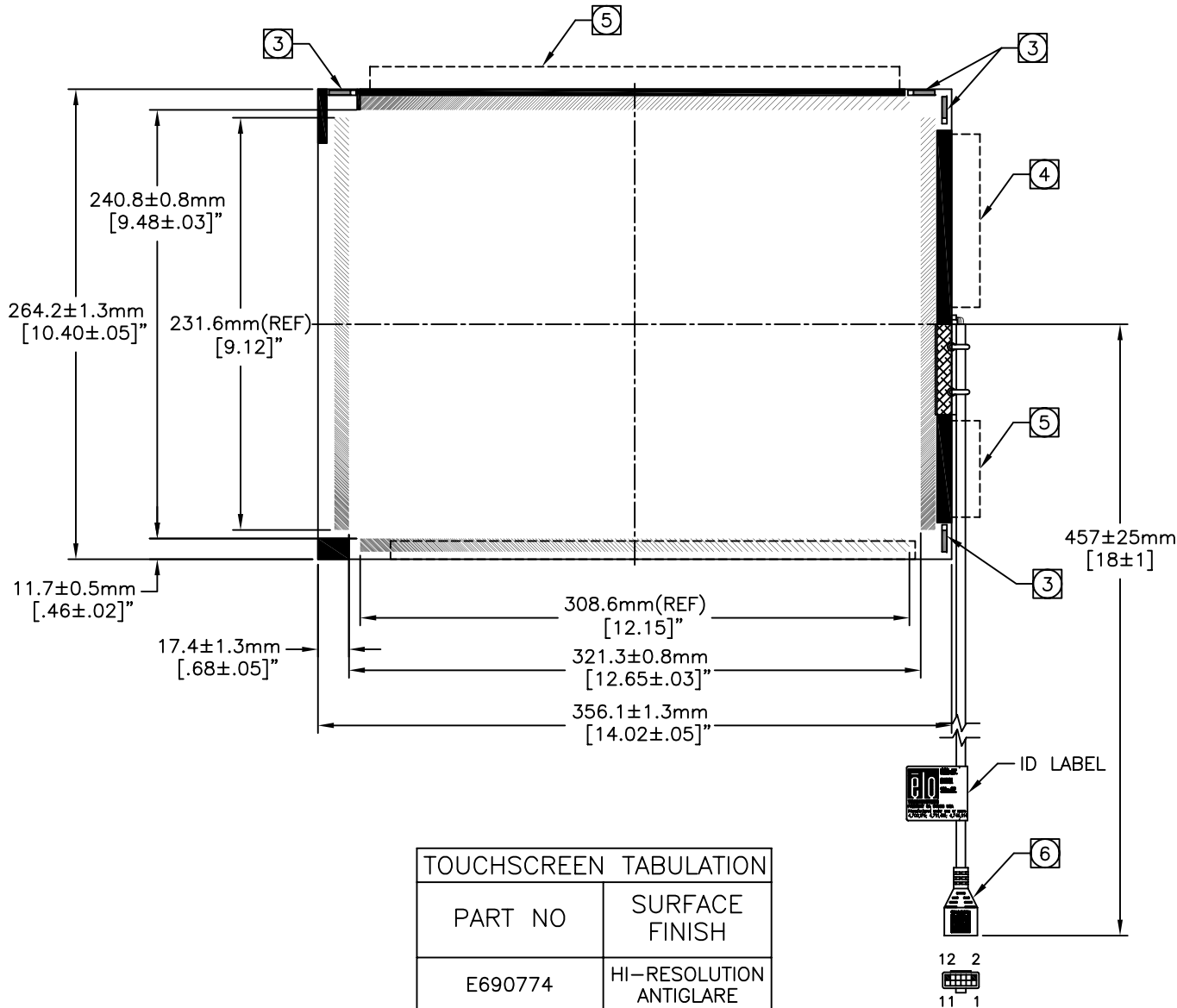


INTELLITOUCH® TOUCHSCREEN
 SCN-IT-FLT15.1-001-004-F-R



TOUCHSCREEN TABULATION	
PART NO	SURFACE FINISH
E690774	HI-RESOLUTION ANTIGLARE

NOTES:

1. ALL DIMENSIONS ARE IN INCHES AND MILLIMETERS.
2. GLASS THICKNESS: .105/2.7mm NOMINAL.
3. PIEZOS ARE LOCATED ON THE BACK SURFACE OF THE GLASS DIRECTLY OPPOSITE THE FLAT-PROFILE GRATINGS.
4. CABLE ROUTING ADDS (ON GLASS EDGE) 3.8mm/.15 MAX TO INDICATED SECTION.
5. CABLE ROUTING ADDS (ON GLASS EDGE) 2.5mm/.10 MAX TO INDICATED SECTION.
6. BERG 65043-031, 2x6 HOUSING WITH BERG 48239-000 RECEPTACLES, DIRECTLY MATES WITH ANY OF THE FOLLOWING:
 -INTELLITOUCH SERIAL CONTROL BOARD
 -012226 CABLE (2x6 TO 8" DB9 BULKHEAD)
7. THE TOUCH ACTIVE AREA IS LESS THAN THE VIEWABLE AREA TO FACILITATE SEALING.

CONNECTION CHART			
PIN	SIGNAL	INSULATION COLOR	JACKET COLOR
1	GROUND	OVERALL SHIELD	
2	KEY		
3	Y RECEIVE (+)	BLU	BLK
4	Y TRANSMIT (+)	BLU	GRY
5	Y RECEIVE (-)	BLK	BLK
6	Y TRANSMIT (-)	YEL	GRY
7	GROUND	INNER SHIELD	
8	X TRANSMIT (-)	RED	RED
9	X RECEIVE (-)	RED	BLK
10	X TRANSMIT (+)	GRN	RED
11	X RECEIVE (+)	WHT	BLK
12	KEY		