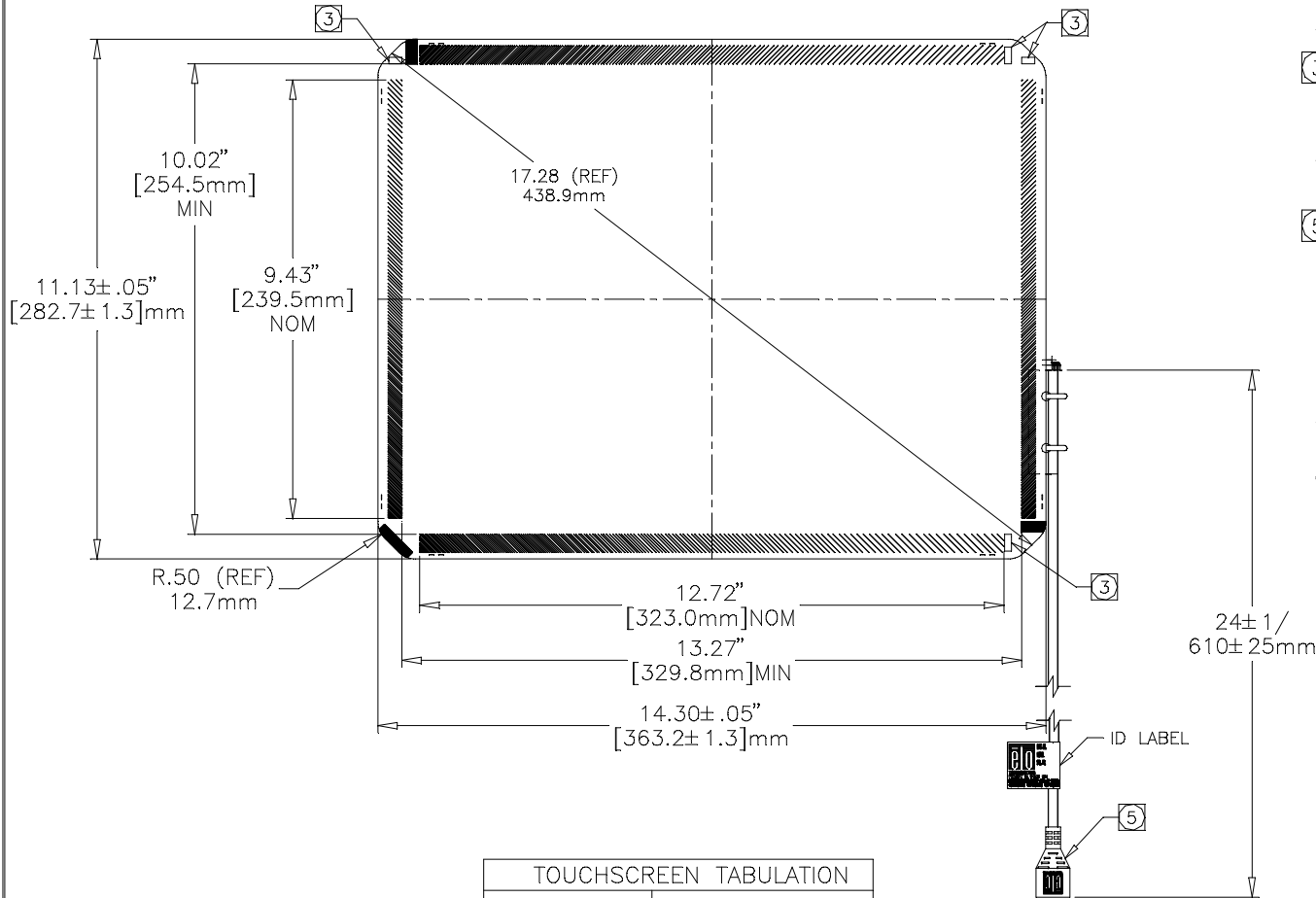


INTELLITOUCH® TOUCHSCREEN  
SCN-IT-SPH17.0-007-00X



TOUCHSCREEN TABULATION	
PART NUMBER	SURFACE FINISH
663431-000	SPECIAL APPLICATION ANTIGLARE
289173-000	HI-RESOLUTION ANTIGLARE



NOTES:

- ALL DIMENSIONS ARE IN INCHES AND MILLIMETERS. DIMENSIONS SHOWN ARE PROJECTED DISTANCES.
- GLASS THICKNESS: 0.12" [3.0mm] NOMINAL.
- TRANSDUCERS ARE LOCATED AT THE POSITIONS SHOWN. HEIGHT OF TRANSDUCER ABOVE GLASS IS 0.15" [3.8mm] MAX.
- NO MATERIAL EXTENDS MORE THAN .030/0.8mm BEYOND THE BACK SURFACE OF THE GLASS.
- BERG 65043-031, 2x6 HOUSING WITH BERG 48239-000 RECEPTACLES, DIRECTLY MATES WITH ANY OF THE FOLLOWING:  
-INTELLITOUCH SERIAL CONTROL BOARD  
-012226 CABLE (2x6 TO 8" DB9 BULKHEAD)
- ARRAY PATTERNS ARE CENTERED ON GLASS WITH A TOLERANCE OF ±.05" [1.3mm].
- ARRAYS AND TRANSDUCERS ARE ON CONVEX SIDE.
- 46±3 SPHERICAL RADIUS OF GLASS. THIS SHOULD MATCH CURVATURE OF MONITOR CRT.

CONNECTION CHART

PIN	SIGNAL	INSULATION COLOR	JACKET COLOR
1	GROUND	OVERALL SHIELD	
2	KEY		
3	Y RECEIVE (+)	BLU	BLK
4	Y TRANSMIT (+)	BLU	GRY
5	Y RECEIVE (-)	BLK	BLK
6	Y TRANSMIT (-)	YEL	GRY
7	GROUND	INNER SHIELD	
8	X TRANSMIT (-)	RED	RED
9	X RECEIVE (-)	RED	BLK
10	X TRANSMIT (+)	GRN	RED
11	X RECEIVE (+)	WHT	BLK
12	KEY		