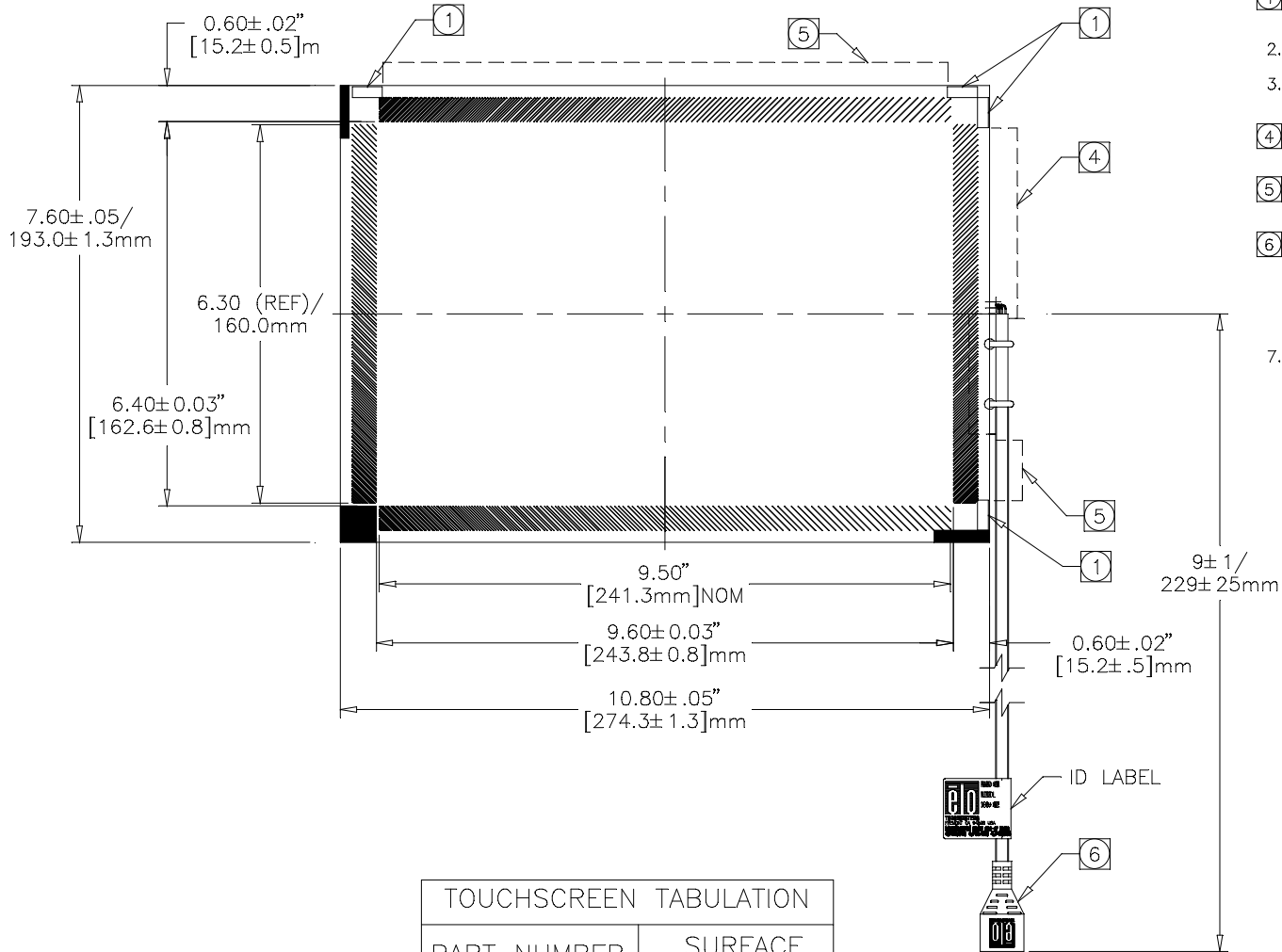
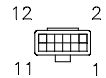


INTELLITOUCH® TOUCHSCREEN  
SCN-IT-FLT11.3-003-003



| TOUCHSCREEN TABULATION |                |
|------------------------|----------------|
| PART NUMBER            | SURFACE FINISH |
| 174235-000             | ANTIGLARE      |



- NOTES:
- 1 TRANSDUCERS ARE LOCATED AT THE POSITIONS SHOWN. HEIGHT OF TRANSDUCERS ABOVE GLASS: .150" [3.8mm] MAX.
  2. ALL DIMENSIONS ARE IN INCHES AND MILLIMETERS.
  3. NO MATERIAL EXTENDS MORE THAN .030" [.76mm] BEYOND THE BACK SURFACE OF THE GLASS.
  - 4 CABLE ROUTING ADDS A MAXIMUM OF .15" [3.8mm] TO INDICATED SECTION OF SCREEN.
  - 5 CABLE ROUTING ADDS A MAXIMUM OF .10" [2.5mm] TO INDICATED SECTION OF SCREEN.
  - 6 BERG, 65043-031, 2x6 HOUSING WITH BERG 48239-000 RECEPTACLES, DIRECTLY MATES WITH ANY OF THE FOLLOWING:  
-INTELLITOUCH SERIAL CONTROL BOARD  
-012226 CABLE (2x6 TO DB9 BULKHEAD, 8" LONG)
  7. GLASS THICKNESS: .093" [2.4mm] NOMINAL.

| CONNECTION CHART |                |                  |              |
|------------------|----------------|------------------|--------------|
| PIN              | SIGNAL         | INSULATION COLOR | JACKET COLOR |
| 1                | GROUND         | OVERALL SHIELD   |              |
| 2                | KEY            |                  |              |
| 3                | Y RECEIVE (+)  | BLU              | BLK          |
| 4                | Y TRANSMIT (+) | BLU              | GRY          |
| 5                | Y RECEIVE (-)  | BLK              | BLK          |
| 6                | Y TRANSMIT (-) | YEL              | GRY          |
| 7                | GROUND         | INNER SHIELD     |              |
| 8                | X TRANSMIT (-) | RED              | RED          |
| 9                | X RECEIVE (-)  | RED              | BLK          |
| 10               | X TRANSMIT (+) | GRN              | RED          |
| 11               | X RECEIVE (+)  | WHT              | BLK          |
| 12               | KEY            |                  |              |