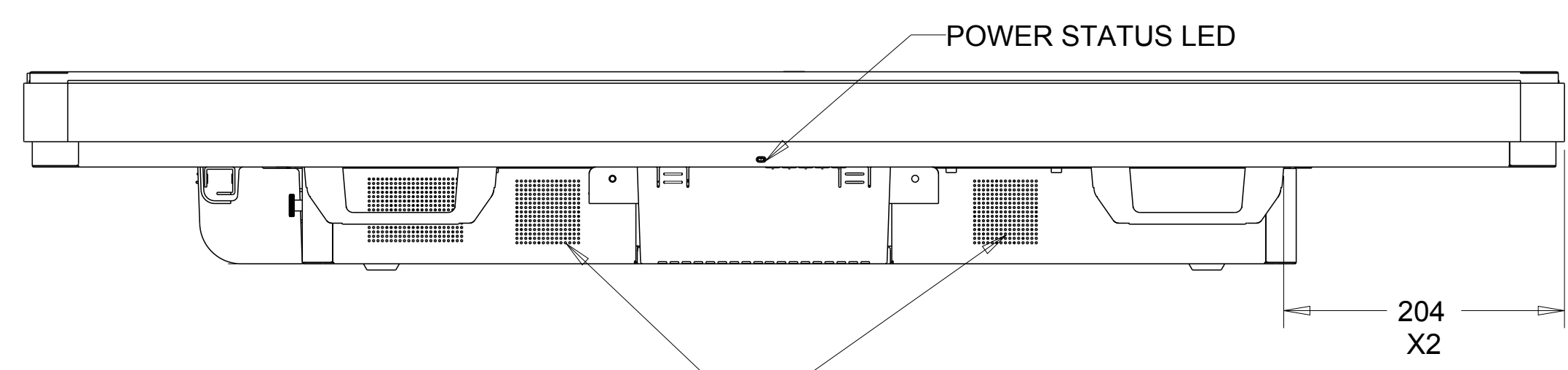
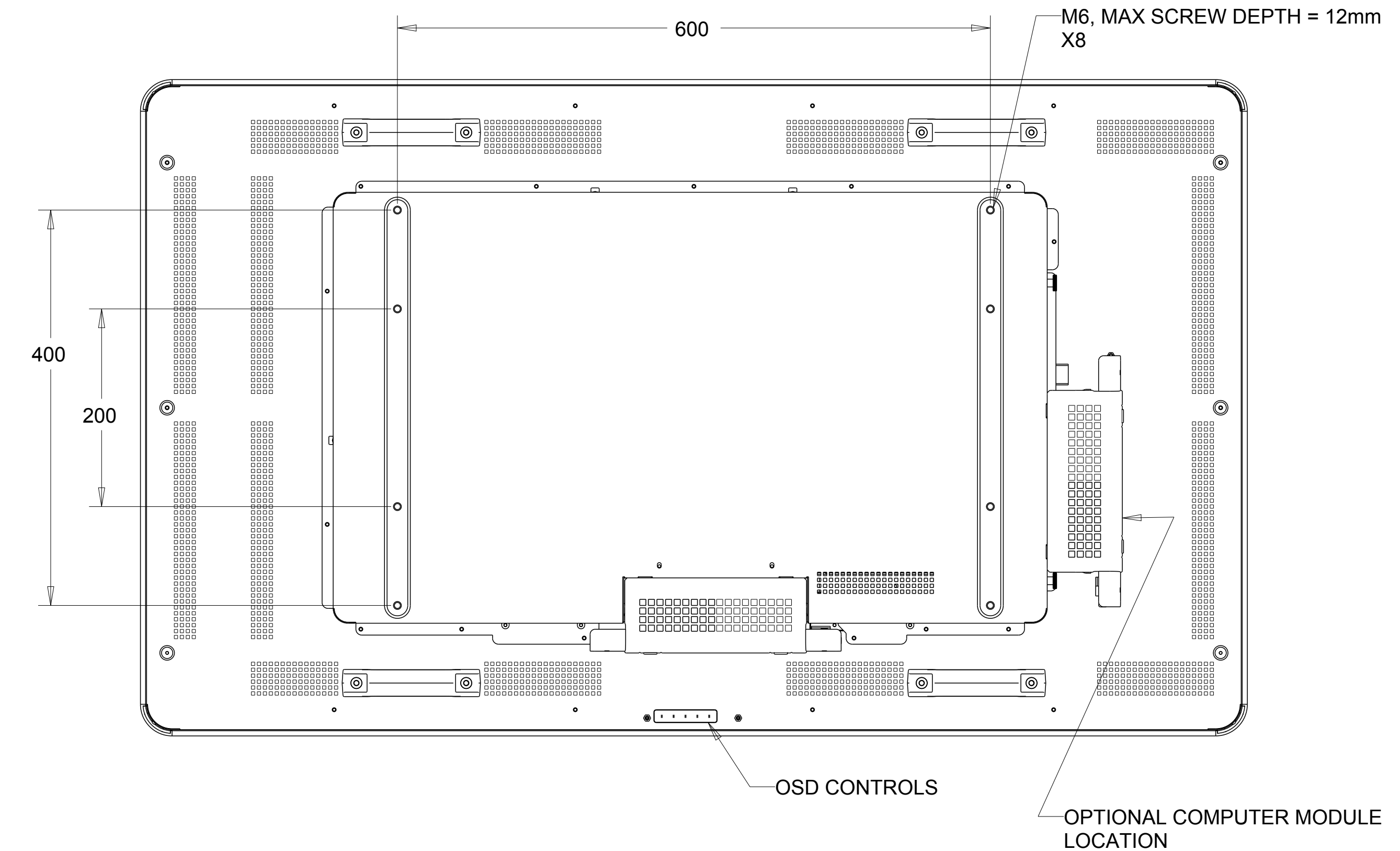
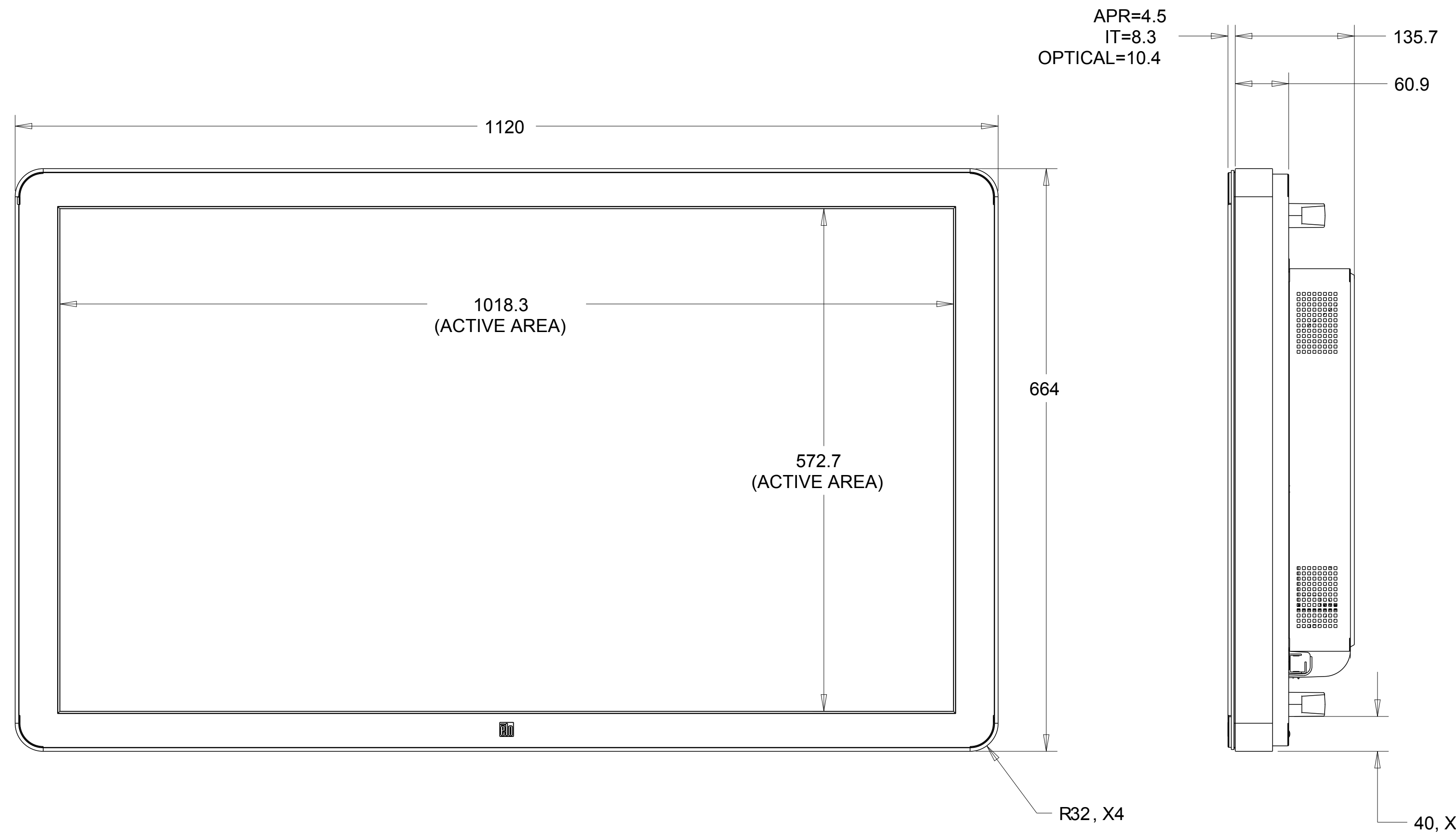
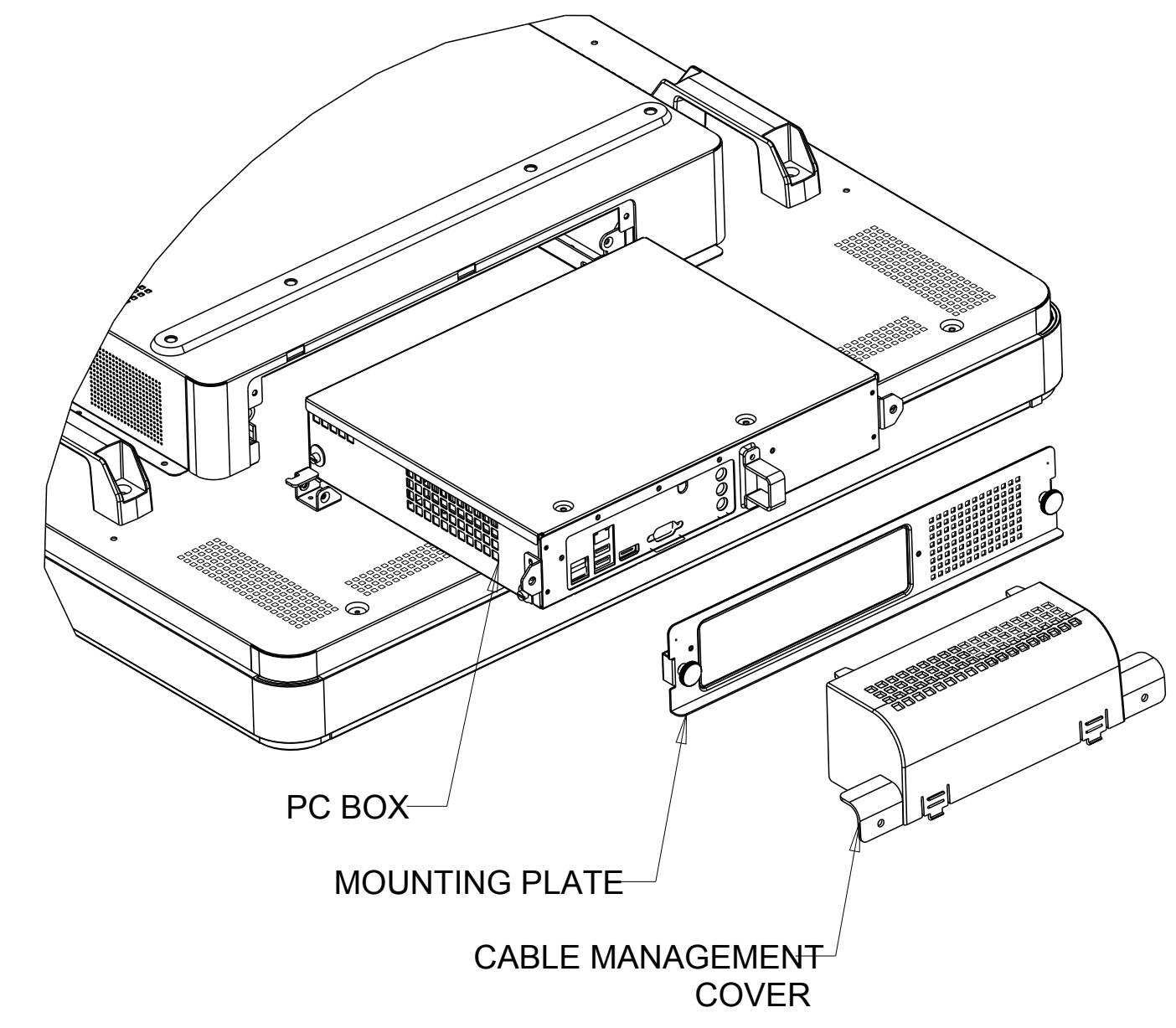


PROPRIETARY TO ELO TOUCH SOLUTIONS, INC. AND SHALL NOT BE DISCLOSED OTHER THAN TO NECESSARY EMPLOYEES OR SUPPLIERS WITHOUT THE EXPRESS WRITTEN CONSENT OF ELO TOUCH SOLUTIONS INC.

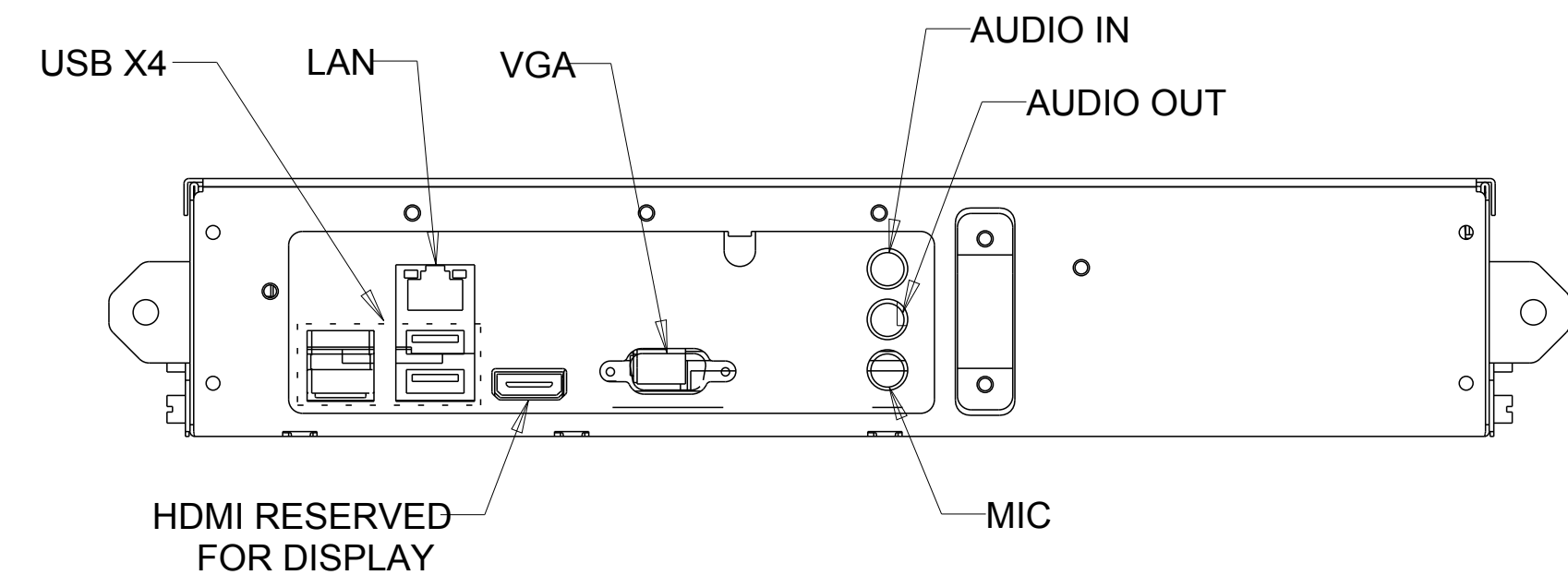
REVISIONS					
REV	ZONE	BY	DESCRIPTION	DATE	APPROVED
A	--	KJN	INITIAL RELEASE	02/08/12	
D	--	DI	REVISED PER ECO-12-016378, ELO TITLE BLOCK WAS TE	09/25/12	



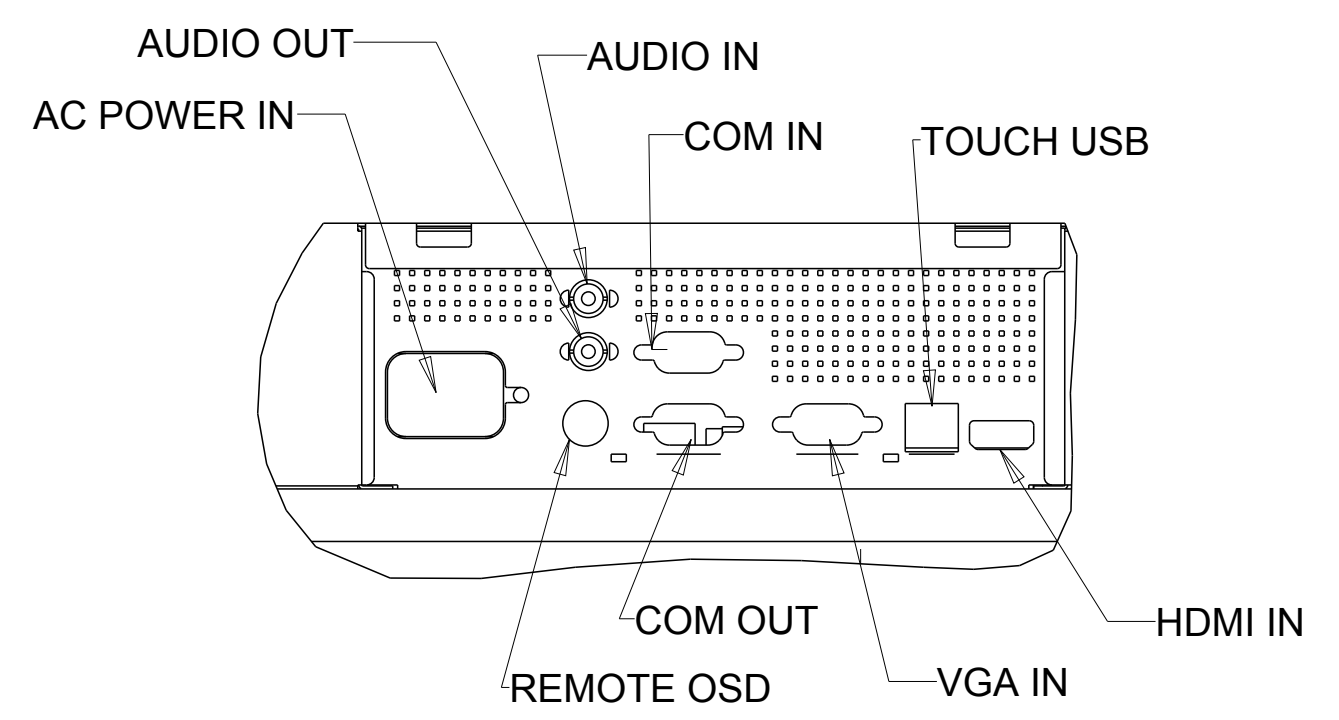
COMPUTER MODULE ASSEMBLY (OPTIONAL)



COMPUTER MODULE I/O PANEL (OPTIONAL)



MONITOR I/O PANEL



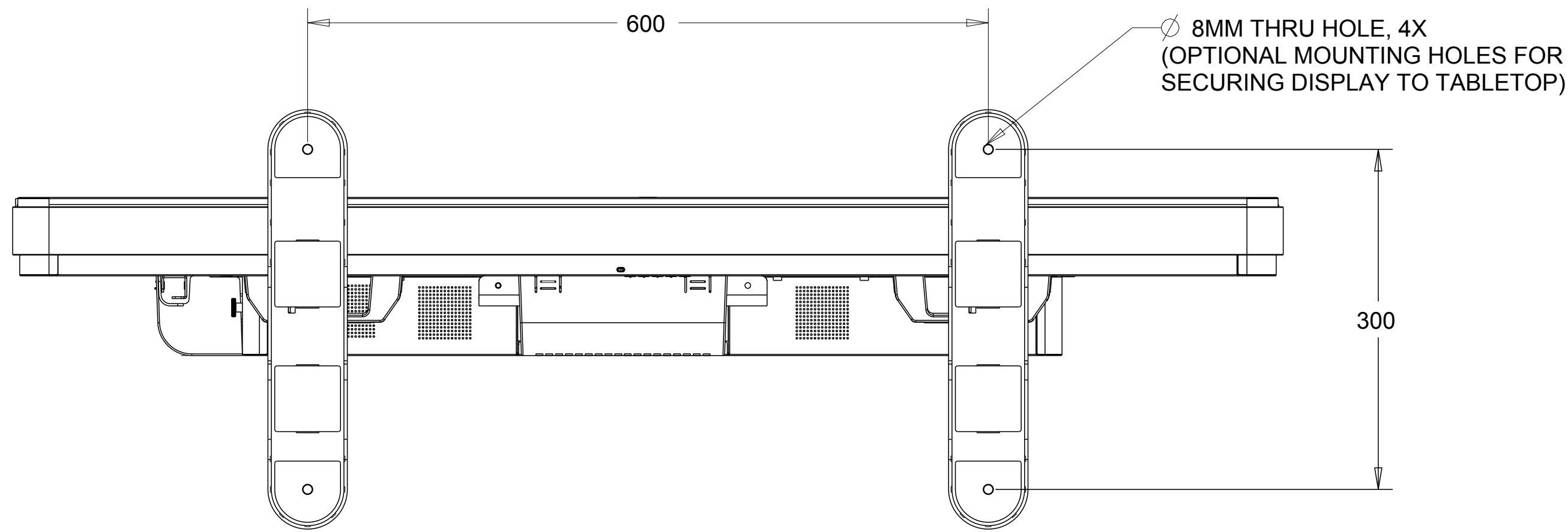
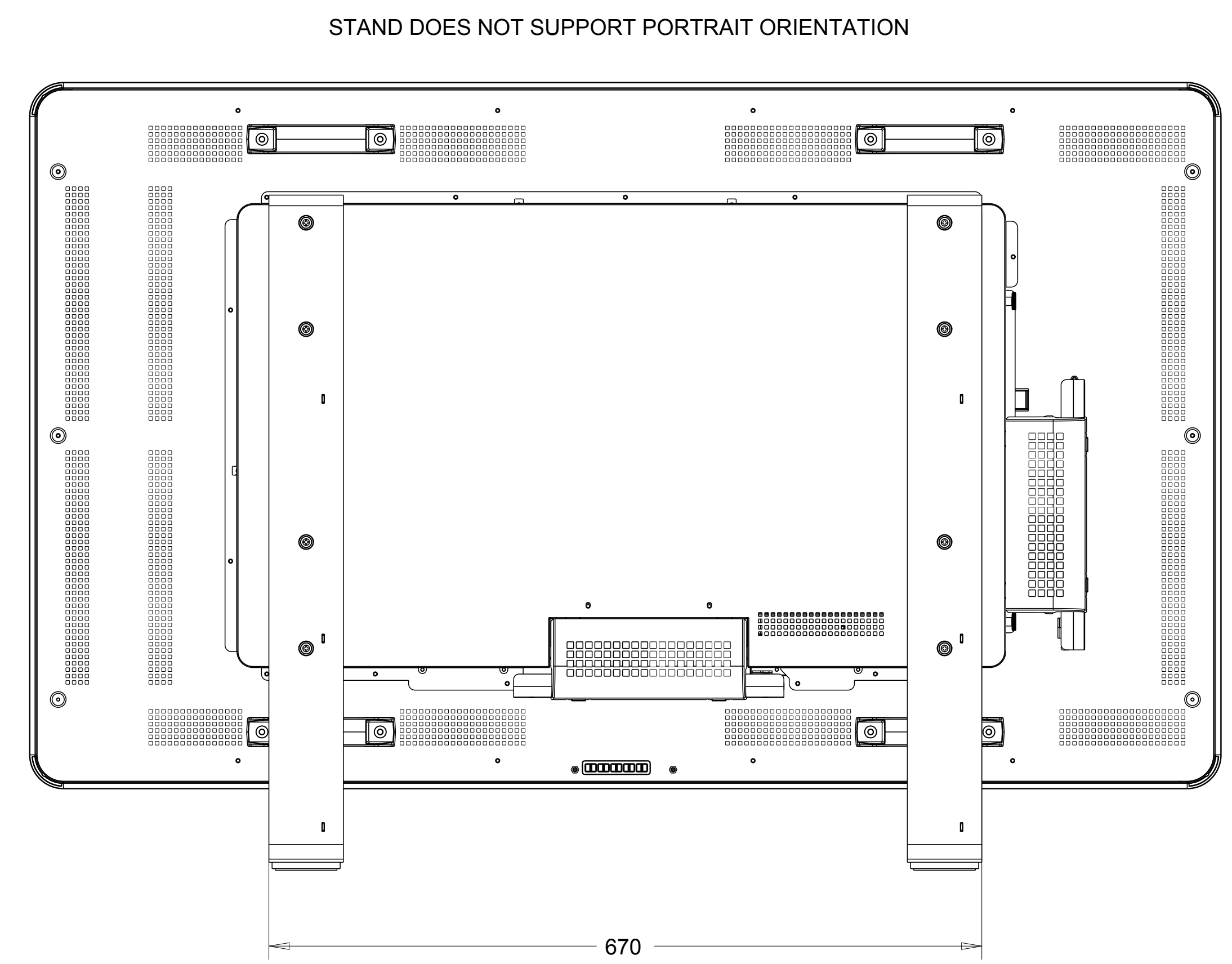
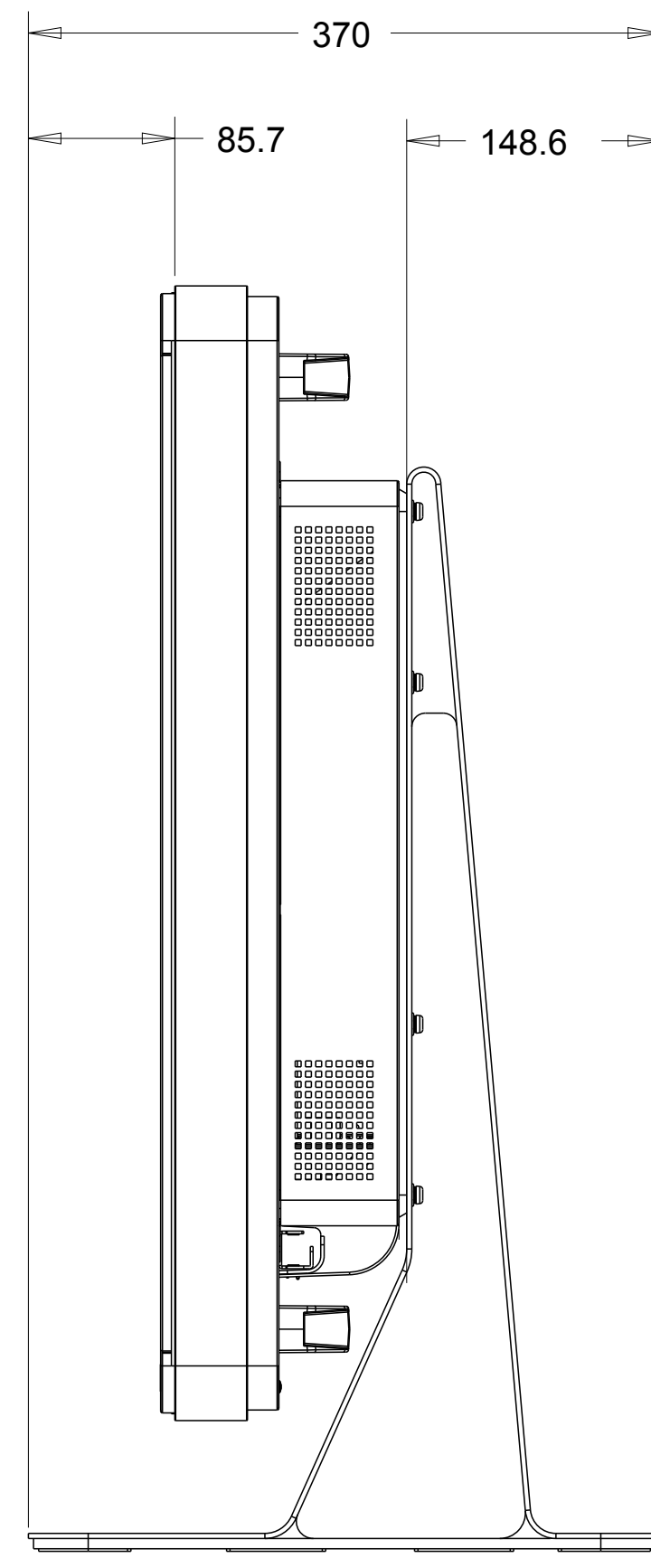
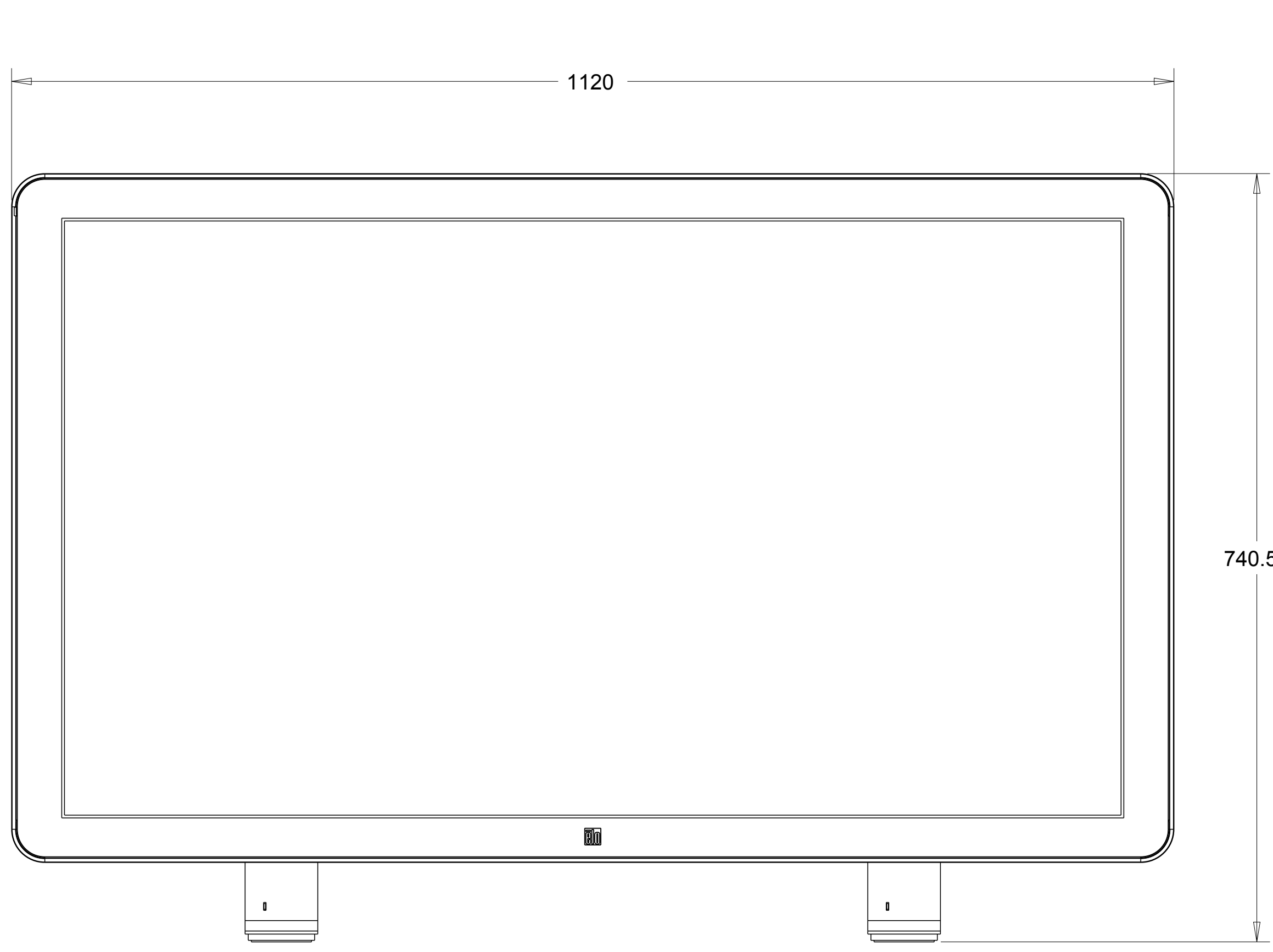
ITEM NO.	QTY REQD	DRAWING OR PART NO.	DESCRIPTION	MATERIAL SPECIFICATION
PARTS LIST				
PART NO.		UNLESS OTHERWISE SPECIFIED ALL DIMENSIONS ARE IN MILLIMETERS	DRAWN KEN NORTH	DATE 00.00.00
METRIC		TOLERANCES ARE: DECIMALS ±1/2" X ±: 0.50 X ±: 0.25 XX ±: 0.13	CHECK	DATE
			DESIGN KEN NORTH	DATE 00.00.00
DO NOT SCALE DRAWING		THIRD ANGLE PROJECTION		DIMENSIONAL DRAWING 4600L
Pro/E prt/asm: PID46_TOP.PRT	Pro/E drw: MS600898_REV.DRW	SIZE D	SCALE 0.250	
		DWG. NO.	REV	
		MS600898	D	

DWG. NO. MS600898 SHT. 1 OF 2 REV. D

PROPRIETARY TO ELO TOUCH SOLUTIONS, INC. AND SHALL NOT BE DISCLOSED OTHER THAN TO NECESSARY EMPLOYEES OR SUPPLIERS WITHOUT THE EXPRESS WRITTEN CONSENT OF ELO TOUCH SOLUTIONS INC.

REVISIONS					
REV	ZONE	BY	DESCRIPTION	DATE	APPROVED
			SEE SHEET ONE		

OPTIONAL STAND KIT P/N:E448725



ITEM NO.	QTY REQ'D	DRAWING OR PART NO.	DESCRIPTION	MATERIAL SPECIFICATION
PARTS LIST				
PART NO.		UNLESS OTHERWISE SPECIFIED ALL DIMENSIONS ARE IN MILLIMETERS	DRAWN KEN NORTH	DATE 00.00.00
METRIC		TOLERANCES ARE: DECIMALS ANGLES X ±: 0.50 ±1/ 2" X ±: 0.25 FRACTIONS XX ±: 0.13 ±1/ 32	CHECK	DATE
			DESIGN KEN NORTH	DATE 00.00.00
DO NOT SCALE DRAWING			THIRD ANGLE PROJECTION	
Pro/E prt/asm: PID46_TOP.PRT				SIZE
Pro/E drw: MS600898_REV0.DRW				D
		SCALE	SHEET	DWG. NO.
		0.250	2 OF 2	MS600898
				REV
				D

DWTG. NO. MS600898