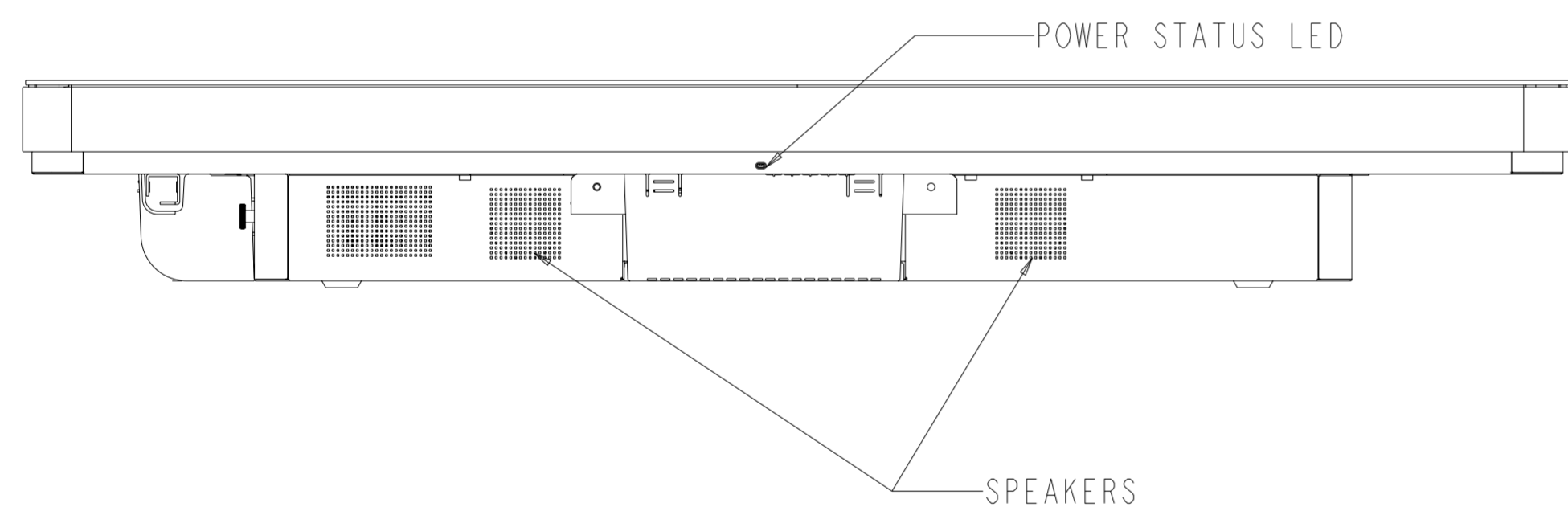
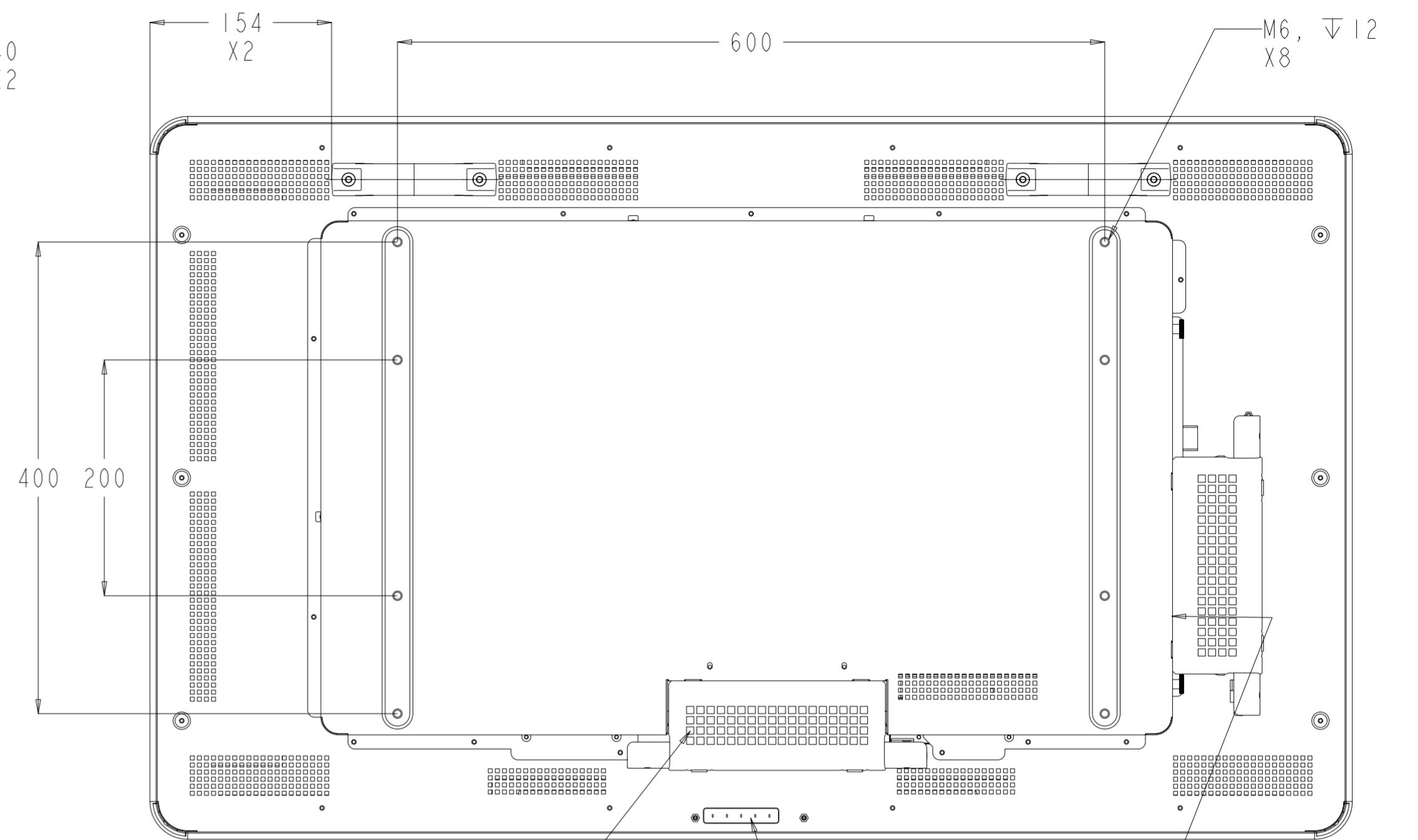


APR=136.5
INTELLITOUCH=140.3

APR=61.7
INTELLITOUCH=65.5

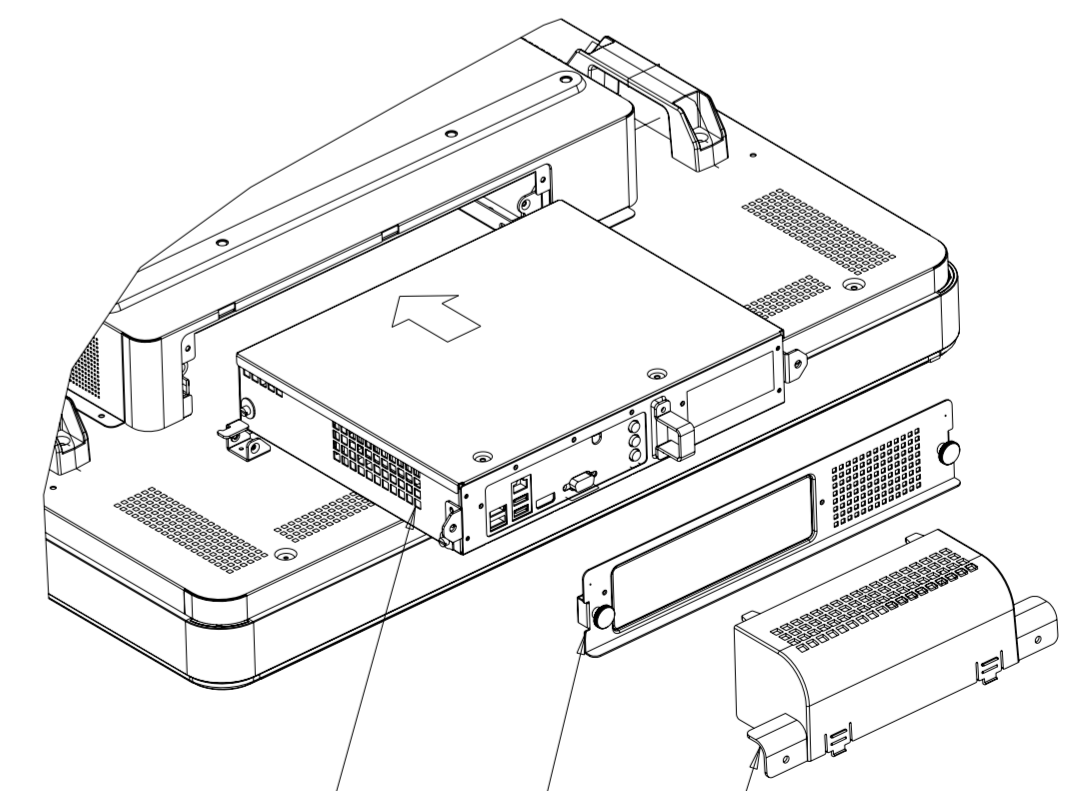


CABLE MANAGEMENT COVER

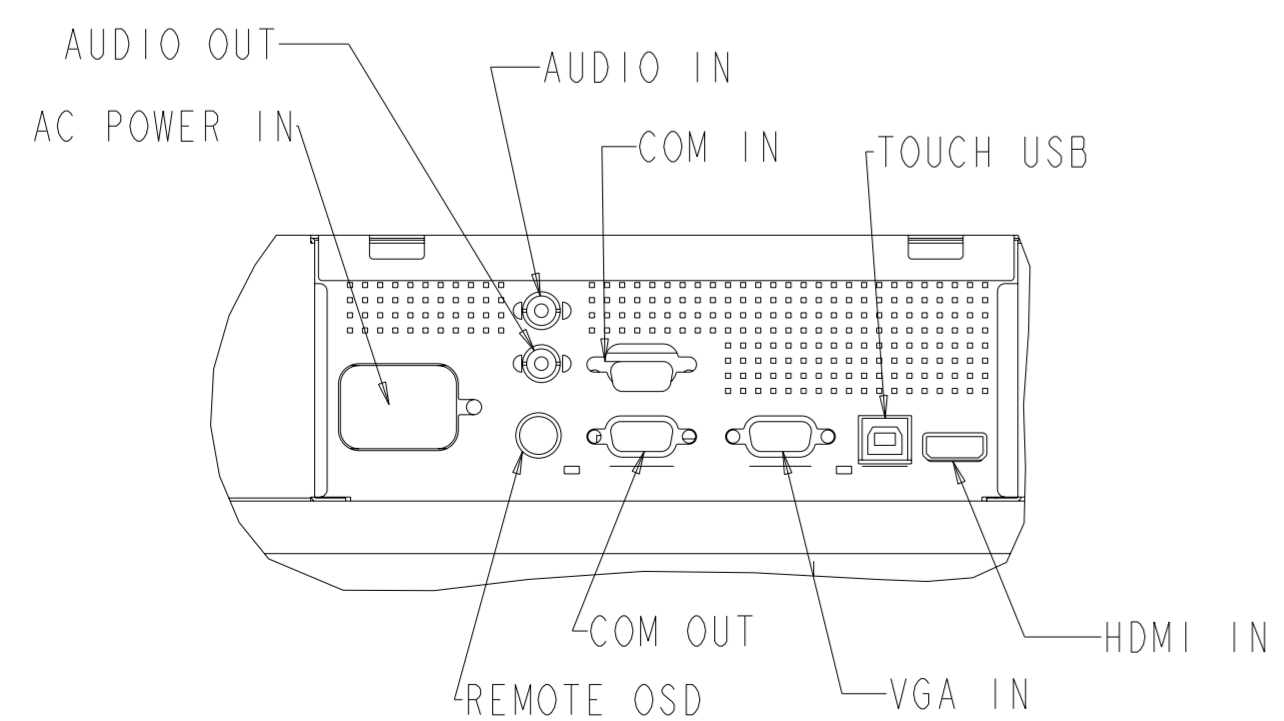
OSD CONTROLS

OPTIONAL COMPUTER MODULE LOCATION

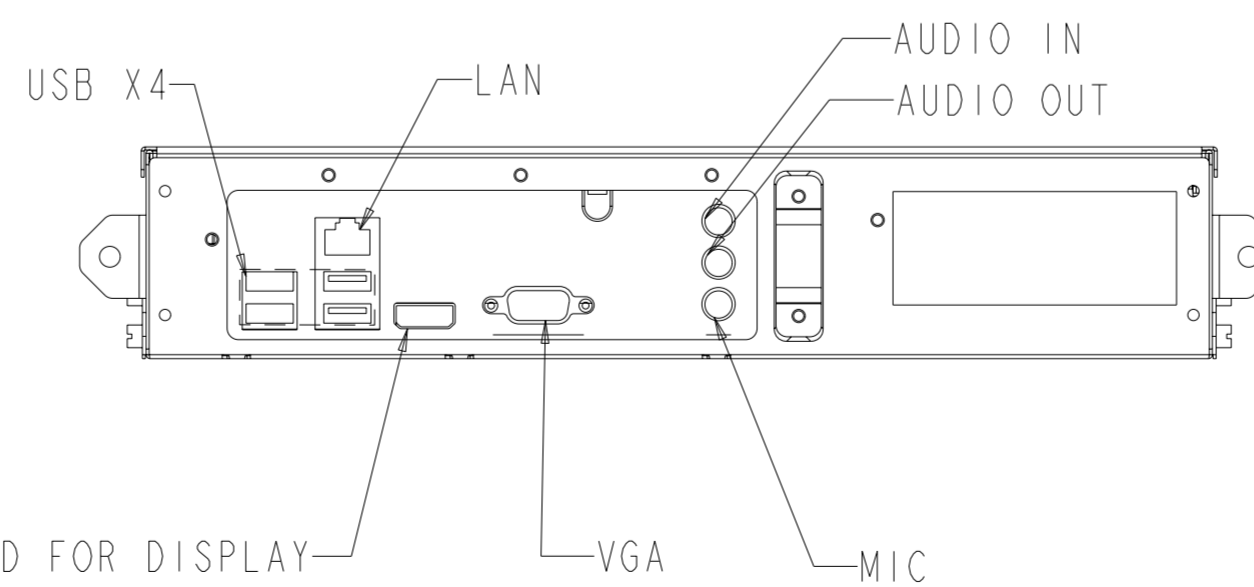
COMPUTER MODULE ASSEMBLY
(OPTIONAL)



MONITOR I/O PANEL

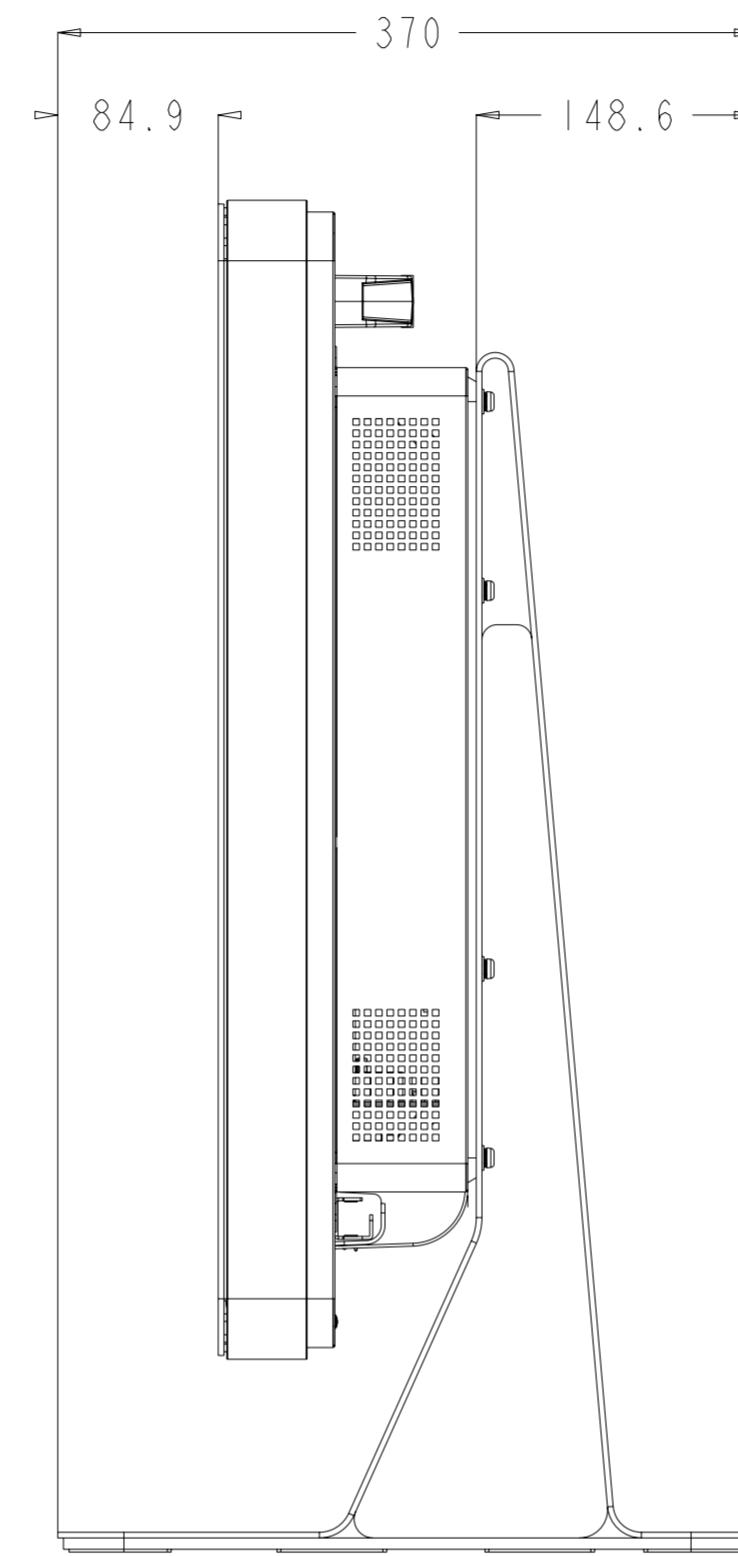


COMPUTER MODULE I/O PANEL
(OPTIONAL)

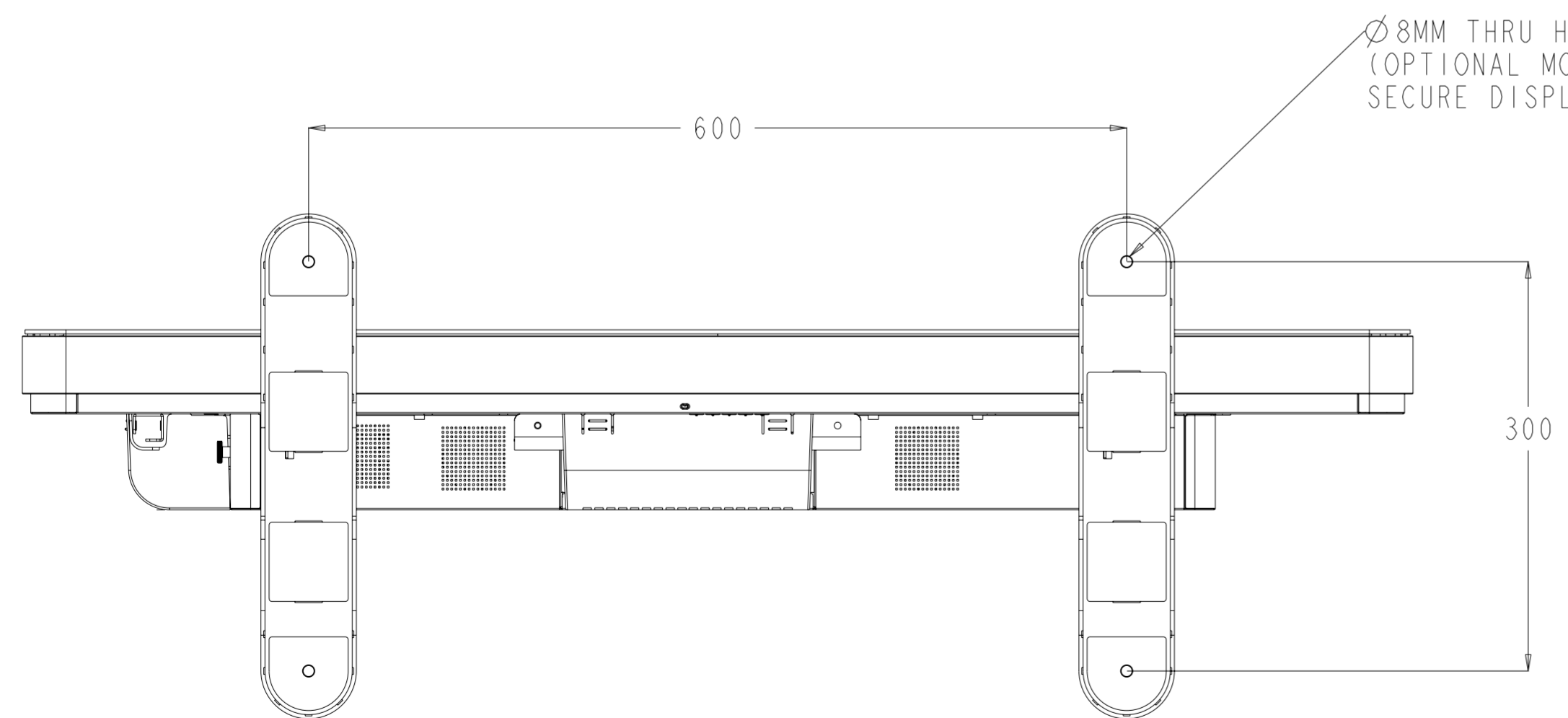
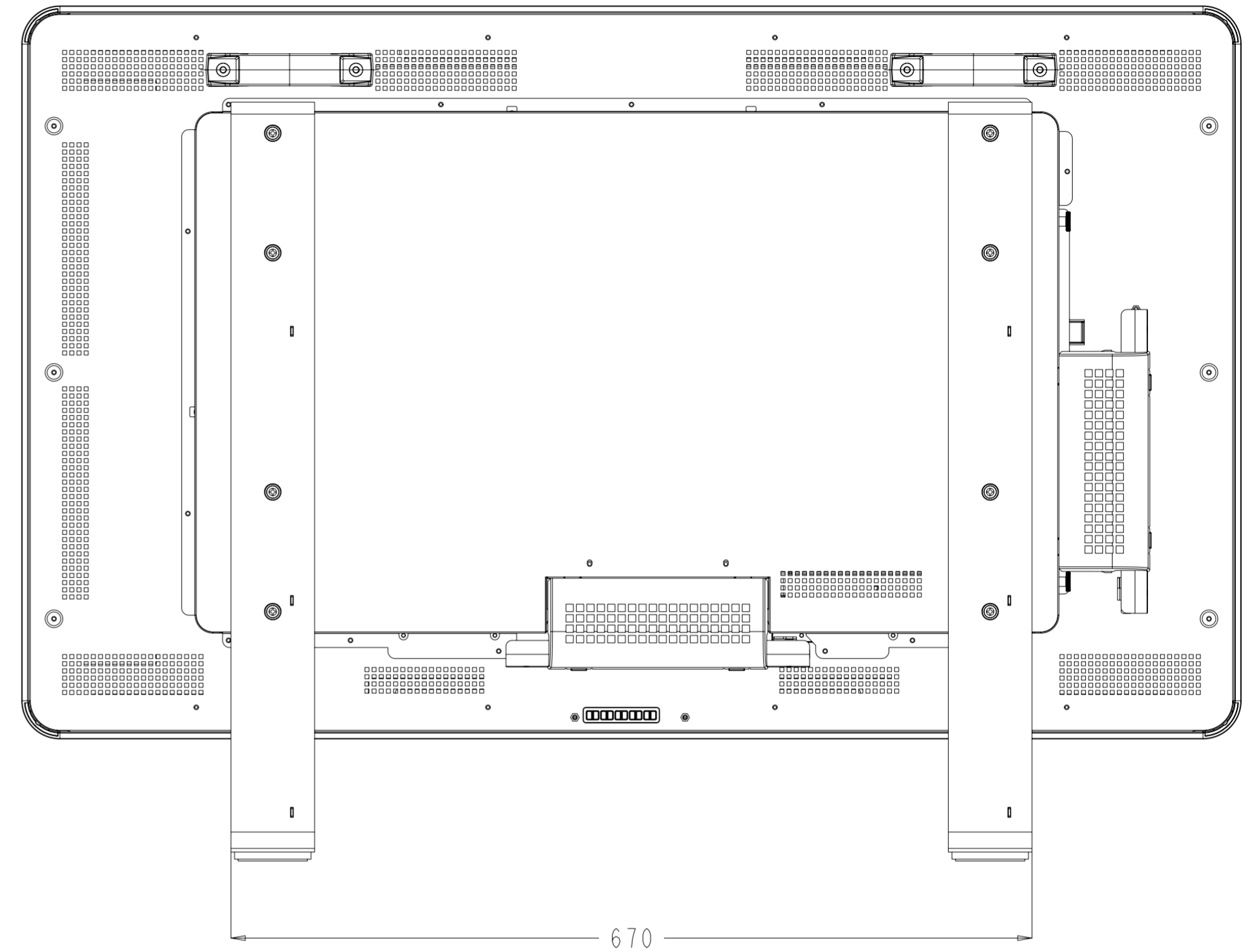


TITLE: 4200L

OPTIONAL STAND KIT P/N:E448725



STAND DOES NOT SUPPORT PORTRAIT ORIENTATION



Ø8MM THRU HOLE, 4X
(OPTIONAL MOUNTING HOLES TO
SECURE DISPLAY TO TABLETOP)

DIMENSIONS ARE IN MILLIMETERS