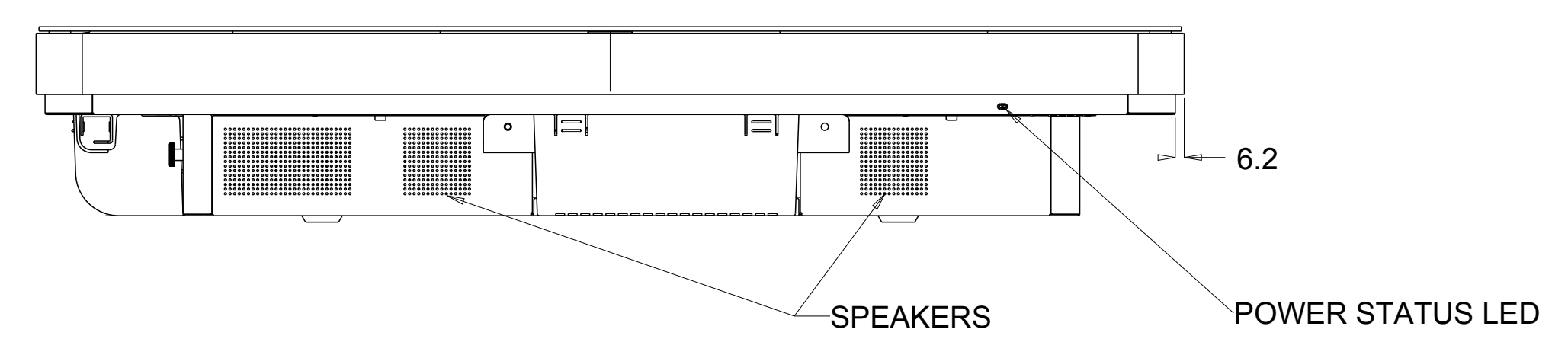
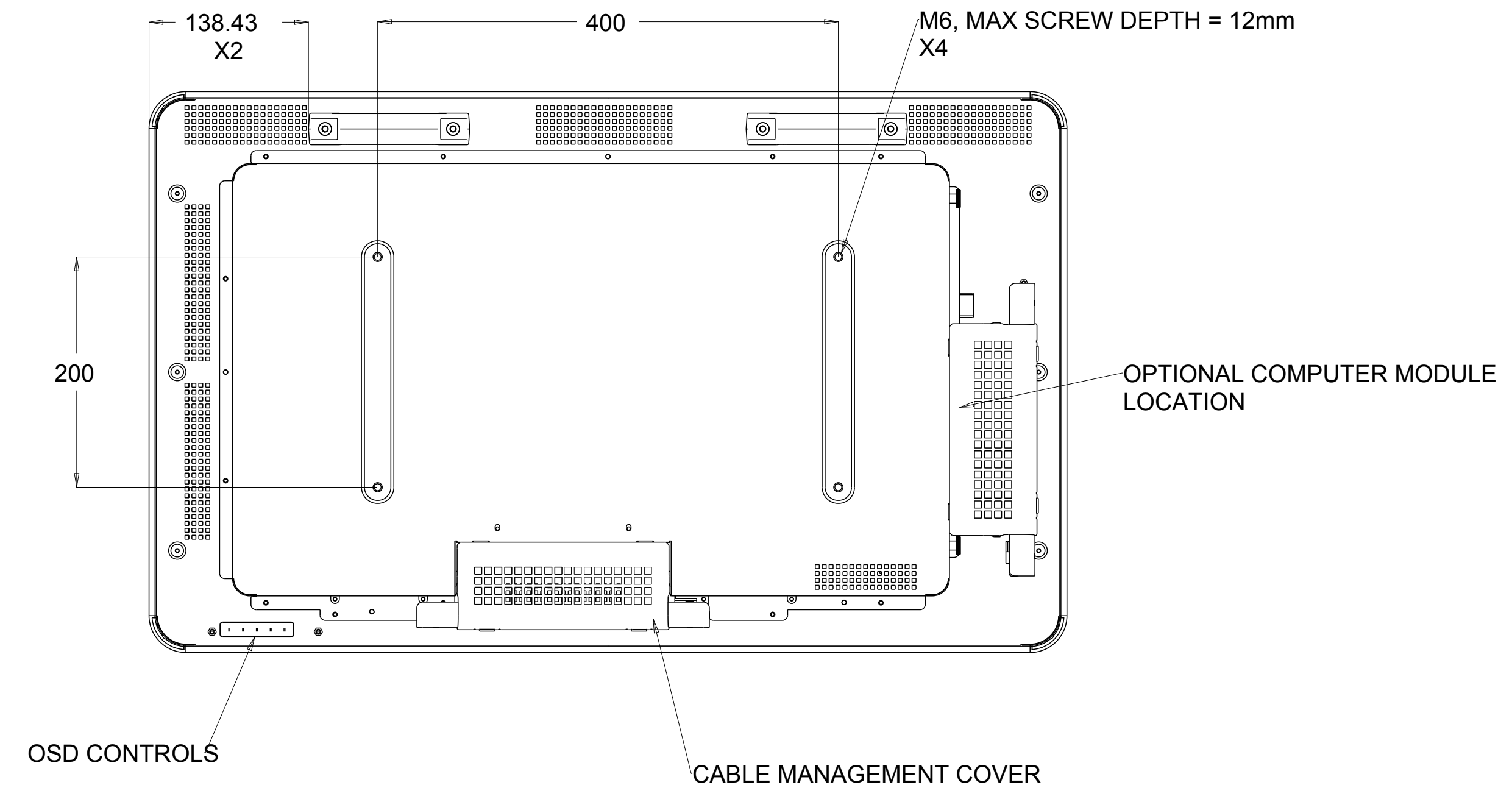
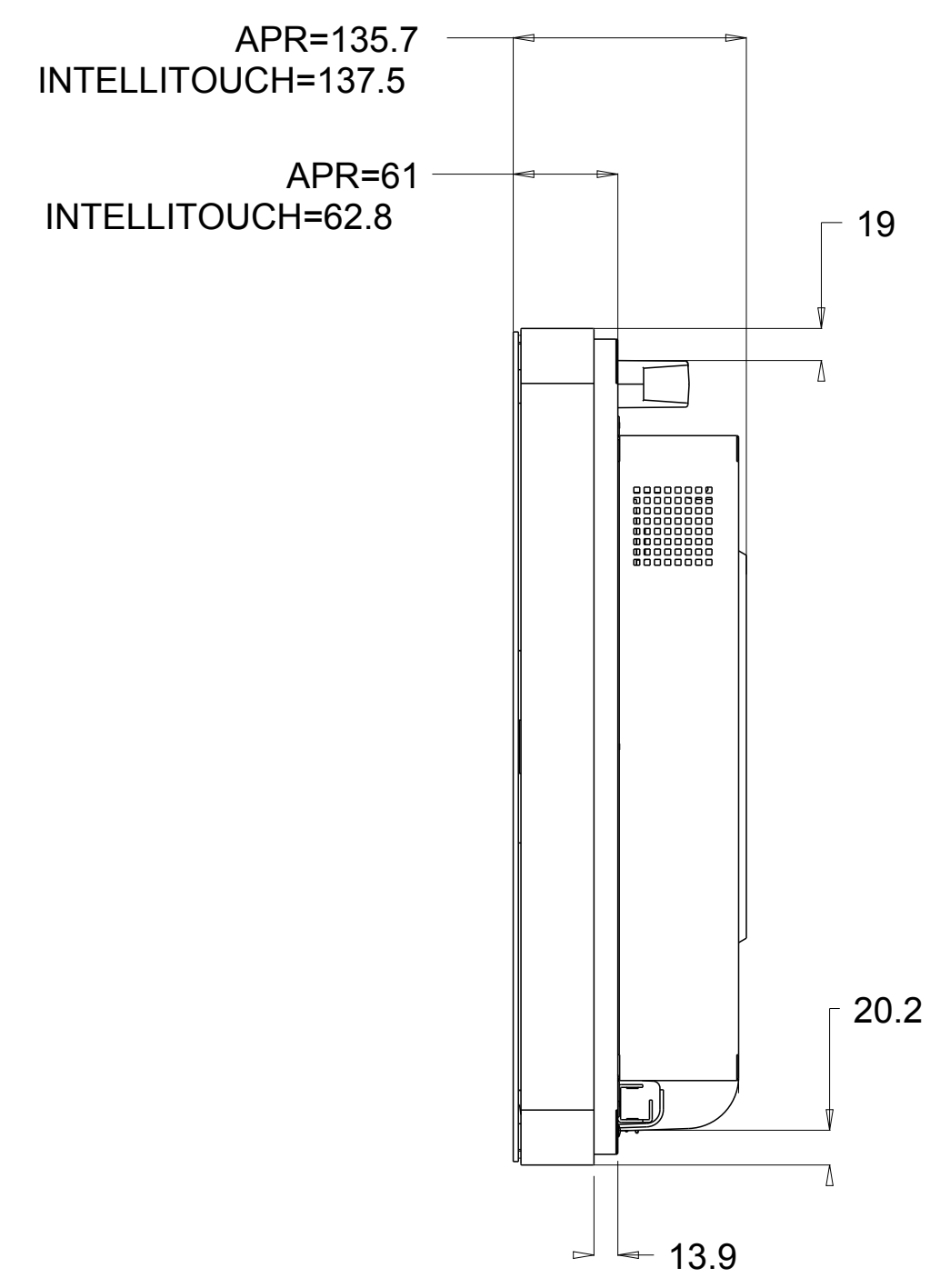
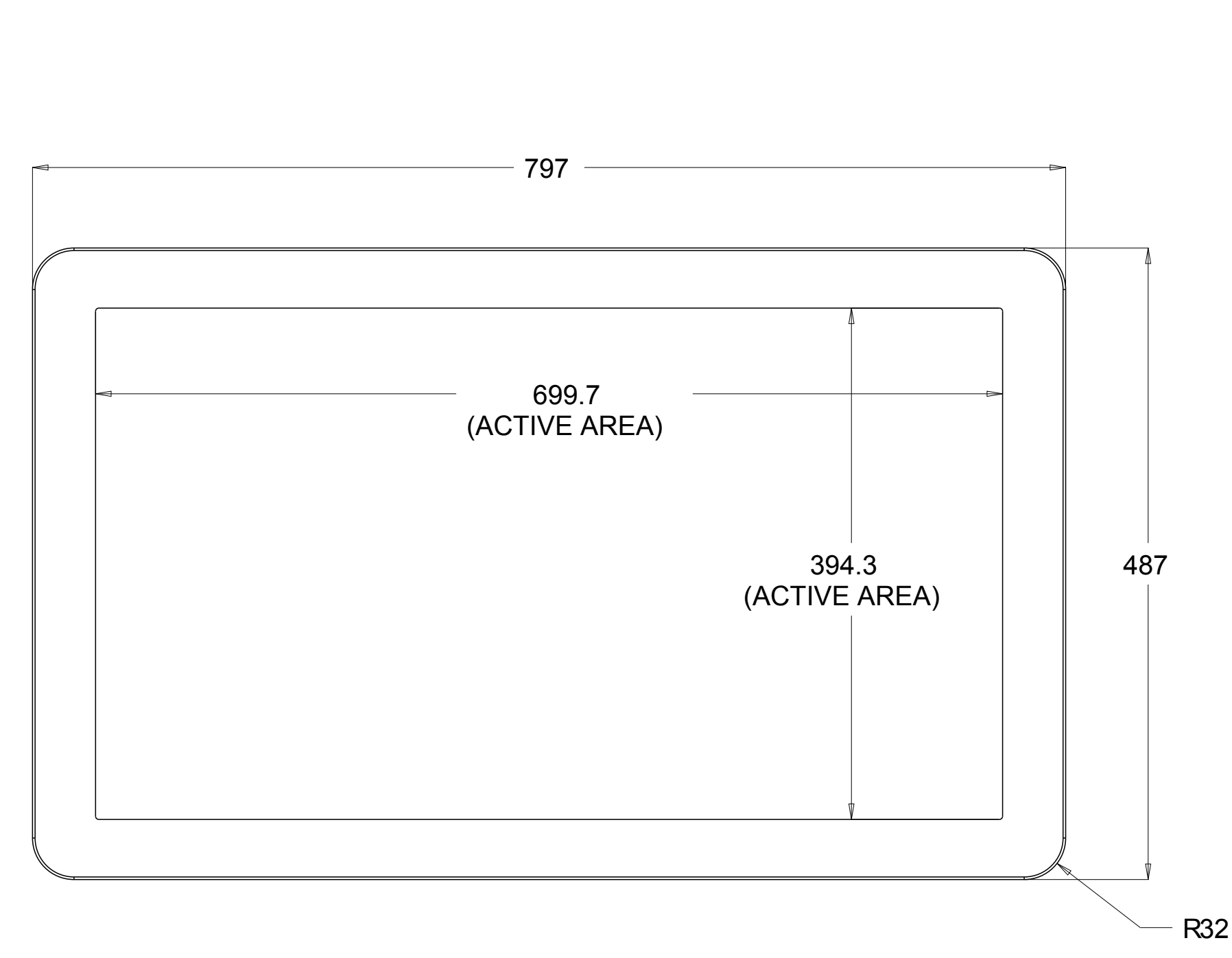
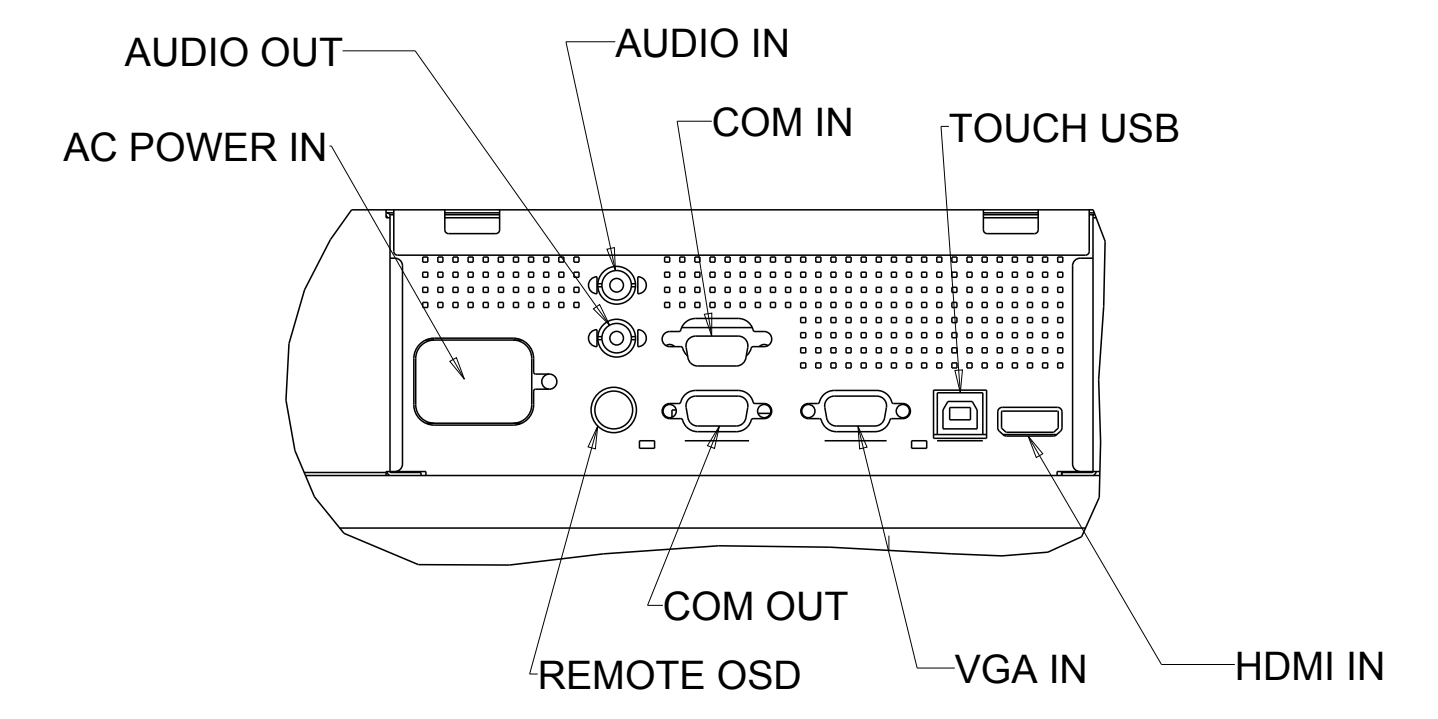


PROPRIETARY TO ELO TOUCH SOLUTIONS, INC. AND SHALL NOT BE DISCLOSED OTHER THAN TO NECESSARY EMPLOYEES OR SUPPLIERS WITHOUT THE EXPRESS WRITTEN CONSENT OF ELO TOUCH SOLUTIONS INC.

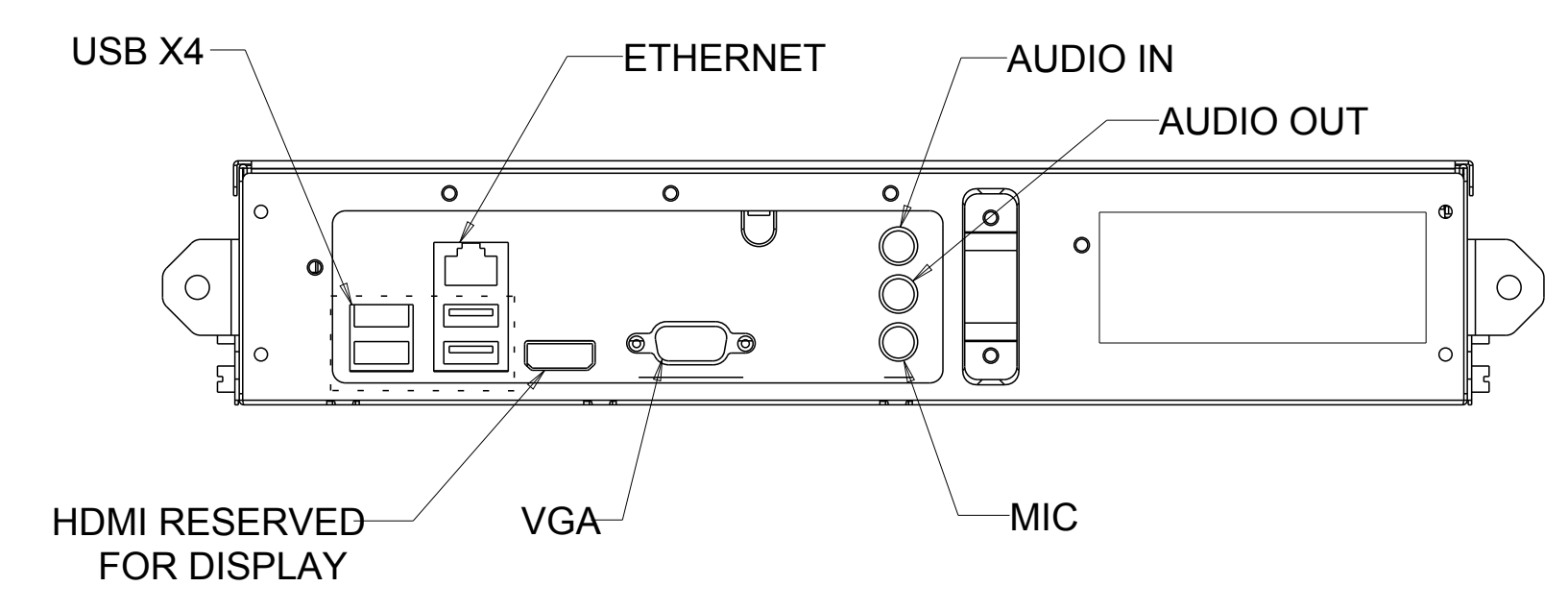
REVISIONS					
REV	ZONE	BY	DESCRIPTION	DATE	APPROVED
A	--	KJN	INITIAL RELEASE	03/29/11	
D	--	DI	REVISED PER ECO-12-016378, ELO TITLE BLOCK WAS TE	09/25/12	



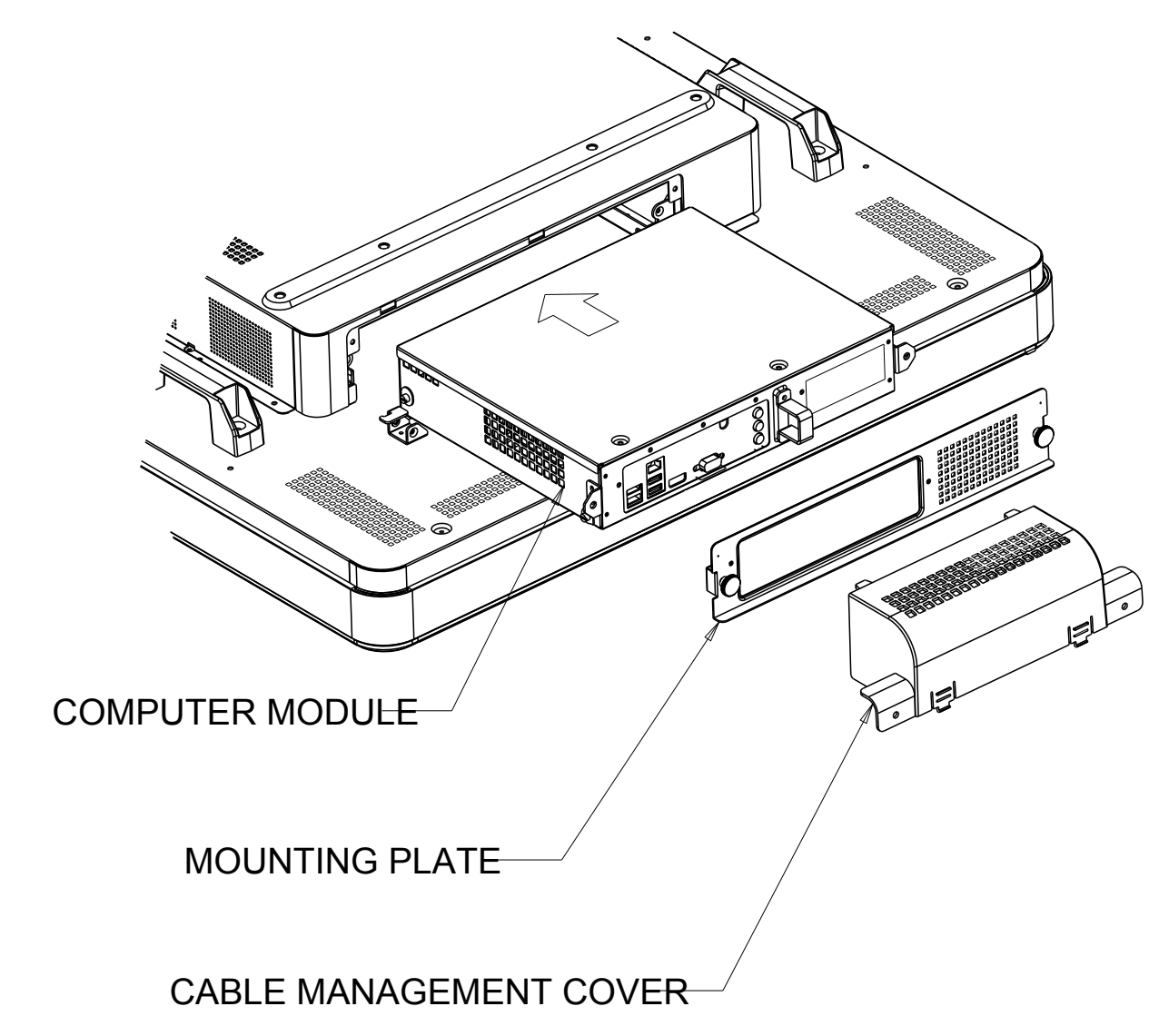
MONITOR I/O PANEL



COMPUTER MODULE I/O PANEL (OPTIONAL)



COMPUTER MODULE ASSEMBLY (OPTIONAL)



ITEM NO.	QTY REQD	DRAWING OR PART NO.	DESCRIPTION	MATERIAL SPECIFICATION
PARTS LIST				
PART. NO.		UNLESS OTHERWISE SPECIFIED ALL DIMENSIONS ARE IN MILLIMETERS	DRAWN KEN NORTH	DATE 00.00.00
METRIC		TOLERANCES ARE: DECIMALS ANGLES X ± 0.50 ± 1/ 2° X ± 0.25 FRACTIONS XX ± 0.13 ± 1/ 32	CHECK	DATE
			DESIGN KEN NORTH	DATE 00.00.00
DO NOT SCALE DRAWING		THIRD ANGLE PROJECTION		<div style="text-align: center;"> </div>
Pro/E prt/asm: PID32_PCBOX.PRT Pro/E dwg: MS600887_REV.DRW		SIZE D	SCALE 0.333	
		DWG. NO. MS600887	REV D	

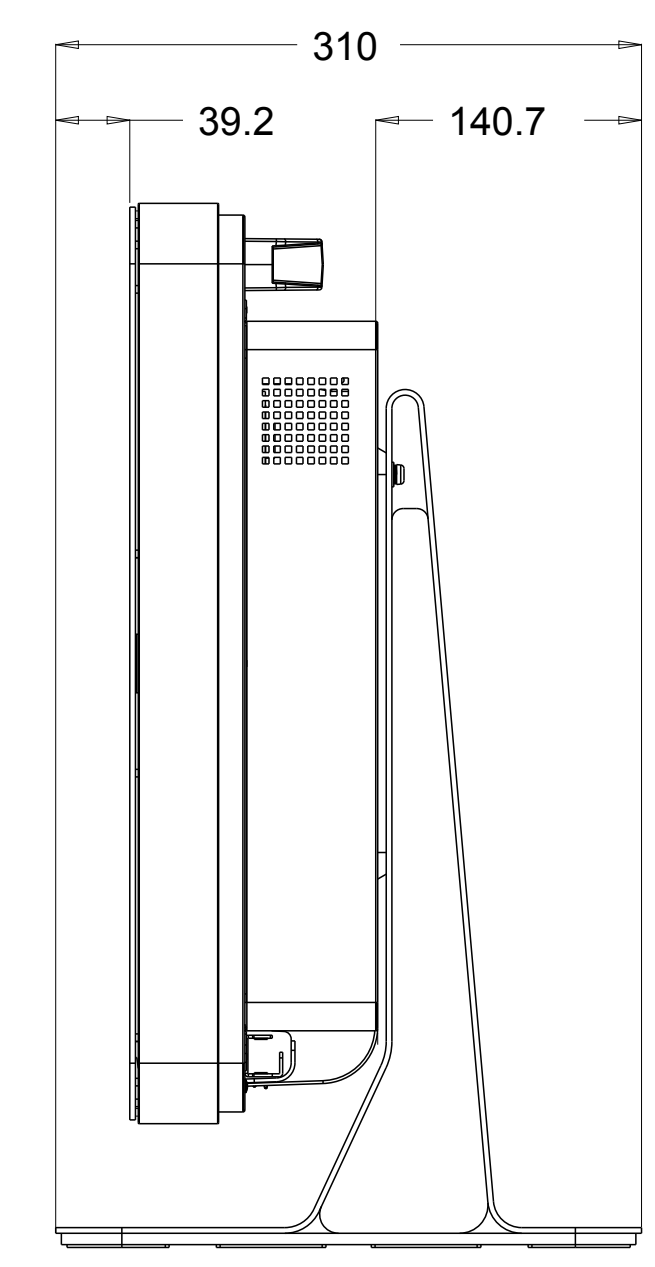
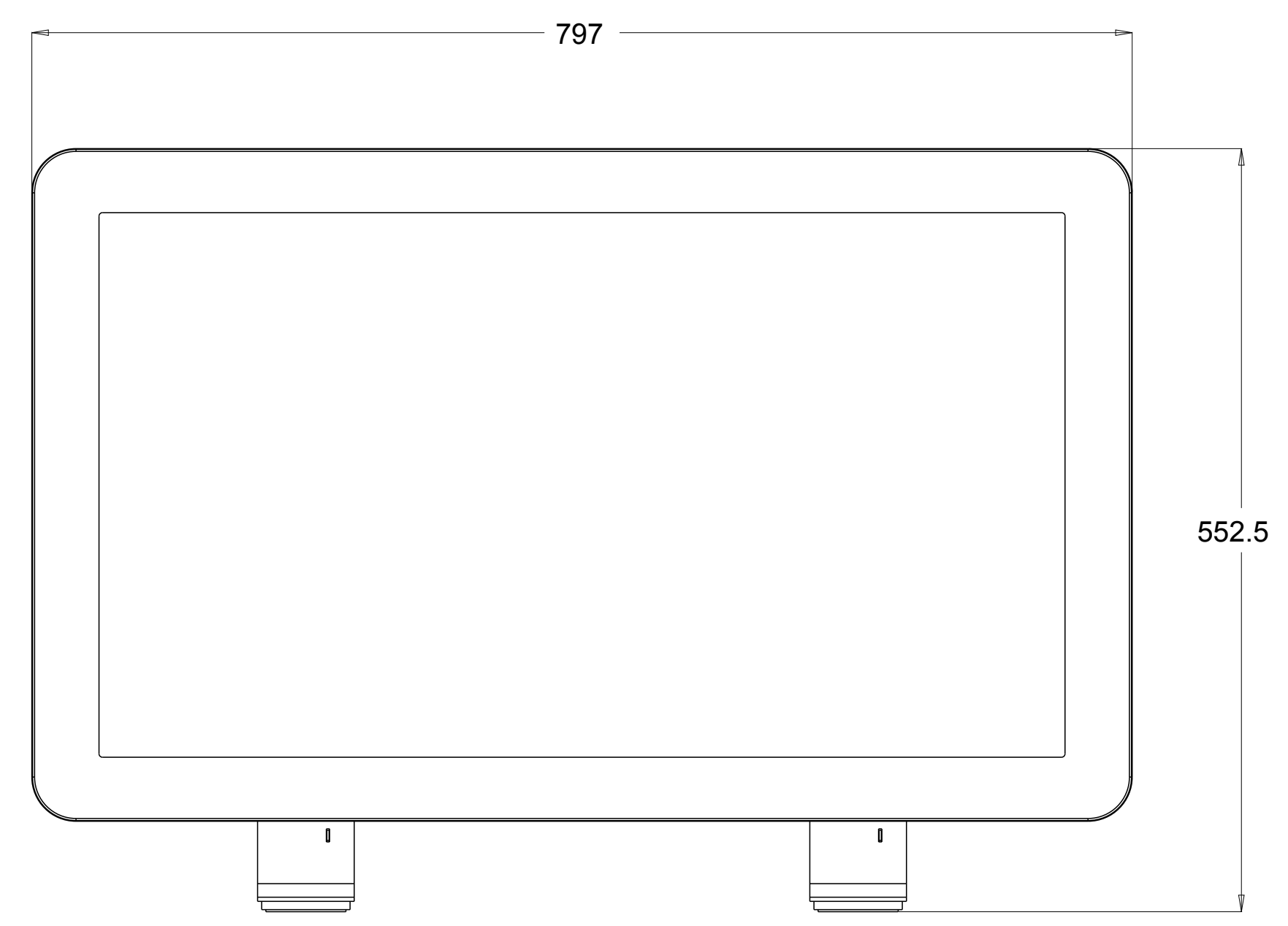
DIMENSIONAL DRAWING 3200L

DWG. NO. MS600887 SHT. 1 OF 2 REV. D

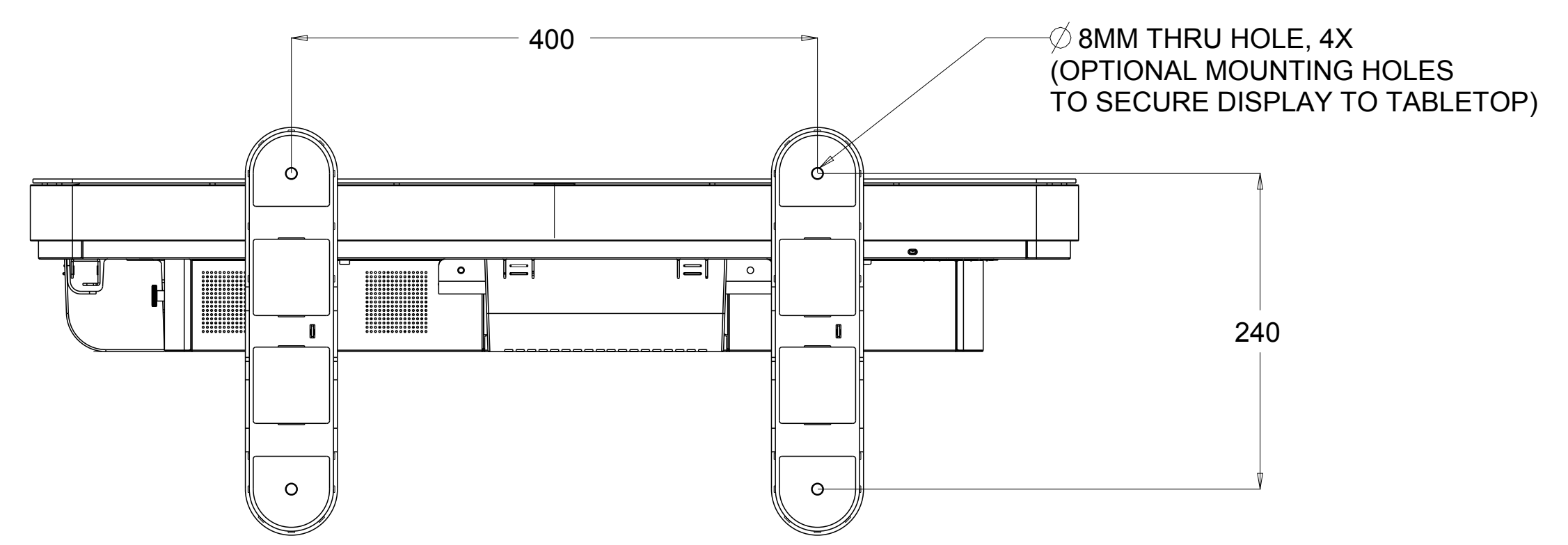
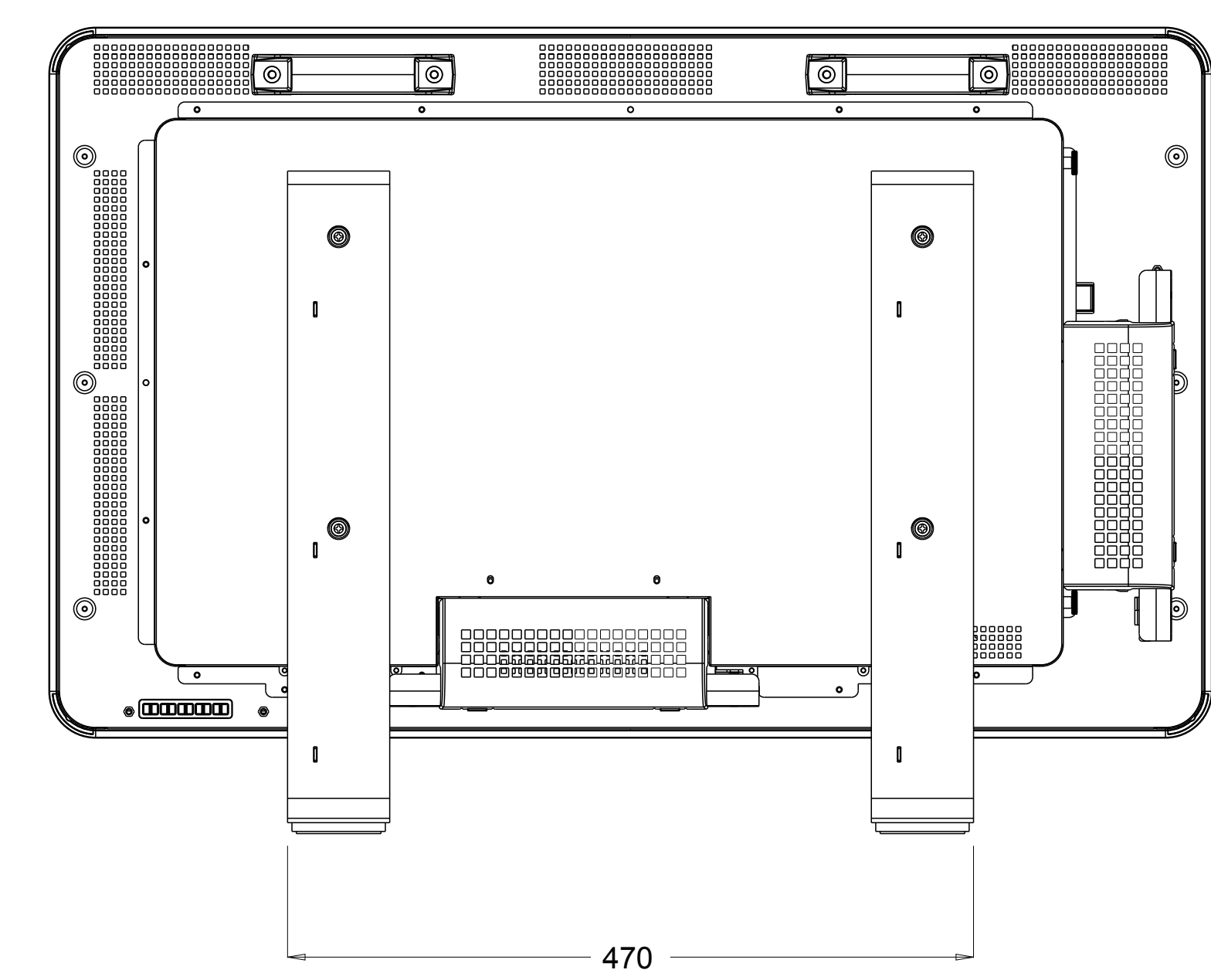
PROPRIETARY TO ELO TOUCH SOLUTIONS, INC. AND SHALL NOT BE DISCLOSED OTHER THAN TO NECESSARY EMPLOYEES OR SUPPLIERS WITHOUT THE EXPRESS WRITTEN CONSENT OF ELO TOUCH SOLUTIONS INC.

REVISIONS					
REV	ZONE	BY	DESCRIPTION	DATE	APPROVED
			SEE SHEET ONE		

OPTIONAL STAND KIT P/N: E953908



STAND DOES NOT SUPPORT PORTRAIT ORIENTATION



ITEM NO.	QTY REQD	DRAWING OR PART NO.	DESCRIPTION	MATERIAL SPECIFICATION
PARTS LIST				
PART. NO.		UNLESS OTHERWISE SPECIFIED ALL DIMENSIONS ARE IN MILLIMETERS	DRAWN KEN NORTH	DATE 00.00.00
METRIC		TOLERANCES ARE: DECIMALS ANGLES X ± 0.50 ± 1/ 2° X ± 0.25 FRACTIONS XX ± 0.13 ± 1/ 32	CHECK	DATE
			DESIGN KEN NORTH	DATE 00.00.00
THIRD ANGLE PROJECTION				
Pro/E prt/asm: PID32_PCBOX.PRT				SIZE D
Pro/E drw: MS600887_REV.DRW				SCALE 0.333
			TITLE DIMENSIONAL DRAWING 3200L	
				REV D

DWG. NO. MS600887