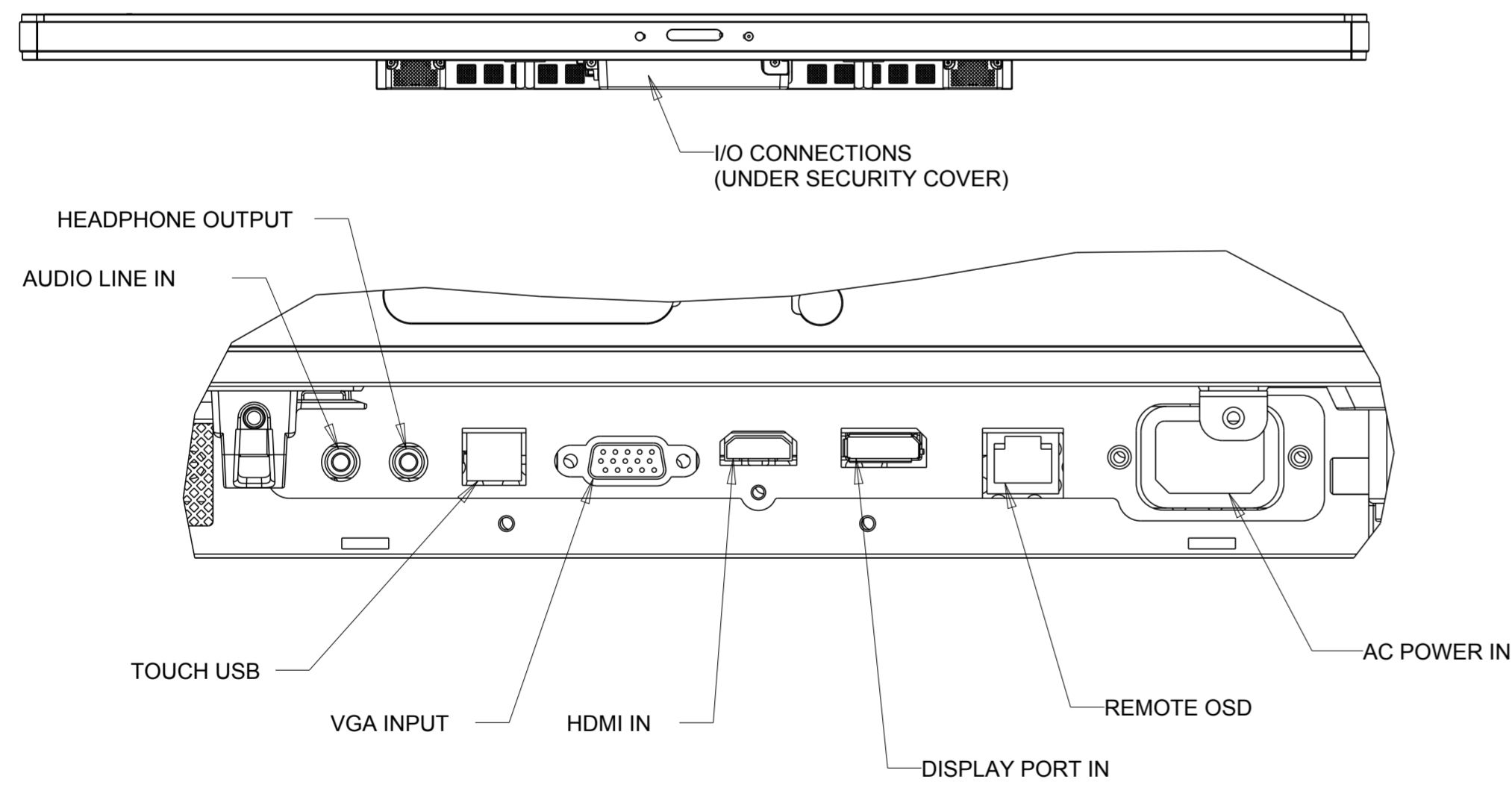
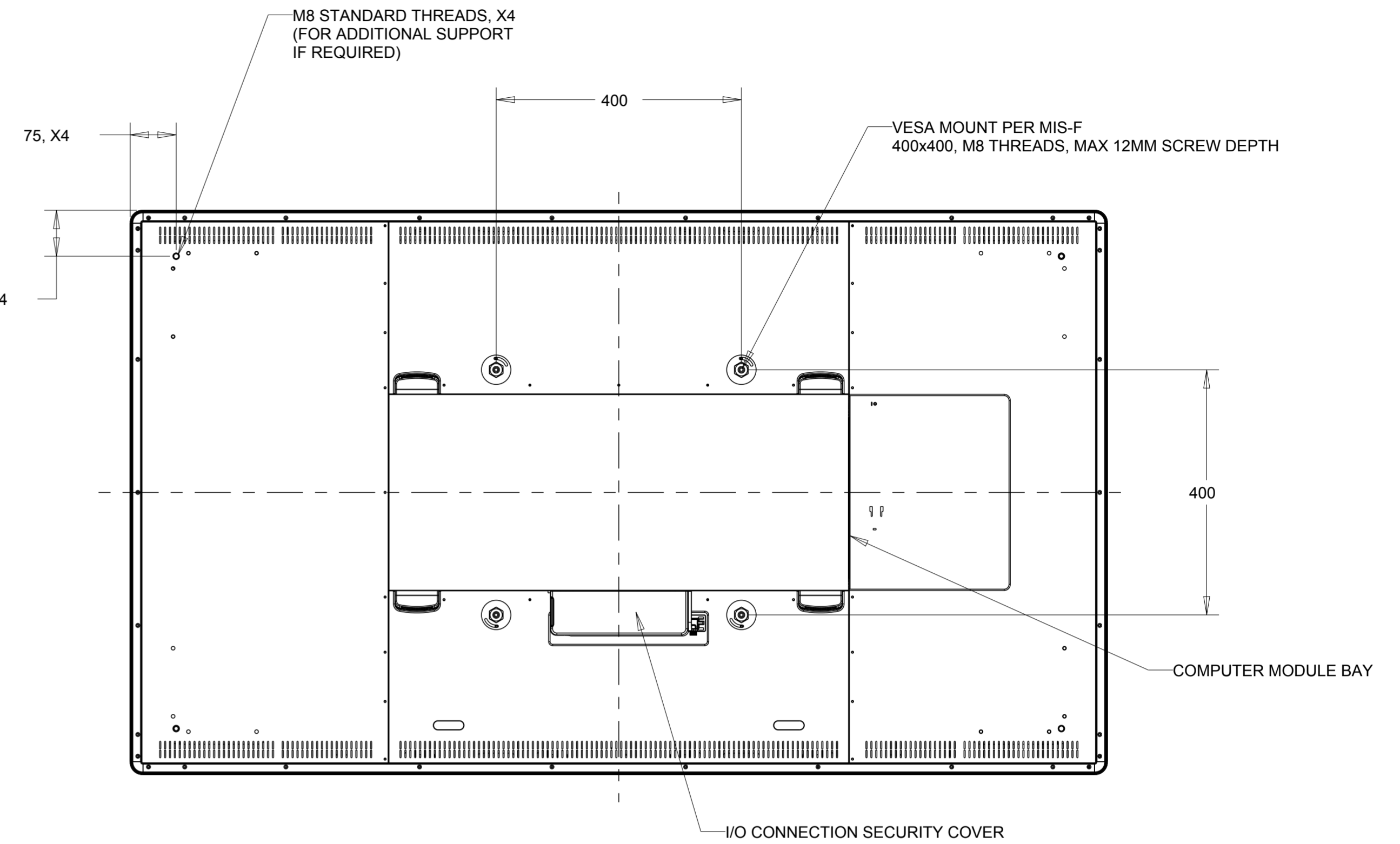
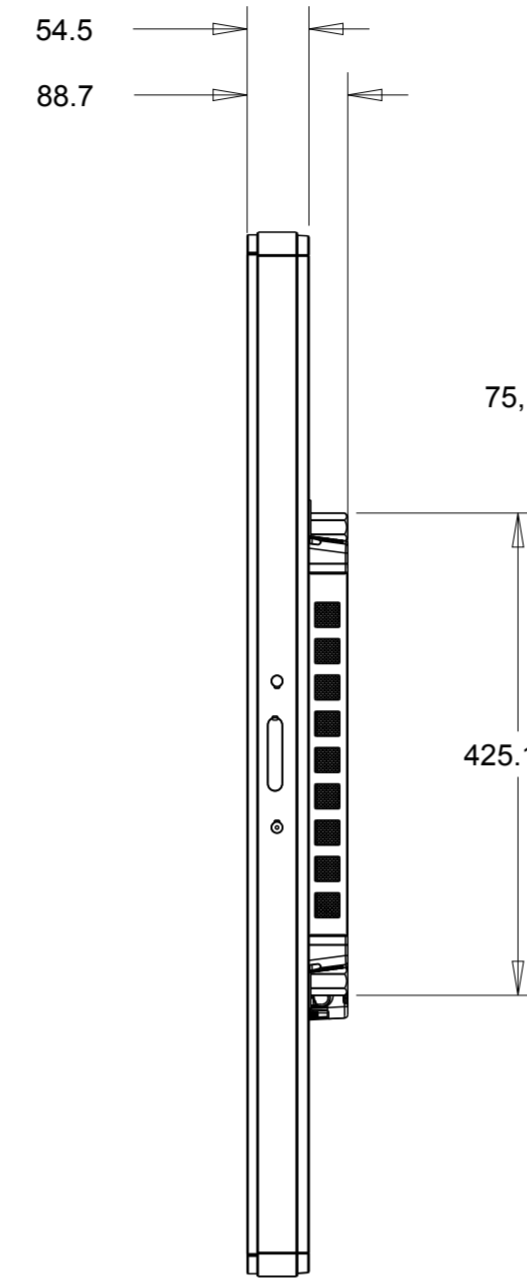
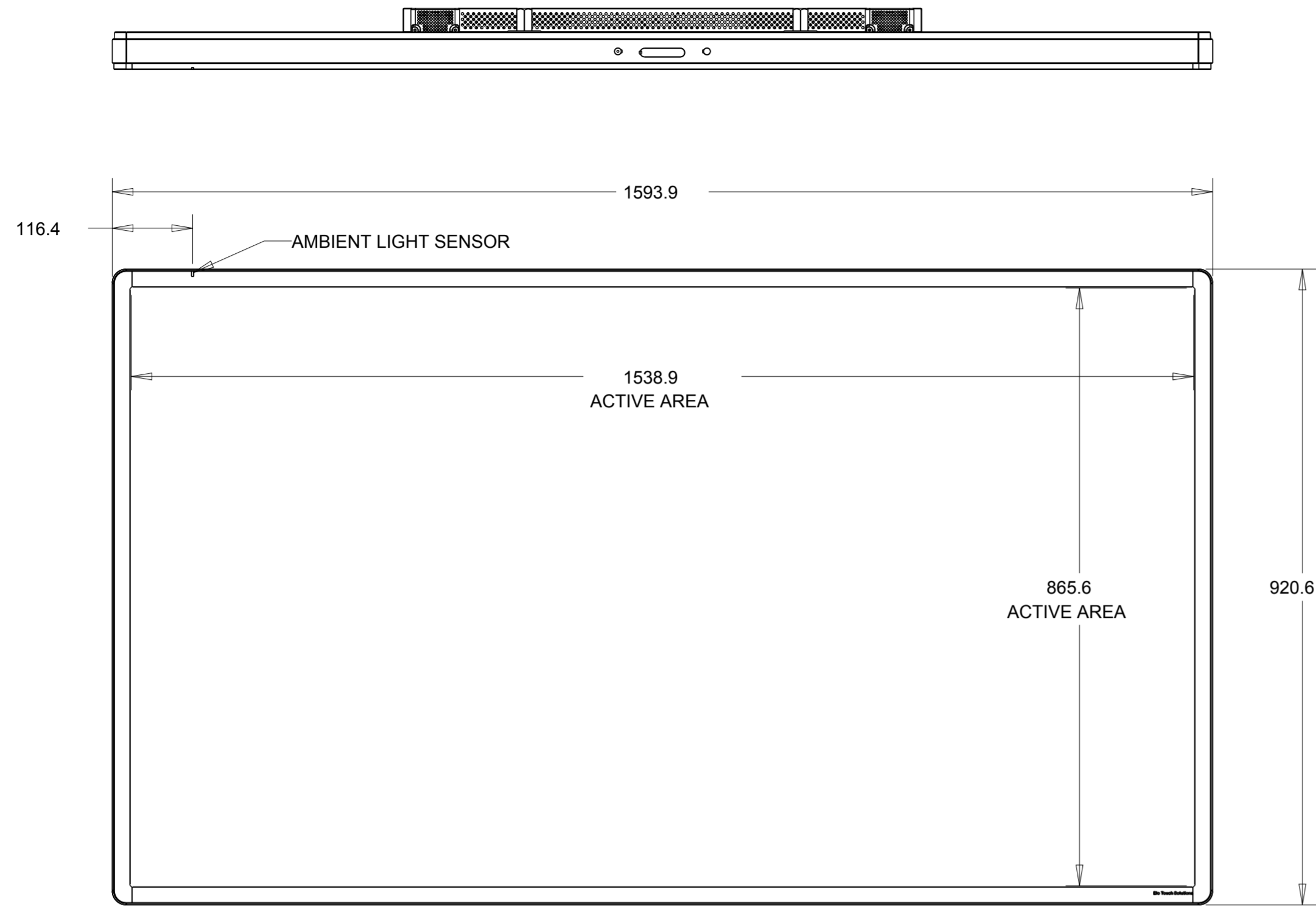
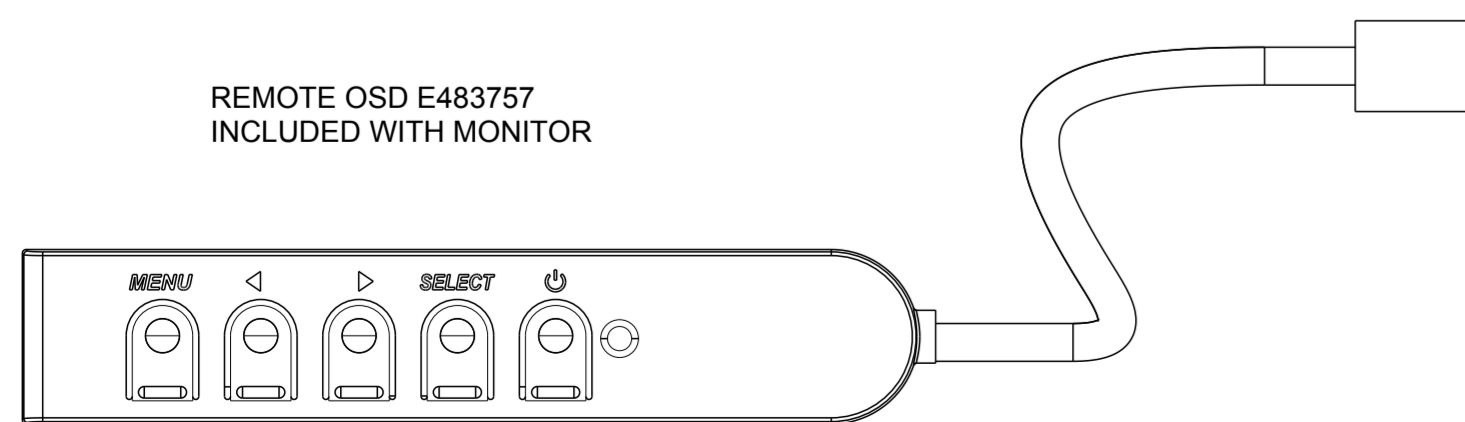


TITLE: DIMENSIONAL DRAWING, 7001L



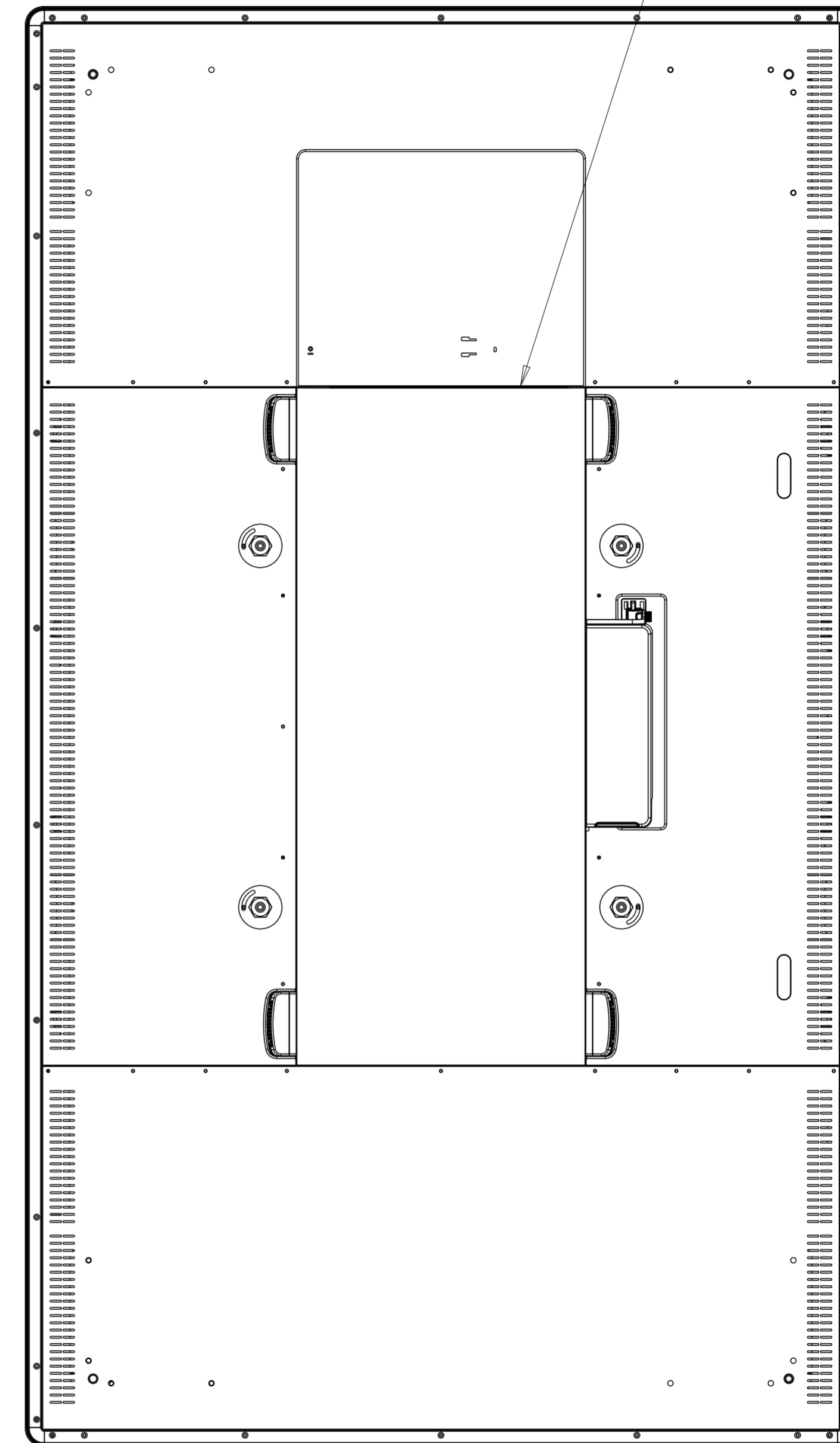
REMOTE OSD E483757
INCLUDED WITH MONITOR



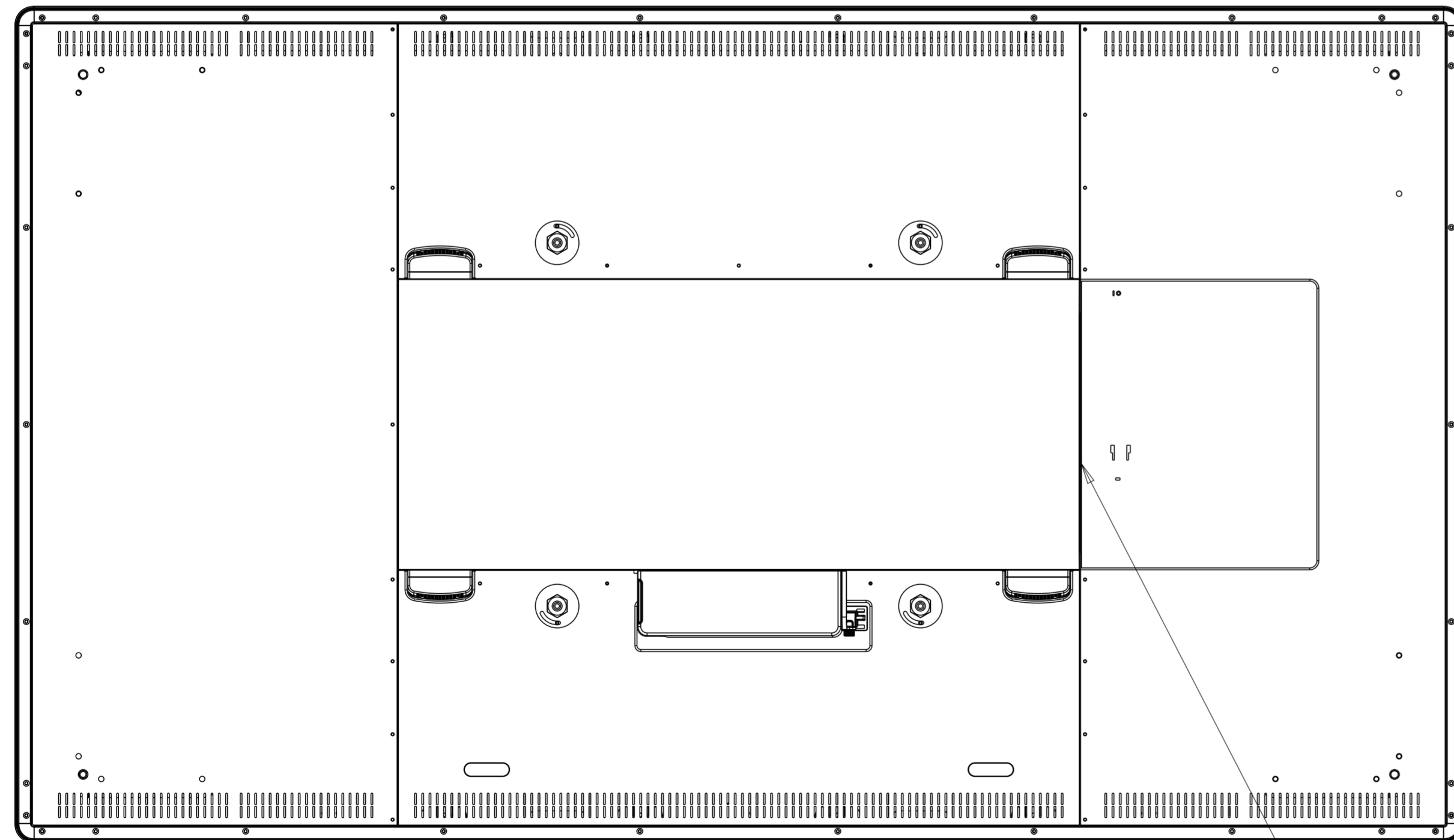
DIMENSIONS ARE IN MILLIMETERS

PORTRAIT ORIENTATION

COMPUTER MODULE BAY MUST BE ON TOP
WHEN MOUNTED IN PORTRAIT ORIENTATION



LANDSCAPE ORIENTATION

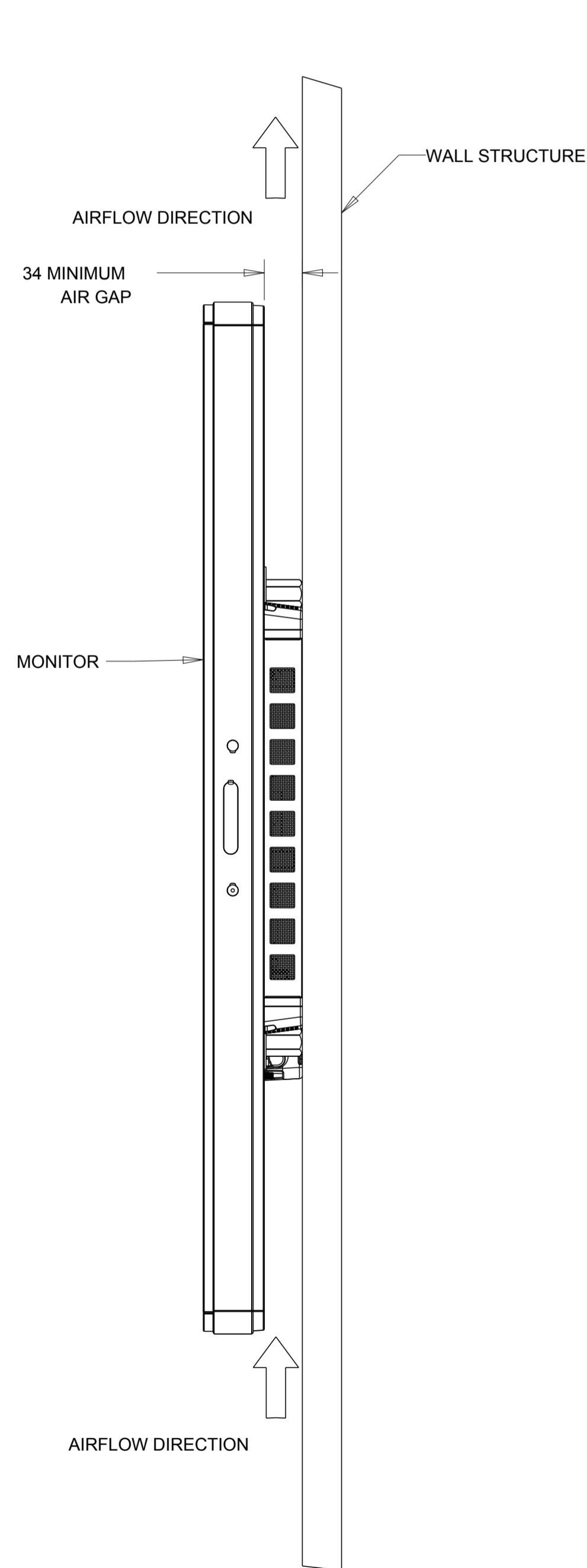


COMPUTER MODULE BAY

THERMAL RECOMMENDATIONS (PORTRAIT AND LANDSCAPE ORIENTATION)

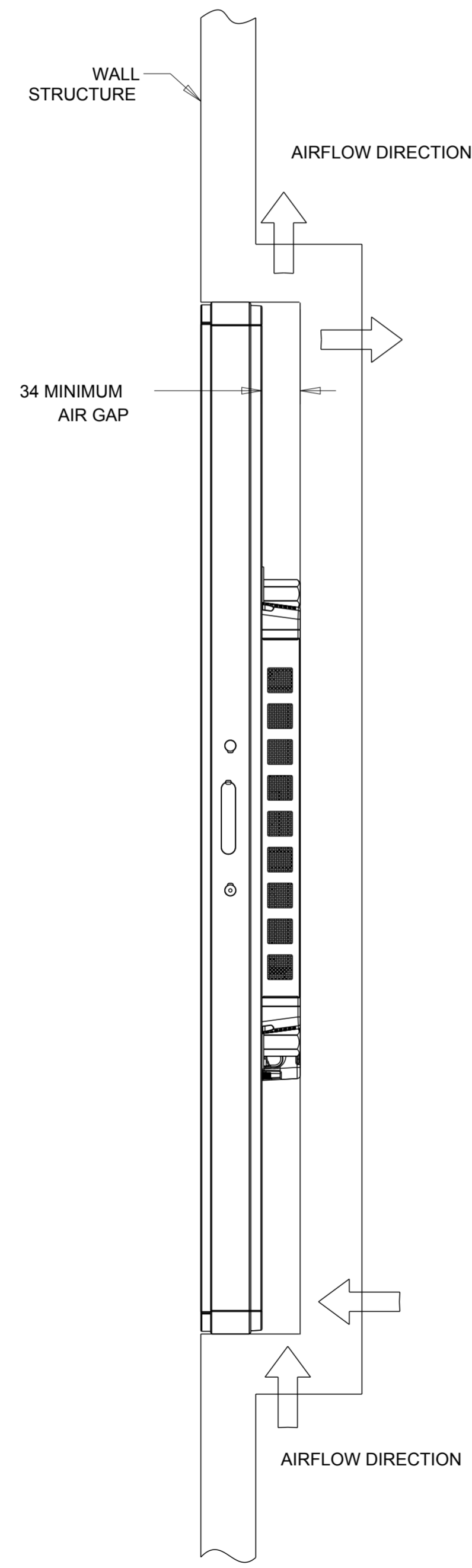
WALL-MOUNTING

MAINTAIN AMBIENT ROOM TEMPERATURE BELOW 40° C.

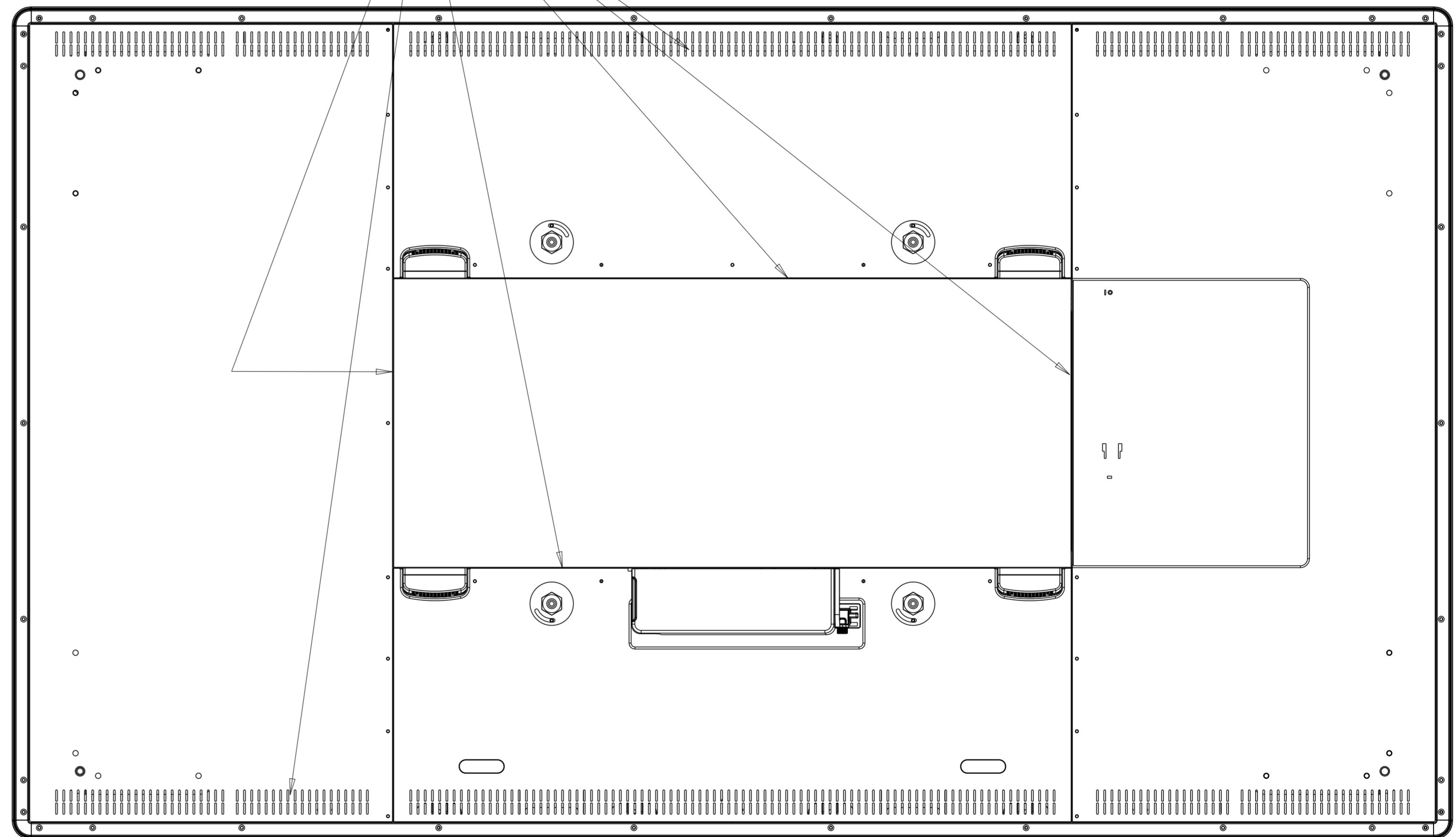


FLUSH-MOUNTING

AIRSPACE BEHIND MONITOR MUST NEVER EXCEED 40° C DURING OPERATION. INSTALL VENTING AND/OR FANS IN WALL STRUCTURE TO CIRCULATE AIR AND MAINTAIN SAFE OPERATING TEMPERATURE.

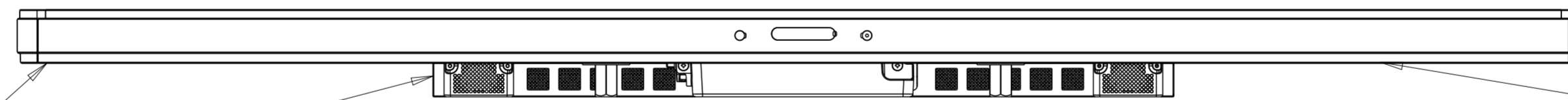
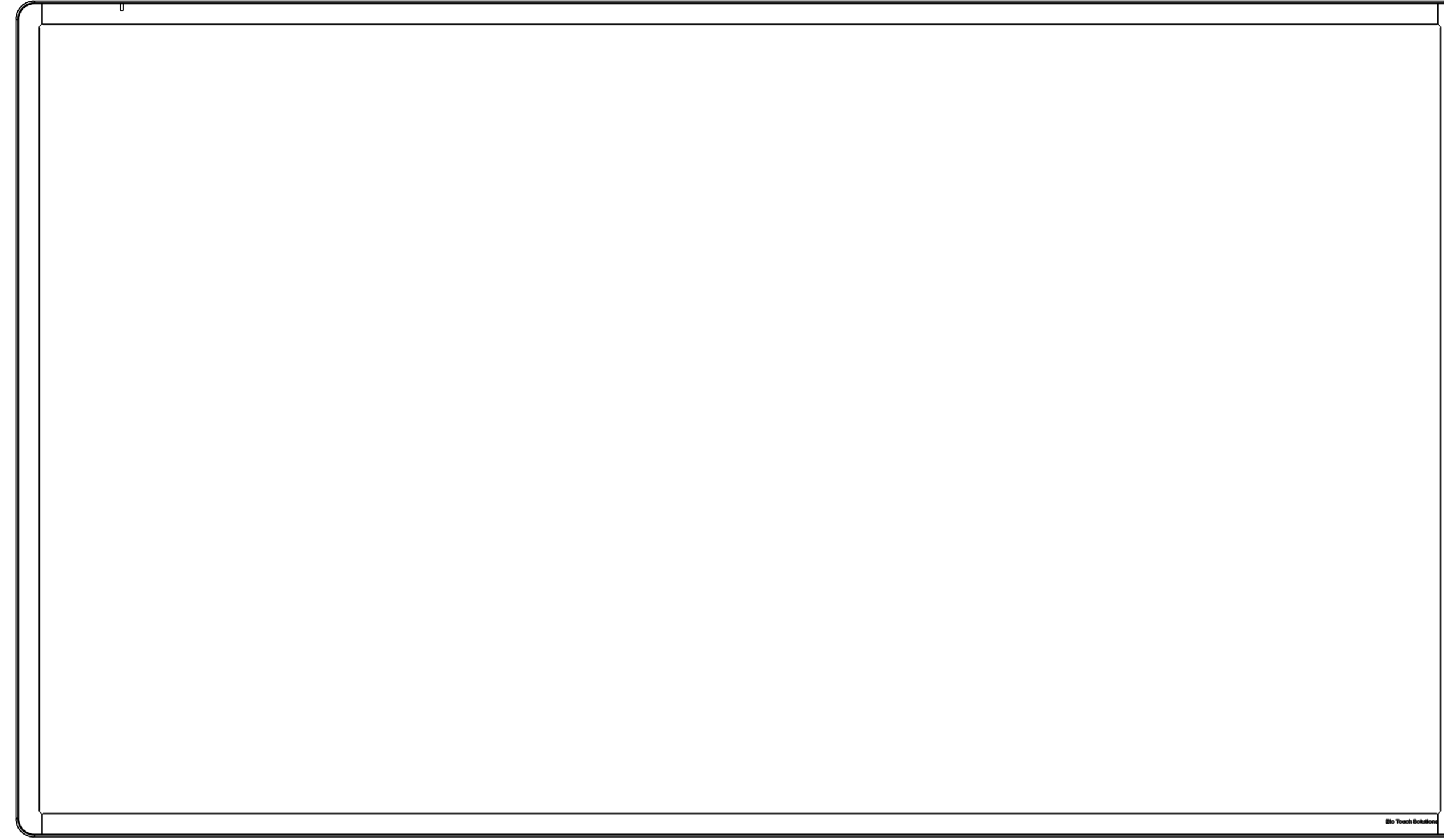


PRODUCT VENTING LOCATIONS
DO NOT BLOCK DURING OPERATION



DIMENSIONS ARE IN MILLIMETERS

THERMAL RECOMMENDATIONS (TABLE-TOP ORIENTATION)



PRODUCT VENTING ALL AROUND MONITOR
MUST BE KEPT OPEN TO MAINTAIN
SAFE OPERATING TEMPERATURE.

TABLE-TOP MOUNTING FRAME NOT SHOWN

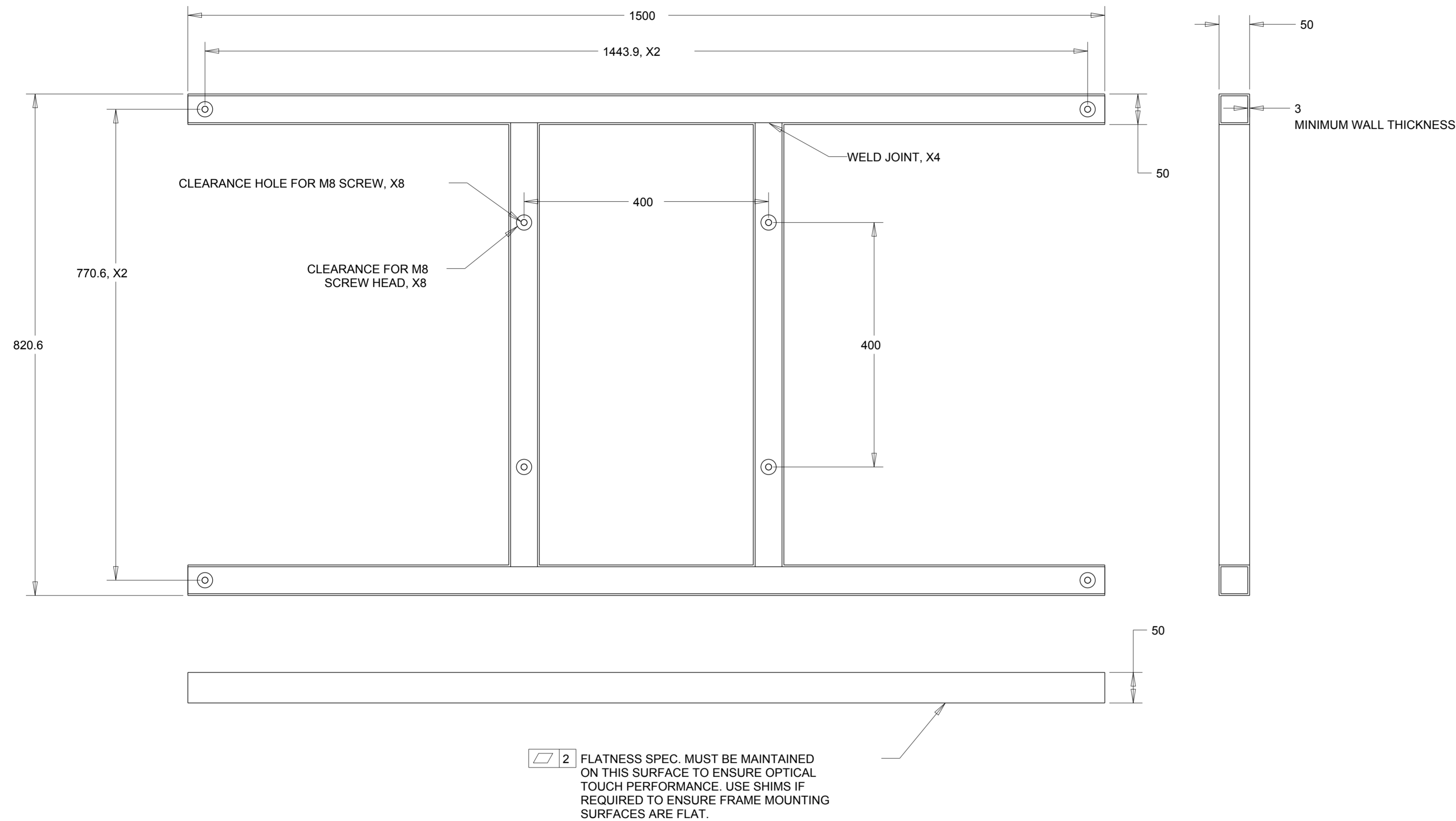
WHEN MOUNTED IN TABLE-TOP ORIENTATION,
DO NOT ALLOW AIR TEMPERATURE UNDERNEATH MONITOR TO EXCEED
OPERATING TEMPERATURE SPECIFICATIONS.

RECOMMENDATION:
INSTALL AIR CIRCULATION DEVICES ABLE TO MONITOR AND
CONTROL THIS AIRSPACE TEMPERATURE SO IT WILL COMPLY
WITH OPERATING TEMPERATURE SPECIFICATIONS .

TABLE-TOP MOUNTING FRAME (REFERENCE DESIGN)
 REQUIRED FOR ALL MOUNTING ORIENTATIONS
 EXCEPT PORTRAIT AND LANDSCAPE

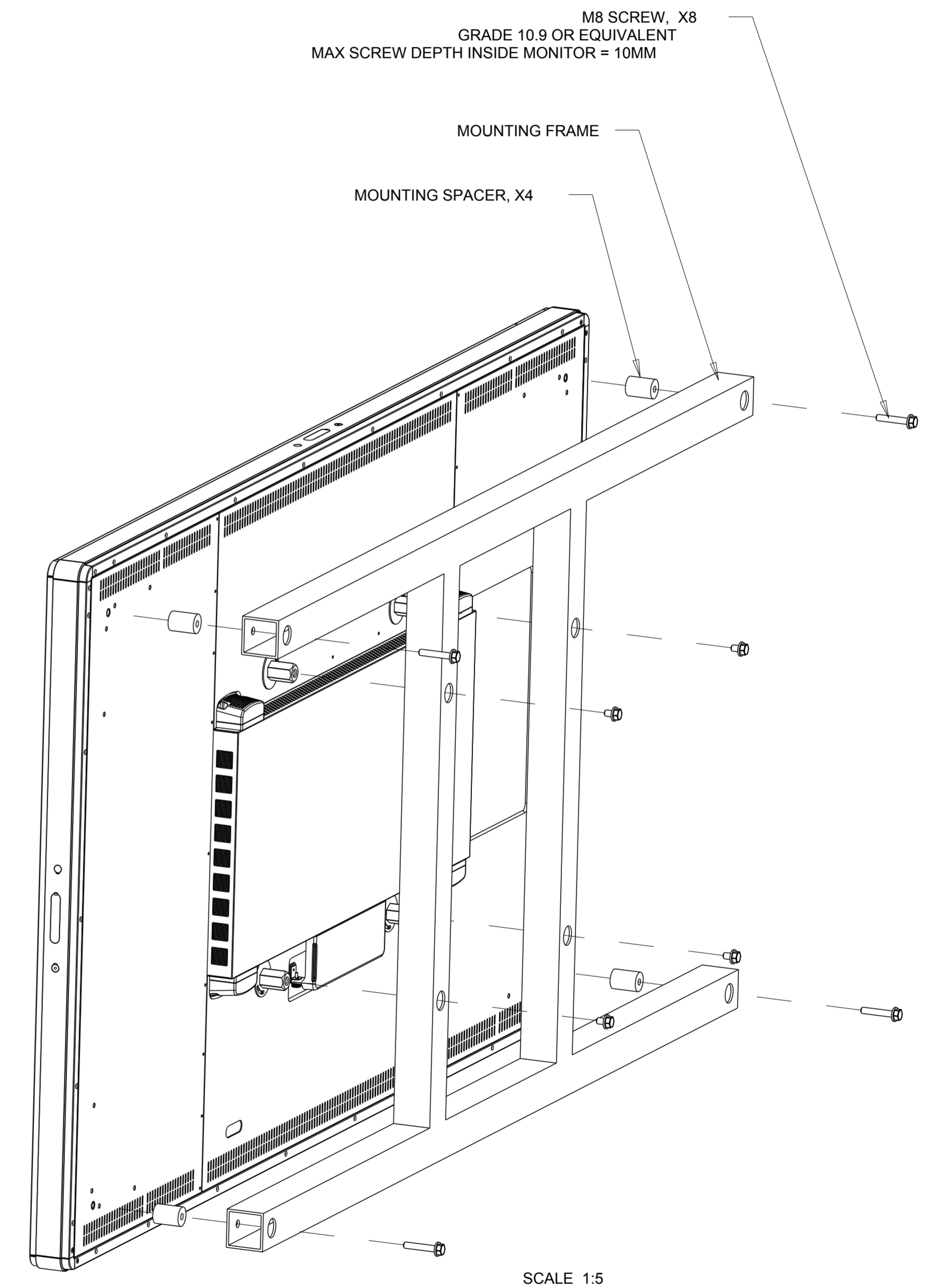
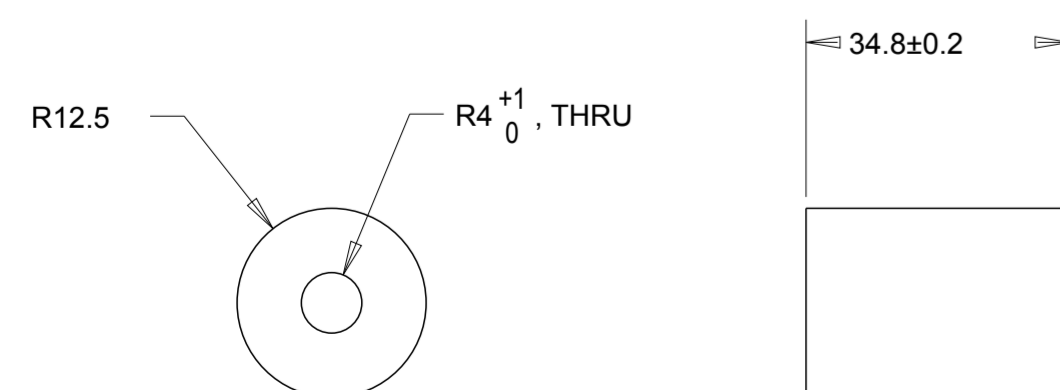
MOUNTING FRAME

MATERIAL = 50MMx50MM COLD-ROLLED STEEL TUBING

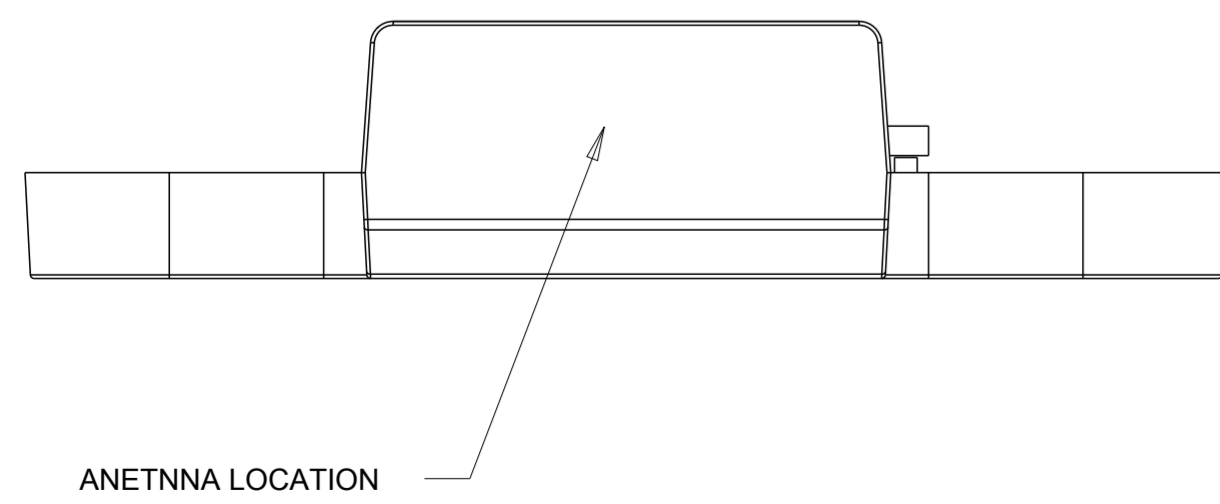
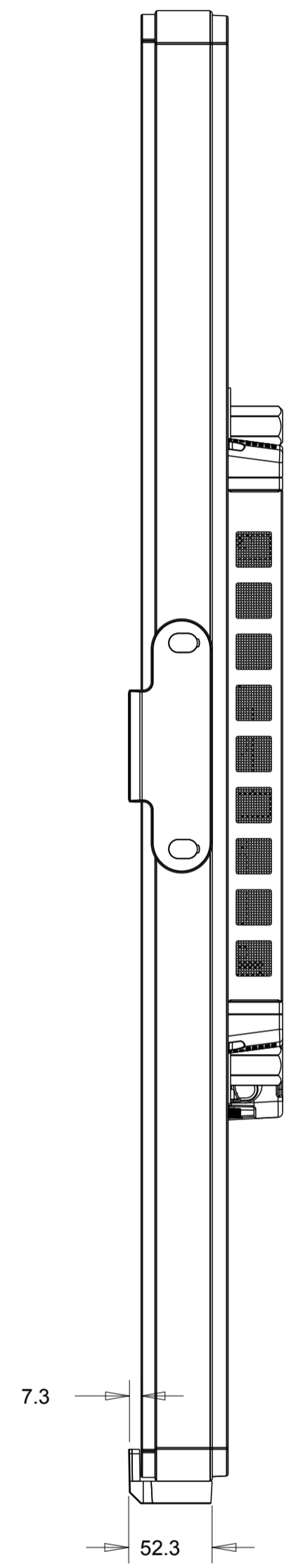
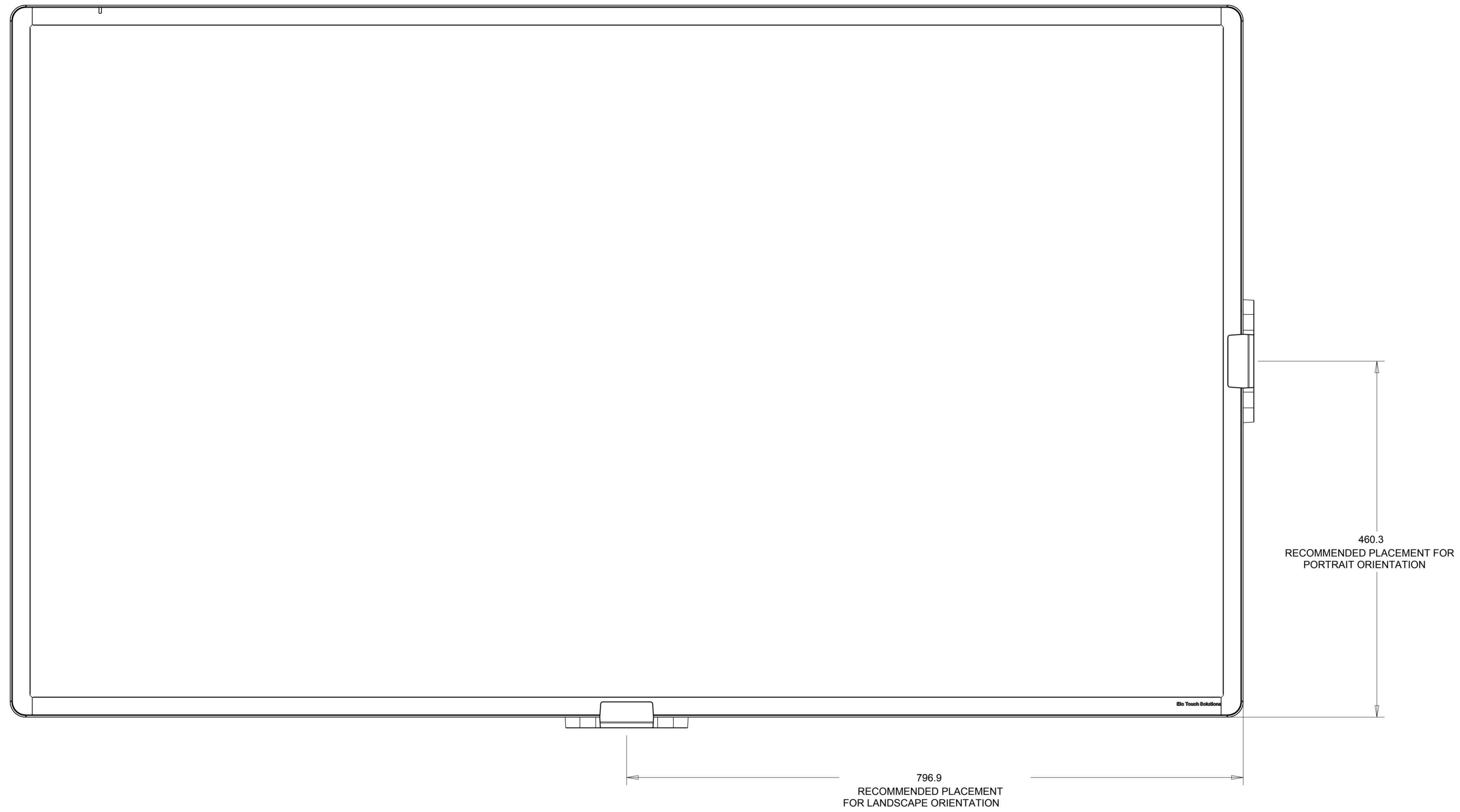


MOUNTING SPACER

MATERIAL = STEEL



OPTIONAL RFID KIT P/N E031451



DIMENSIONS ARE IN MILLIMETERS