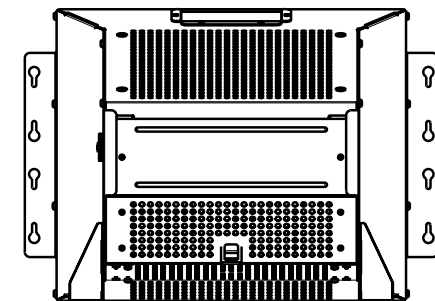
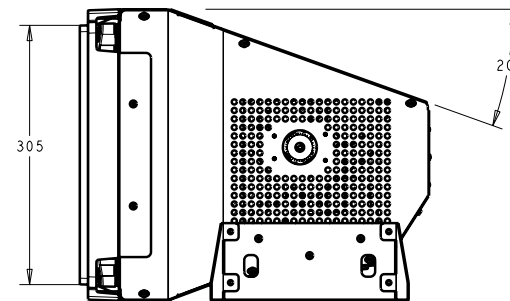
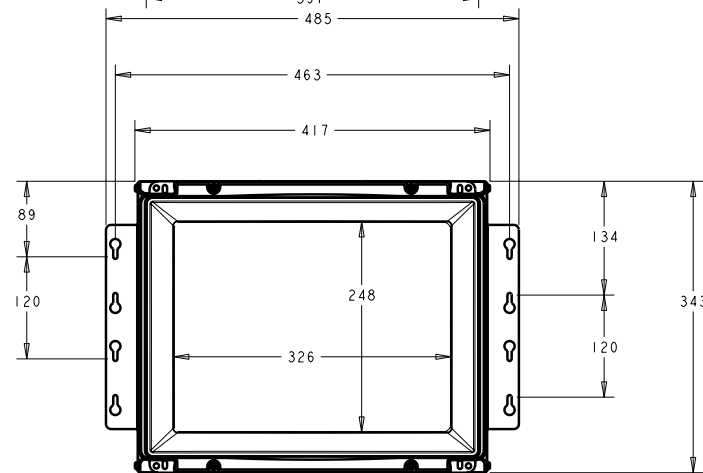
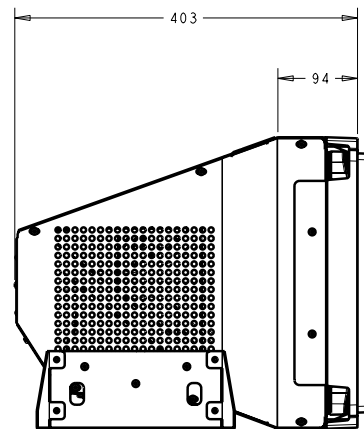
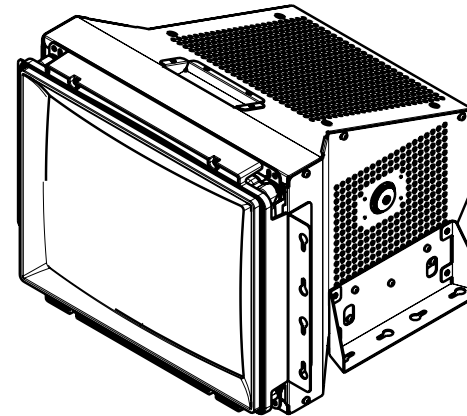
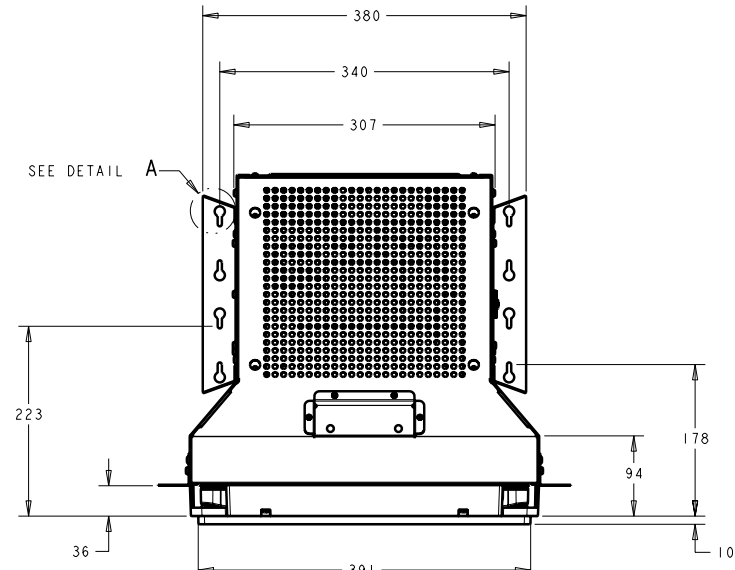
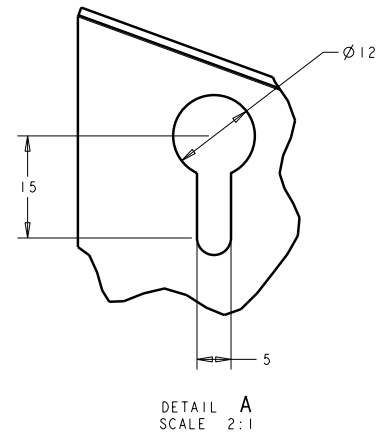
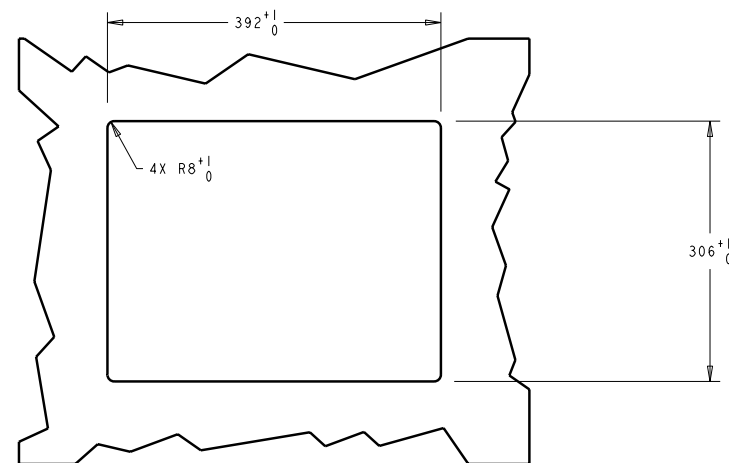


MKTG DWG, ETI745C-4XWE-1-G, RoHS



CABLE ENTRANCE/EXIT



CUTOUT VIEW

PIP NUMBER	PIP DESCRIPTION
E262094	ETI745C-4CWE-1-G

DIMENSIONS ARE IN MILLIMETERS/INCHES

SHEET 1 OF 1

