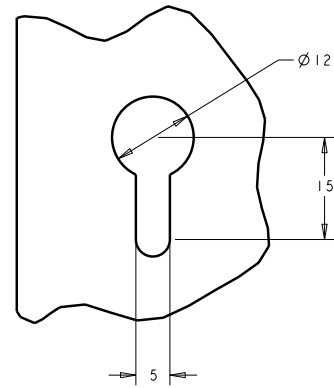
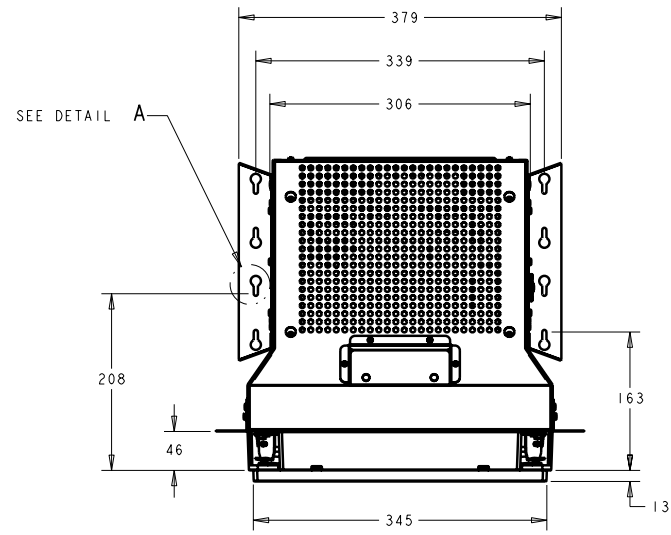


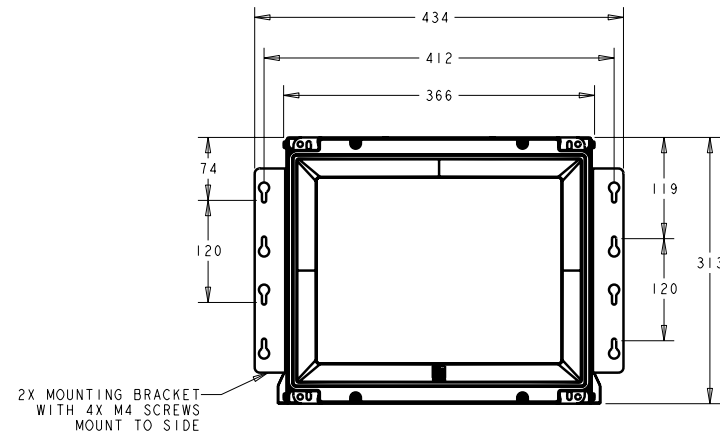
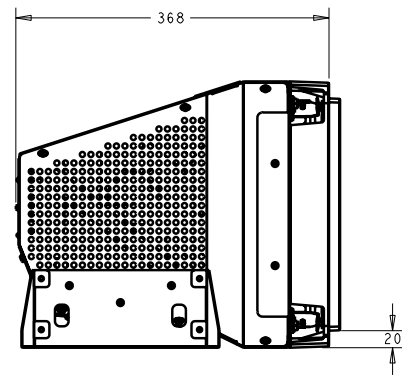
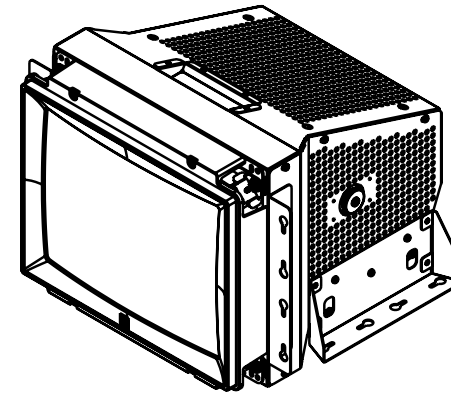
MKTG DWG, ET1545C-4XWE-1-G, RoHS



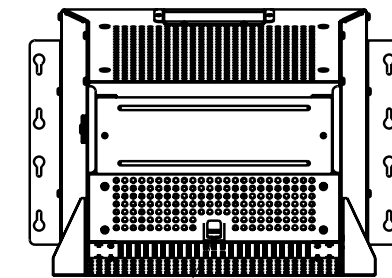
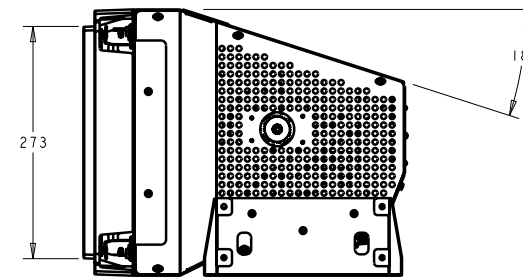
DETAIL A
SCALE 2:1



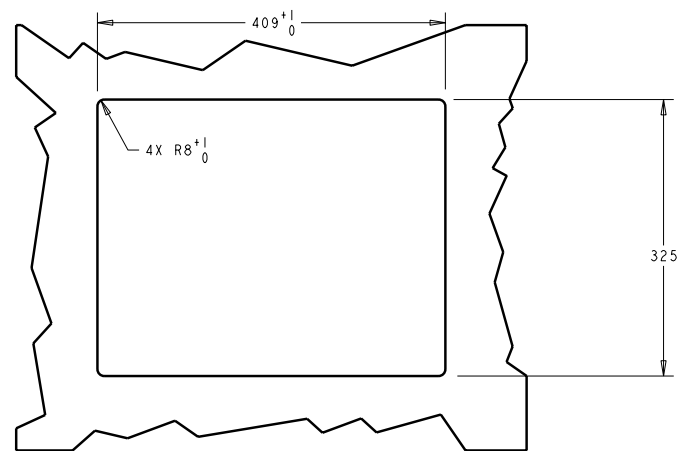
SEE DETAIL A



2X MOUNTING BRACKET
WITH 4X M4 SCREWS
MOUNT TO SIDE



CABLE ENTRY/EXIT



CUTOUT VIEW

PIP NUMBER	PIP DESCRIPTION
E770429	ET1545C-4CWE-1-G

DIMENSIONS ARE IN MILLIMETERS

SHEET 1 OF 1

