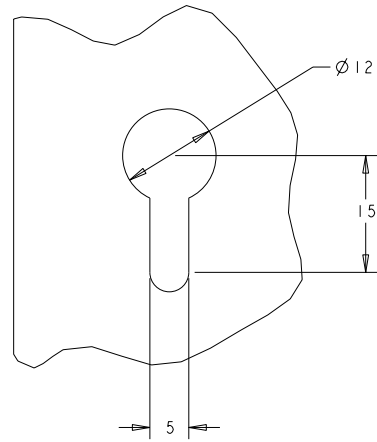
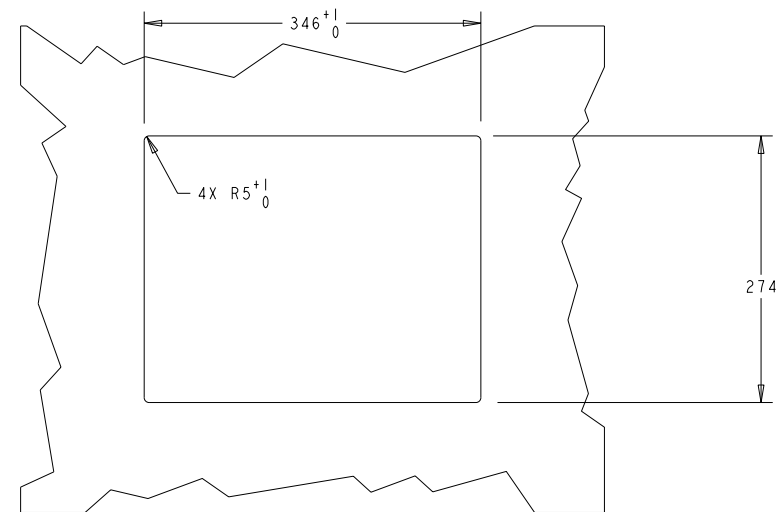
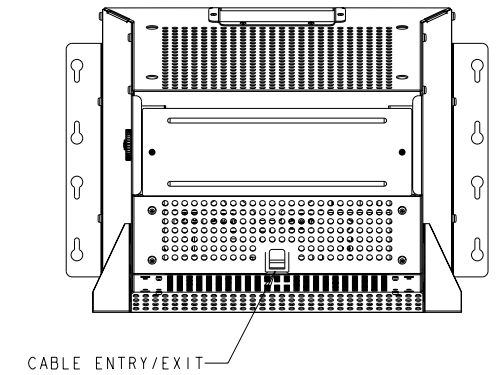
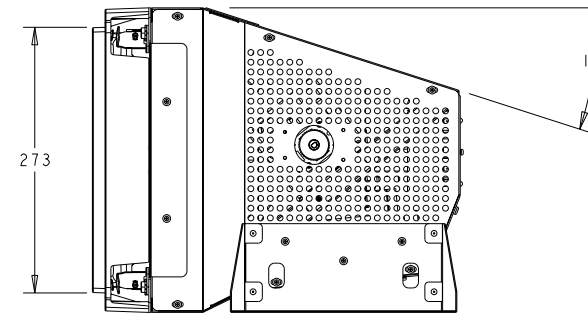
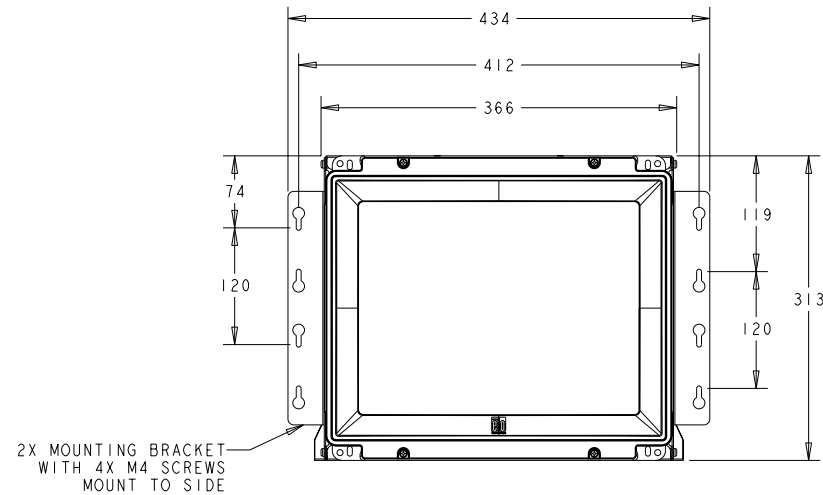
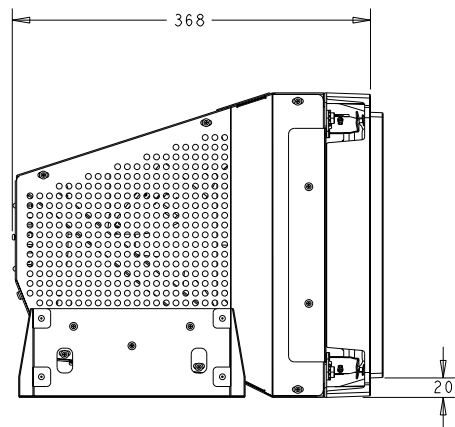
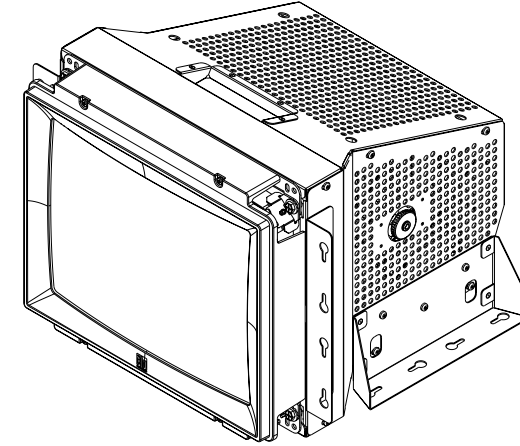
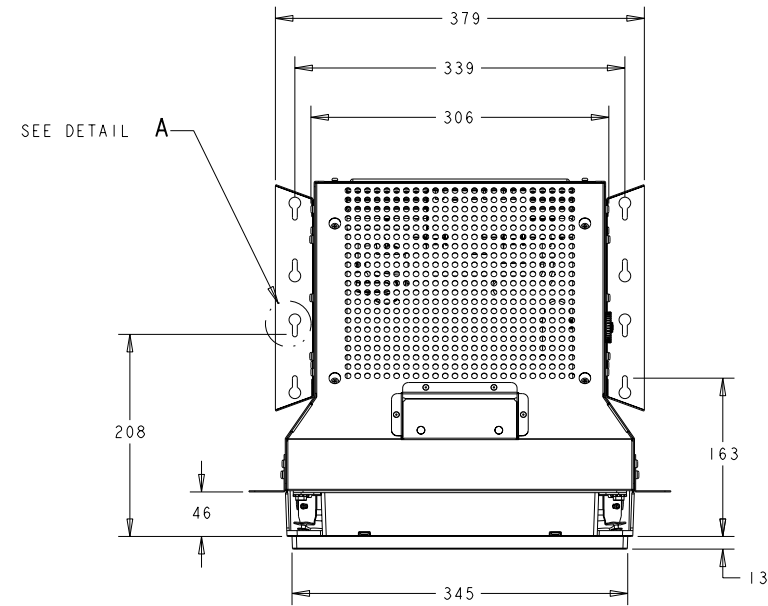


MKTG DWG,ET1545C-4XWE-1



DETAIL A
SCALE 2:1



CUTOUT VIEW

PIP NUMBER	PIP DESCRIPTION
F45900-000	ET1545C-4UWE-1
C11285-000	ET1545C-4SWE-1

DIMENSIONS ARE IN MILLIMETERS