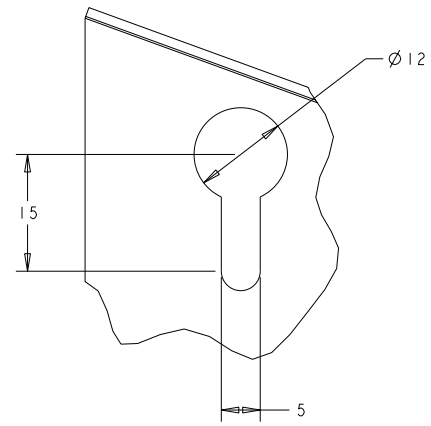
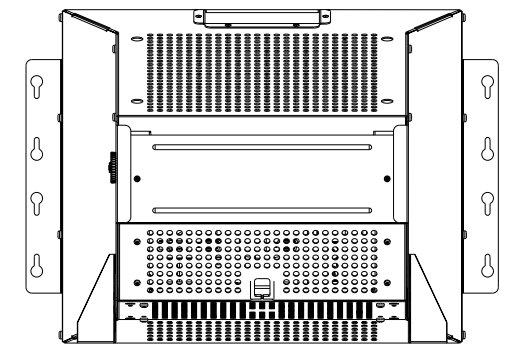
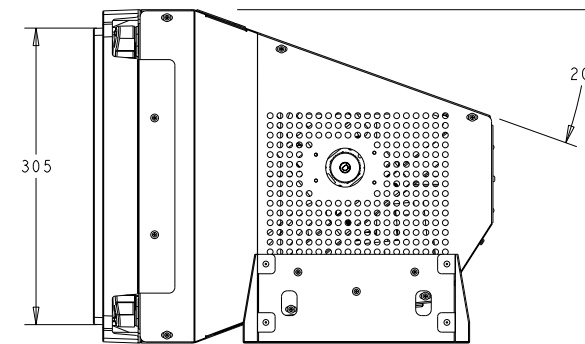
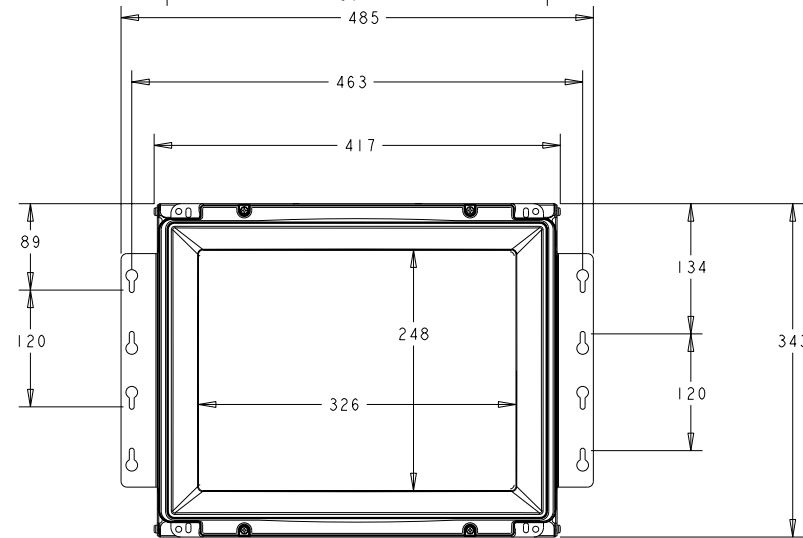
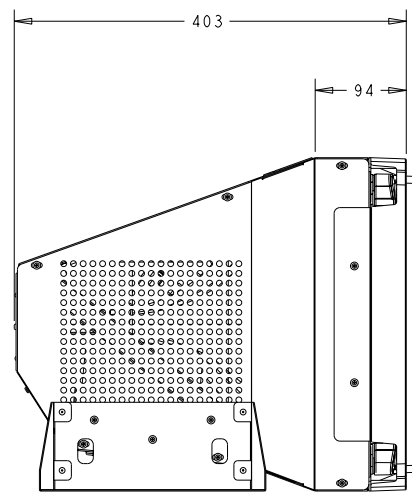
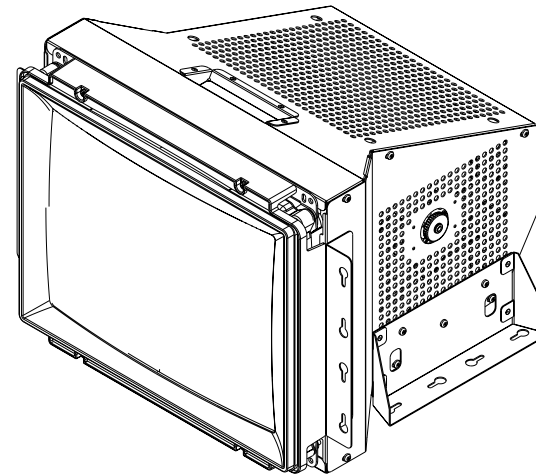
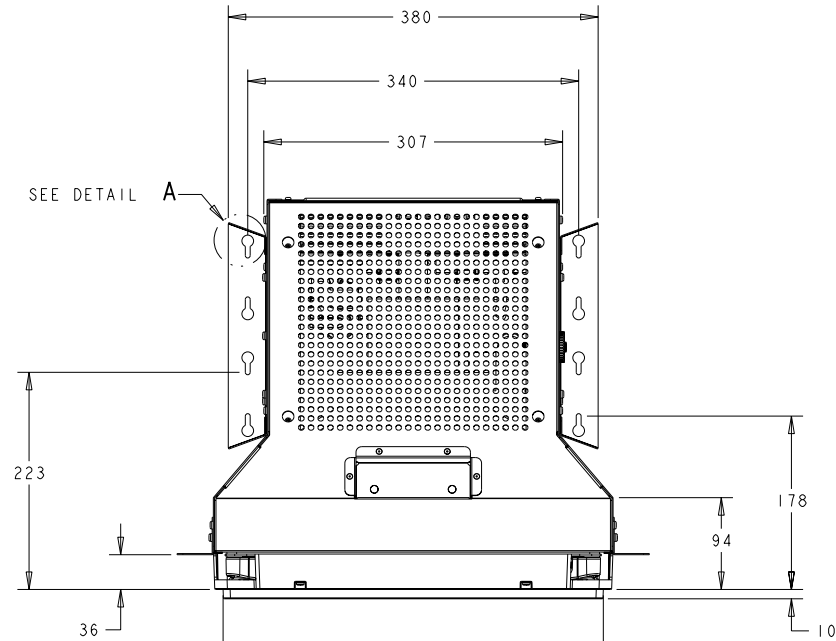


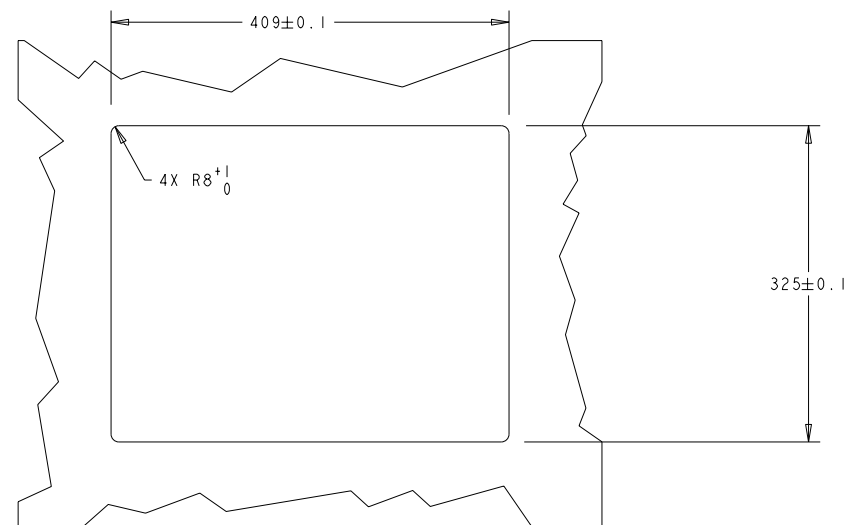
MKTG DWG,ET1745C-4XWE-1



DETAIL A
SCALE 2:1



CABLE ENTRANCE/EXIT



CUTOUT VIEW

PIP NUMBER	PIP DESCRIPTION
C21634-000	ET1745C-4UWE-1
E64636-000	ET1745C-4SWE-1

DIMENSIONS ARE IN MILLIMETERS

SHEET 1 OF 1

