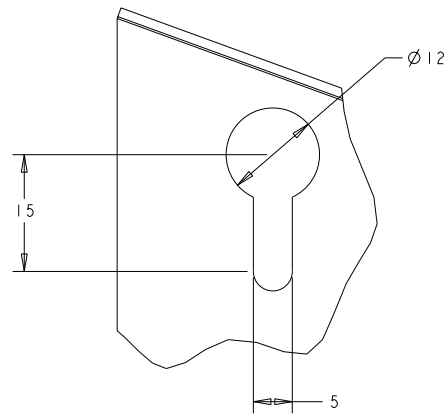
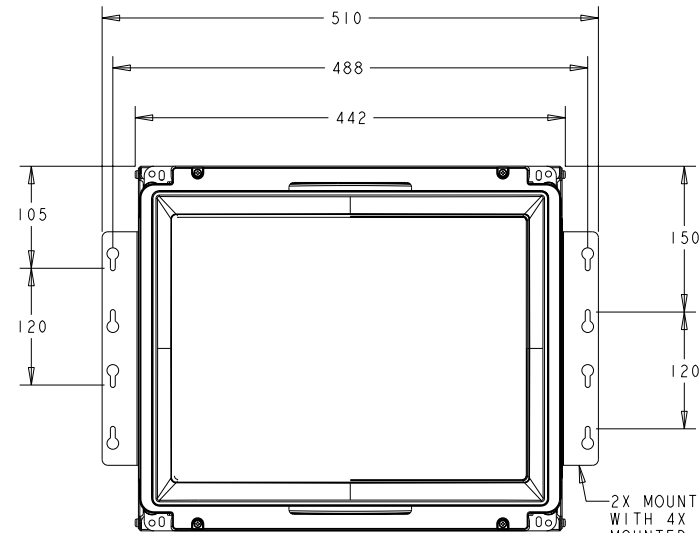
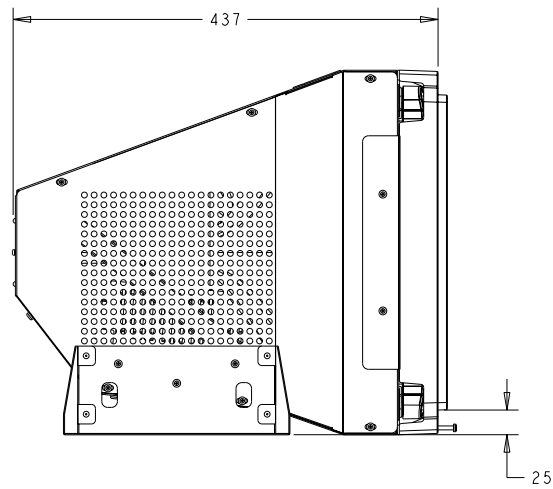
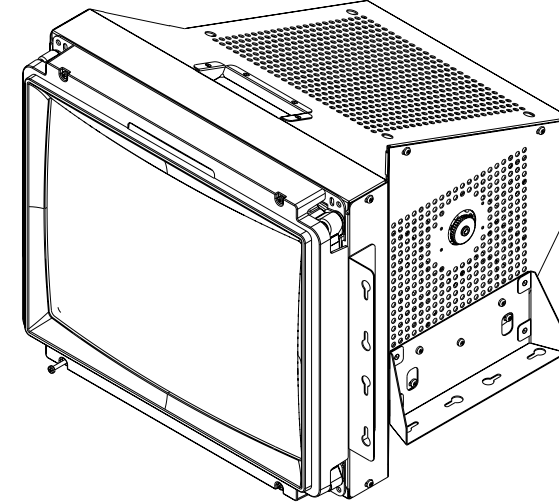
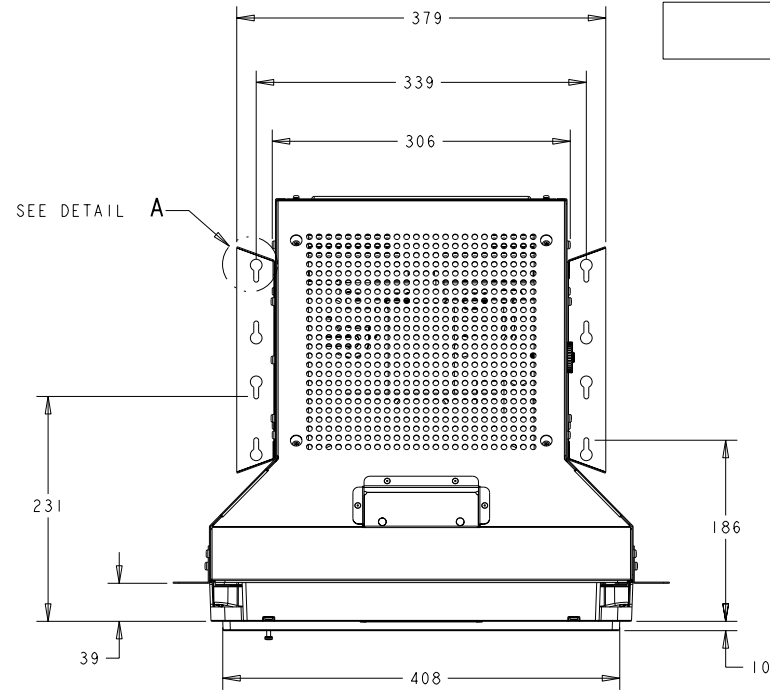


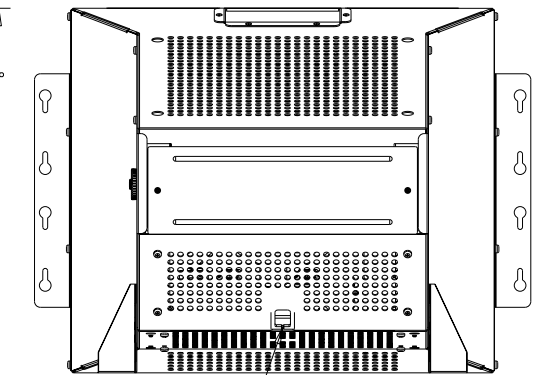
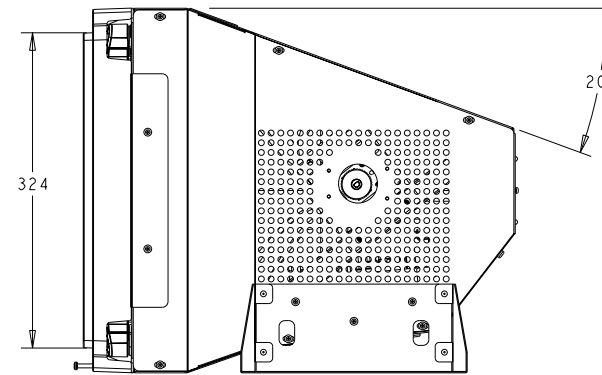
MKTG DWG,ET1945C-4XWE-1



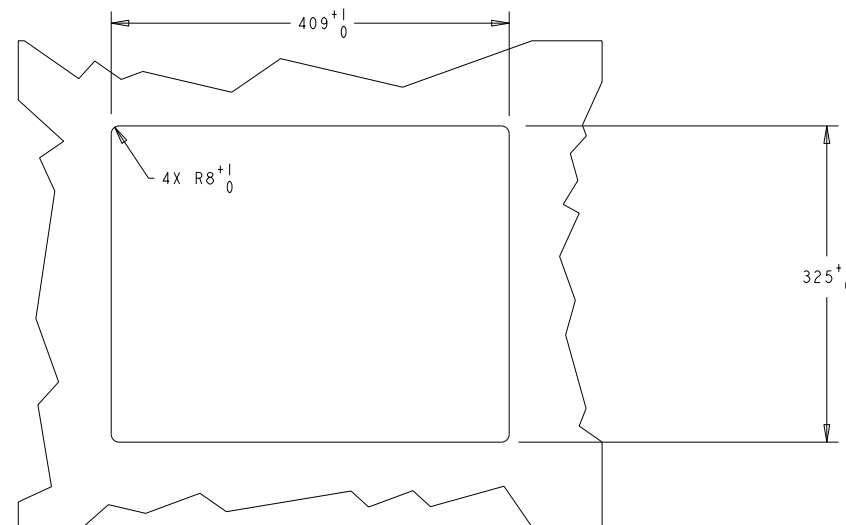
DETAIL A
SCALE 2:1



2X MOUNTING BRACKET
WITH 4X M4 SCREWS
MOUNTED TO SIDE OR
BOTTOM OF KIOSK MONITOR



CABLE ENTRANCE/EXIT



CUTOUT VIEW

PIP NUMBER	PIP DESCRIPTION
E46297-000	ET1945C-4SWE-1
A60266-000	ET1945C-4UWE-1

DIMENSIONS ARE IN MILLIMETERS

SHEET 1 OF 1

