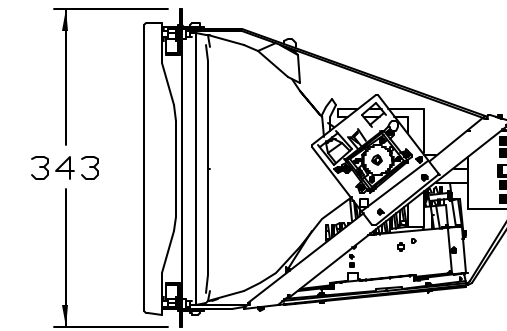
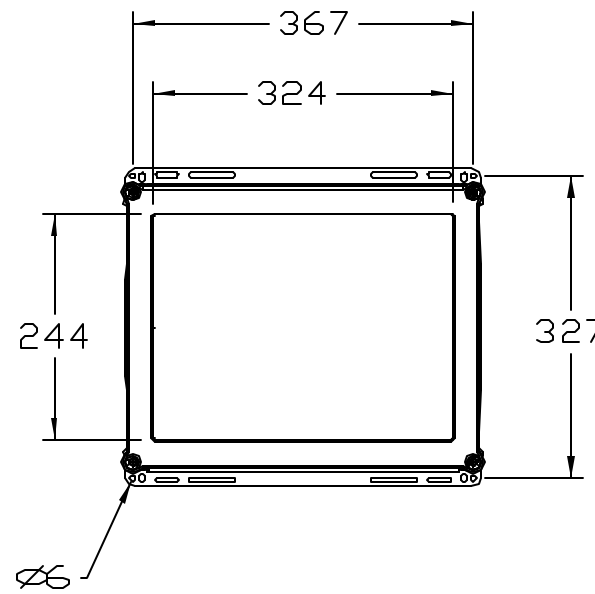
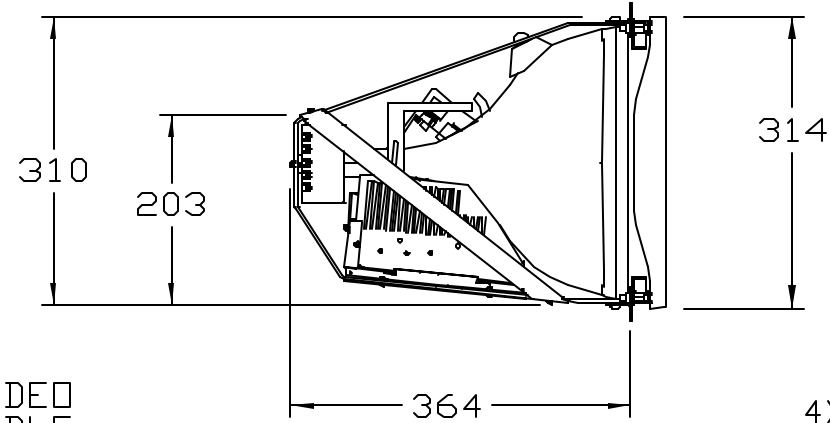
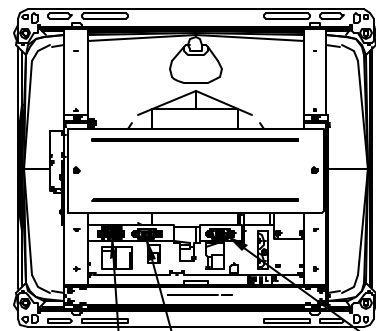
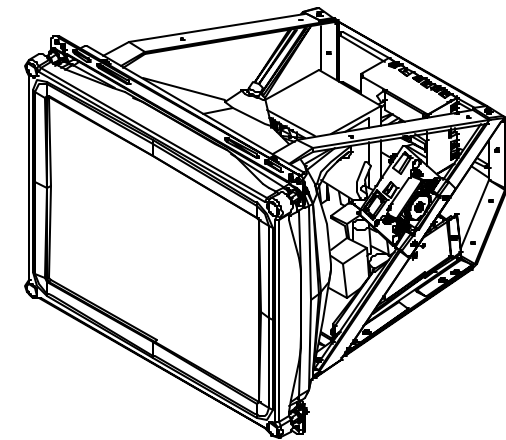
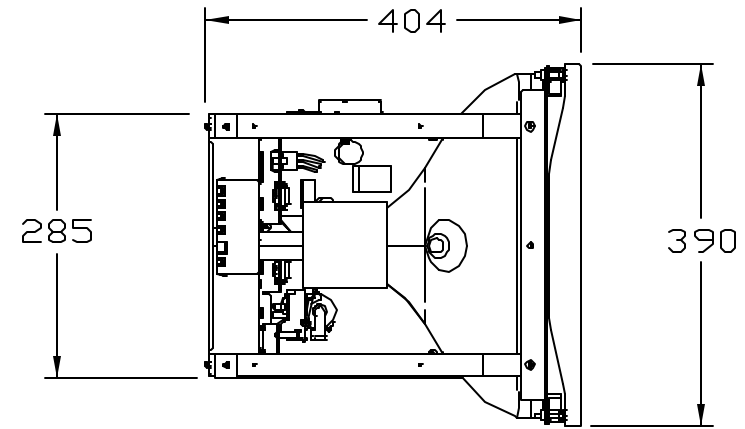


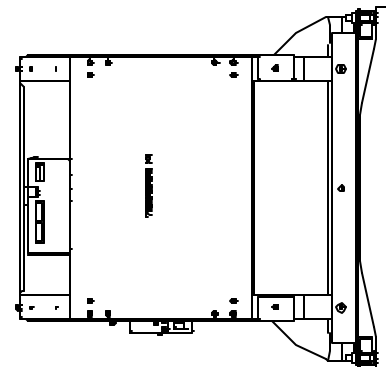
17" iTOUCH OPEN FRAME  
FLAT MONITOR



TOUCH  
INTERFACE  
SERIAL

VIDEO  
CABLE  
CONNECTOR

POWER MATE & LOCK  
CONNECTOR  
\* AMP 350766



PIP PART NUMBER	PIP DESCRIPTION
E37295-000	ET1788C-0NWA-1
D07427-000	ET1788C-4SWA-1

NOTE:

- \* USE AMP 350767 MATING MATE & LOCK CONNECTOR,
- 3D CAD FILES AVAILABLE.

DIMENSIONS ARE IN MILLIMETERS

SHT. 1 OF 1

