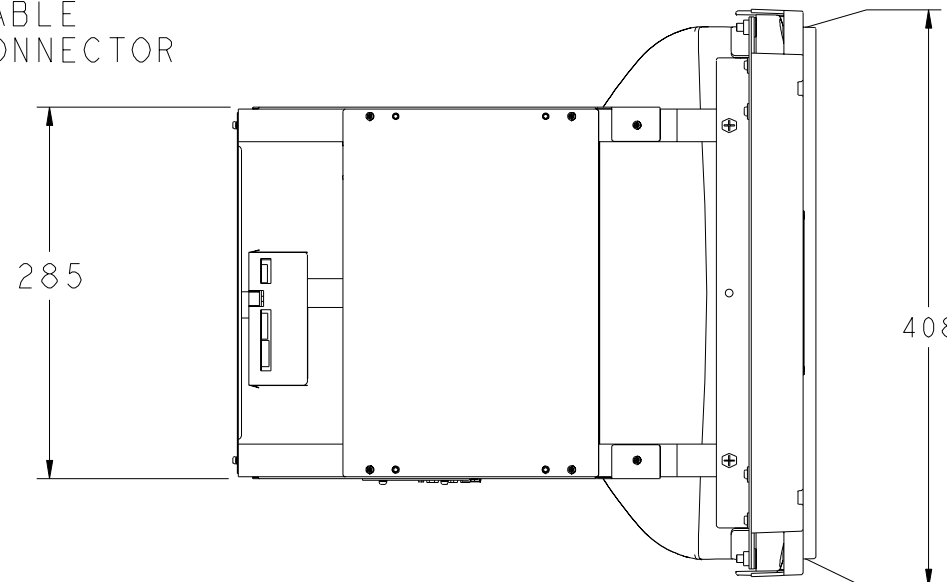
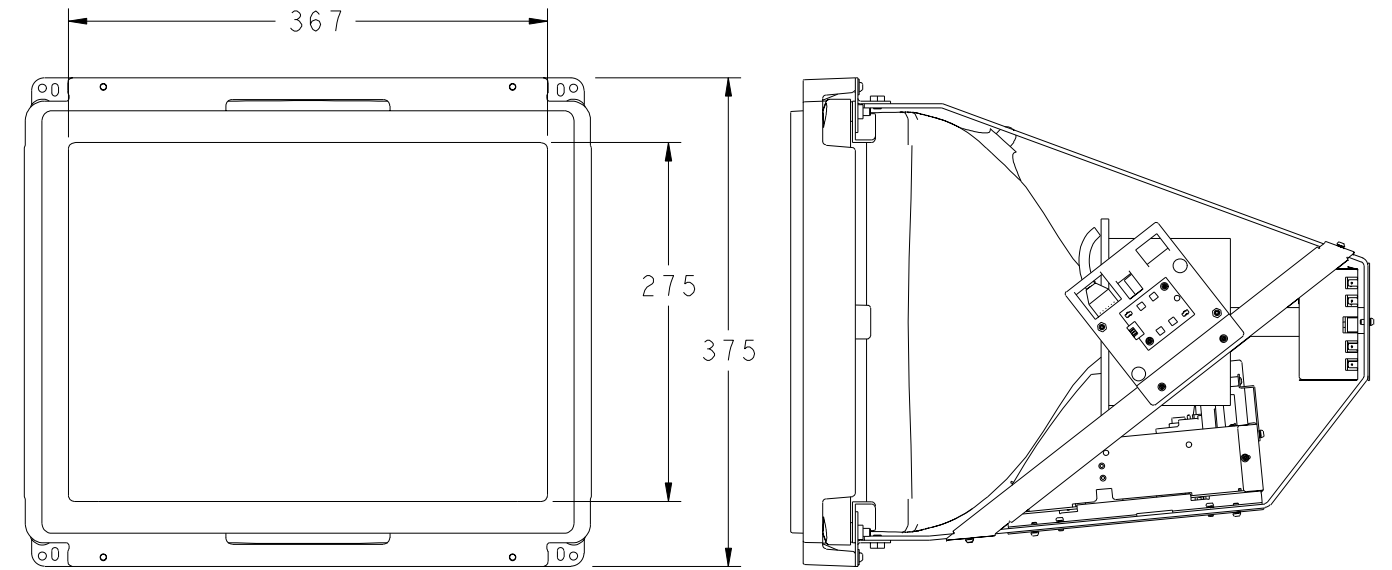
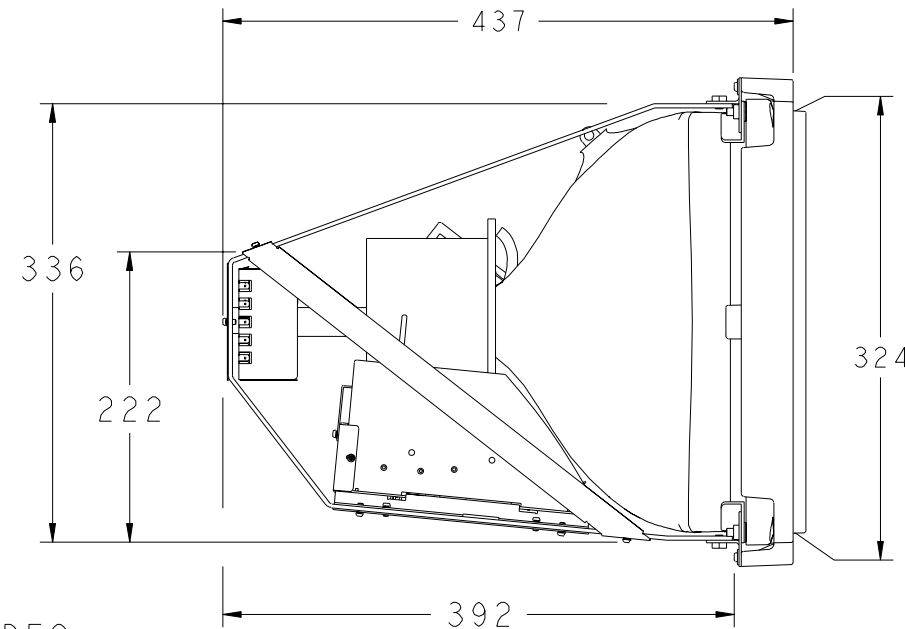
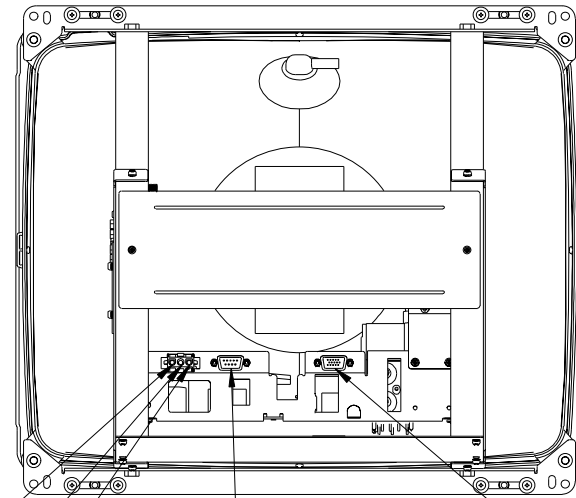
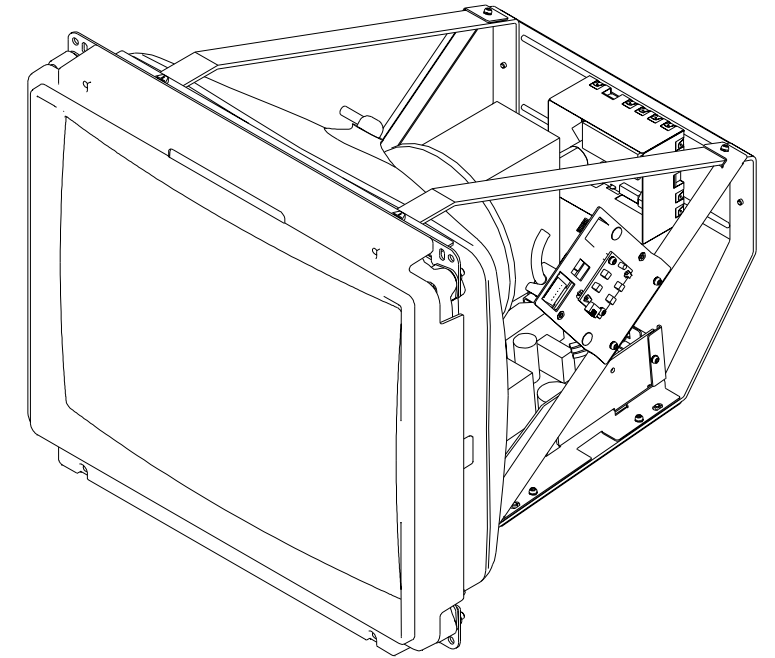
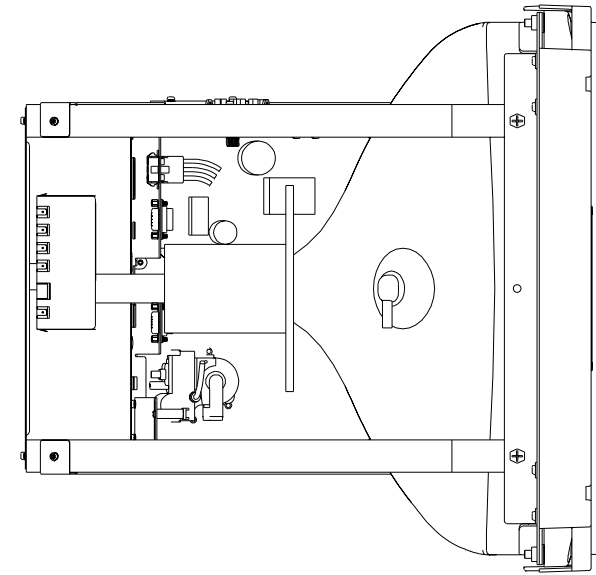


19" SQUARE BEZEL
FOR ET1 GAMING



VIDEO
CABLE
CONNECTOR

TOUCH
INTERFACE
SERIAL

POWER MATE & LOCK
CONNECTOR
* AMP 350766

| ----- | PIP PART NUMBER | PIP DESCRIPTION |
|--------------|-----------------|-----------------|
| MONITOR | E03176-000 | ET1987C-4SWA-1 |
| MONITOR | E10509-000 | ET1987C-4UWA-1 |
| SQUARE BEZEL | F45987-000 | ELO-19-SQBEZEL |

NOTES:

1. PN F45987-000 (SQUARE BEZEL)
USE WITH ELO MONITOR,
SHIPPED SEPARATELY (SEE TABLE).
2. * USE AMP 350767 MATING
MATE & LOCK CONNECTOR
3. 3D CAD FILES AVAILABLE.

DIMENSIONS ARE IN MILLIMETERS

SHT. 1 OF 1

