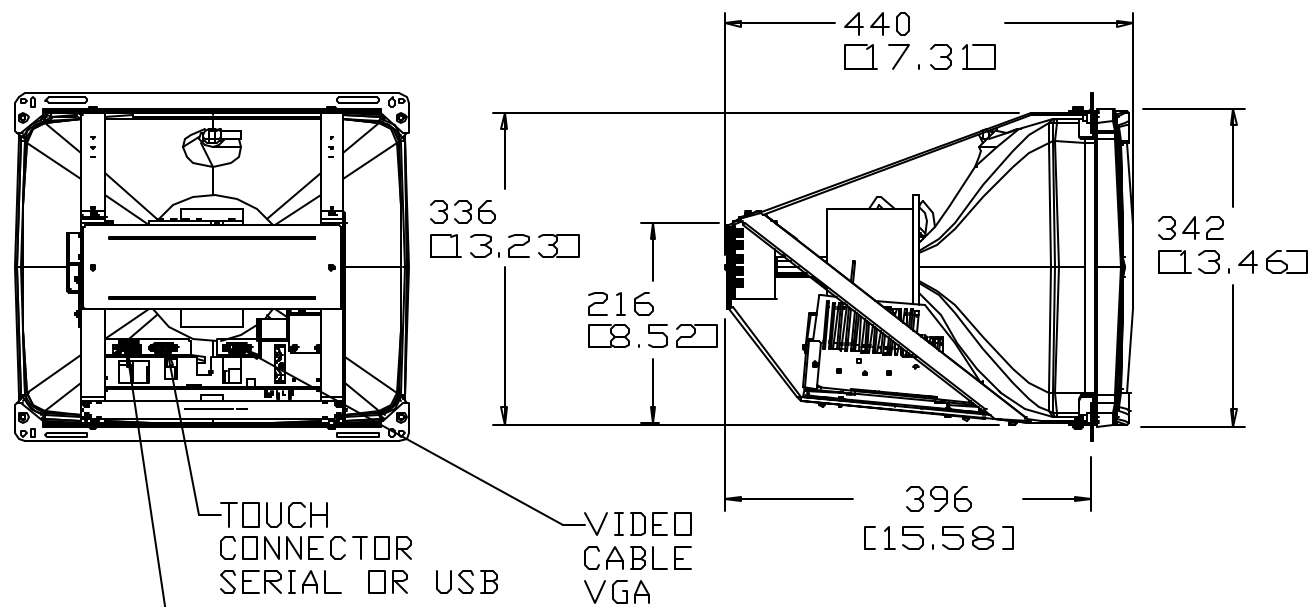
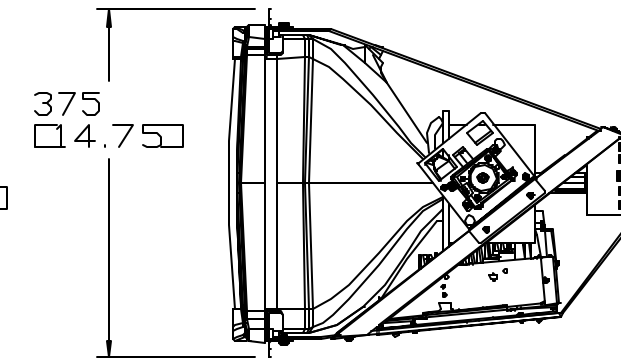
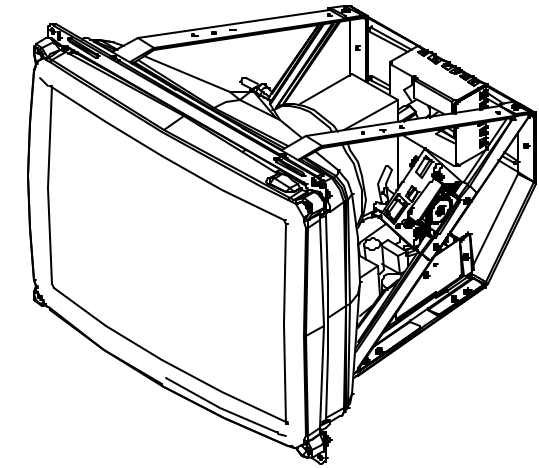
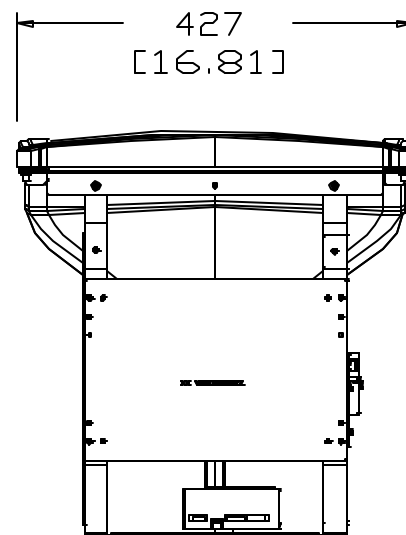
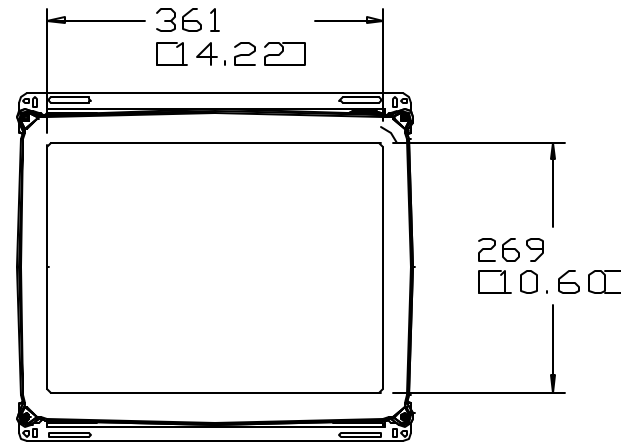
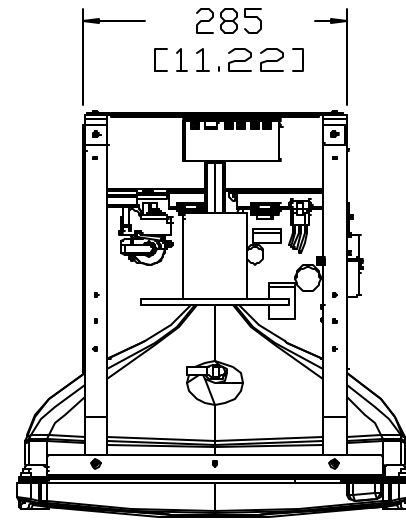


19" iTOUCH OPEN FRAME MONITOR



TOUCH CONNECTOR  
SERIAL OR USB

VIDEO CABLE  
VGA

POWERMATE & LOCK  
CONNECTOR  
\* AMP 350766

NOTES:

- 1.\* USE AMP 350676 MATING MATE & LOCK CONNECTOR
- 2.BRACKET KIT PN A44380-000 MUST BE ORDERED SEPARATELY (SEE SHT.2).

DIMENSIONS ARE IN MILLIMETERS/INCHES

PART NUMBER TABULATION	
PIP NUMBER	PIP DESCRIPTION
E03176-000	ET1987C-4SWA-1
E10509-000	ET1987C-4UWA-1

NOTE:

3D CAD FILES AVAILABLE.



19" iTOUCH OPEN FRAME MONITOR  
WITH OPTIONAL BOTTOM BRACKETS

308<sup>+30</sup><sub>0</sub>  
12.14<sup>+1.18</sup><sub>-.00</sub>

3X Ø5.5  
[.22]

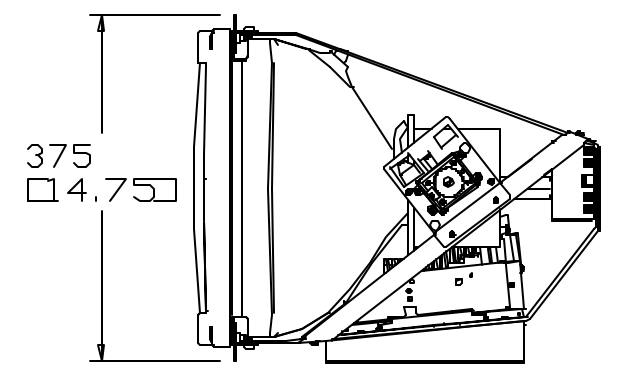
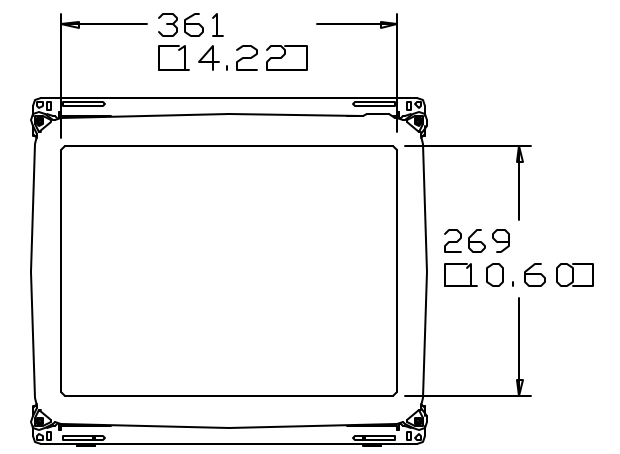
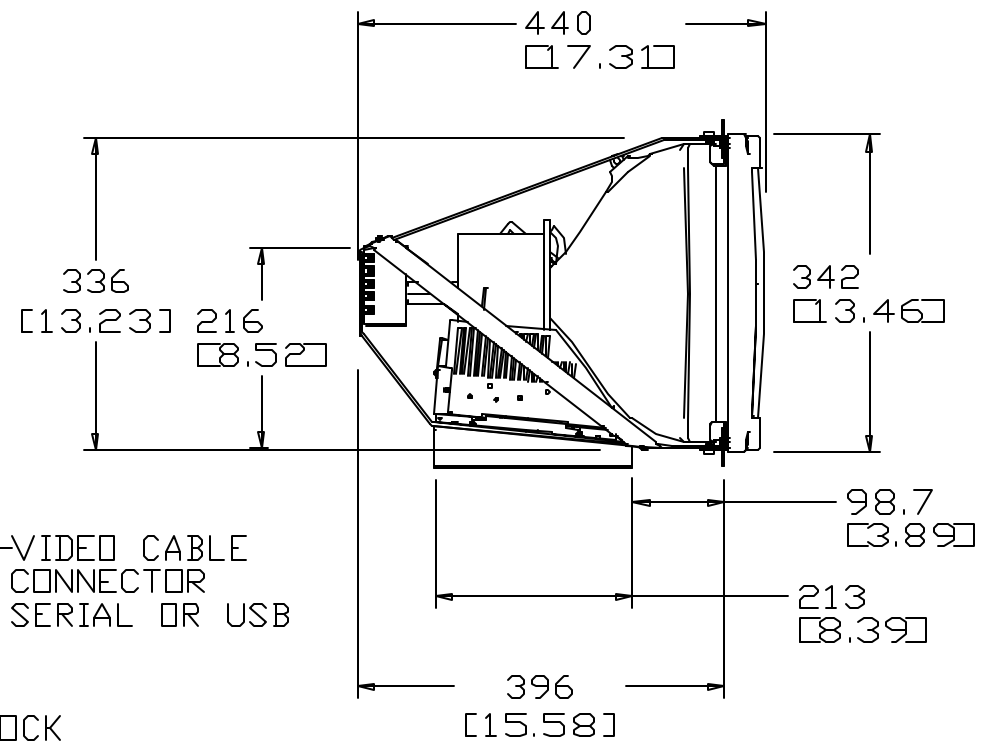
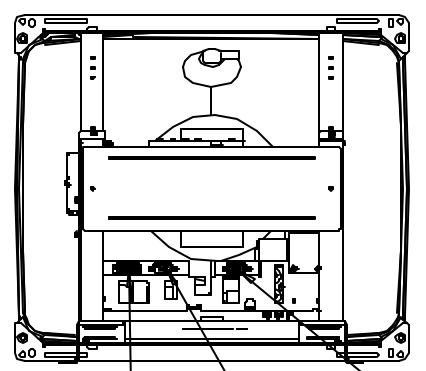
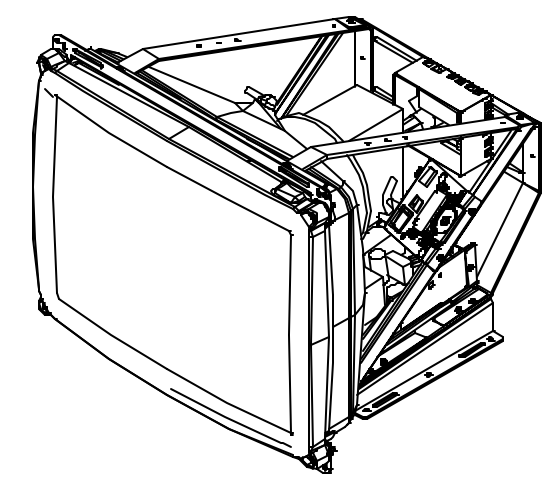
285  
[11.22]

94.5  
[3.72]

133  
[5.24]

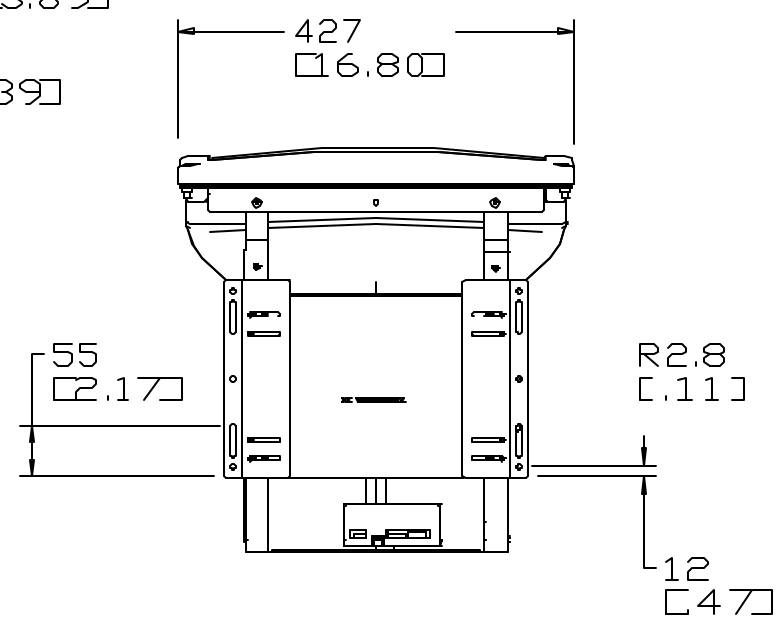
189  
[7.44]

30  
[1.18]



OPTIONAL  
BRACKETS

- TOUCH CABLE
- VIDEO CABLE CONNECTOR
- VGA
- SERIAL OR USB
- POWER MATE & LOCK CONNECTOR
- \* AMP 350766



OPTIONAL  
BRACKETS

PART NUMBER TABULATION		
PIP NUMBER	PIP DESCRIPTION	BRACKET KIT
E03176-000	ET1987C-4SWA-1	A44380-000
E10509-000	ET1987C-4UWA-1	A44380-000

DIMENSIONS ARE IN MILLIMETERS/INCHES

