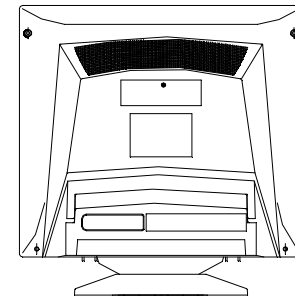
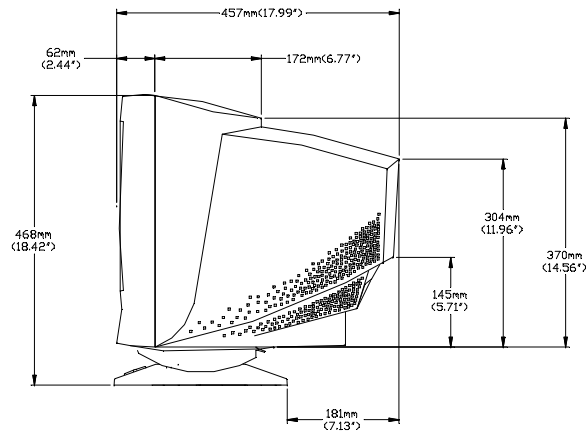
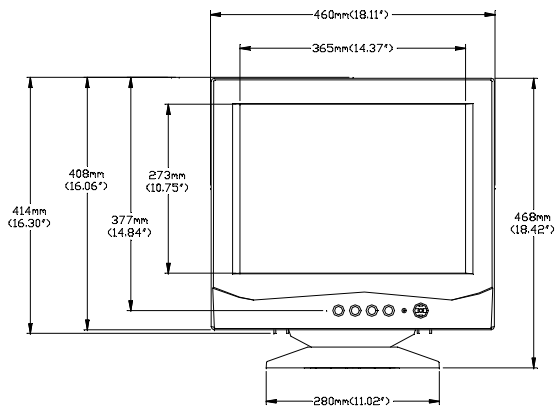
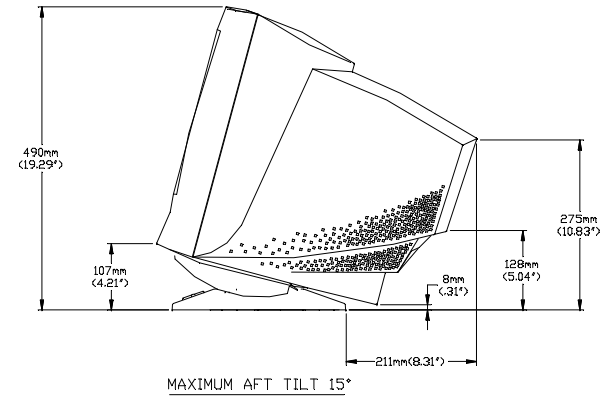
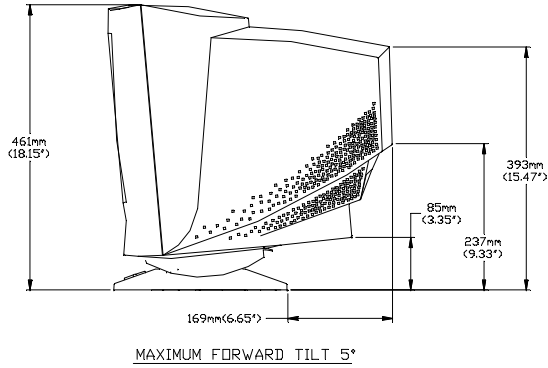
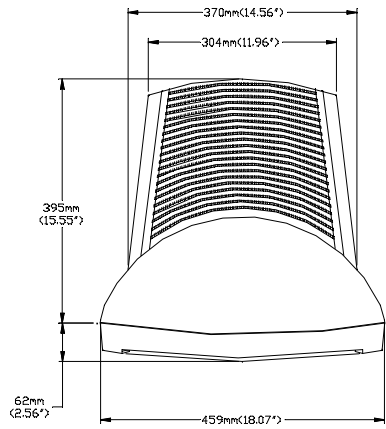


1925C DESKTOP TOUCHMONITOR



DIMENSIONS ARE IN MILLIMETERS/INCHES

PIP NUMBER	PIP DESCRIPTION
467828-000	ET1925C-4SWB-1

