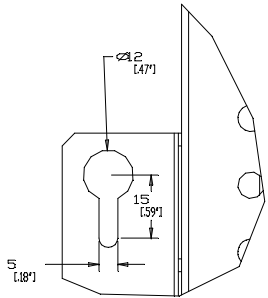
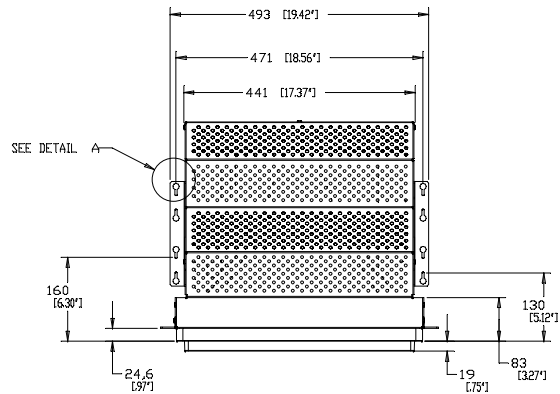


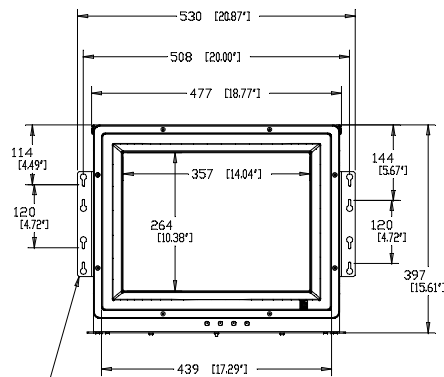
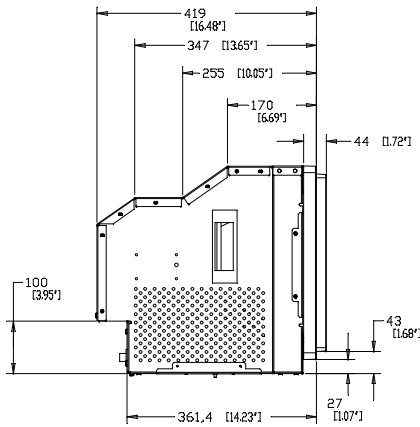
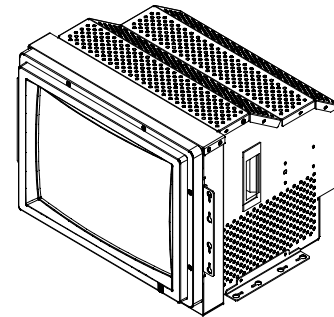
1945C SERIES REAR MOUNT TOUCHMONITOR



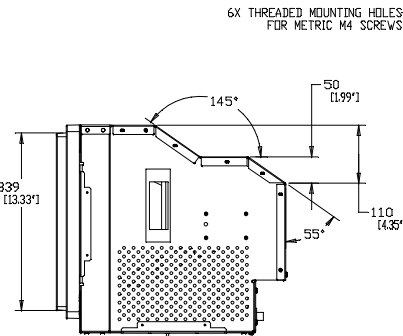
DETAIL A
SCALE 2.000



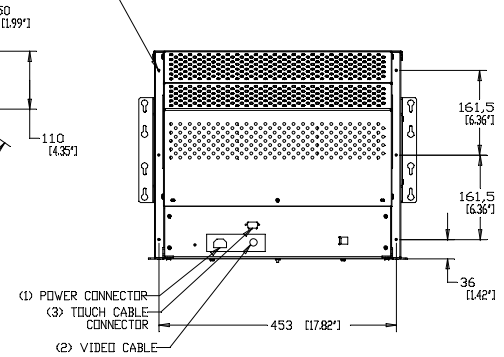
SEE DETAIL A



2X MOUNTING BRACKET
WITH 4X M4 SCREWS
MOUNT TO SIDE OR
BOTTOM OF KIDSK MONITOR



6X THREADED MOUNTING HOLES
FOR METRIC M4 SCREWS



- (1) POWER CONNECTOR
- (3) TOUCH CABLE CONNECTOR
- (2) VIDEO CABLE

ITEM	DESCRIPTION
459284-000	ET1945C-4SWA-1

NOTES

① POWER CONNECTOR

-CONNECTOR BLADE LEFT TO RIGHT:

BLADE	FUNCTION / COLOR
1	AC LINE (BROWN)
2	EARTH GROUND (GREEN)
3	AC NEUTRAL (BLUE)

IEC 320 POWER CONNECTOR
 SUPPLIED WITH 120V POWER CORD
 ORDER 220V POWER CORD FOR EUROPE

② VIDEO CABLE

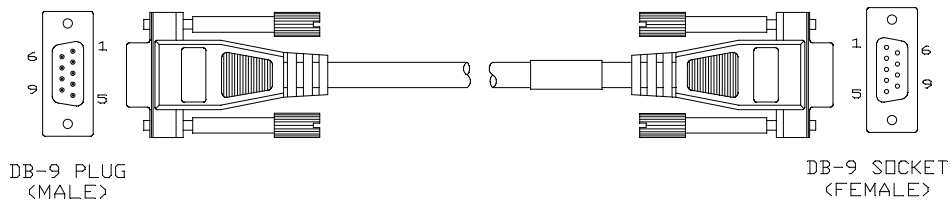
-CONNECTOR PIN-OUT:

PIN #	SIGNAL
1	RED VIDEO
2	GREEN VIDEO
3	BLUE VIDEO
4	DIGITAL GROUND
5	DIGITAL GROUND
6	RED VIDEO RETURN
7	GREEN VIDEO RETURN
8	BLUE VIDEO RETURN
9	NO PIN
10	DIGITAL GROUND
11	DIGITAL GROUND
12	SDA
13	HORIZONTAL SYNC
14	VERTICAL SYNC
15	SCL

-CONNECTOR TYPE :
 MINI D-SUB, 15 PIN FEMALE
 -CABLE LENGTH: 6' (1829mm)

③ TOUCH CABLE: P/N 454173-000

-CONNECTOR TYPE : 9 PIN D-SUB, MALE
 TO 9 PIN D-SUB, FEMALE
 -CABLE LENGTH: 6' (1829mm)



-CONNECTOR PIN-OUT:

PIN #	SIGNAL
1	BCD
2	RXD
3	TXD
4	DTR
5	GRD
6	DSR
7	RT3
8	CT3
9	NC

CONNECTION CHART

DB-9 (MALE)	DB-9 (FEMALE)
SHELL	SHELL
1	1
2	2
3	3
4	4
5	5
6	6
7	7
8	8
9	9