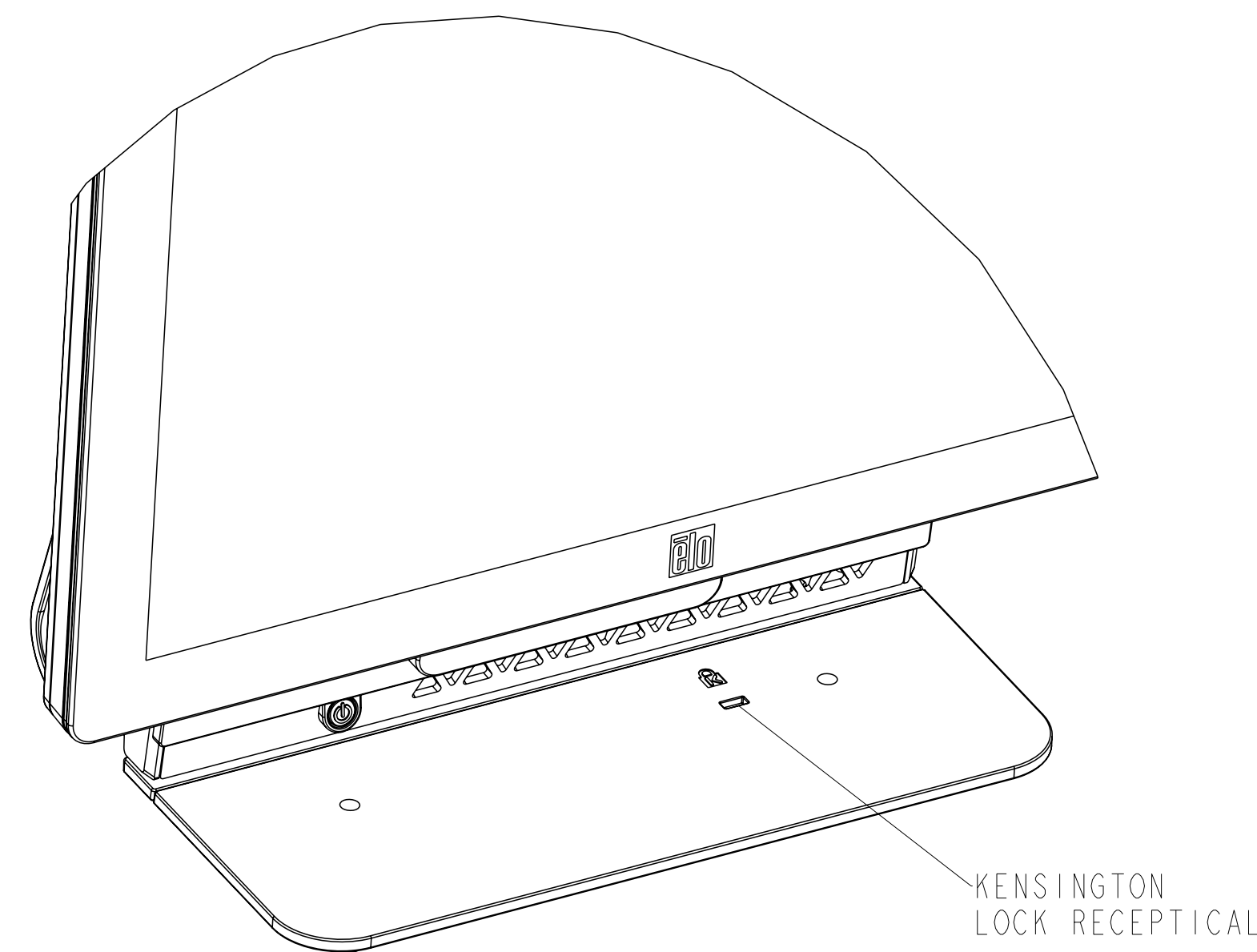
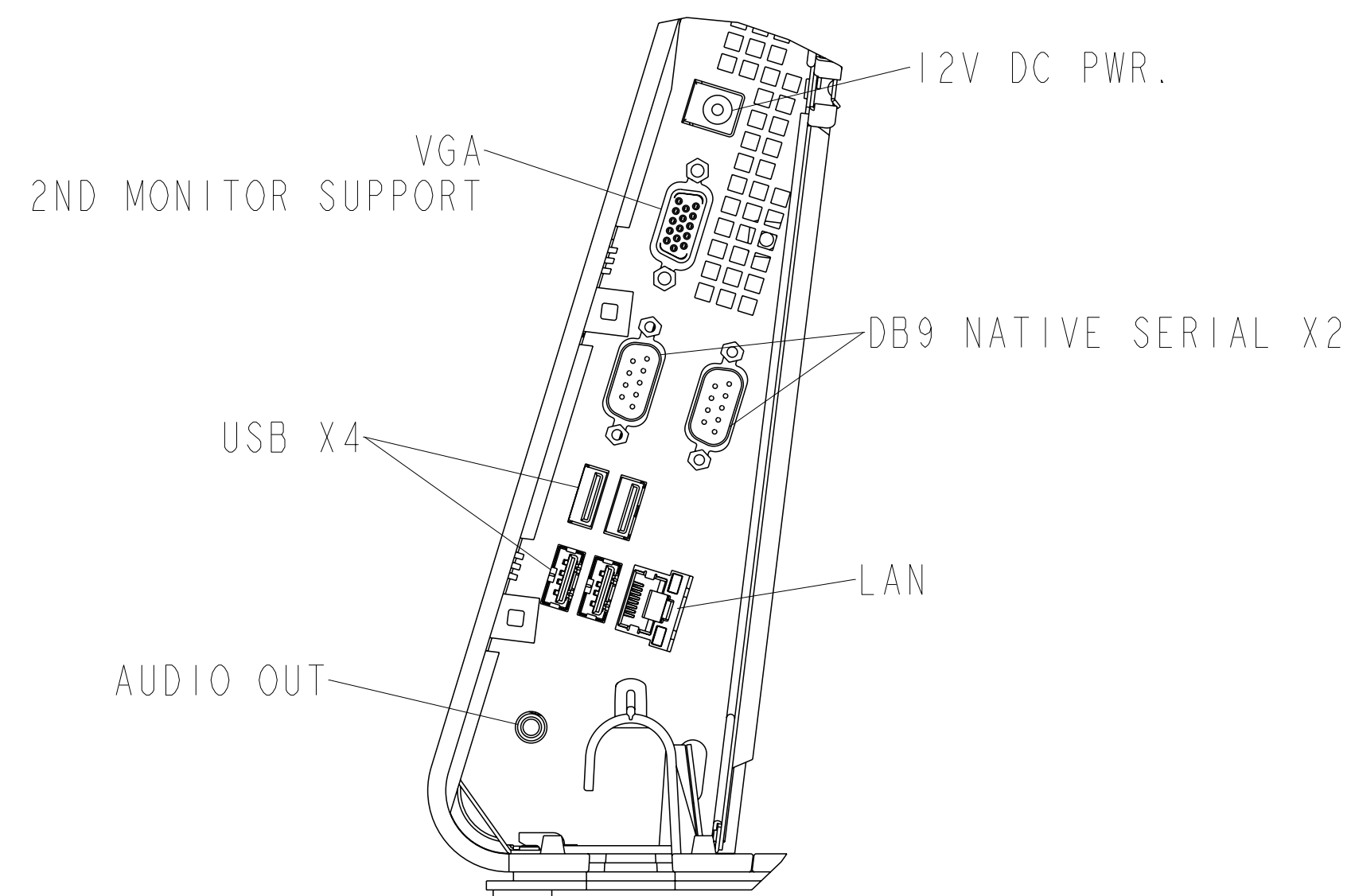
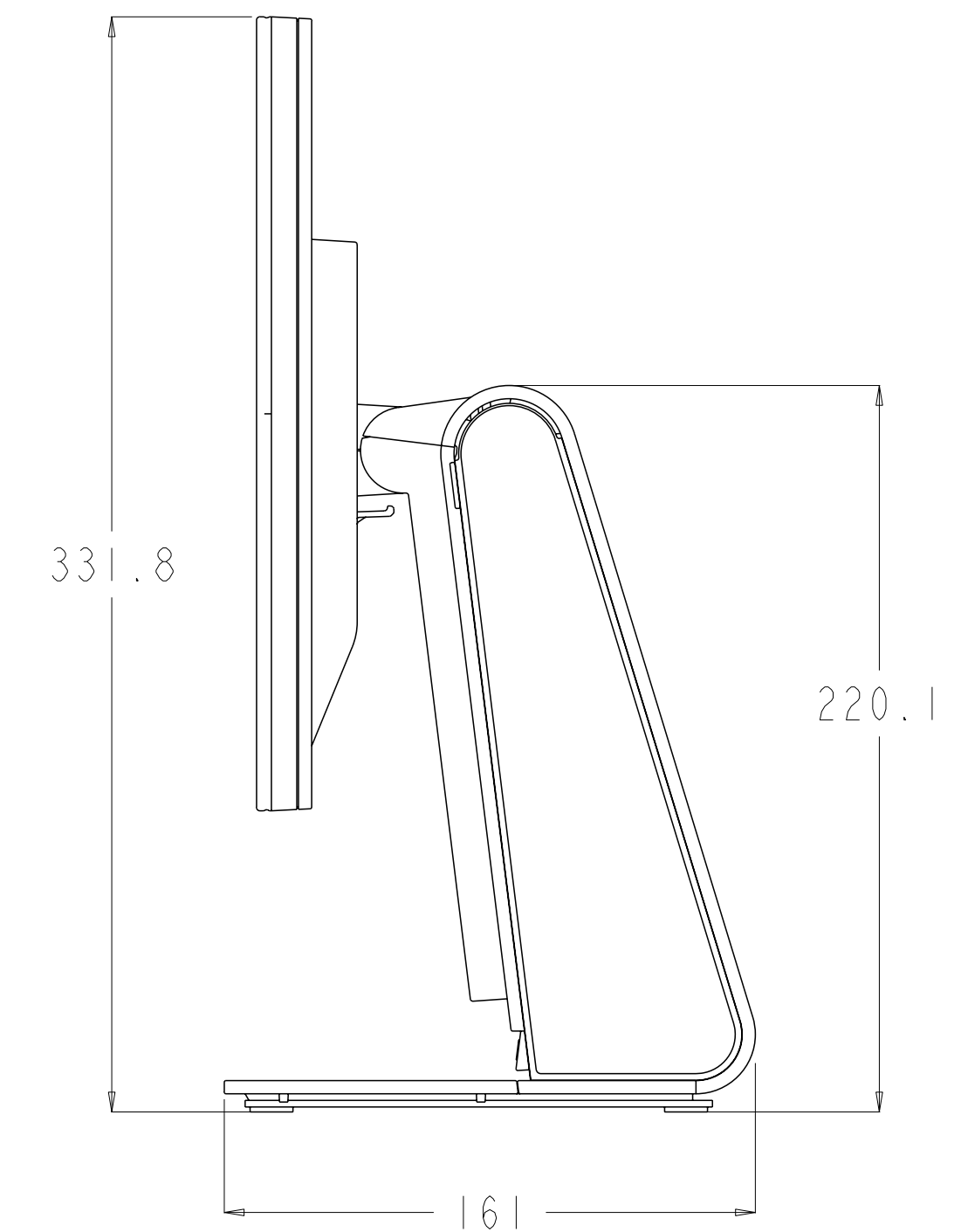
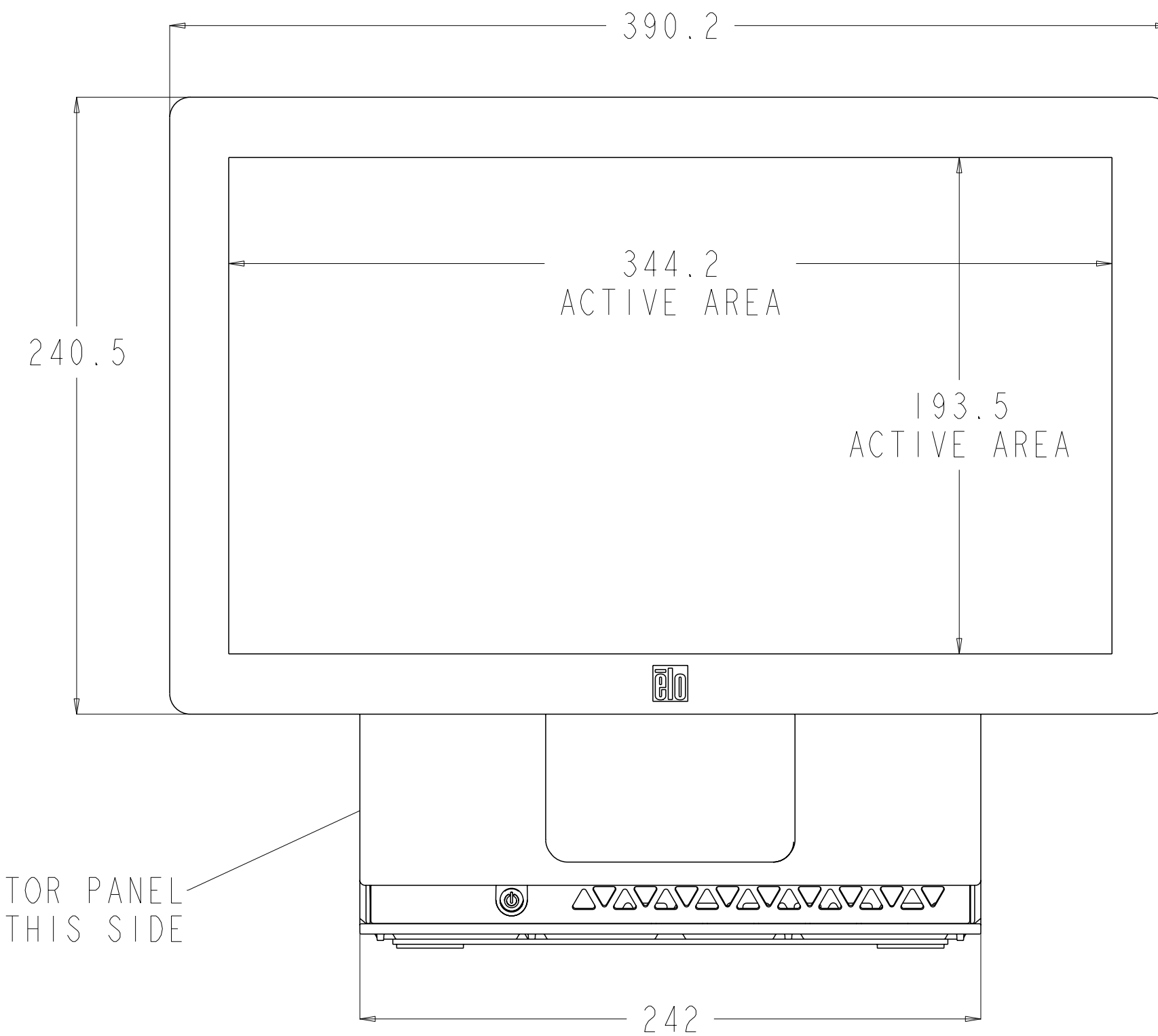
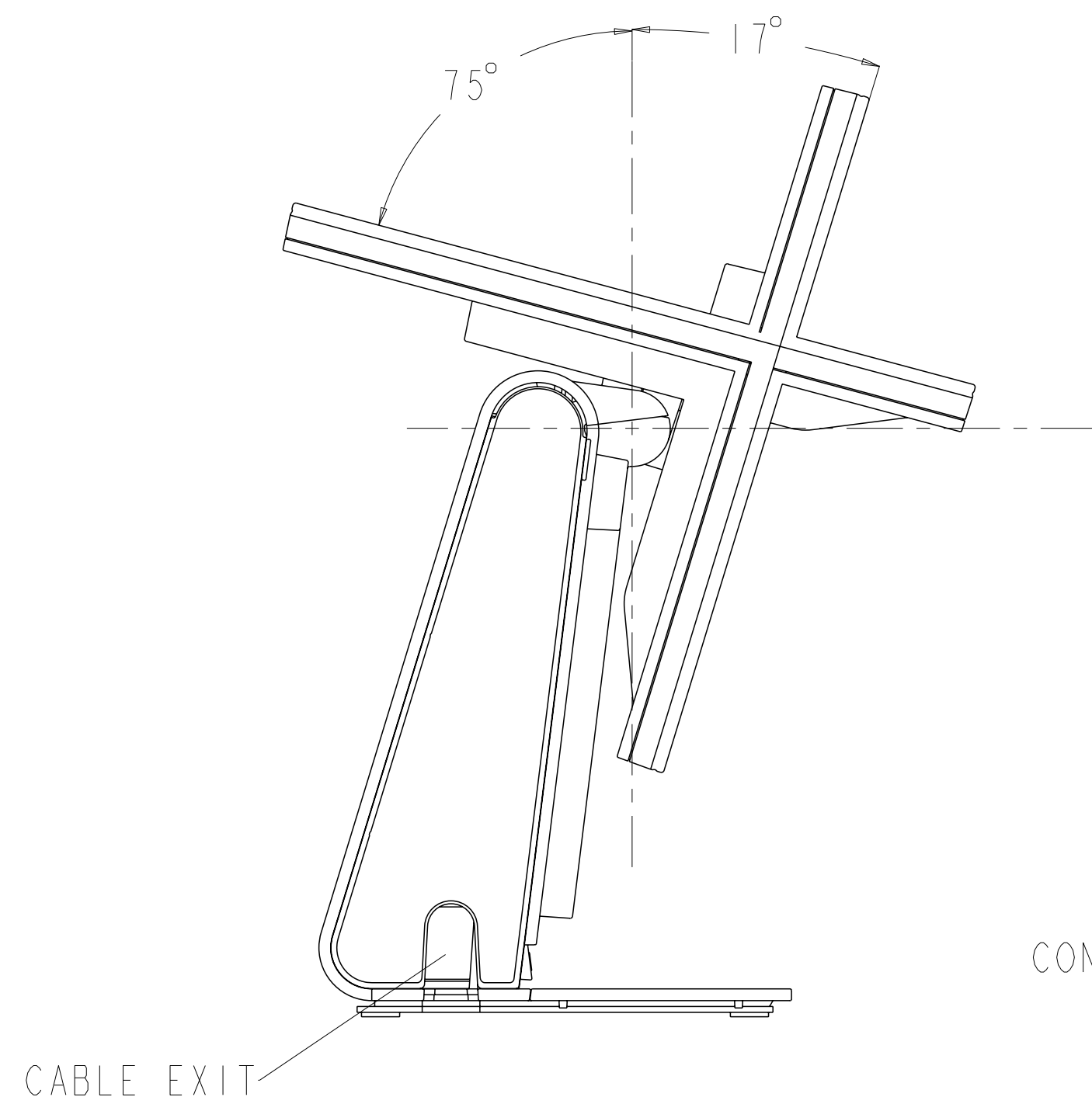
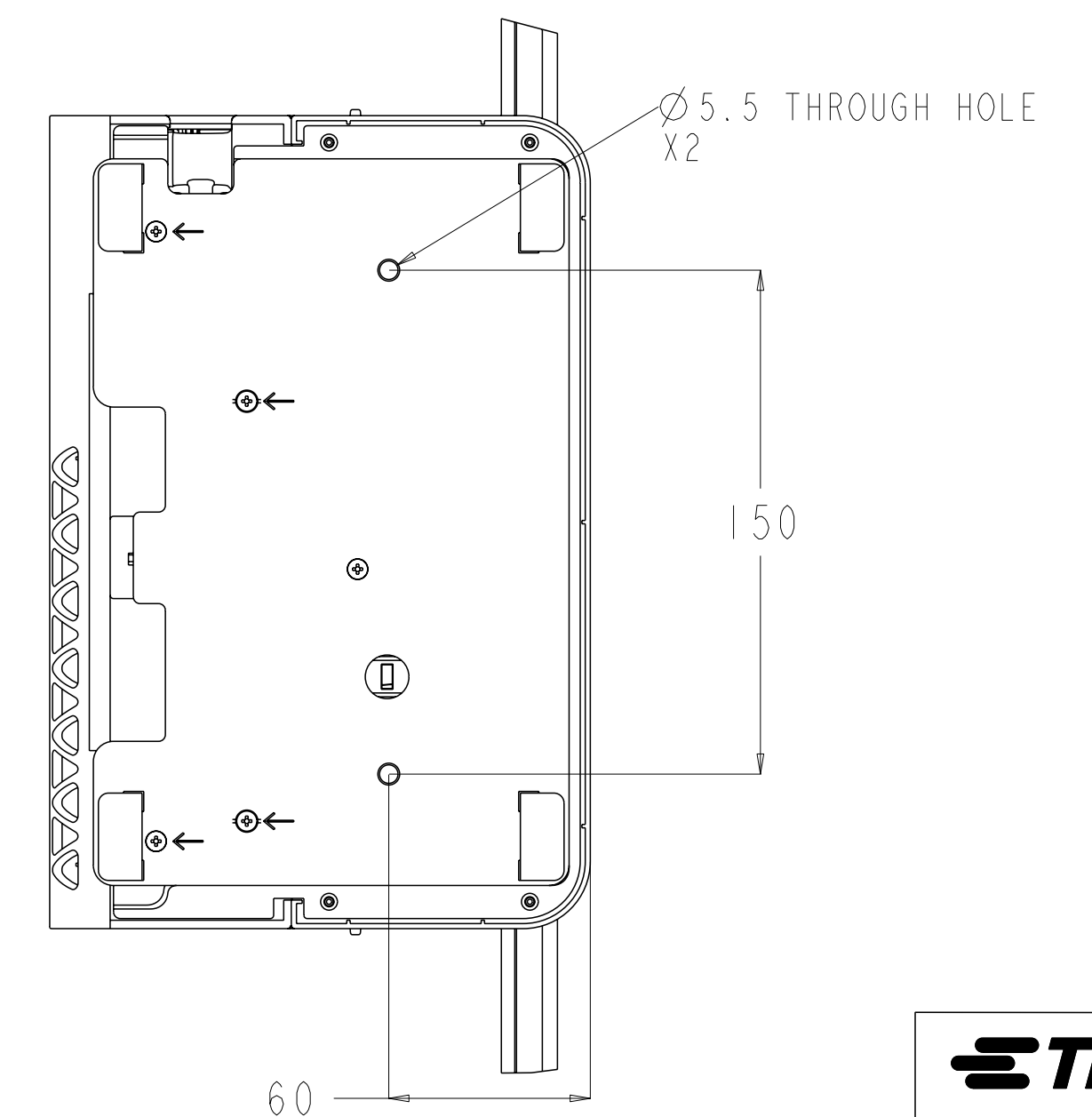


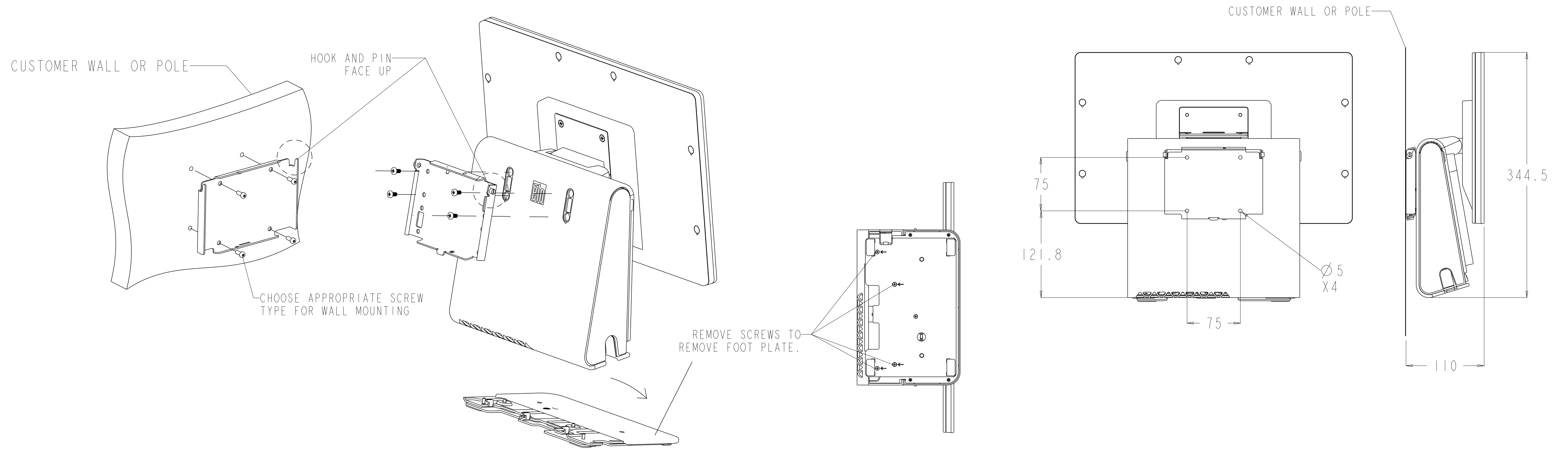
REV	BY	DESCRIPTION	DATE
A	JH	INITIAL RELEASE PER ECO-11-017941	09/01/11



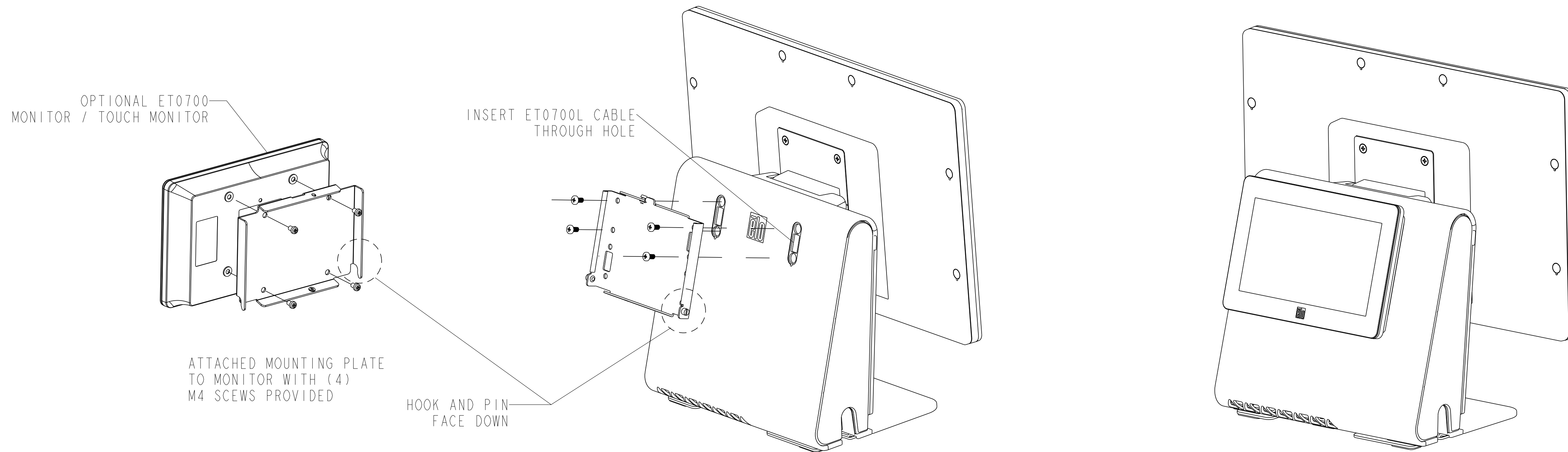
MOUNTING HOLES AVAILABLE



WALL / POLE MOUNT WITH PROVIDED BRACKET ASSEMBLY

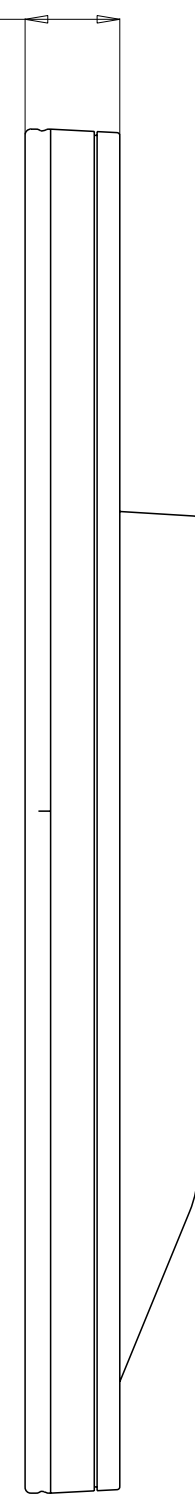


2ND MONITOR MOUNT WITH PROVIDED BRACKET ASSEMBLY



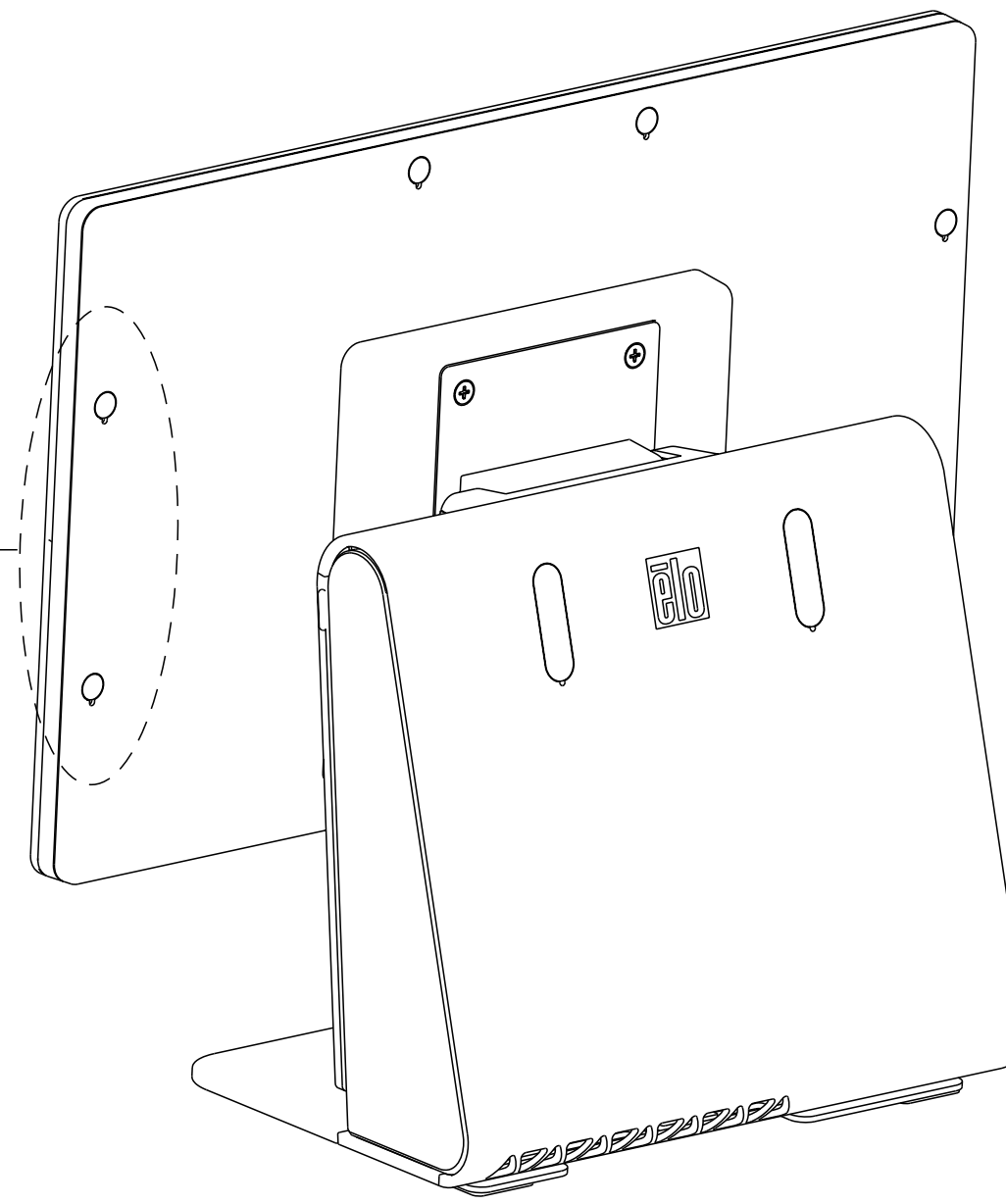
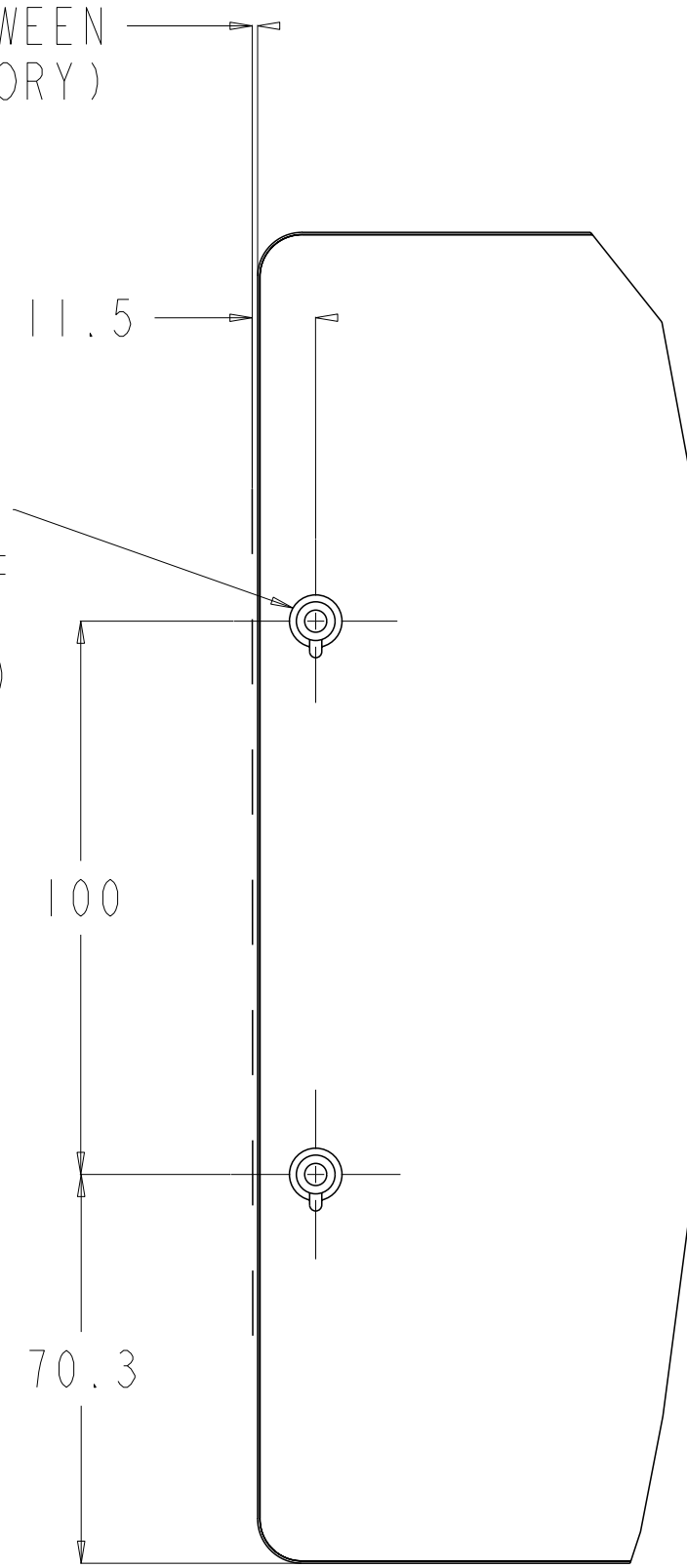
**ACCESSORY MOUNTING DETAILS:**

16.7  
(DISPLAY THICKNESS)



(1 MIN. GAP BETWEEN  
GLASS EDGE AND ACCESSORY)

M3 MOUNT HOLES: SCREW LENGTH  
(MINUS THICKNESS OF ACCESSORY) =  
8mm FROM MOUNTING SURFACE MIN.,  
11mm MAX (X2)



**ACCESSORY CABLE ROUTING DETAILS:**

