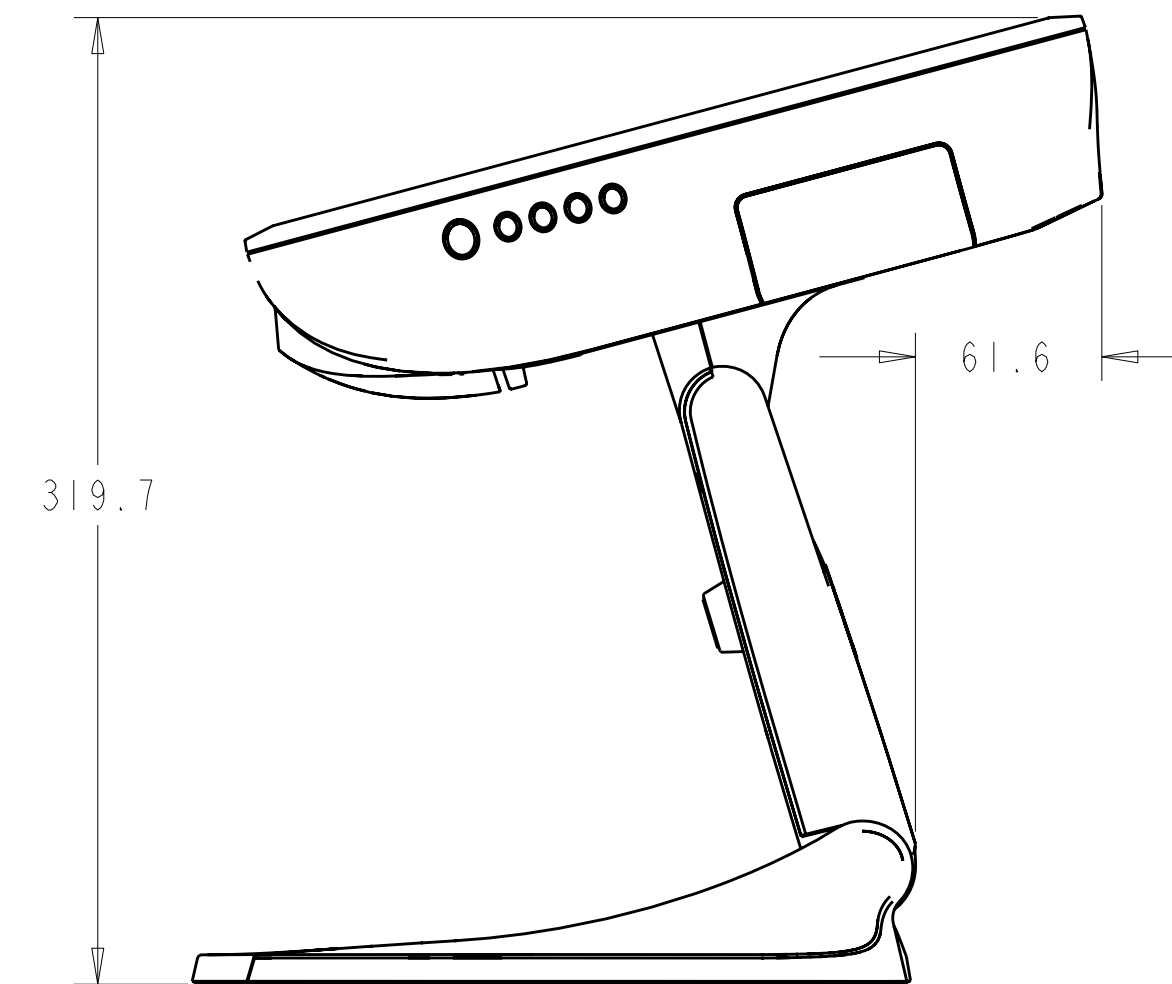
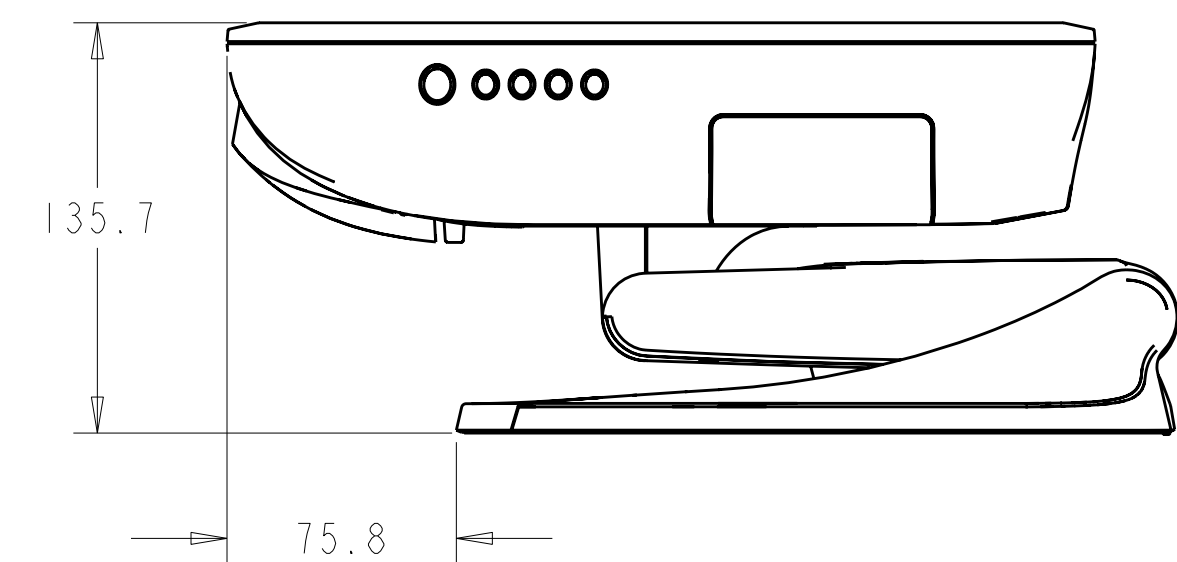


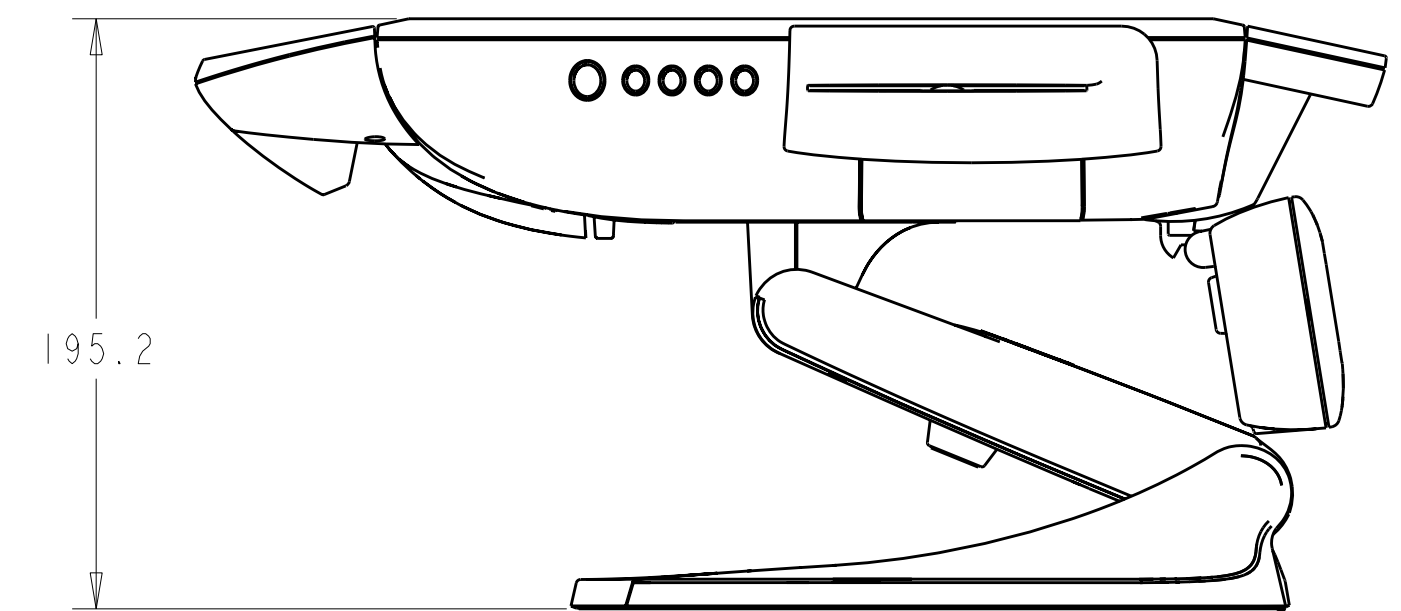
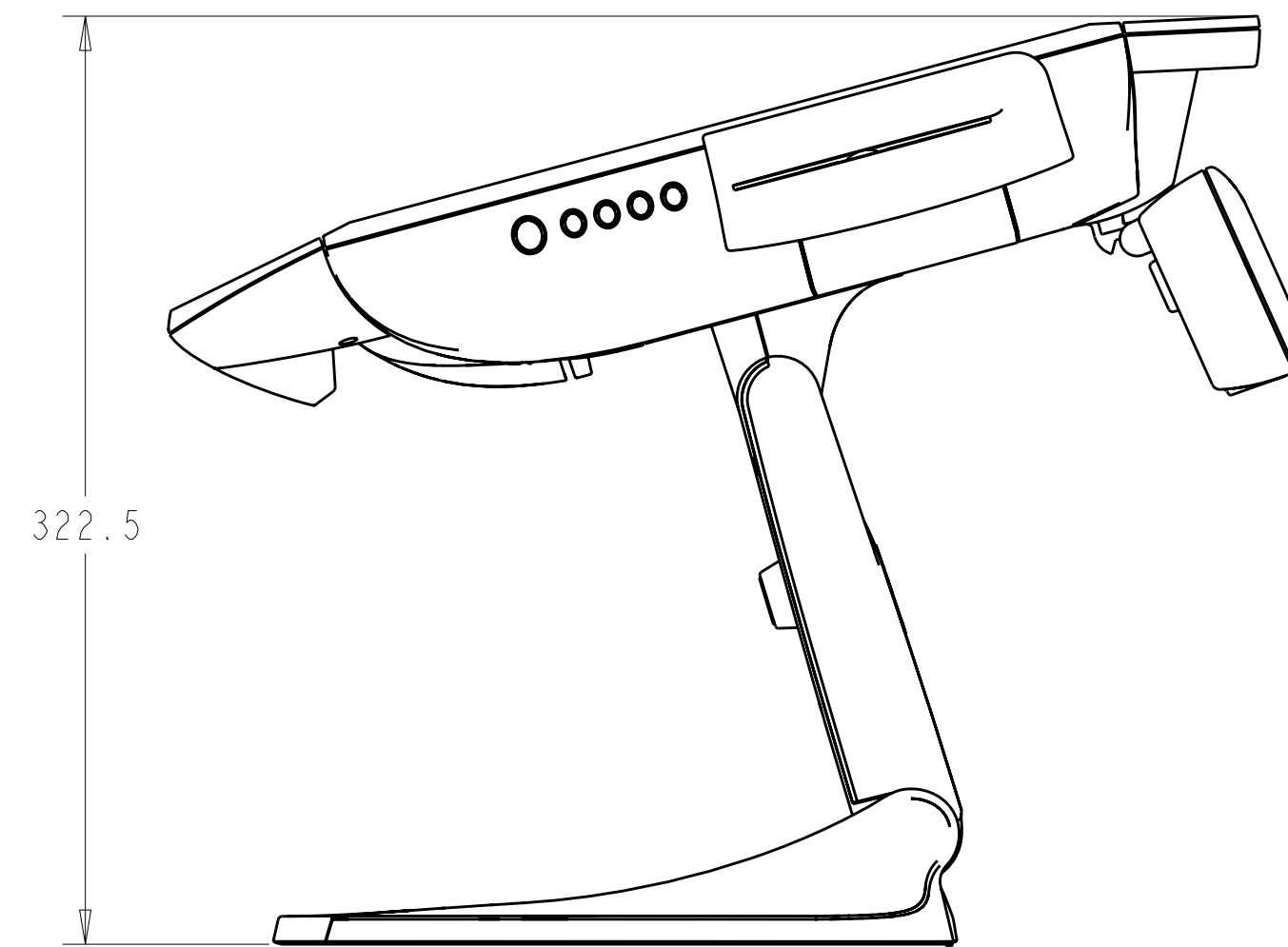
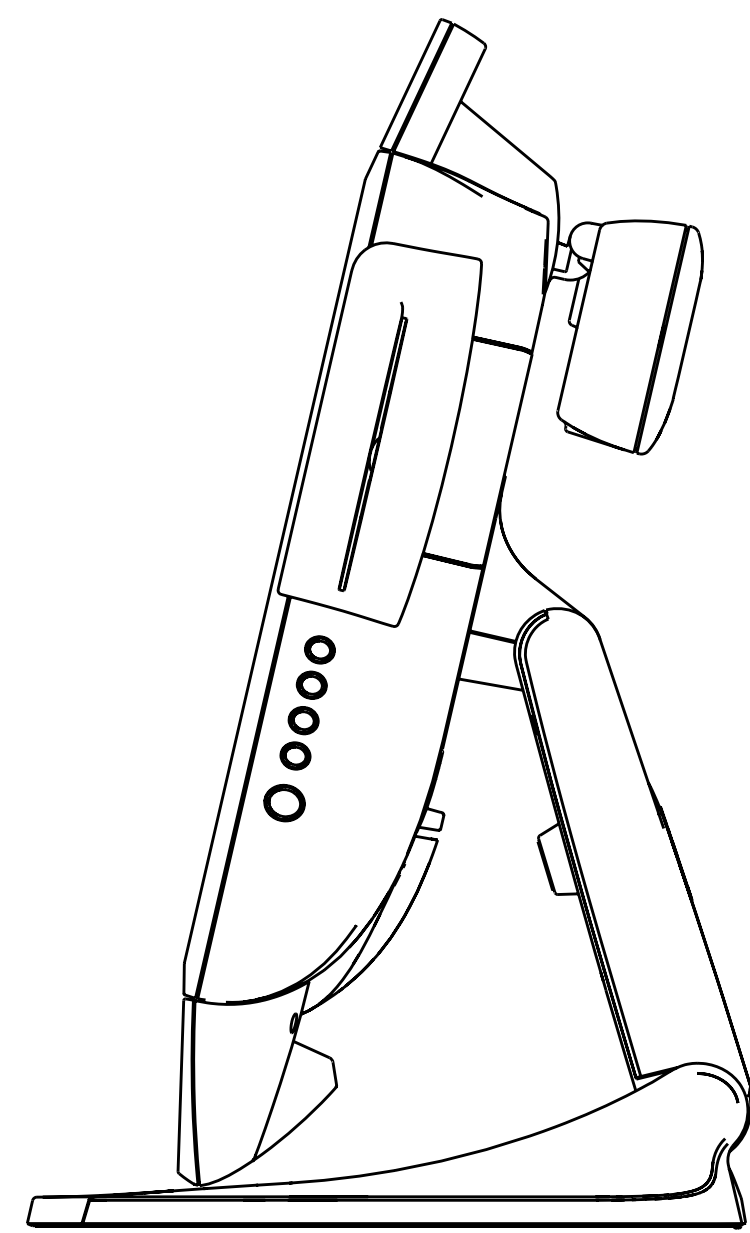
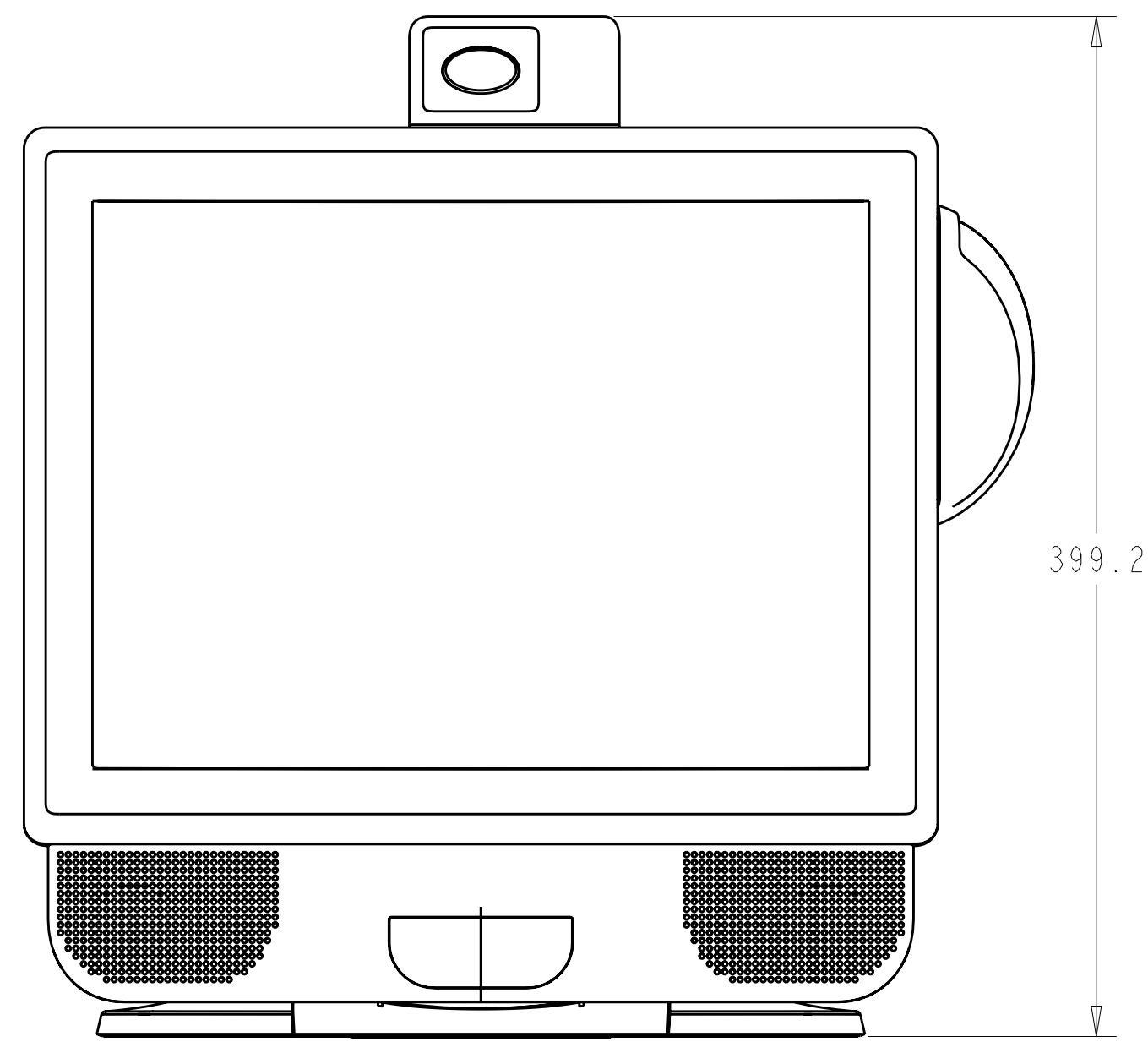
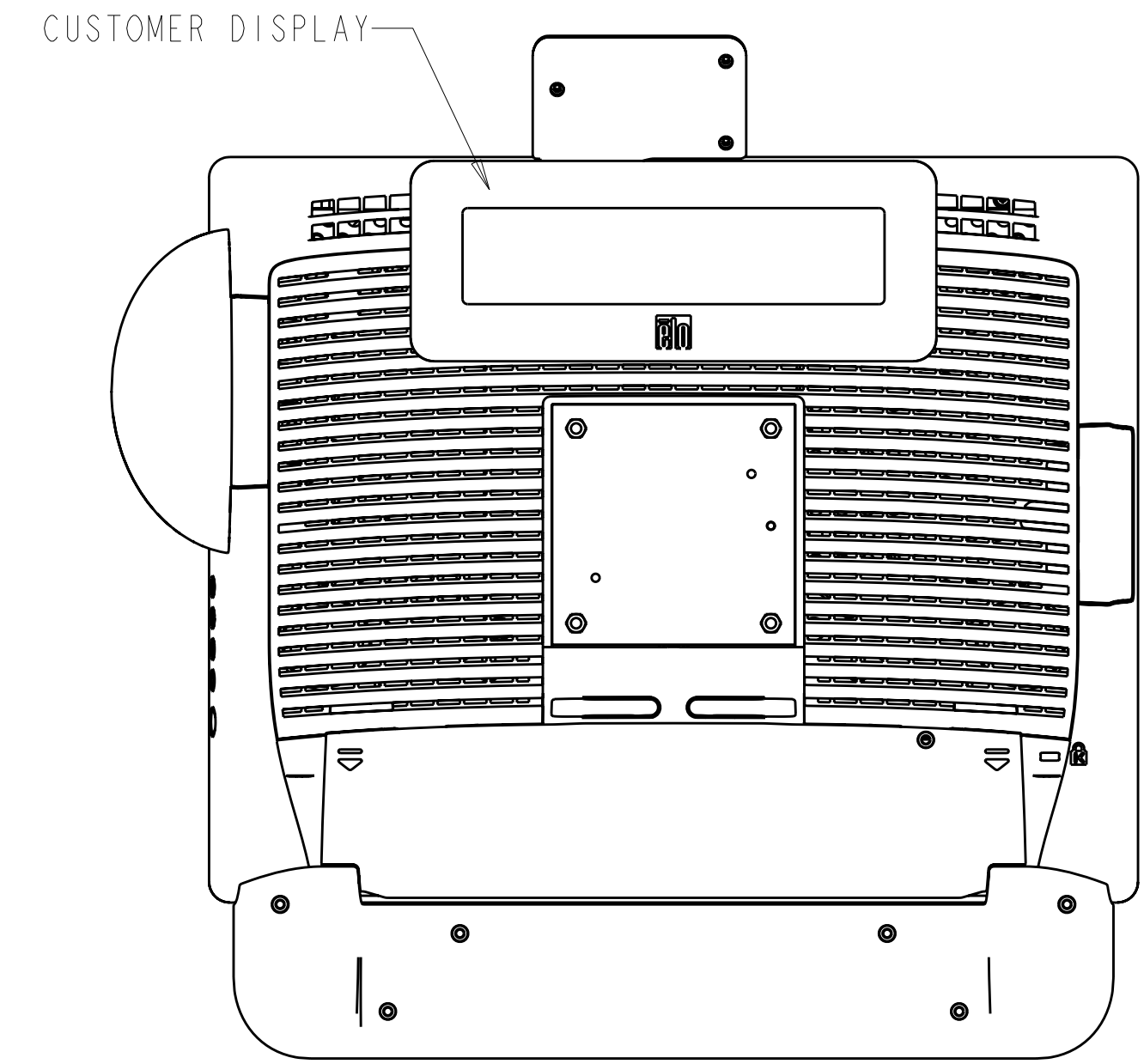
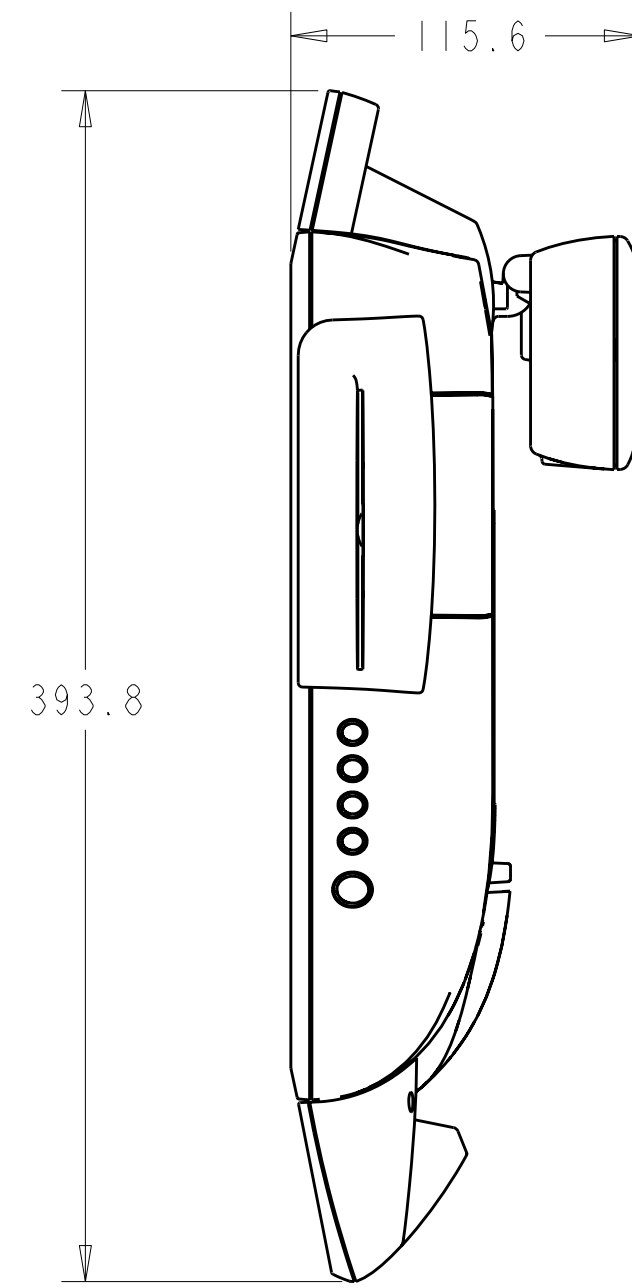
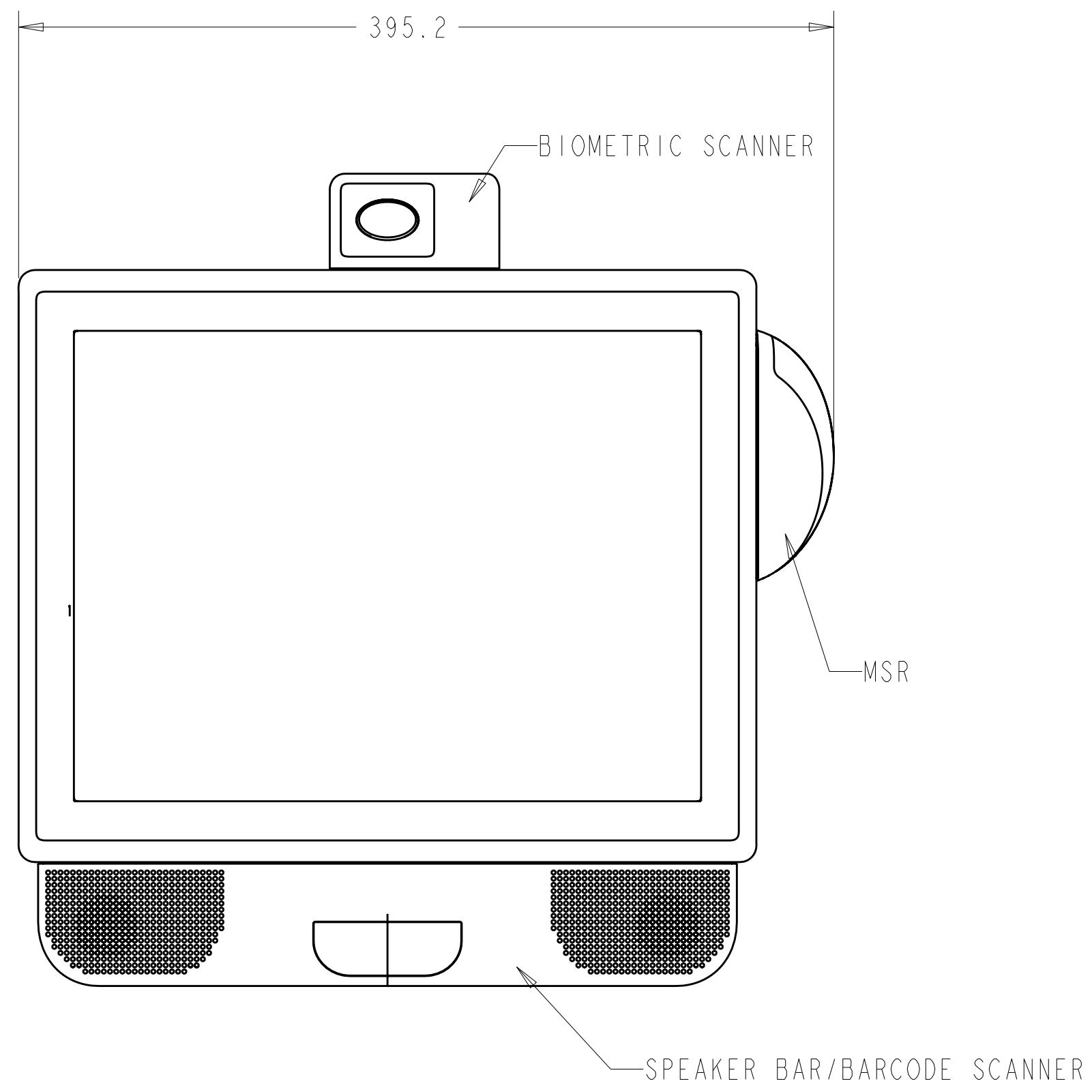
TILT -5° FROM VERTICAL

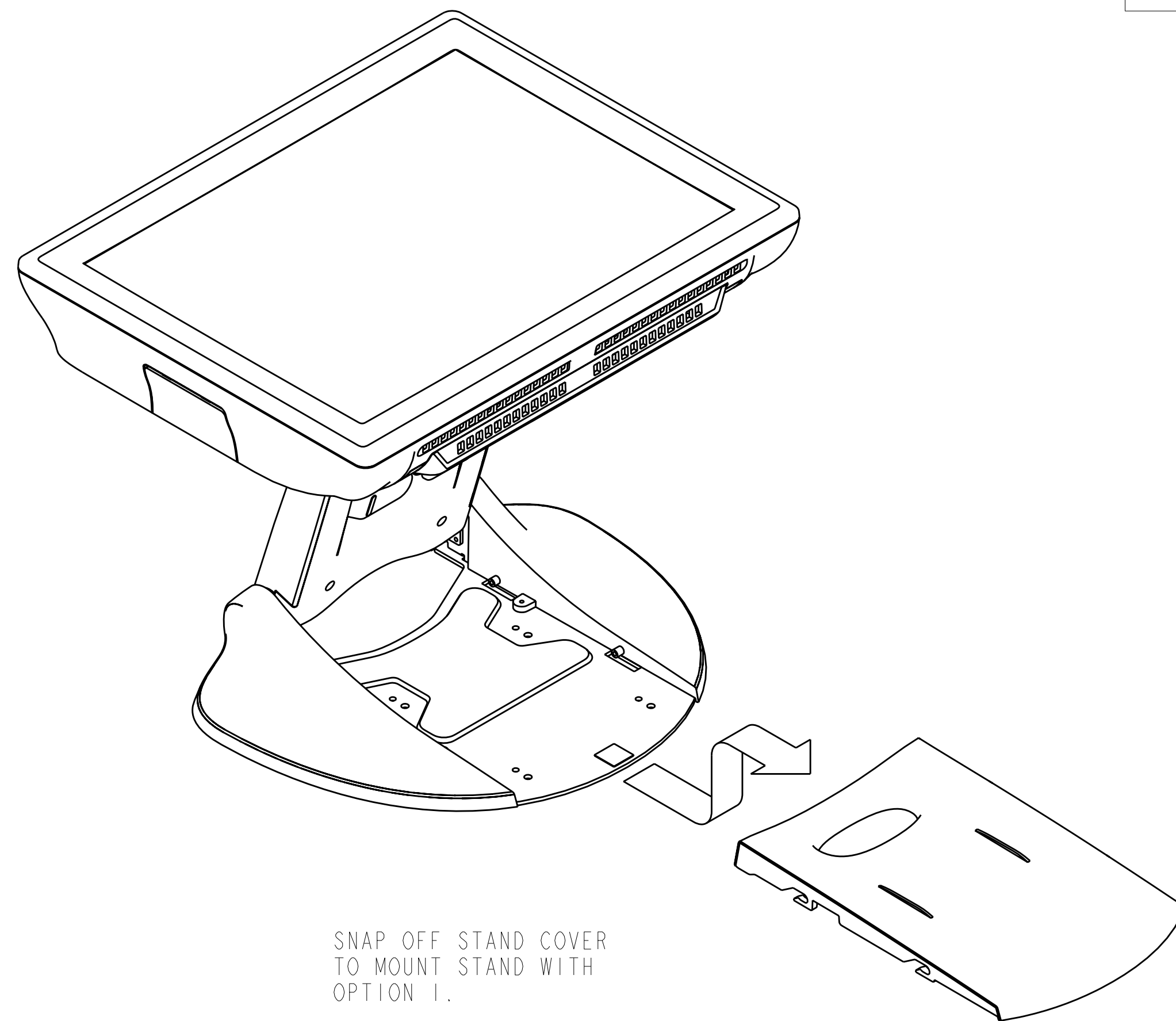


TILT 75° FROM VERTICAL



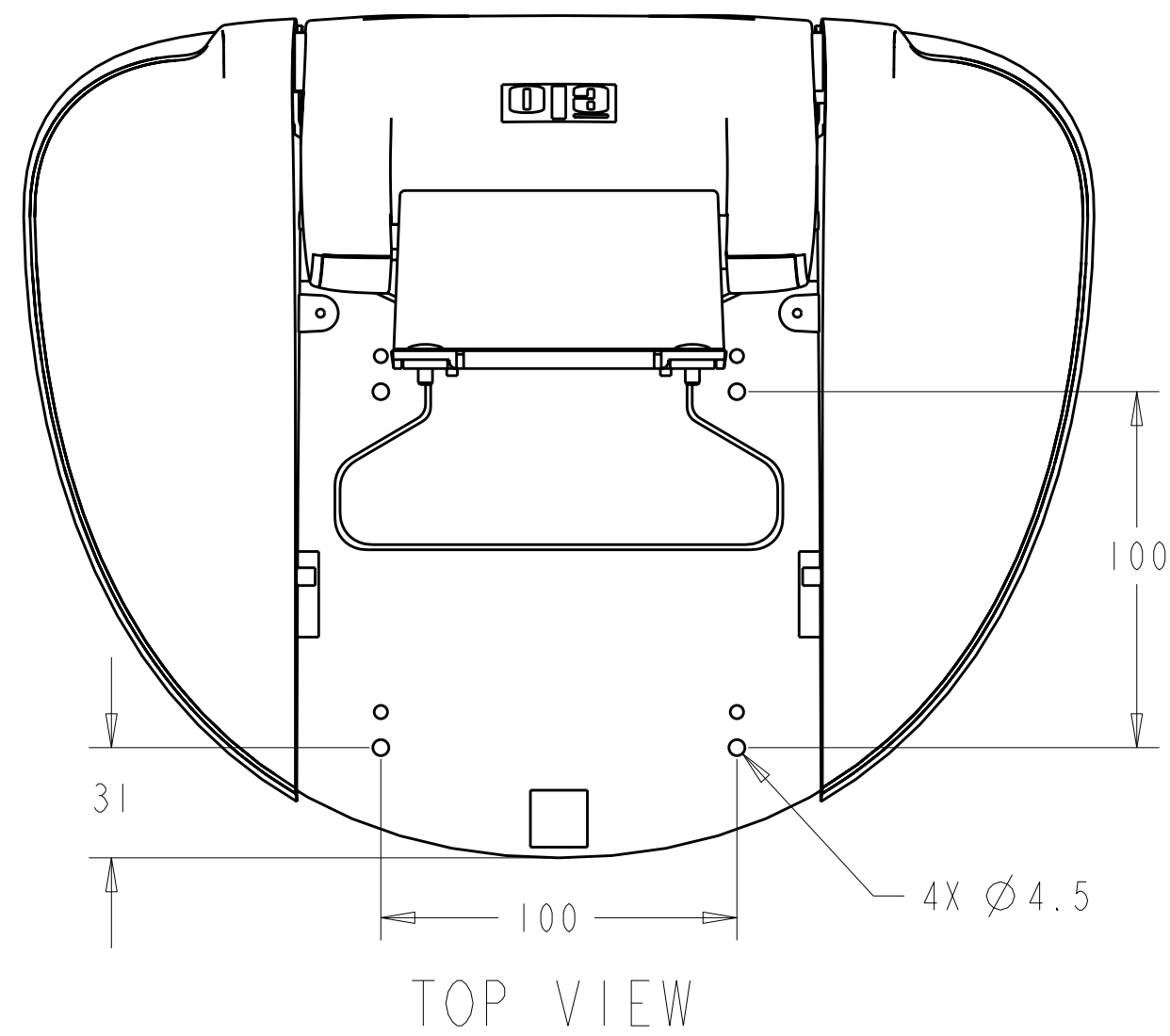
MONITOR FULLY COLLAPSED





SNAP OFF STAND COVER
TO MOUNT STAND WITH
OPTION 1.

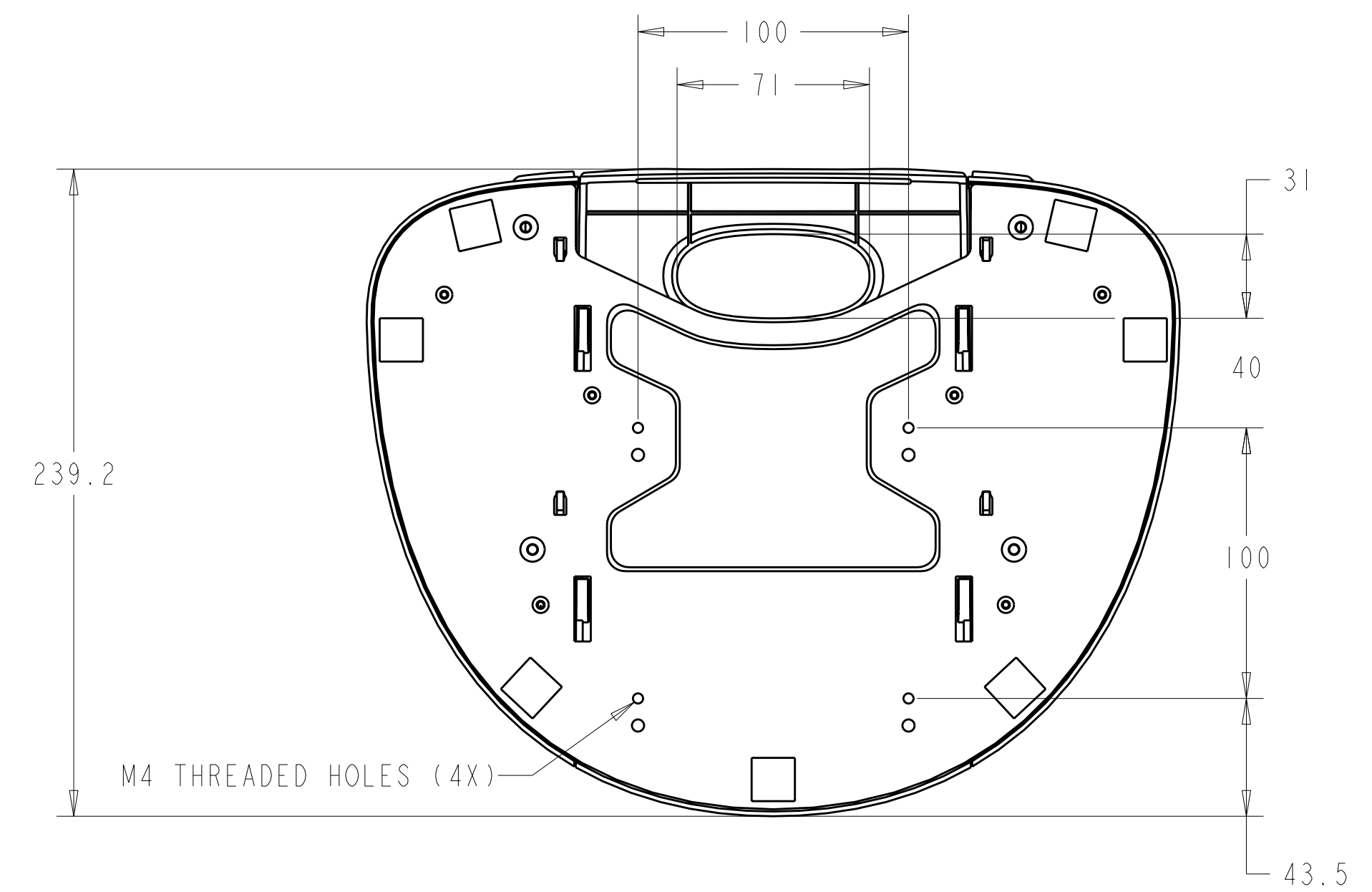
MOUNT OPTION 1



TOP VIEW

DIMENSIONS ARE IN MILLIMETERS

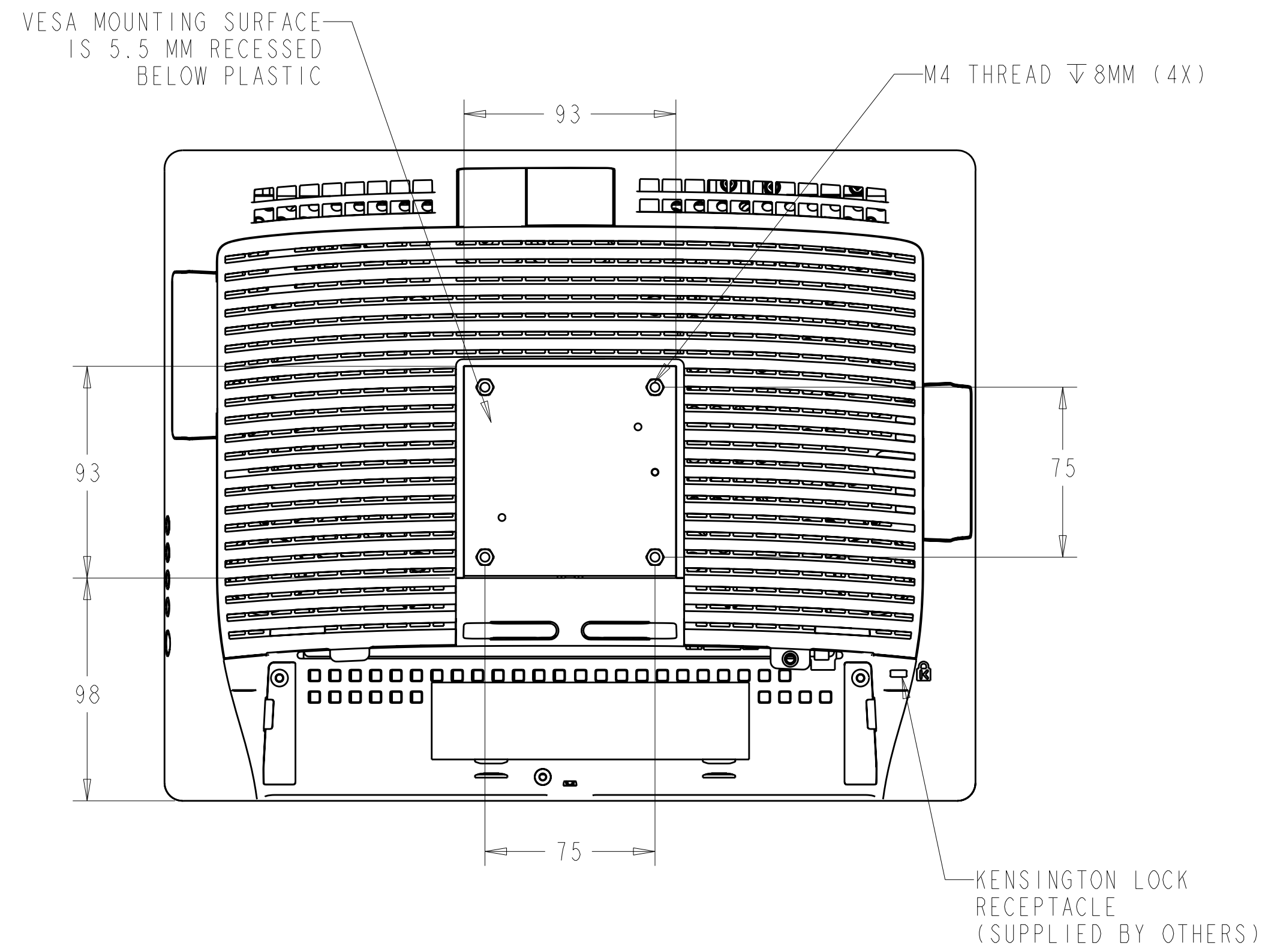
MOUNT OPTION 2



M4 THREADED HOLES (4X)

BOTTOM VIEW

VESA MOUNT



CONNECTOR PANEL

